



US00D572401S

(12) **United States Design Patent**
Chandler

(10) **Patent No.:** **US D572,401 S**
(45) **Date of Patent:** **** Jul. 1, 2008**

(54) **LAMP**

(75) Inventor: **George Chandler**, Hubbardton, VT (US)

(73) Assignee: **Hubbardton Forge, LLC**, Castleton, VT (US)

(**) Term: **14 Years**

(21) Appl. No.: **29/283,973**

(22) Filed: **Aug. 28, 2007**

(51) **LOC (8) Cl.** **26-03**

(52) **U.S. Cl.** **D26/87**

(58) **Field of Classification Search** D26/72,
D26/85-87, 92, 118; 362/147, 432, 806,
362/351, 355, 356, 363, 370

See application file for complete search history.

(56) **References Cited**

U.S. PATENT DOCUMENTS

D69,270 S *	1/1926	Gruber	D26/87
D71,141 S *	9/1926	Friedman	D26/87
D448,881 S *	10/2001	Lin	D26/87
D522,164 S *	5/2006	Trivino et al.	D26/71
D532,146 S *	11/2006	Crosby	D26/118
D535,427 S *	1/2007	Chandler	D26/87
D536,821 S *	2/2007	Dolan	D26/87

D537,189 S * 2/2007 Zhang D26/87

OTHER PUBLICATIONS

Wall Sconces #20-5910-05-B412 and #20-5910-05-C412 from the Hubbardton Forge 2005 Catalog.*

Wall Sconce #OL2201 from the Lighthouse Collection in the Murray-Feiss 2004 Edition of the "Big Book" catalog.*

* cited by examiner

Primary Examiner—Clare E Heflin

(74) *Attorney, Agent, or Firm*—Bourque and Associates

(57) **CLAIM**

The ornamental design for a lamp, as shown and described.

DESCRIPTION

FIG. 1 is a perspective view of the lamp according to the present invention;

FIG. 2 is a front elevation view thereof;

FIG. 3 is a rear elevation view thereof;

FIG. 4 is a right side elevation view thereof;

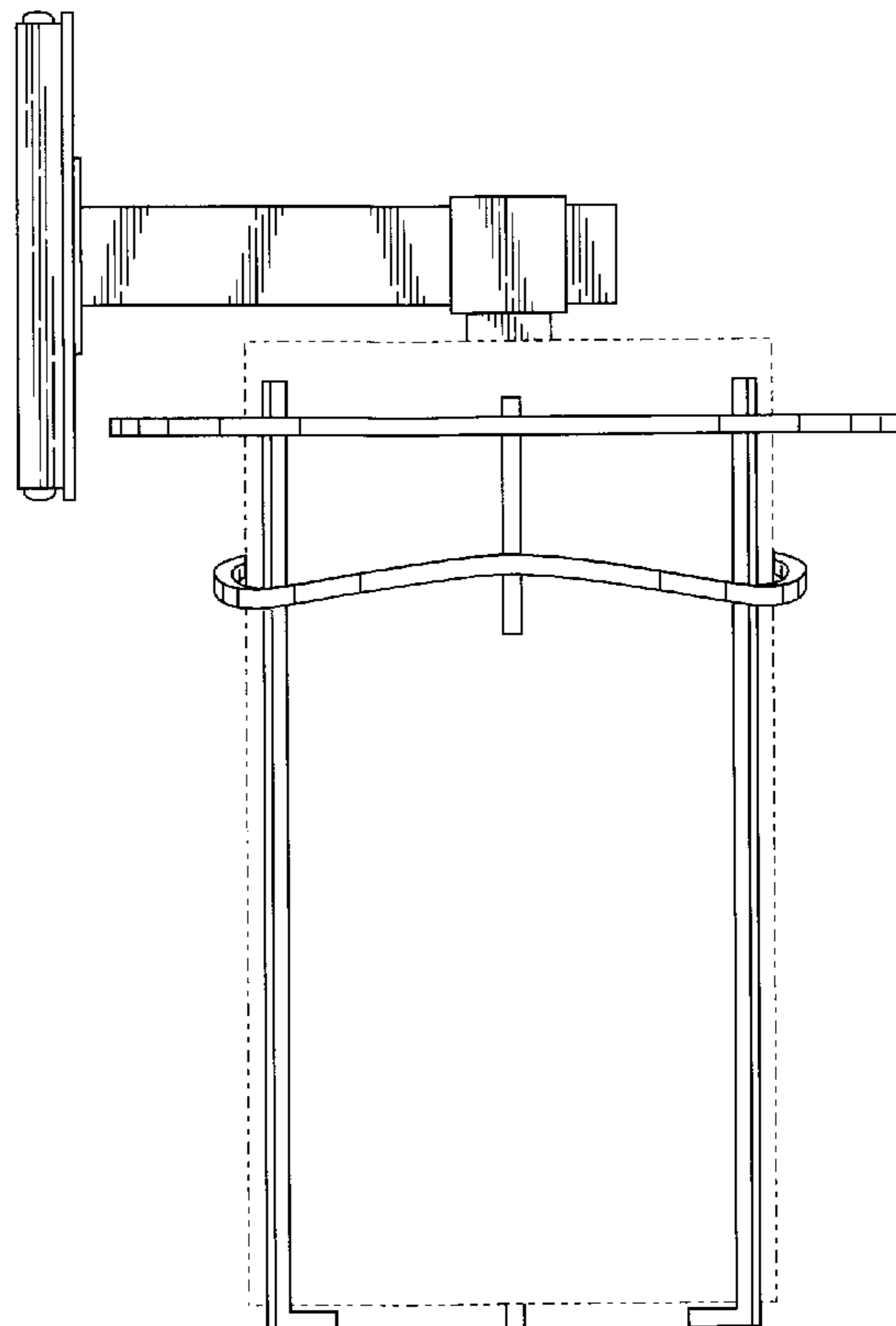
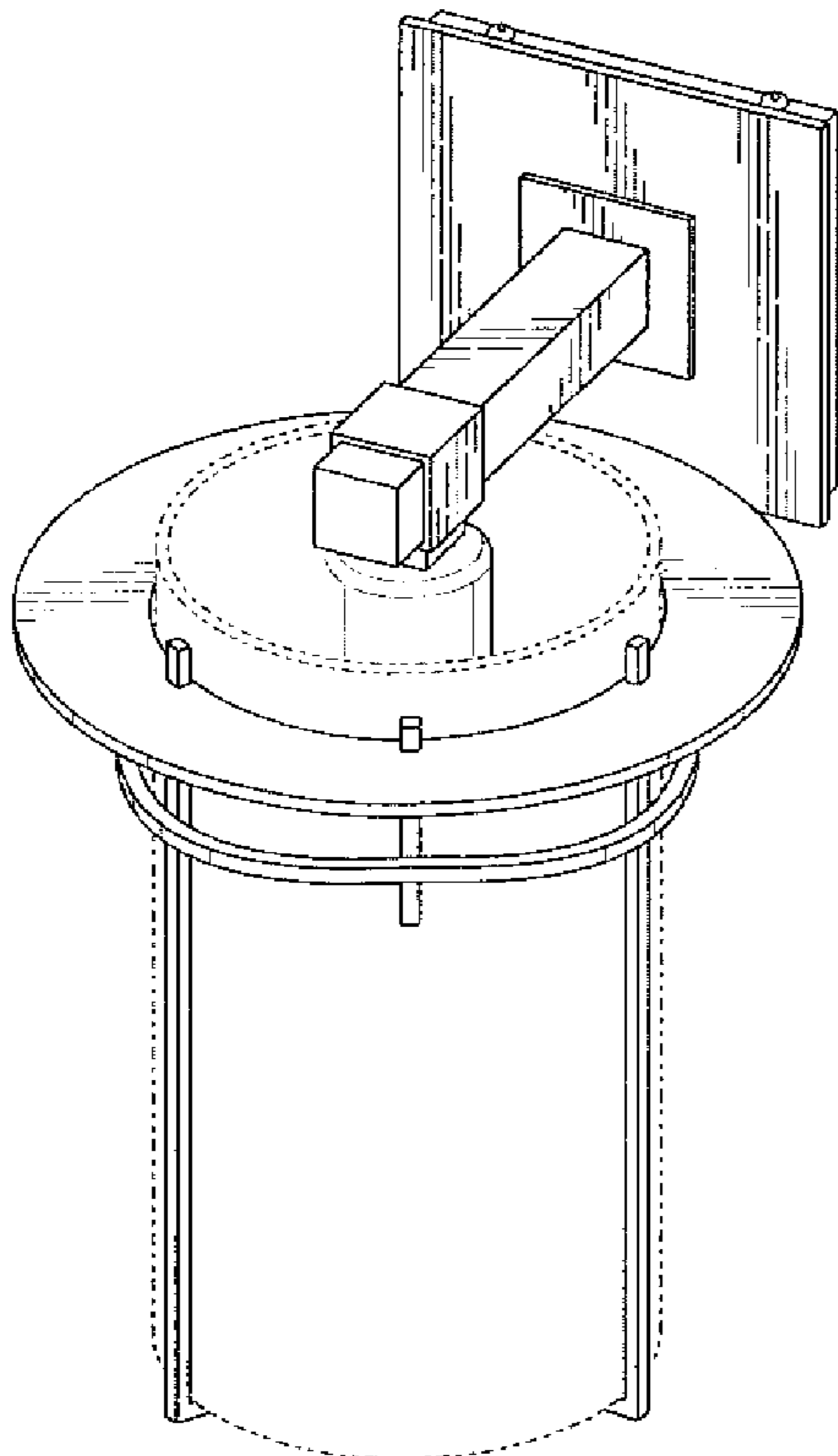
FIG. 5 is a left side elevation view thereof;

FIG. 6 is a top plan view thereof; and,

FIG. 7 is a bottom plan view thereof.

The broken lines shown are for illustrative purposes only and form no part of the claimed design.

1 Claim, 6 Drawing Sheets



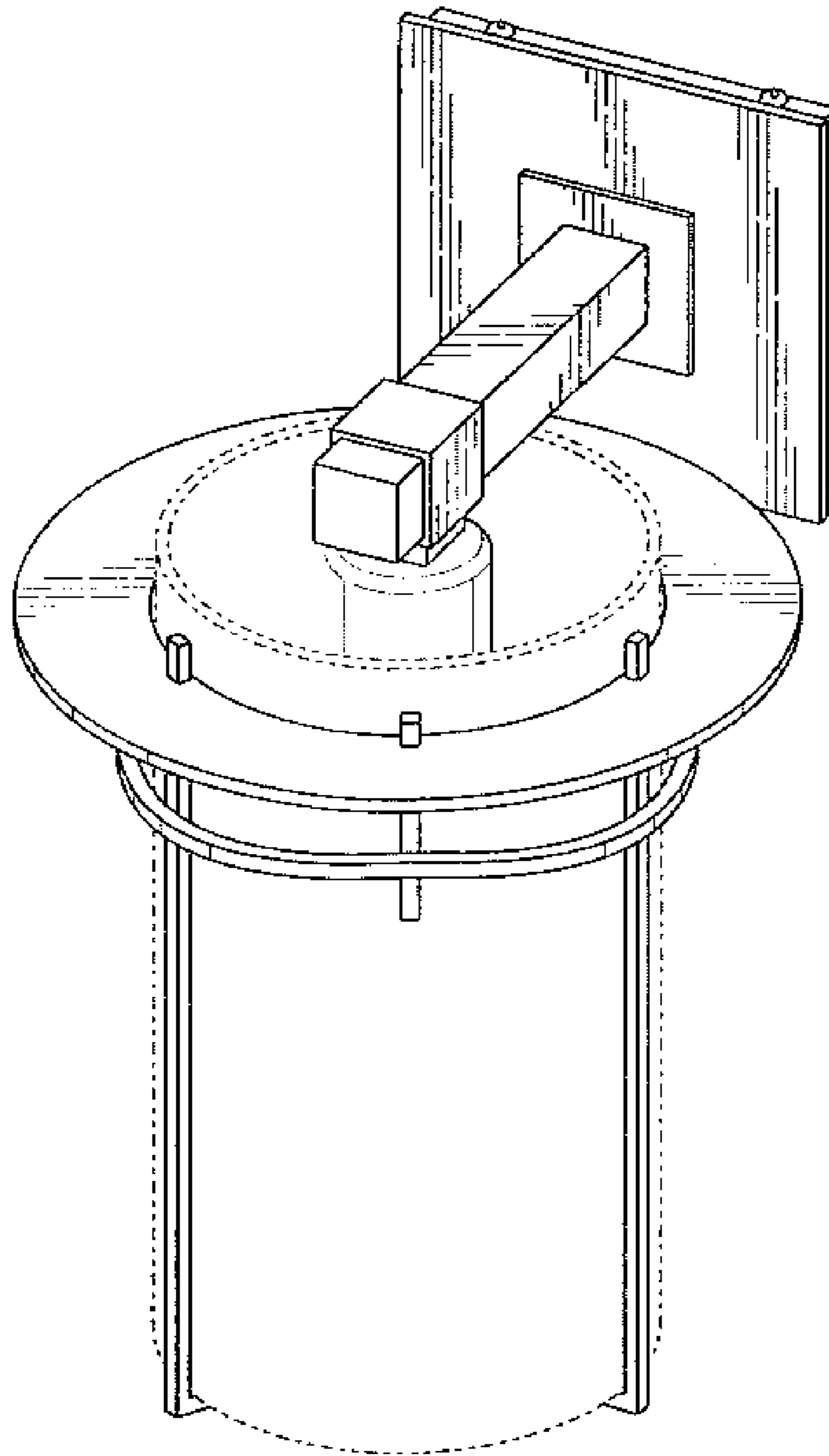


FIG. 1

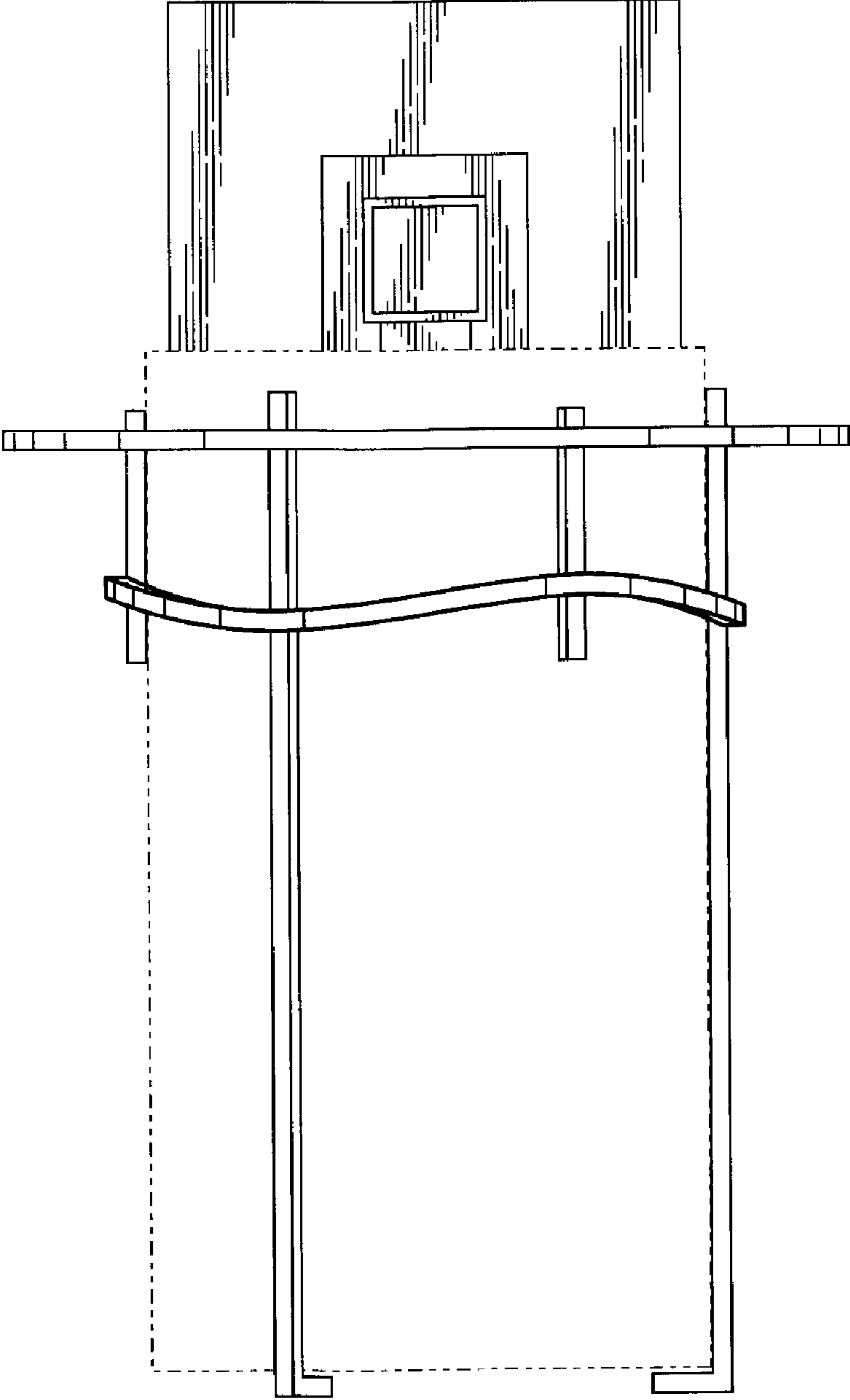


FIG. 2

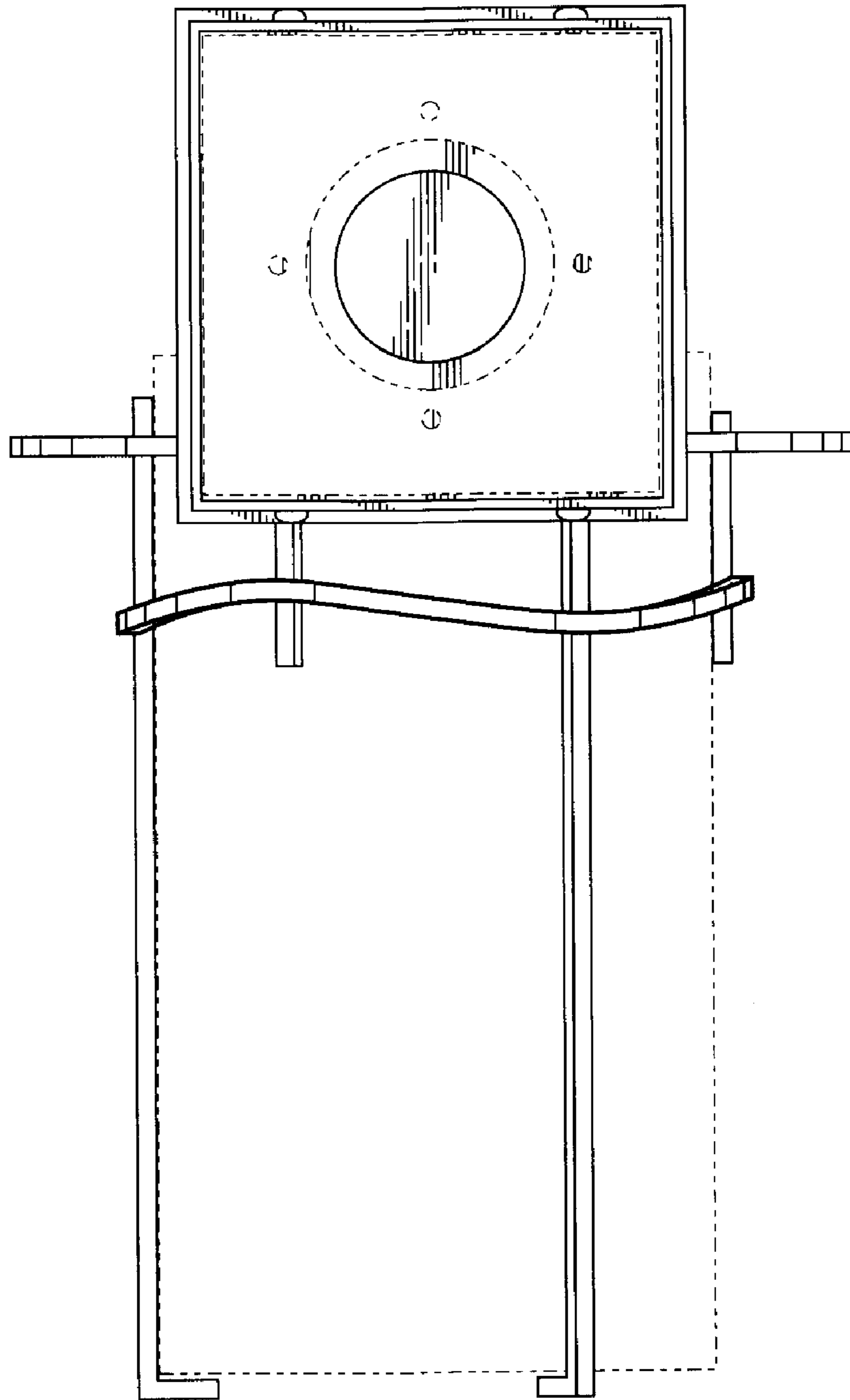


FIG. 3

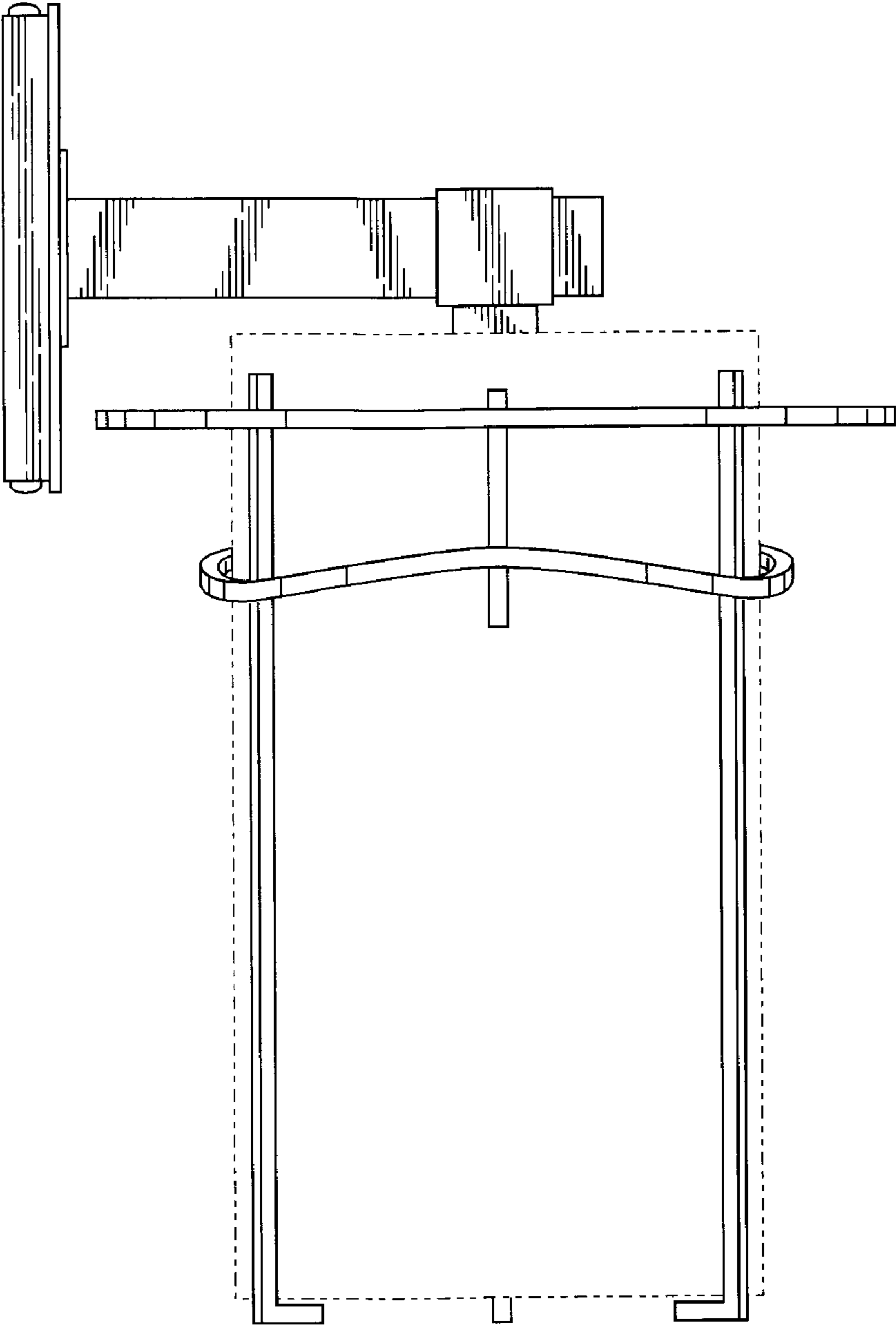


FIG. 4

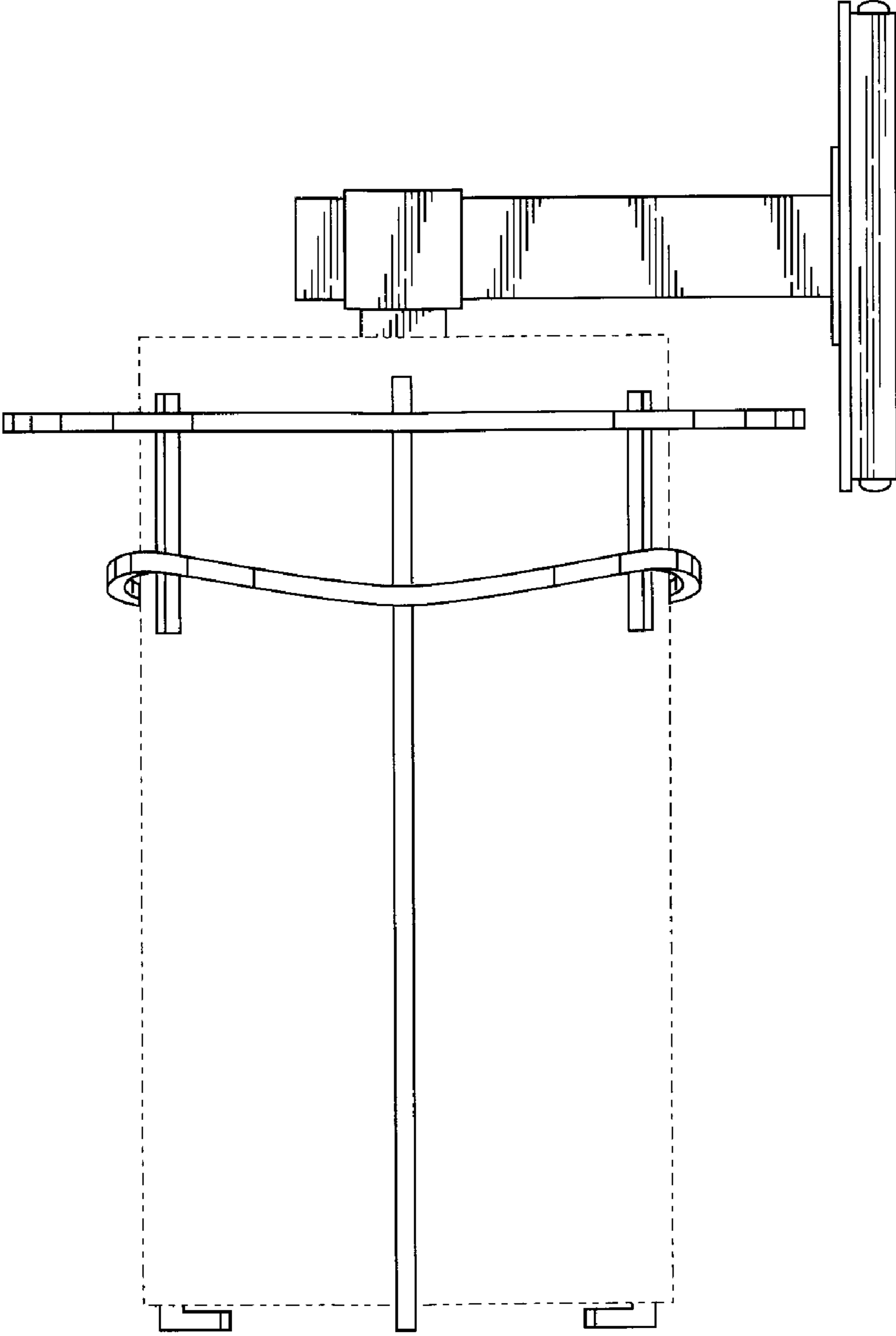


FIG. 5

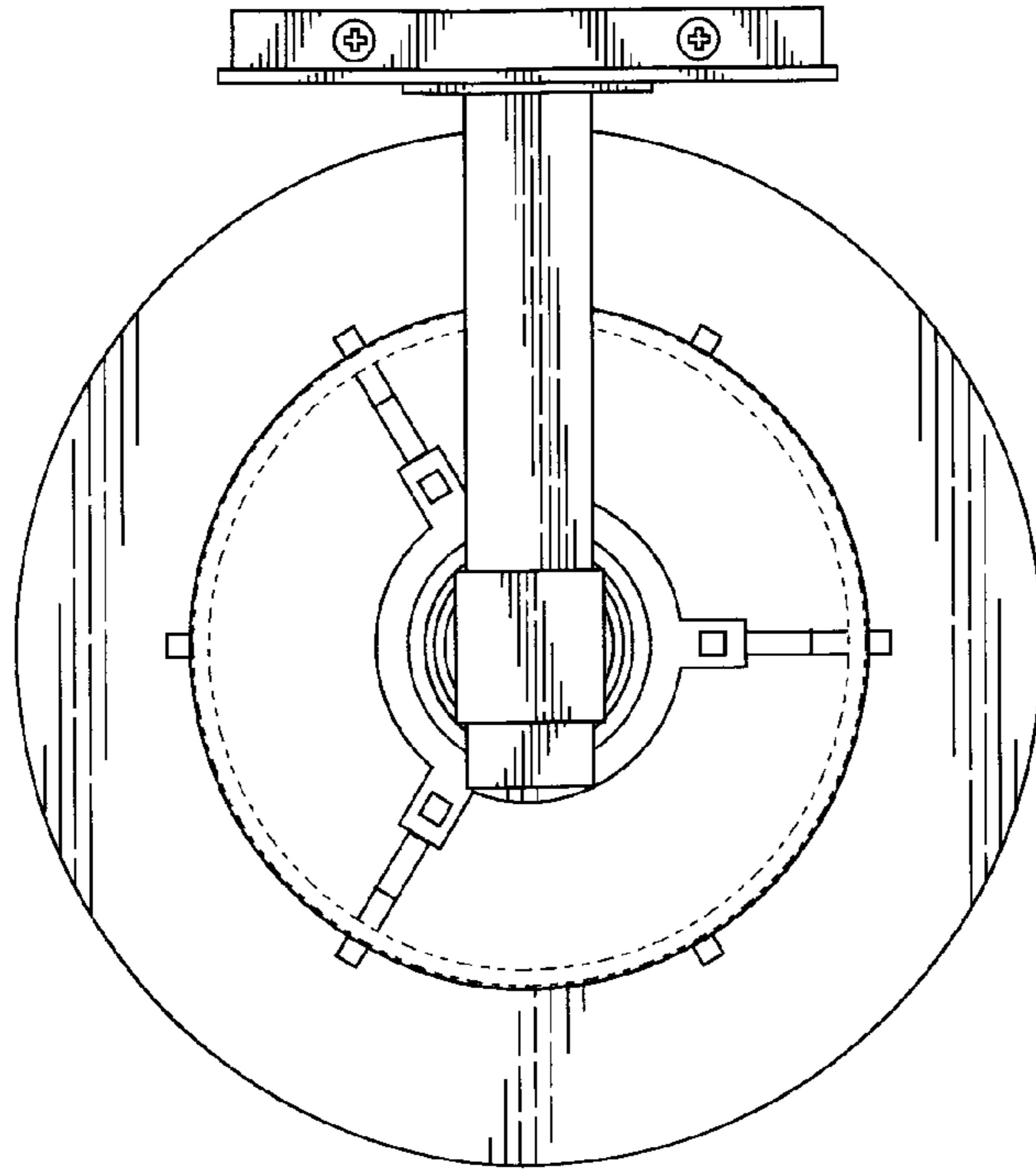


FIG. 6

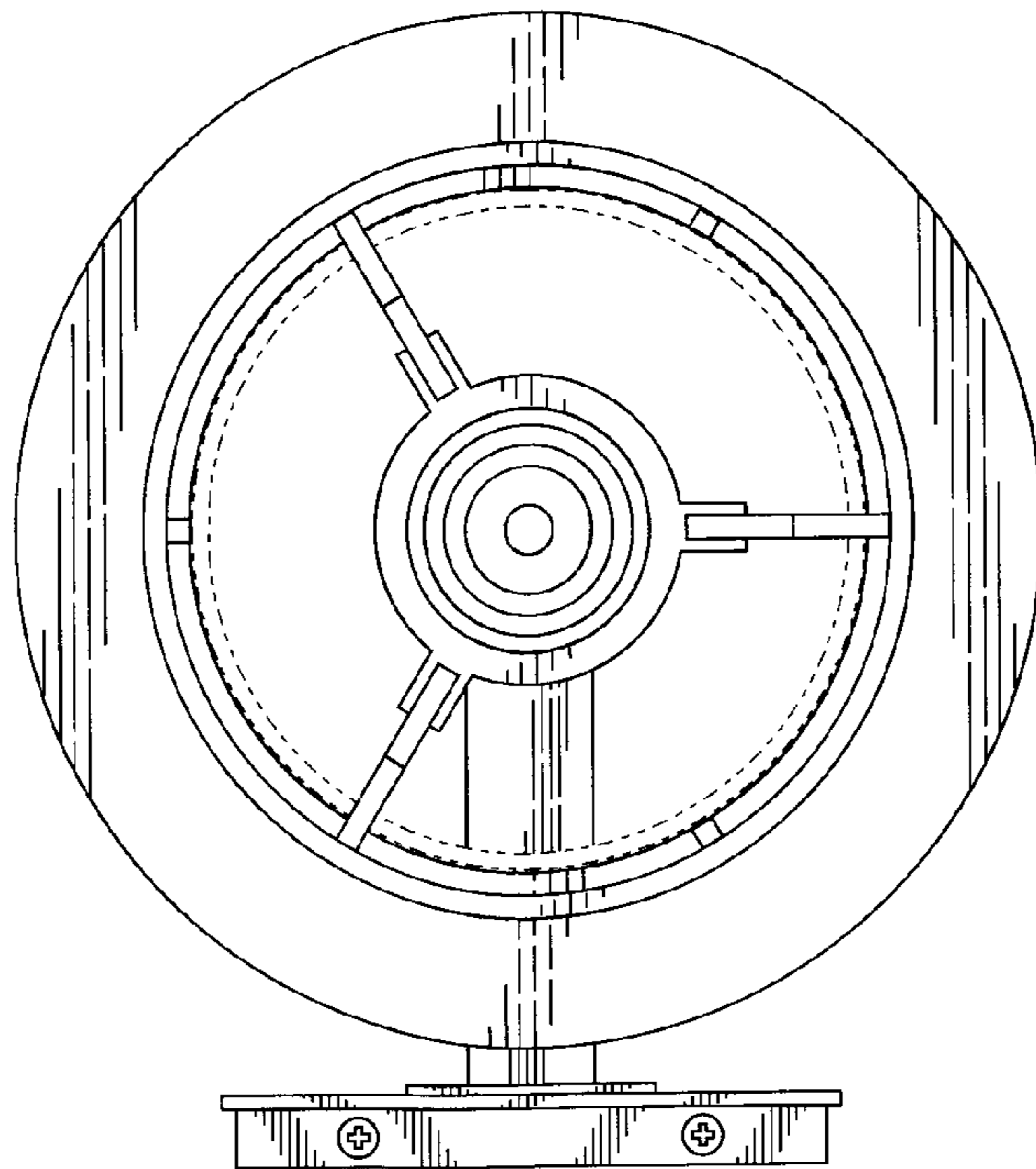


FIG. 7