



US00D572399S

(12) **United States Design Patent**
Pfund

(10) **Patent No.:** **US D572,399 S**

(45) **Date of Patent:** **** Jul. 1, 2008**

(54) **WORKSTATION LUMINAIRE**

(75) Inventor: **David Pfund**, Woodbridge, CT (US)

(73) Assignee: **Sylvan K. Shemitz Designs, Inc.**, West Haven, CT (US)

(**) Term: **14 Years**

(21) Appl. No.: **29/242,378**

(22) Filed: **Nov. 9, 2005**

(51) **LOC (8) Cl.** **26-05**

(52) **U.S. Cl.** **D26/72; D26/142**

(58) **Field of Classification Search** D26/72,
D26/74-79, 67, 77, 142-153; 362/217-225,
362/283, 147, 363; D25/42-43, 126-127,
D25/153, 199

See application file for complete search history.

(56) **References Cited**

U.S. PATENT DOCUMENTS

2,345,235	A *	3/1944	Carter, Jr.	362/140
2,506,951	A *	5/1950	Diane	362/341
2,826,678	A *	3/1958	Lindsay	362/219
D191,628	S *	10/1961	Muller	D26/76
3,022,416	A *	2/1962	Roberts	362/245
3,131,871	A *	5/1964	Foulds	362/146
D205,192	S *	7/1966	Shearin	D26/51
3,389,246	A *	6/1968	Shemitz	362/147
3,646,340	A *	2/1972	Adam	362/223
3,700,877	A *	10/1972	Wilson	362/300
3,737,654	A *	6/1973	Hawley	362/311
3,997,776	A *	12/1976	Ruud	362/127
4,254,449	A *	3/1981	Benasutti et al.	362/33
4,255,781	A *	3/1981	Plemmons et al.	362/374
4,300,185	A *	11/1981	Wakamatsu	362/33
4,323,955	A *	4/1982	Mark	362/278
4,351,017	A *	9/1982	Ball	362/147
D268,367	S *	3/1983	Paquette et al.	D26/76
4,388,676	A *	6/1983	Sato et al.	362/260
4,414,609	A *	11/1983	Shemitz	362/33
D286,916	S *	11/1986	Worrell	D26/72
4,660,131	A *	4/1987	Herst et al.	362/223
4,680,677	A *	7/1987	Ross	362/33

D295,086	S *	4/1988	Morten	D26/76
4,816,969	A *	3/1989	Miller	362/130
RE33,471	E *	12/1990	Herst et al.	362/223
D313,482	S *	1/1991	Compton	D26/69
RE33,593	E *	5/1991	Herst et al.	362/223
D323,662	S *	2/1992	Sapp	D15/199
D329,715	S *	9/1992	Dieperink	D26/76
D330,090	S *	10/1992	Walter et al.	D26/51
5,412,551	A *	5/1995	Newell	362/241
5,658,067	A *	8/1997	Engle et al.	362/222
D386,278	S *	11/1997	Engle et al.	D26/76
D397,818	S *	9/1998	Herst et al.	D26/76

(Continued)

Primary Examiner—Stella M. Reid

Assistant Examiner—Susan E Krakower

(74) *Attorney, Agent, or Firm*—Cantor Colburn LLP

(57) **CLAIM**

I claim, the ornamental design for a workstation luminaire, as shown and described.

DESCRIPTION

FIG. 1 is a perspective view of a workstation luminaire, showing my new design;

FIG. 2 is a perspective view of a workstation luminaire in another embodiment of the invention, showing my new design;

FIG. 3 is a front elevation view of the design shown in FIG. 1. The luminaire is shown broken in the middle to indicate it has been reduced in width to fit on the drawing sheet;

FIG. 4 is a front elevation view of the design shown in FIG. 2;

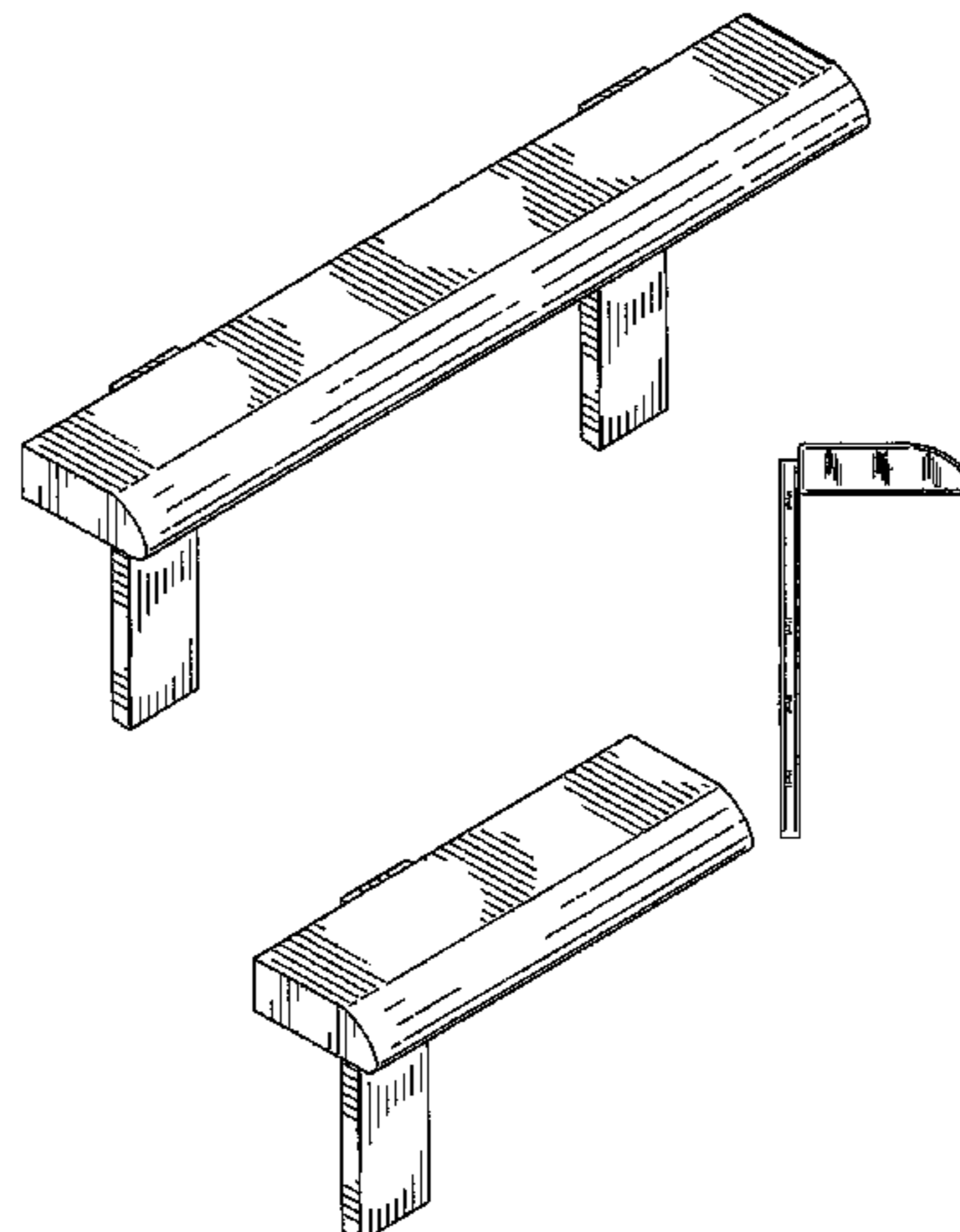
FIG. 5 is a rear elevation view of the design shown in FIG. 1;

FIG. 6 is a rear elevation view of the design shown in FIG. 2; and,

FIG. 7 is a side elevation view of the design shown in FIG. 1 and FIG. 2, the opposite sides of which are mirror images hereof.

Applicant notes that the workstation luminaire is illustrated in FIGS. 3 and 5 to show indeterminate length.

1 Claim, 3 Drawing Sheets



US D572,399 S

Page 2

U.S. PATENT DOCUMENTS

D400,899 S *	11/1998	Simms	D16/136	D464,757 S *	10/2002	Echito	D26/75
D415,304 S *	10/1999	Brown	D26/87	D473,670 S *	4/2003	Kelmelis et al.	D26/74
D440,692 S *	4/2001	Janos et al.	D26/87	D496,750 S *	9/2004	Waldmann	D26/78
6,254,254 B1 *	7/2001	Chubb et al.	362/293	D502,565 S *	3/2005	Hetfield	D26/76
D452,340 S *	12/2001	Pickett et al.	D26/76	7,156,537 B1 *	1/2007	Cohrs	362/147
D456,928 S *	5/2002	Russello et al.	D26/85	2006/0232975 A1 *	10/2006	Pfund	362/296
D464,457 S *	10/2002	Echito	D26/76	2006/0232981 A1 *	10/2006	Pfund et al.	362/368

* cited by examiner

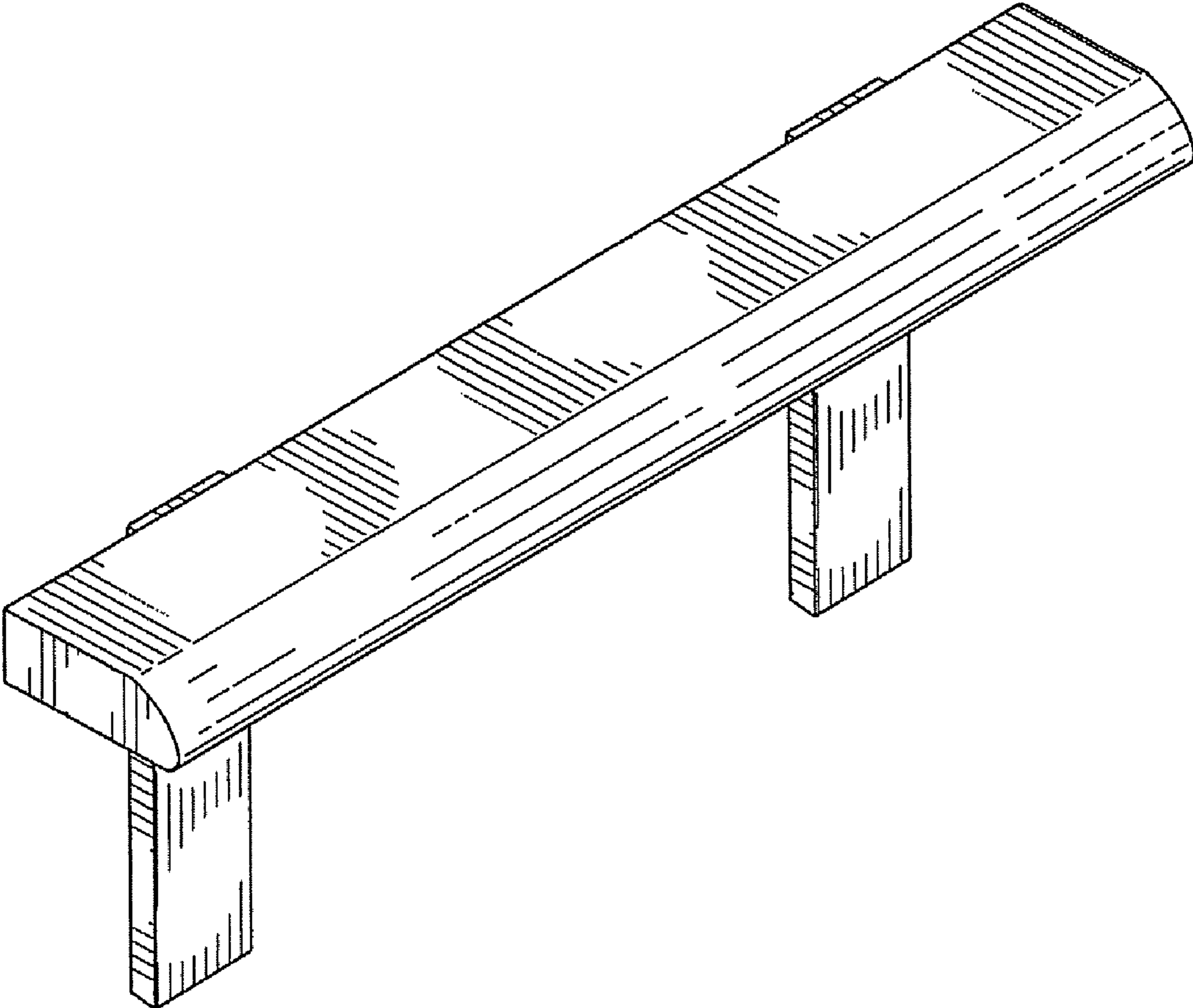


FIG. 1

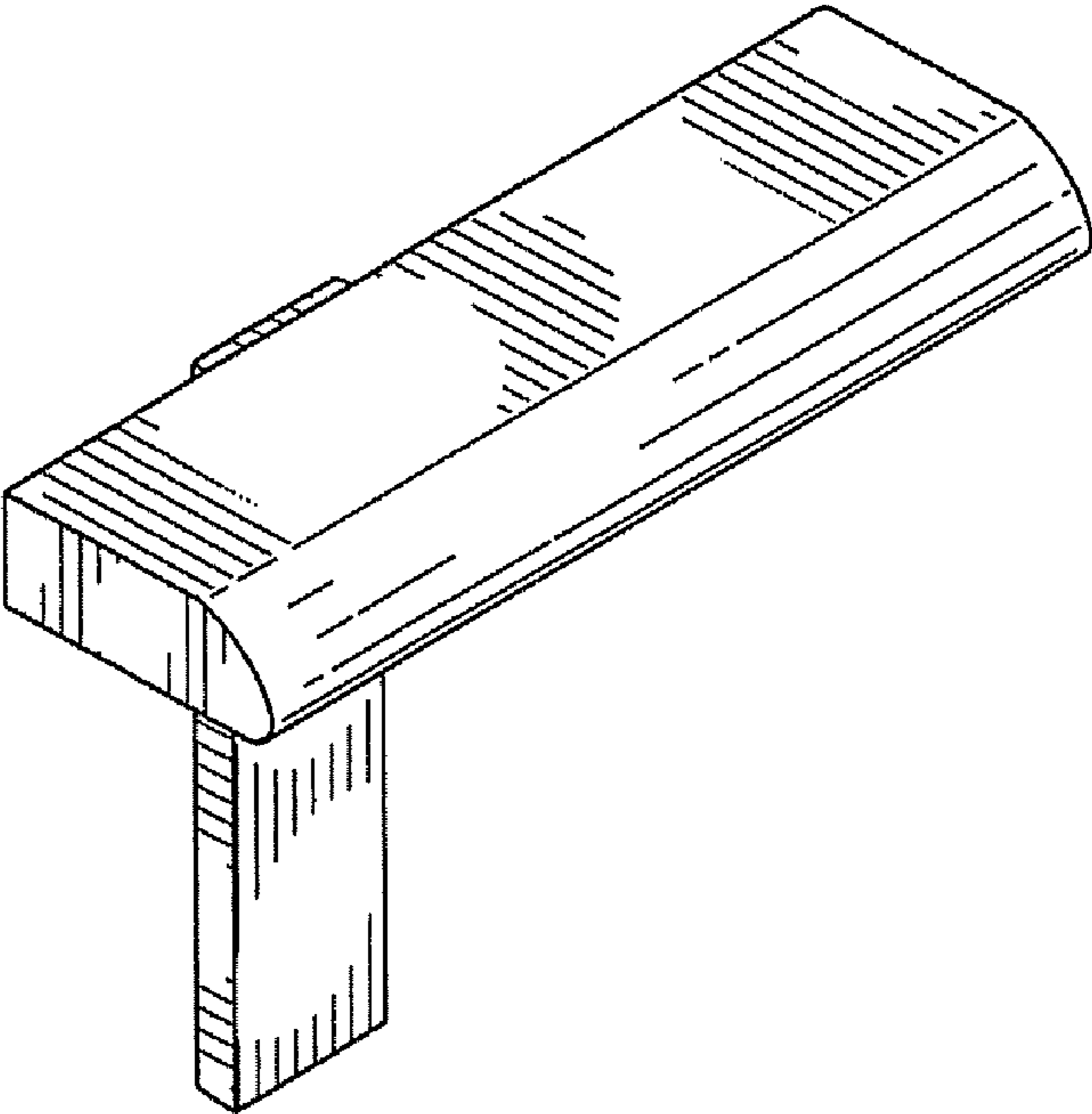


FIG. 2

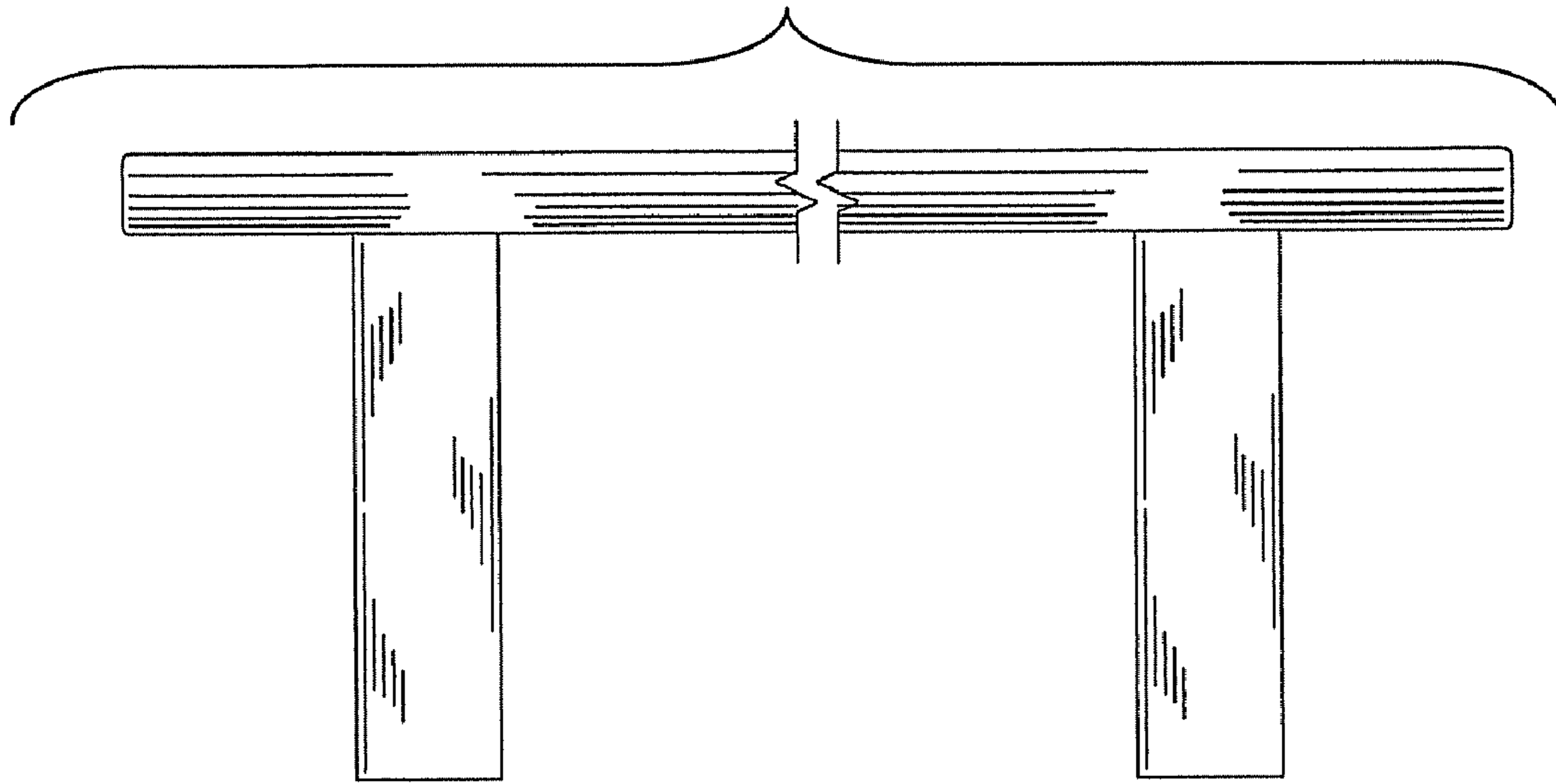


FIG. 3

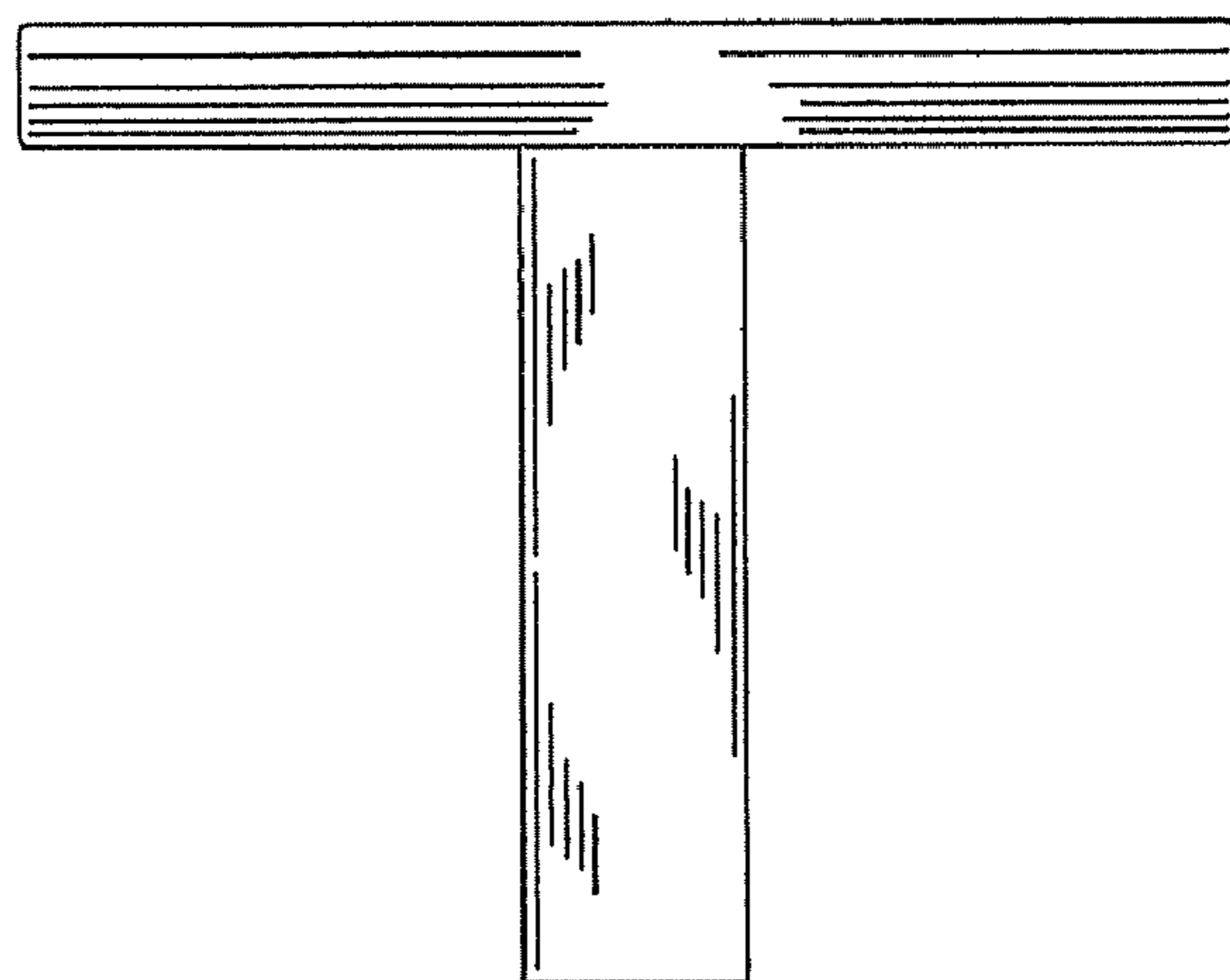


FIG. 4

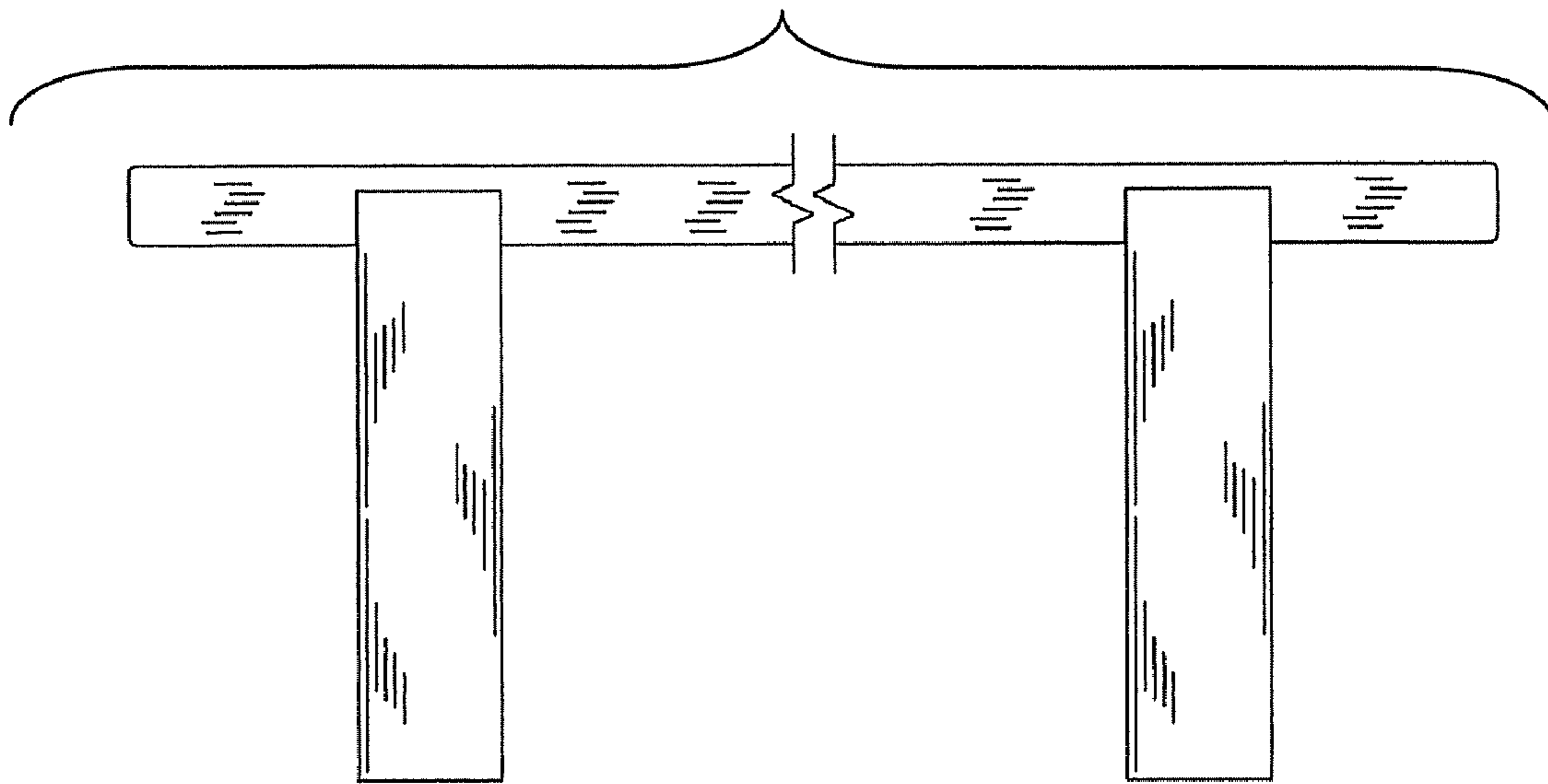


FIG. 5

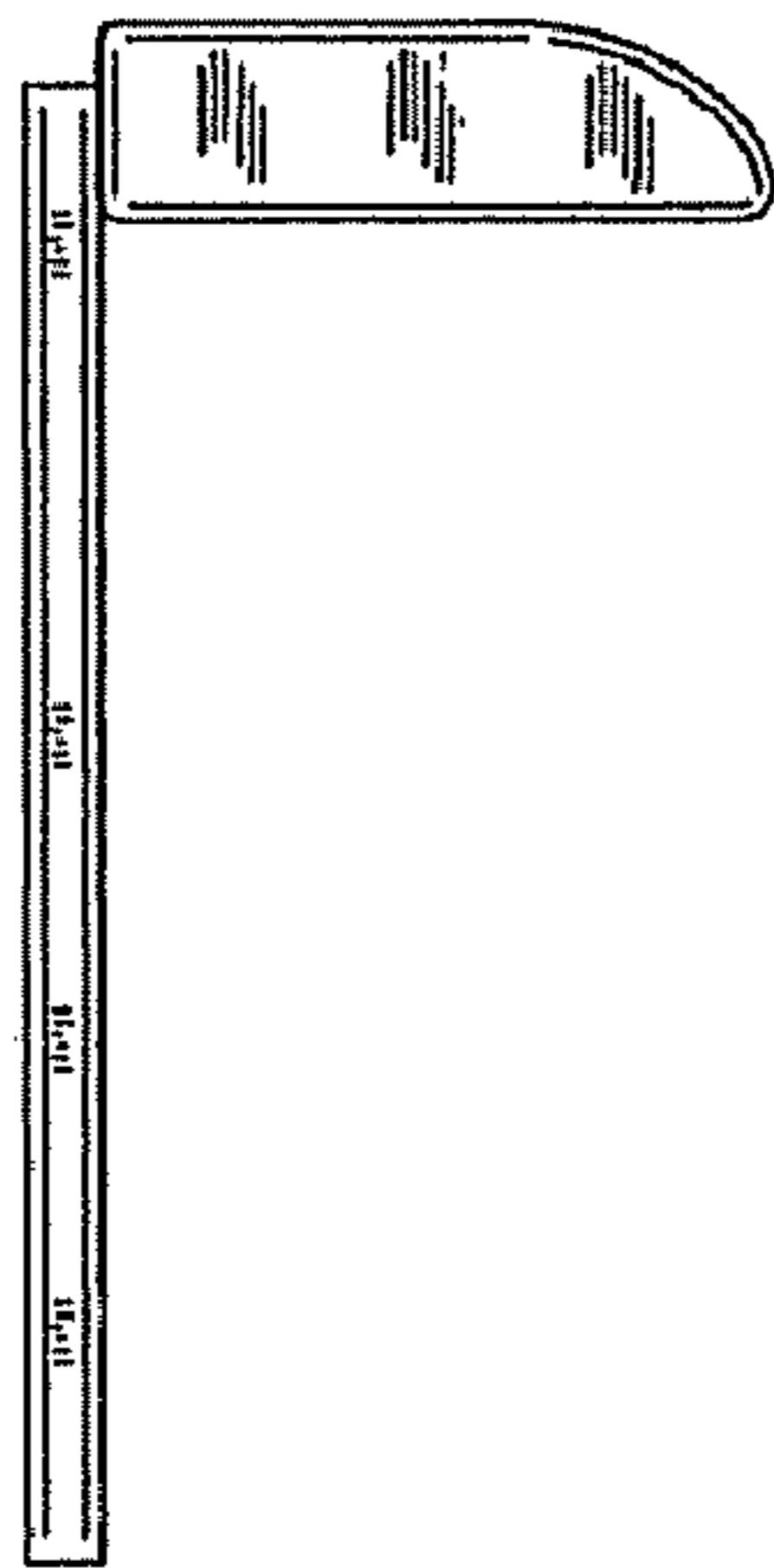


FIG. 7

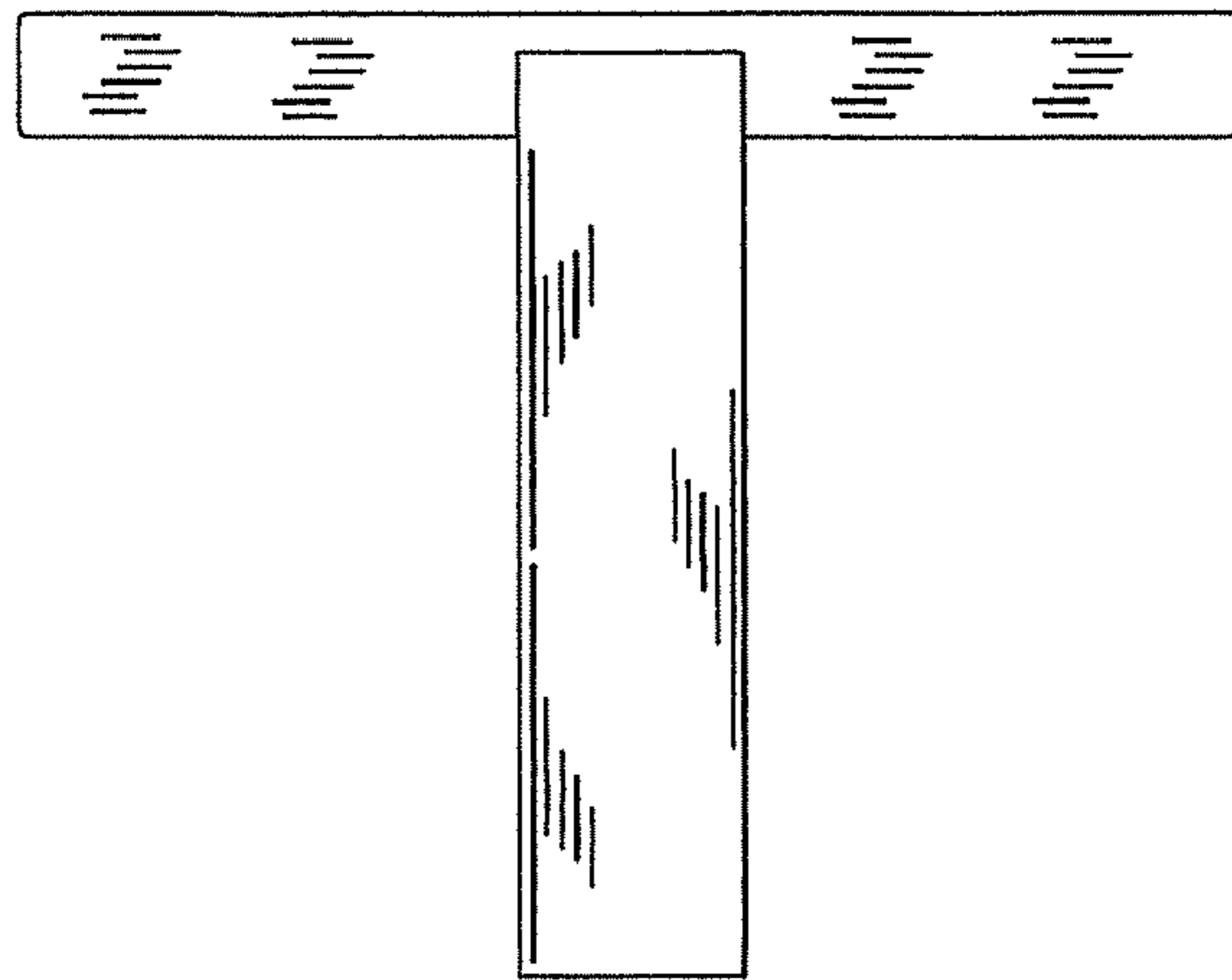


FIG. 6