



US00D572397S

(12) **United States Design Patent**  
**Skogg et al.**

(10) **Patent No.:** **US D572,397 S**  
(45) **Date of Patent:** **\*\* Jul. 1, 2008**

(54) **COMBINED BOLLARD AND LIGHT FIXTURE**

(75) Inventors: **Nicole Skogg**, Los Angeles, CA (US);  
**David Crookham**, Valencia, CA (US);  
**Michael Leonhardt**, Castaic, CA (US)

(73) Assignee: **Acuity Brands, Inc.**, Atlanta, GA (US)

(\*\*) Term: **14 Years**

(21) Appl. No.: **29/232,980**

(22) Filed: **Jun. 23, 2005**

(51) **LOC (8) Cl.** ..... **26-05**

(52) **U.S. Cl.** ..... **D26/68**

(58) **Field of Classification Search** ..... D26/67,  
D26/68, 70, 71, 72, 85, 87, 91, 92, 128; 362/145,  
362/153, 153.1, 157, 183, 190, 191, 266,  
362/362, 431, 812; D25/126

See application file for complete search history.

(56) **References Cited**

**U.S. PATENT DOCUMENTS**

D184,226	S	*	1/1959	Guggemos	.....	D26/68
D209,416	S	*	11/1967	Smith	.....	D26/68
D250,910	S	*	1/1979	Clark et al.	.....	D26/85
4,999,749	A	*	3/1991	Dormand	.....	362/153.1
D377,541	S	*	1/1997	Porter	.....	D26/68
D438,999	S	*	3/2001	Bossy	.....	D26/68
7,036,960	B1	*	5/2006	Gretz	.....	362/431
2002/0114170	A1	*	8/2002	Chen et al.	.....	362/153.1
2007/0076416	A1	*	4/2007	Leonhardt et al.	.....	362/431

**OTHER PUBLICATIONS**

Lighted Bollard #EA-1S-L-FAM from TAL Public Site Products, Inc. Found at talpublic.com on May 18, 2007.\*  
KLCSQ Square Bollard from King Luminaire. Found online at kingluminaire.com on May 18, 2007.\*

Lighted Bollard styles, "Pacific", "Square" and "Washington" from King Luminaire. © 2007.\*

Public disclosure of the subject matter of this application and of U.S. Appl. No. 29/232,980, filed Jun. 23, 2005 to Nicole Skogg et al. more than one year prior to Aug. 14, 2007.

\* cited by examiner

*Primary Examiner*—Clare E Heflin

(74) *Attorney, Agent, or Firm*—Connolly Bove Lodge & Hutz LLP

(57) **CLAIM**

The ornamental design for a combined bollard and light fixture, as shown and described.

**DESCRIPTION**

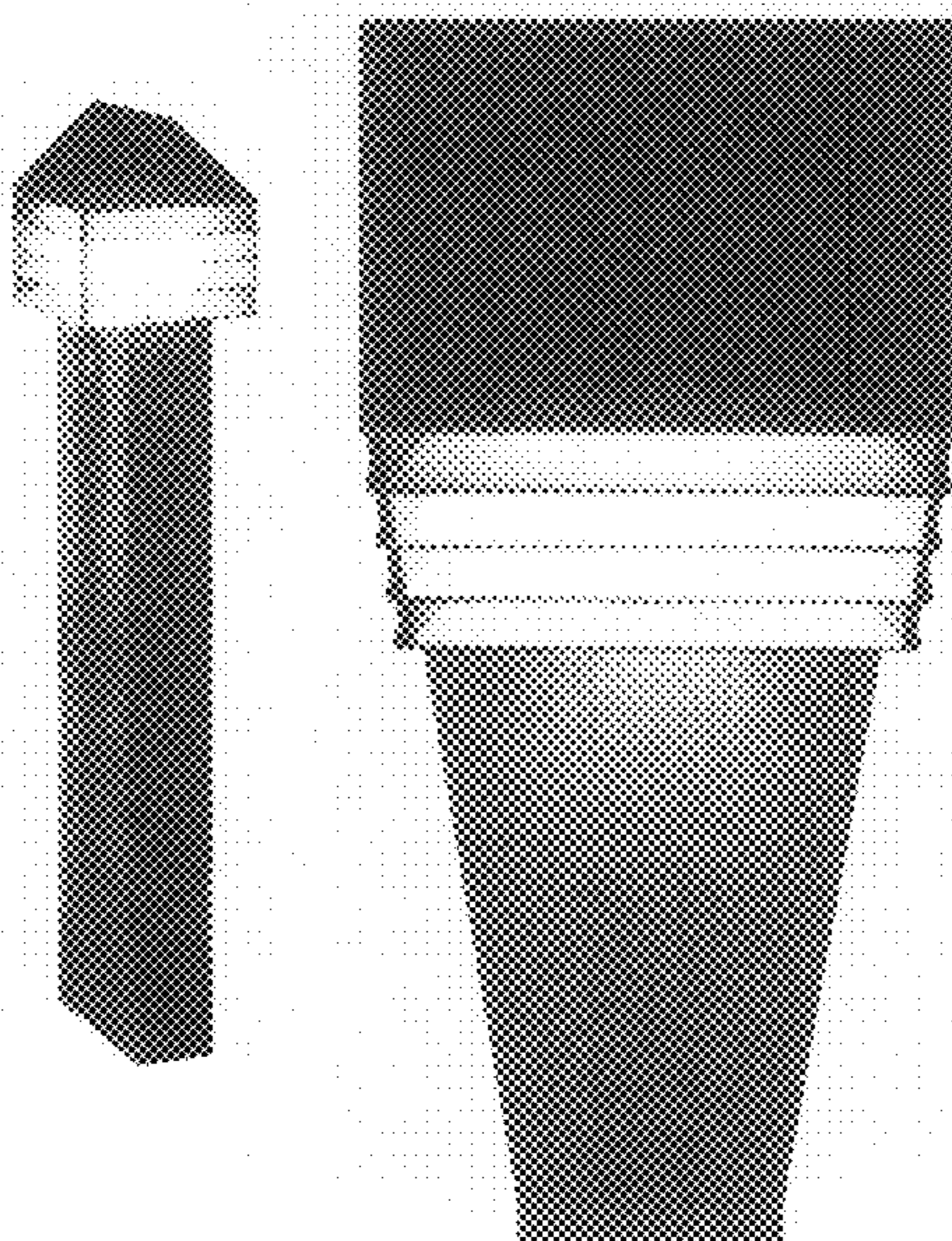
The file of this design patent application contains two photographs executed in color.

FIG. 1 is a photograph of a perspective view of the combined bollard and light fixture, the left side being identical with the right side as shown and the back being identical with the front as shown, color but not the specific wavelength of light for the wash forming a part of the design, the color of the surface of the combined bollard and light fixture not forming a part of the design; and,

FIG. 2 is a photograph of a front view inclined from above of the combined bollard and light fixture, the back being identical with the front as shown, color but not the specific wavelength of light for the wash forming a part of the design, the color of the surface of the combined bollard and light fixture not forming a part of the design.

The bottom view does not form part of the design. All top surfaces are visible in the other views.

**1 Claim, 2 Drawing Sheets**  
**(2 of 2 Drawing Sheet(s) Filed in Color)**



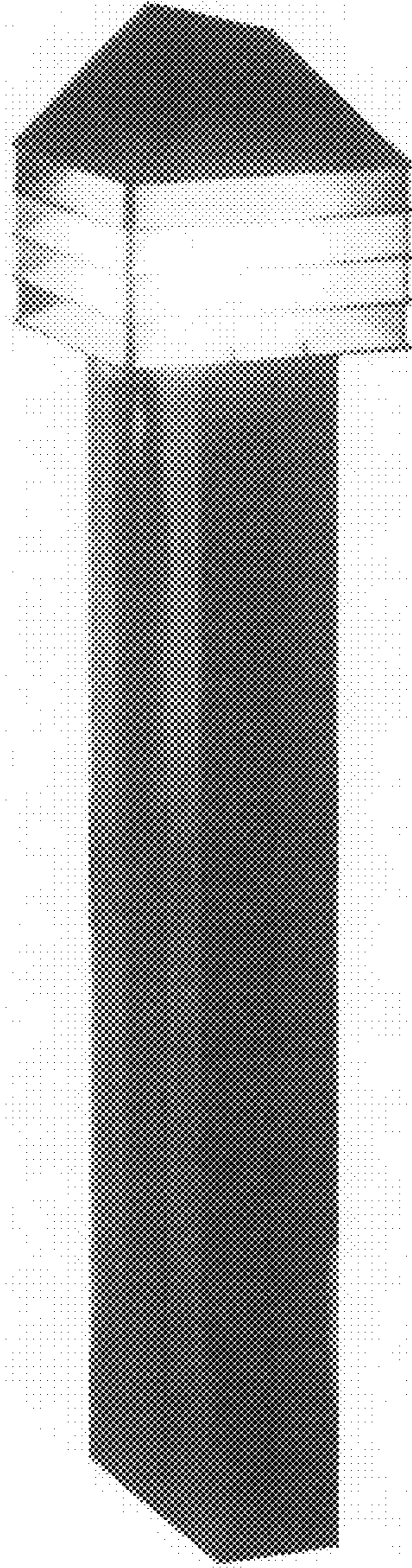


Fig. 1



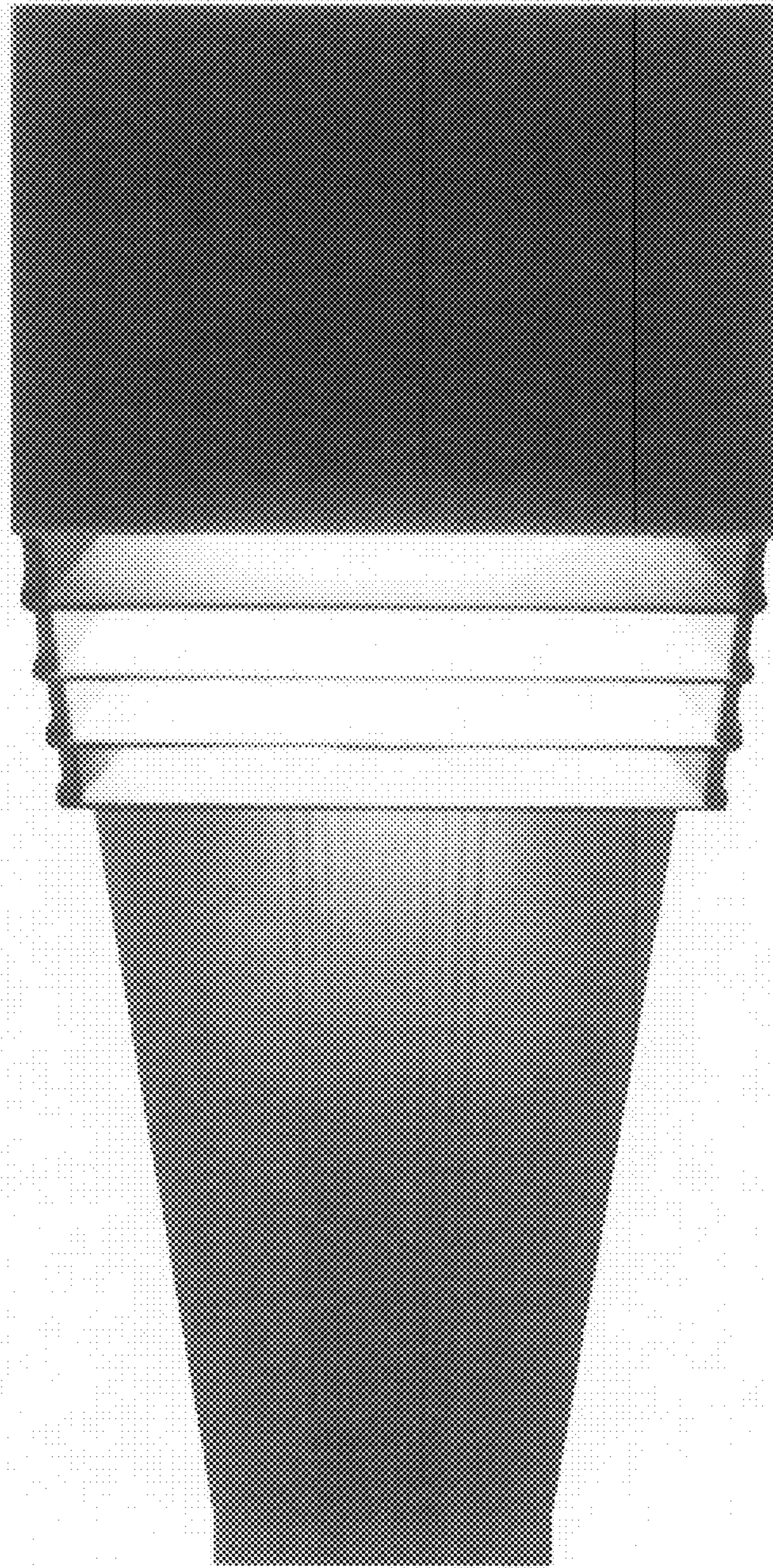


Fig. 2