



US00D572395S

(12) **United States Design Patent**
Guelzow et al.

(10) **Patent No.:** **US D572,395 S**
(45) **Date of Patent:** **** Jul. 1, 2008**

(54) **FLASHLIGHT**

(75) Inventors: **James Guelzow**, Farmington, NY (US);
Jerry W. Kuper, Rochester, NY (US);
Joseph Singley, Danville, PA (US);
Brett Lotito, Vestal, NY (US); **David C. Brown**, Brackney, PA (US)

(73) Assignee: **Snake Creek Lasers, LLC**, Hallstead, PA (US)

(**) Term: **14 Years**

(21) Appl. No.: **29/297,385**

(22) Filed: **Nov. 9, 2007**

(51) **LOC (8) Cl.** **26-02**

(52) **U.S. Cl.** **D26/49**

(58) **Field of Classification Search** D26/37-50;
362/157, 158, 171-174, 183-208

See application file for complete search history.

(56) **References Cited**

U.S. PATENT DOCUMENTS

D343,695 S *	1/1994	Shiau	D26/49
D363,361 S *	10/1995	Maglica	D26/49
D479,354 S *	9/2003	Sharrah et al.	D26/49
D532,543 S *	11/2006	Julius et al.	D26/49
D557,836 S *	12/2007	Shiu	D26/37

* cited by examiner

Primary Examiner—Marcus A. Jackson

(74) *Attorney, Agent, or Firm*—Brown & Michaels, PC

(57) **CLAIM**

The ornamental design for a flashlight, as shown and described.

DESCRIPTION

FIG. 1 is a first perspective view of a handheld adjustable focus laser flashlight of the present invention;

FIG. 2 is a front view of the handheld adjustable focus laser flashlight of FIG. 1;

FIG. 3 is a rear view of the handheld adjustable focus laser flashlight of FIG. 1;

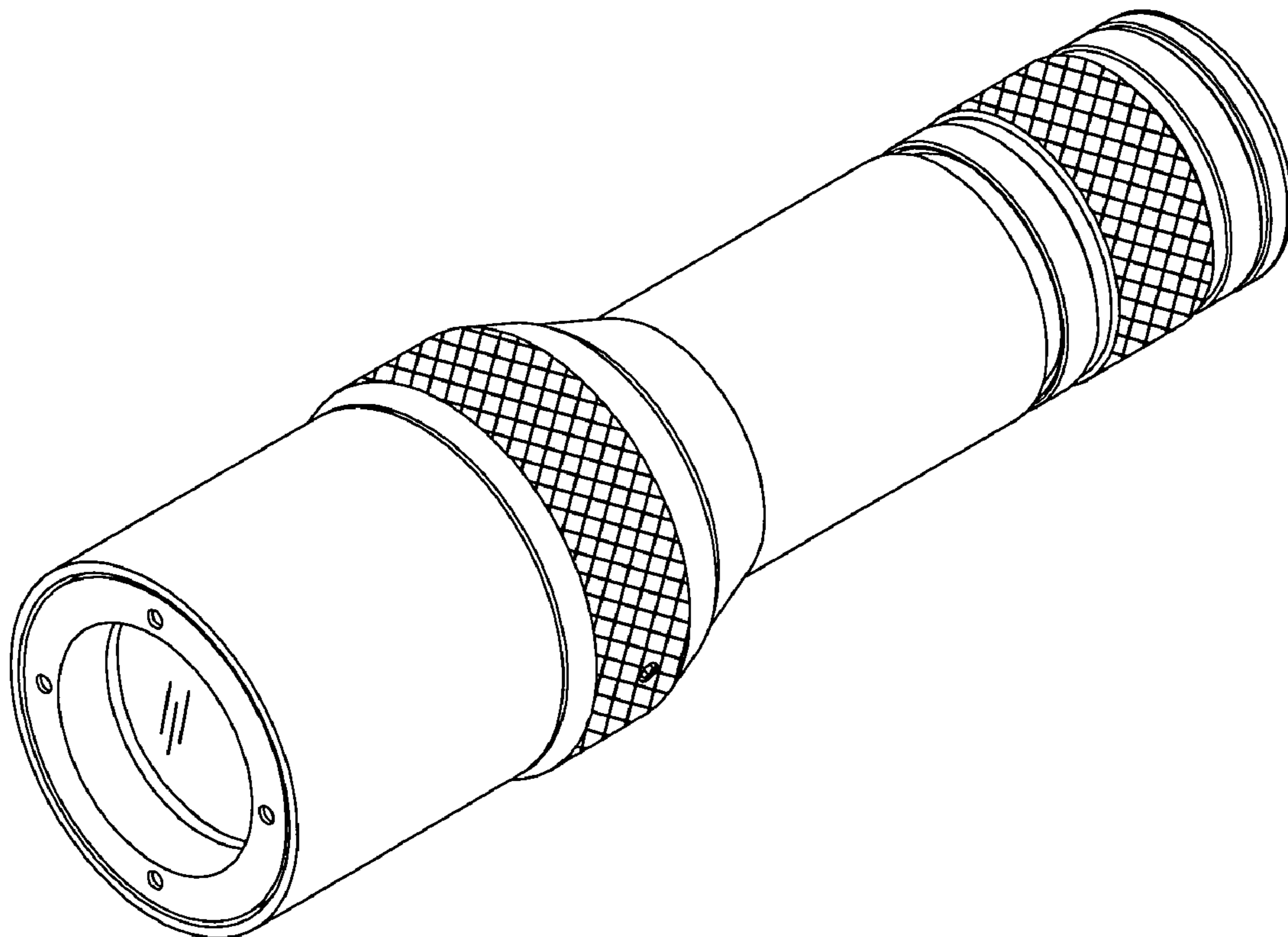
FIG. 4 is a right side view of the handheld adjustable focus laser flashlight of FIG. 1;

FIG. 5 is a left side view of the handheld adjustable focus laser flashlight of FIG. 1;

FIG. 6 is a top view of the handheld adjustable focus laser flashlight of FIG. 1; and,

FIG. 7 is a bottom view of the handheld adjustable focus laser flashlight of FIG. 1.

1 Claim, 3 Drawing Sheets



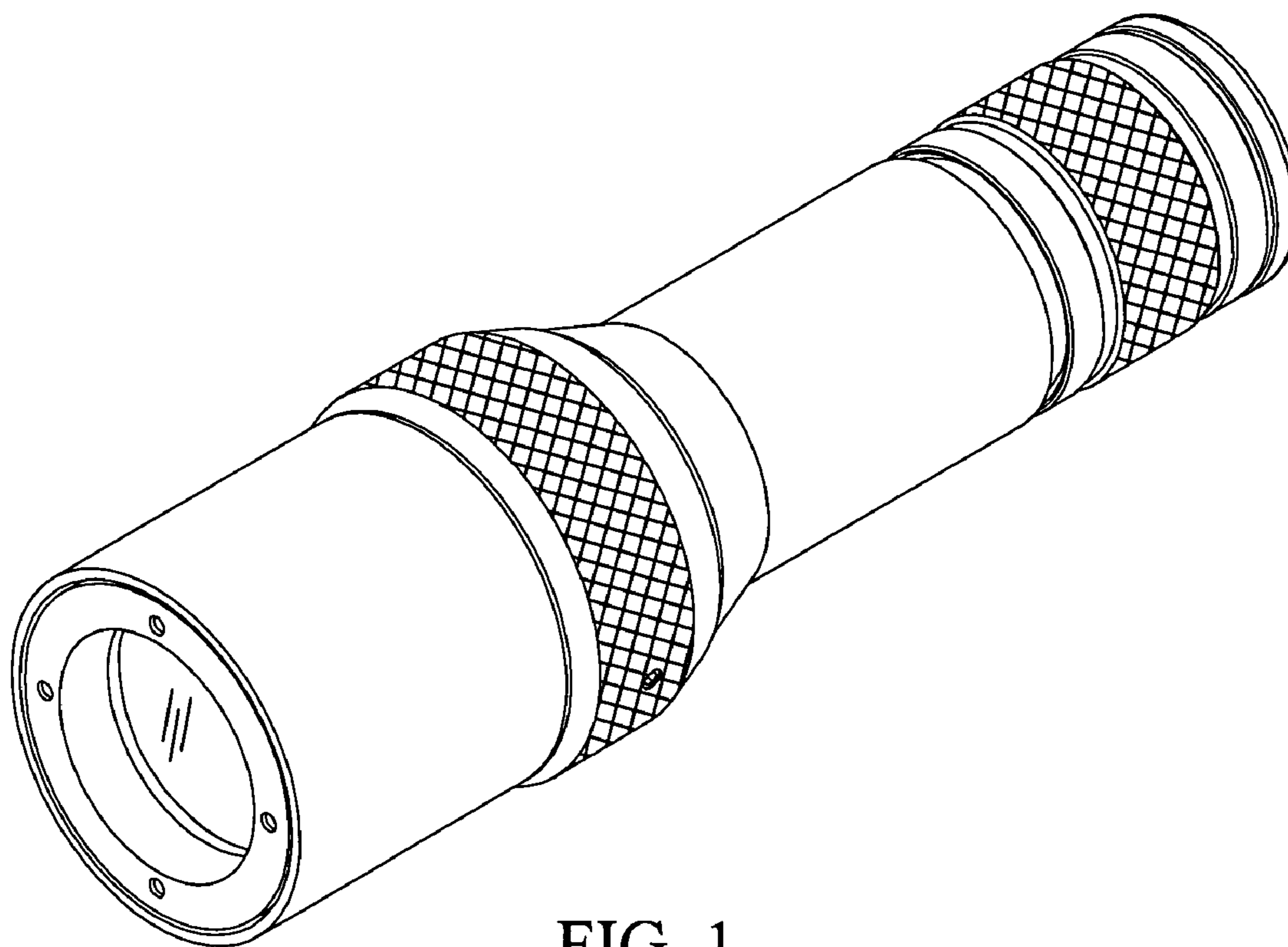


FIG. 1

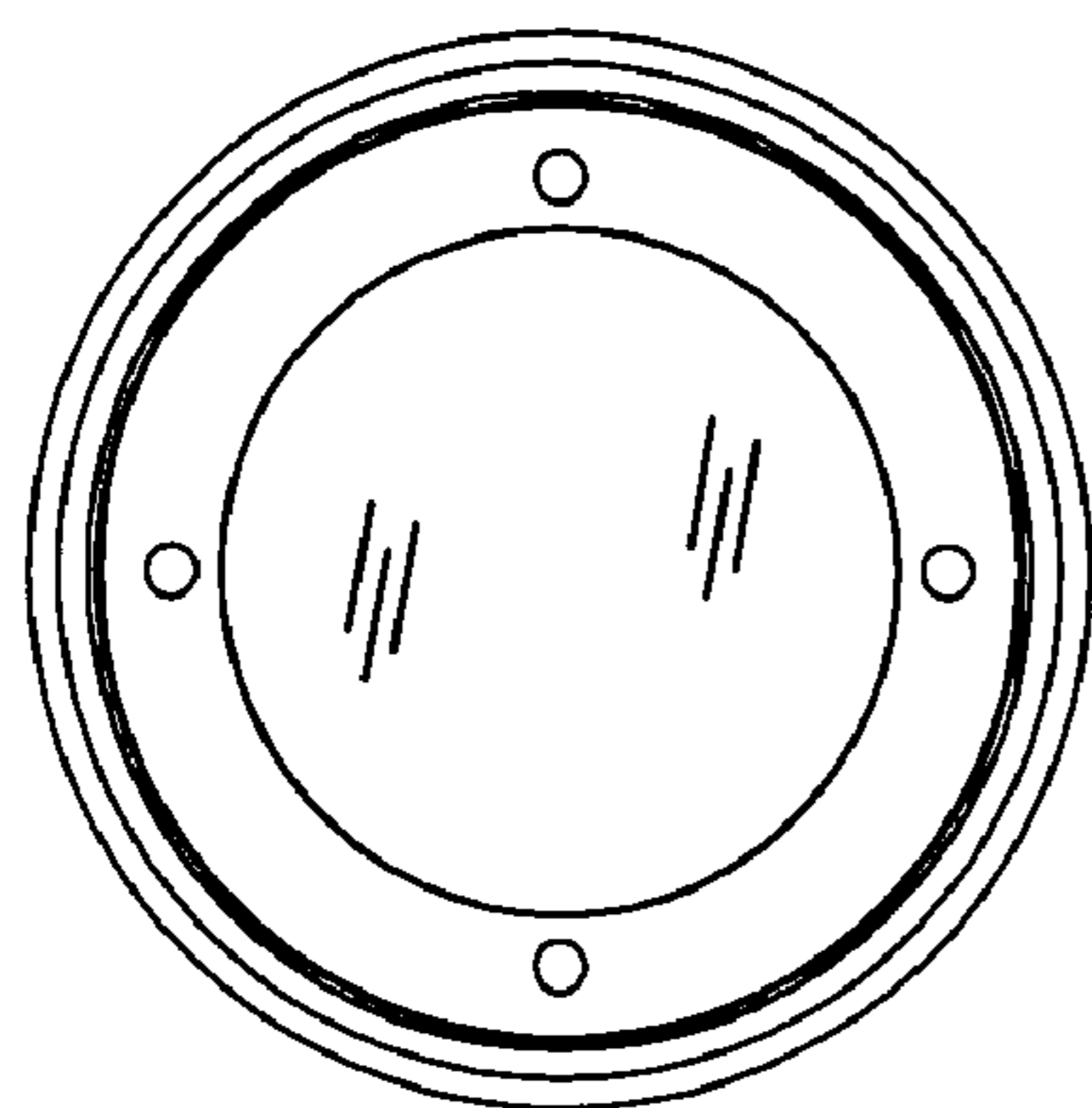


FIG. 2

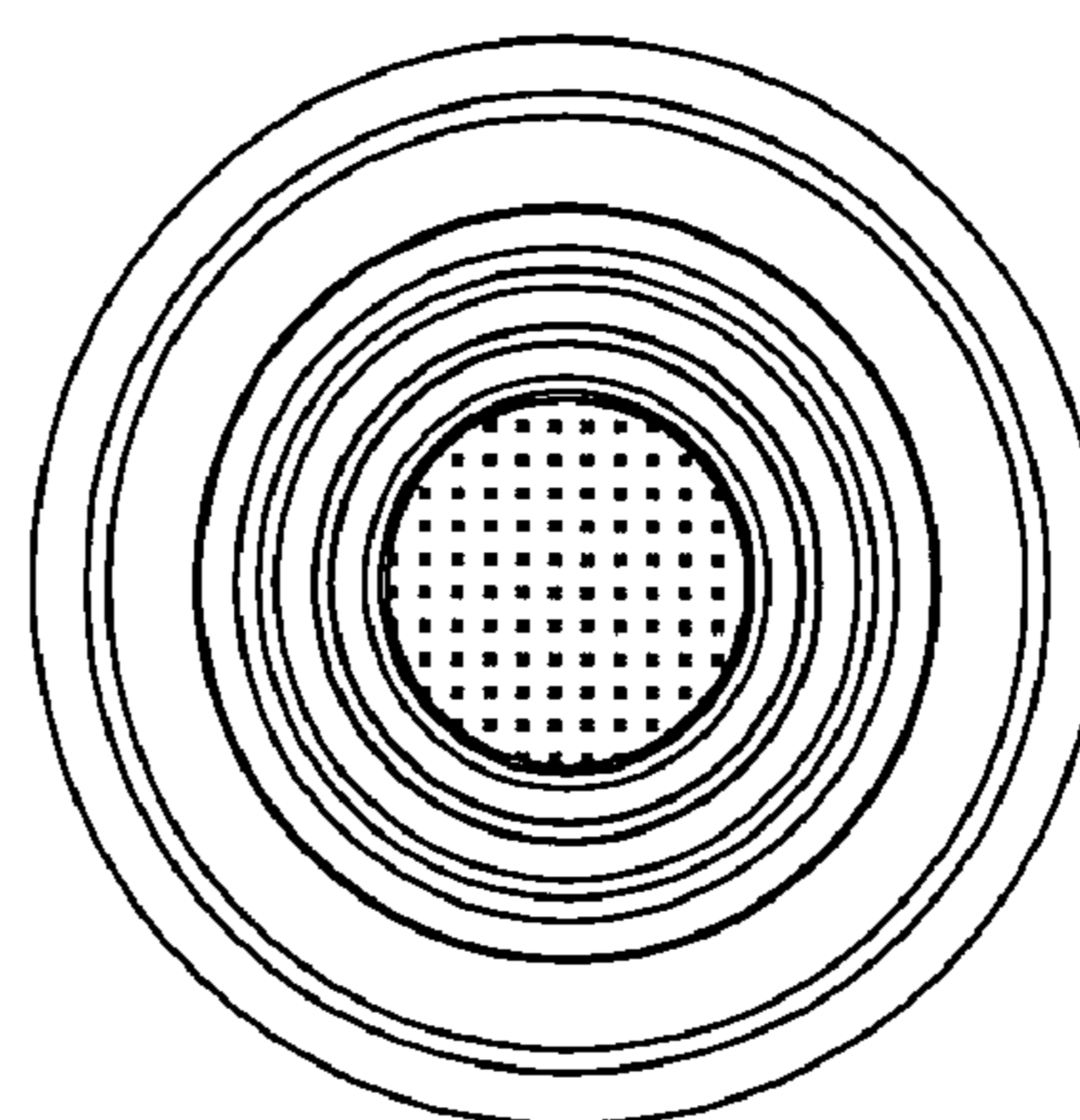


FIG. 3

FIG. 4

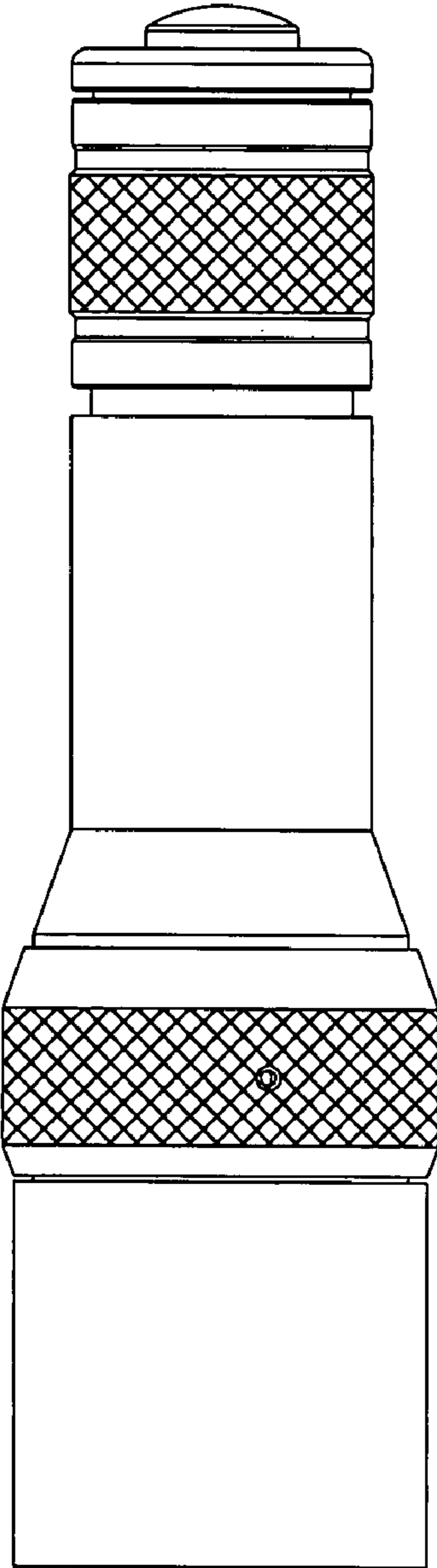
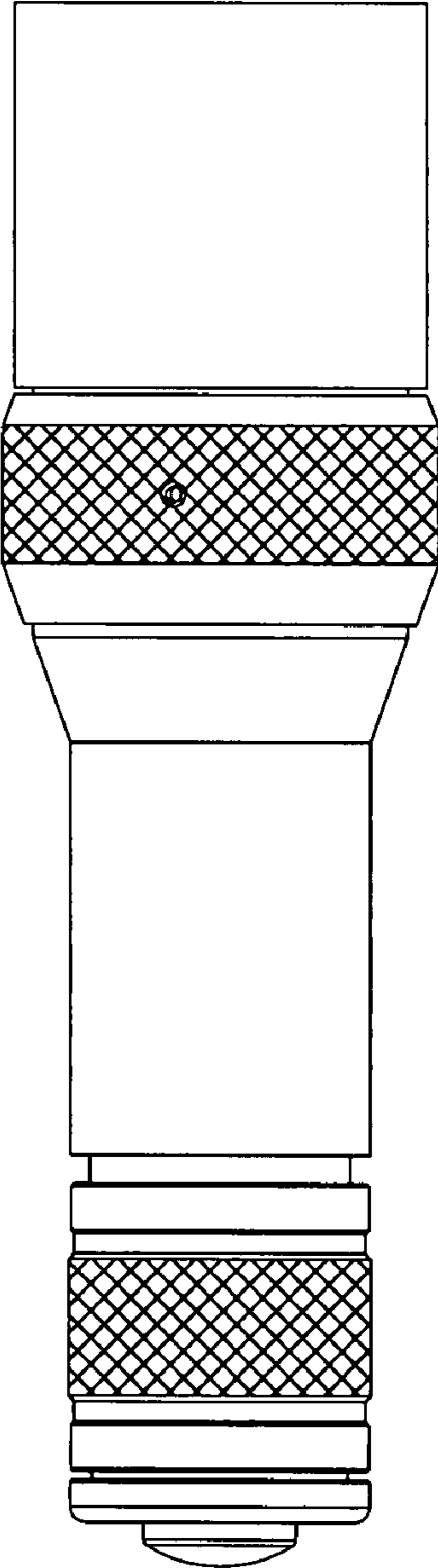


FIG. 5



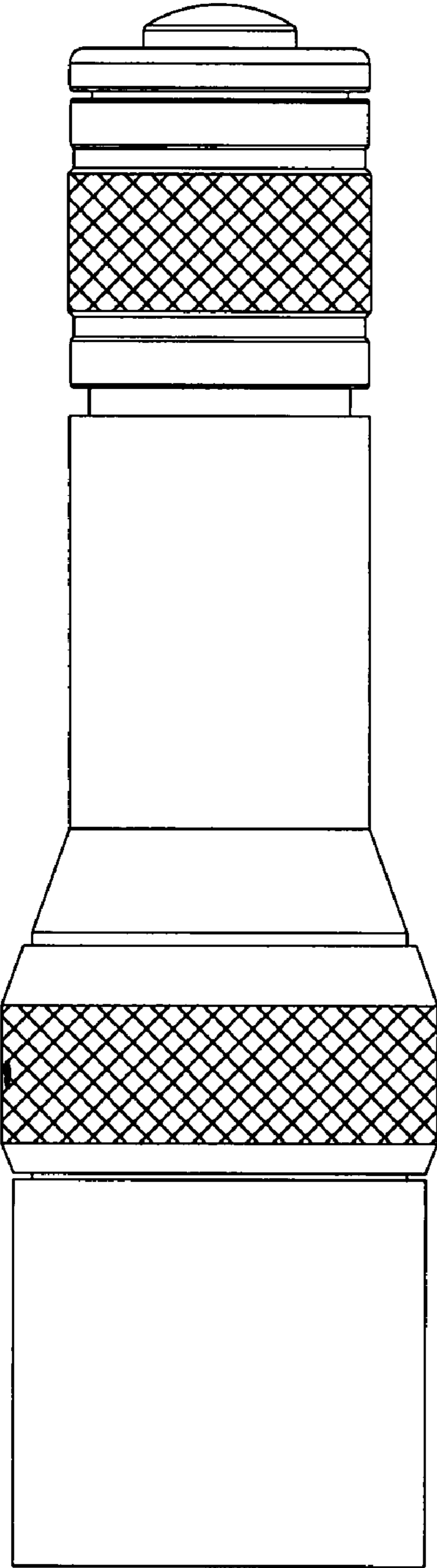


FIG. 6

FIG. 7

