



US00D572394S

(12) **United States Design Patent**  
**Dalton**

(10) **Patent No.:** **US D572,394 S**  
(45) **Date of Patent:** **\*\* Jul. 1, 2008**

(54) **FLASHLIGHT**

(75) Inventor: **Matthew Benjamin Dalton**, Elkins Park, PA (US)

(73) Assignee: **Streamlight, Inc.**, Eagleville, PA (US)

(\*\*) Term: **14 Years**

(21) Appl. No.: **29/302,893**

(22) Filed: **Jan. 28, 2008**

(51) **LOC (8) Cl.** ..... **26-02**

(52) **U.S. Cl.** ..... **D26/37**

(58) **Field of Classification Search** ..... D26/37-50;  
362/157, 158, 171-174, 183-208

See application file for complete search history.

(56) **References Cited**

U.S. PATENT DOCUMENTS

4,399,495 A	8/1983	Leopoldi et al.
4,777,582 A	10/1988	Sharrah
D306,492 S	3/1990	Sharrah
D306,910 S	3/1990	Kung
D307,488 S	4/1990	Sharrah
D308,109 S	5/1990	Maglica et al.
D310,425 S	9/1990	Sharrah
D312,509 S	11/1990	Sharrah
D324,580 S	3/1992	Young

(Continued)

OTHER PUBLICATIONS

Galls, "Product Detail," Galls H.A.L.O. Tactical Flashlight Kit, Date Unknown, 1 Page, prior to Jan. 28, 2008.

Wholesale Tools—MTFLAL2—Silver Flashlight Key Chain, [http://www.ckbproducts.com/wholesale\\_tools\\_mtflal2.htm](http://www.ckbproducts.com/wholesale_tools_mtflal2.htm), Printed Nov. 12, 2002, 1 Page.

GOLDSTAR, "Flashlight/Key Ring," Flashlight Stock, [http://www.goldstarasi.com/cat\\_goldstar\\_2002\\_rl/Items/itm\\_flashlightStock.htm](http://www.goldstarasi.com/cat_goldstar_2002_rl/Items/itm_flashlightStock.htm), Printed Nov. 12, 2002, 1 Page.

Christian Dollar Store, "Jesus Loves You" Flashlight Key Chain, <http://www.christiandollarstore.com/flaskeychain.html>, Printed Nov. 12, 2002, 1 Page.

Streamlight, Inc., Streamlight Products, <http://www.streamlight.com/products.html>, Mar. 11, 2003, 1 page.

Streamlight, Inc., Stinger Series Specifications, [http://www.streamlight.com/stinger-series\\_specifications.html](http://www.streamlight.com/stinger-series_specifications.html), Mar. 11, 2003, 3 pages.

Streamlight, Inc., SL Series Specifications, [http://www.streamlight.com/sl-series\\_specifications.html](http://www.streamlight.com/sl-series_specifications.html), Mar. 11, 2003, 2 pages.

Streamlight, Inc., Scorpion Specifications, [http://www.streamlight.com/scorpion\\_specifications.html](http://www.streamlight.com/scorpion_specifications.html), Mar. 11, 2003, 1 page.

Streamlight, Inc., Streamlight Jr. Specifications, [http://www.streamlight.com/sl\\_junior\\_specifications.html](http://www.streamlight.com/sl_junior_specifications.html), Mar. 11, 2003, 1 page.

*Primary Examiner*—Marcus A. Jackson

(74) *Attorney, Agent, or Firm*—Clement A. Berard, Esq.; Dann, Dorfman, Herrell & Skillman, PC

(57) **CLAIM**

The ornamental design for a flashlight, as shown and described.

**DESCRIPTION**

FIG. 1 is an isometric view of an example embodiment of an ornamental design for a flashlight;

FIG. 2 is a first side view of the ornamental design of FIG. 1; FIG. 3 is a second side view of the ornamental design of FIGS. 1-2;

FIG. 4 is a third side view of the ornamental design of FIGS. 1-3;

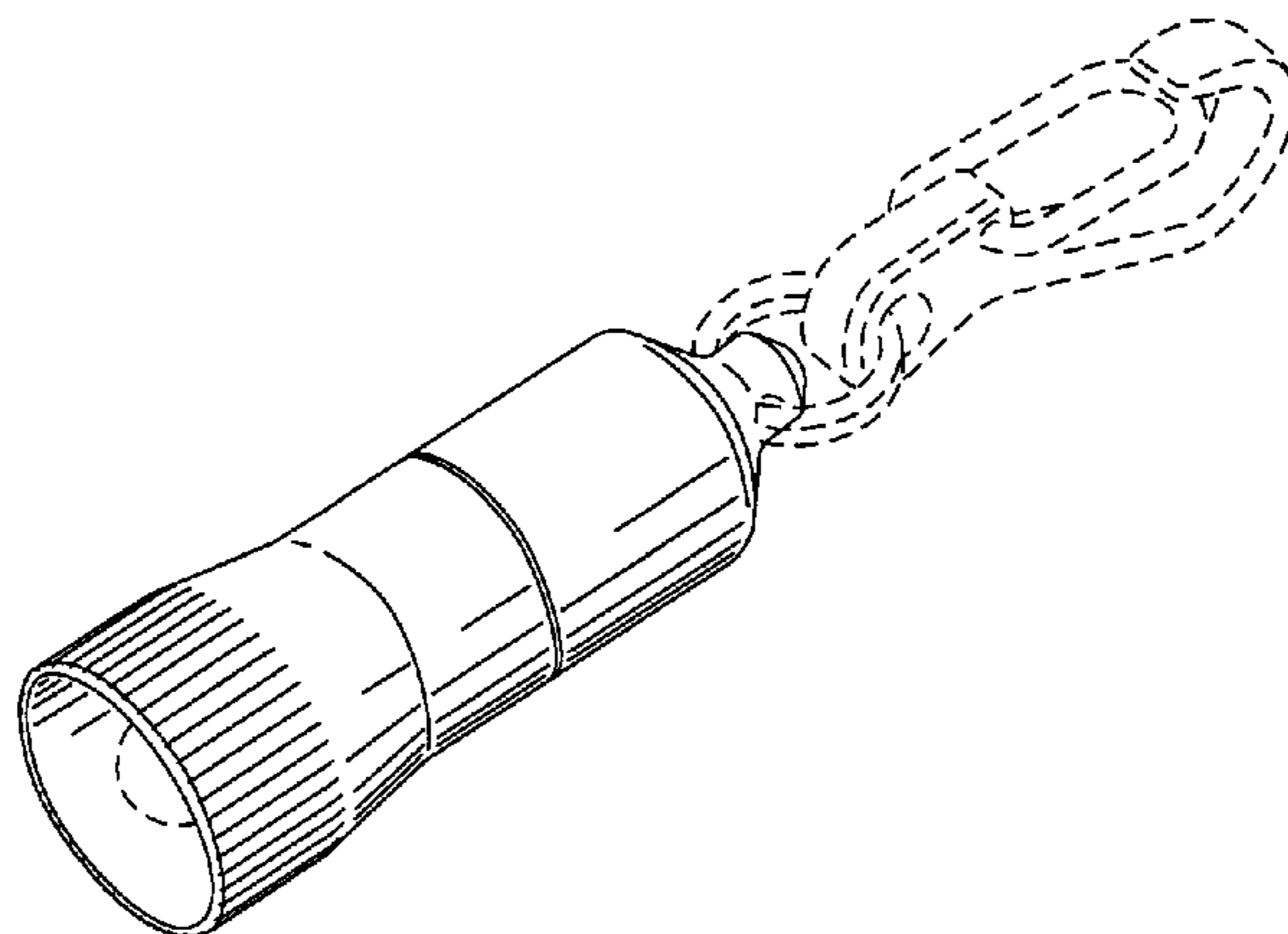
FIG. 5 is a fourth side view of the ornamental design of FIGS. 1-4;

FIG. 6 is an end view of a first end of the ornamental design of FIGS. 1-5; and,

FIG. 7 is an end view of a second end of the ornamental design of FIGS. 1-6.

Broken lines in the illustrations of the FIGURES of the drawing indicate parts of the article that are not part of the design illustrated therein.

**1 Claim, 2 Drawing Sheets**



# US D572,394 S

Page 2

---

## U.S. PATENT DOCUMENTS

D325,100 S 3/1992 Usami  
D348,112 S 6/1994 Maglica  
D353,216 S 12/1994 Sharrah et al.  
D403,447 S 12/1998 Parsons  
D429,014 S 8/2000 Stephens

6,227,677 B1 5/2001 Willis  
D479,354 S 9/2003 Sharrah et al.  
D560,835 S \* 1/2008 Hass ..... D26/37  
D561,365 S \* 2/2008 Huff ..... D26/37  
D563,004 S \* 2/2008 Biglarians ..... D26/38

\* cited by examiner

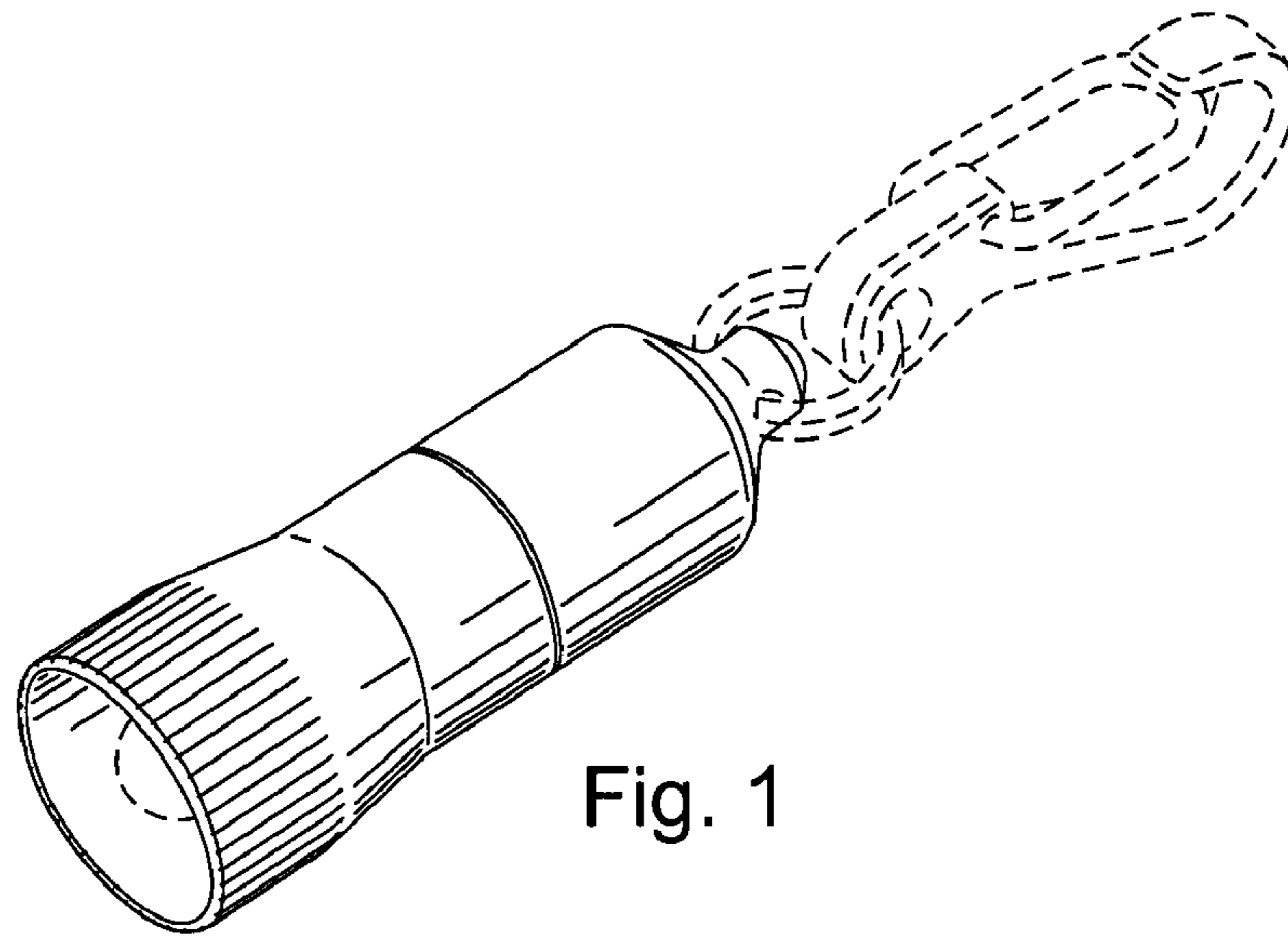


Fig. 1

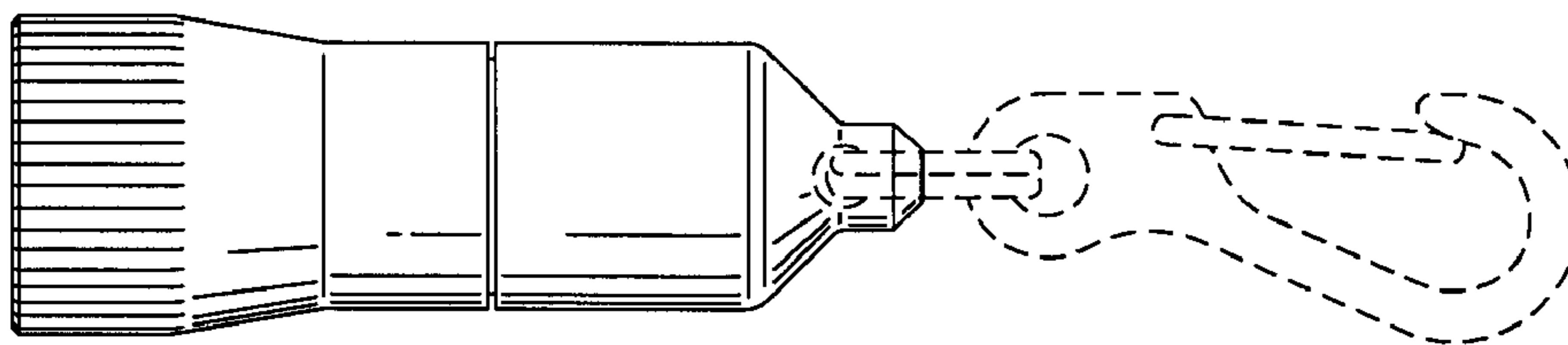


Fig. 2

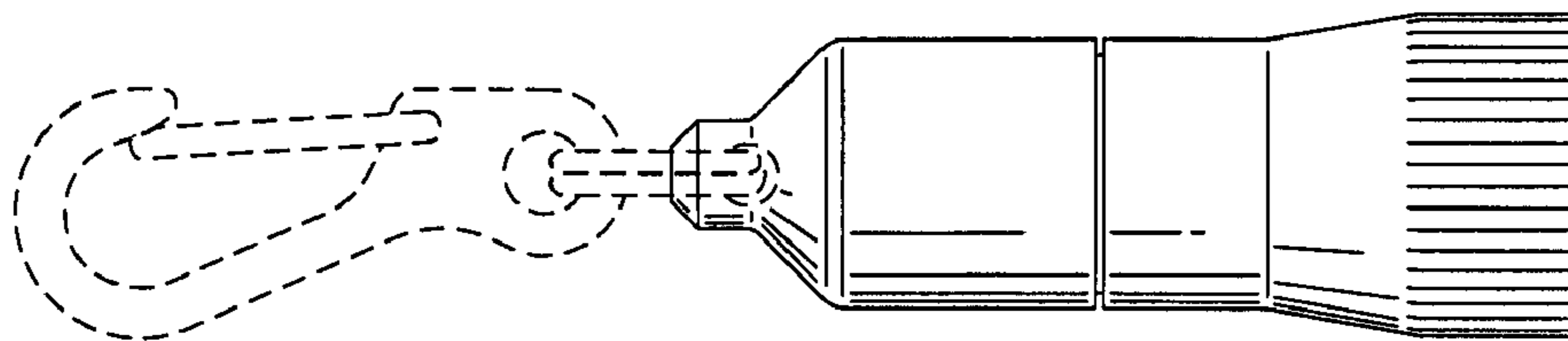


Fig. 3

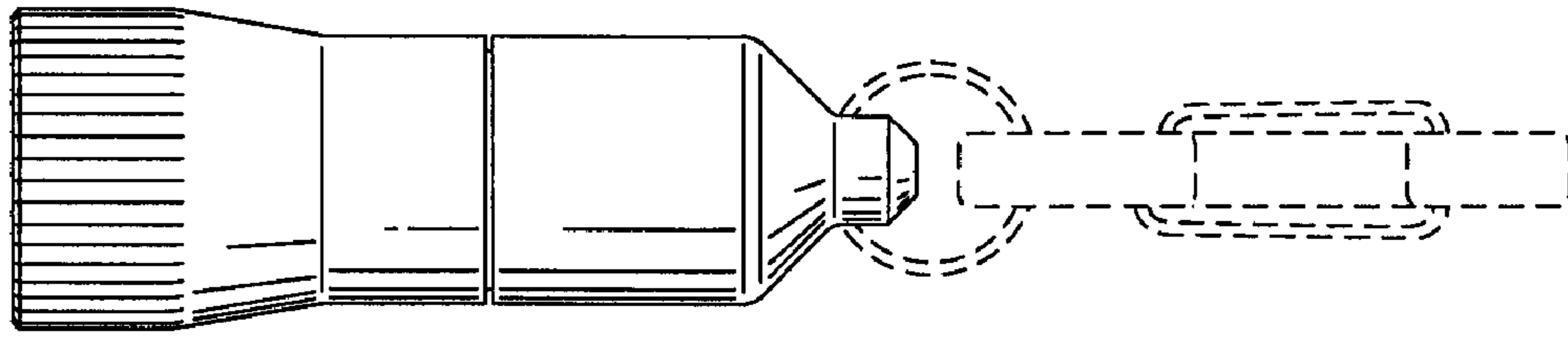


Fig. 4

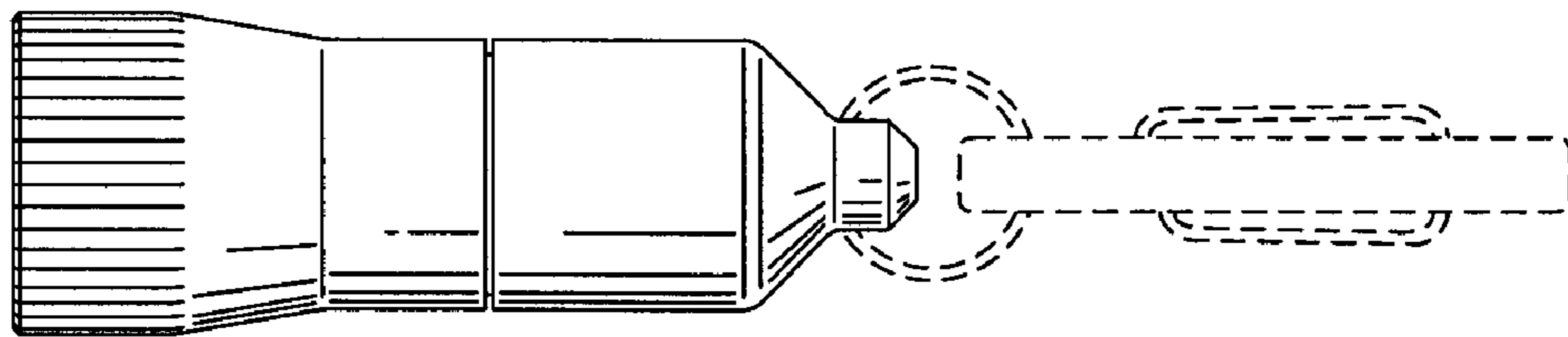


Fig. 5

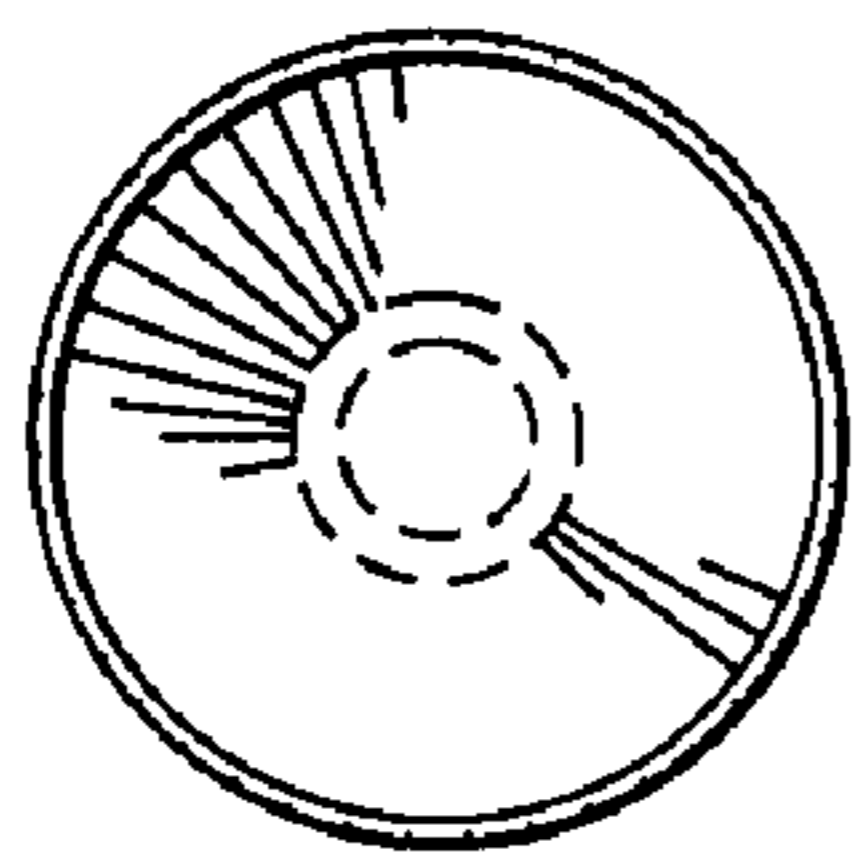


Fig. 6

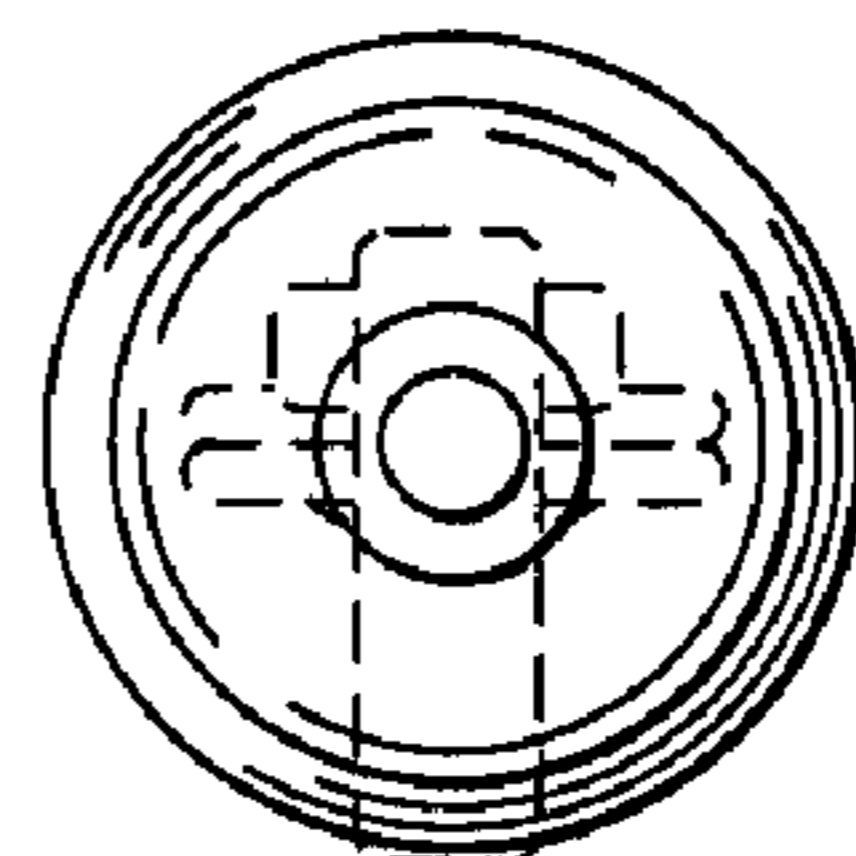


Fig. 7