



US00D572393S

(12) **United States Design Patent**
Johnston et al.

(10) **Patent No.:** **US D572,393 S**
(45) **Date of Patent:** **** Jul. 1, 2008**

(54) **STOWED READING LIGHT**

(75) Inventors: **John E. Johnston**, Redwood City, CA (US); **Jaremy J. Flake**, Springville, UT (US); **Michael S. Horito**, Provo, UT (US)

(73) Assignee: **Amazon Technologies, Inc.**, Seattle, WA (US)

(**) Term: **14 Years**

(21) Appl. No.: **29/278,440**

(22) Filed: **Mar. 29, 2007**

(51) **LOC (8) Cl.** **26-02**

(52) **U.S. Cl.** **D26/37**

(58) **Field of Classification Search** D26/37–50;
362/157, 158, 171–174, 183–208

See application file for complete search history.

(56) **References Cited**

U.S. PATENT DOCUMENTS

- D542,451 S * 5/2007 Chan D26/60
- D545,983 S * 7/2007 Bennett, Jr. D26/37
- D560,293 S * 1/2008 Uemoto et al. D26/37

OTHER PUBLICATIONS

Bookeen, “Cybook: the neverending book”, retrieved from the internet on Oct. 22, 2007 at <<http://www.bookeen.com/ebook/ebook-reading-device.aspx>>, 2 pages.

“E Ink: Hanlin eReader V2”, retrieved from the internet on Oct. 22, 2007 at <<http://www.jinke.com.cn/compagesql/English/embedpro/prodetail.asp?id=20>>, 2 pages.

“E-book device”, Wikipedia, retrieved from the internet on Oct. 22, 2007 at <<http://en.wikipedia.org/wiki/E-book_device>>, 2 pages.

“Hanlin eReader V2: Readman”, Apr. 2006, Tianjin Jinke Electronics, Co. LTD 2006, 1 page.

Retrieved from the internet on Oct. 22, 2007 at <<http://upload.wikimedia.org/wikipedia/en/9/91/Iriverbook2.jpg>>, 1 page.

“iLiad”, Wikipedia, retrieved from the internet on Oct. 22, 2007 at <<http://en.wikipedia.org/wiki/iLiad>>, 3 pages.

“Image: Laptop-ebook.jpg”, Wikipedia, retrieved from the internet on Oct. 22, 2007 at <<http://en.wikipedia.org/wiki/Image:Laptop-ebook.jpg>>, 2 pages.

“Image:Iriverbook2.jpg”, Wikipedia, retrieved from the internet on Oct. 22, 2007 at <<http://en.wikipedia.org/wiki/Image:Iriverbook2.jpg>>, 3 pages.

“New to E-Books”, Club Lighthouse Publishing, retrieved from the internet on Oct. 22, 2007 at <<http://www.clublighthousepublishing.com/NEW_TO_%20EBOOKS_PAGE.htm>>, 3 pages.

(Continued)

Primary Examiner—Marcus A. Jackson

(74) *Attorney, Agent, or Firm*—Lee & Hayes, PLLC

(57) **CLAIM**

The ornamental design for a stowed reading light, as shown and described.

DESCRIPTION

FIG. 1 is a perspective view of a stowed reading light according to one implementation;

FIG. 2 is a top plan view of the stowed reading light of FIG. 1;

FIG. 3 is a front elevation view of the stowed reading light of FIG. 1;

FIG. 4 is a bottom plan view of the stowed reading light of FIG. 1;

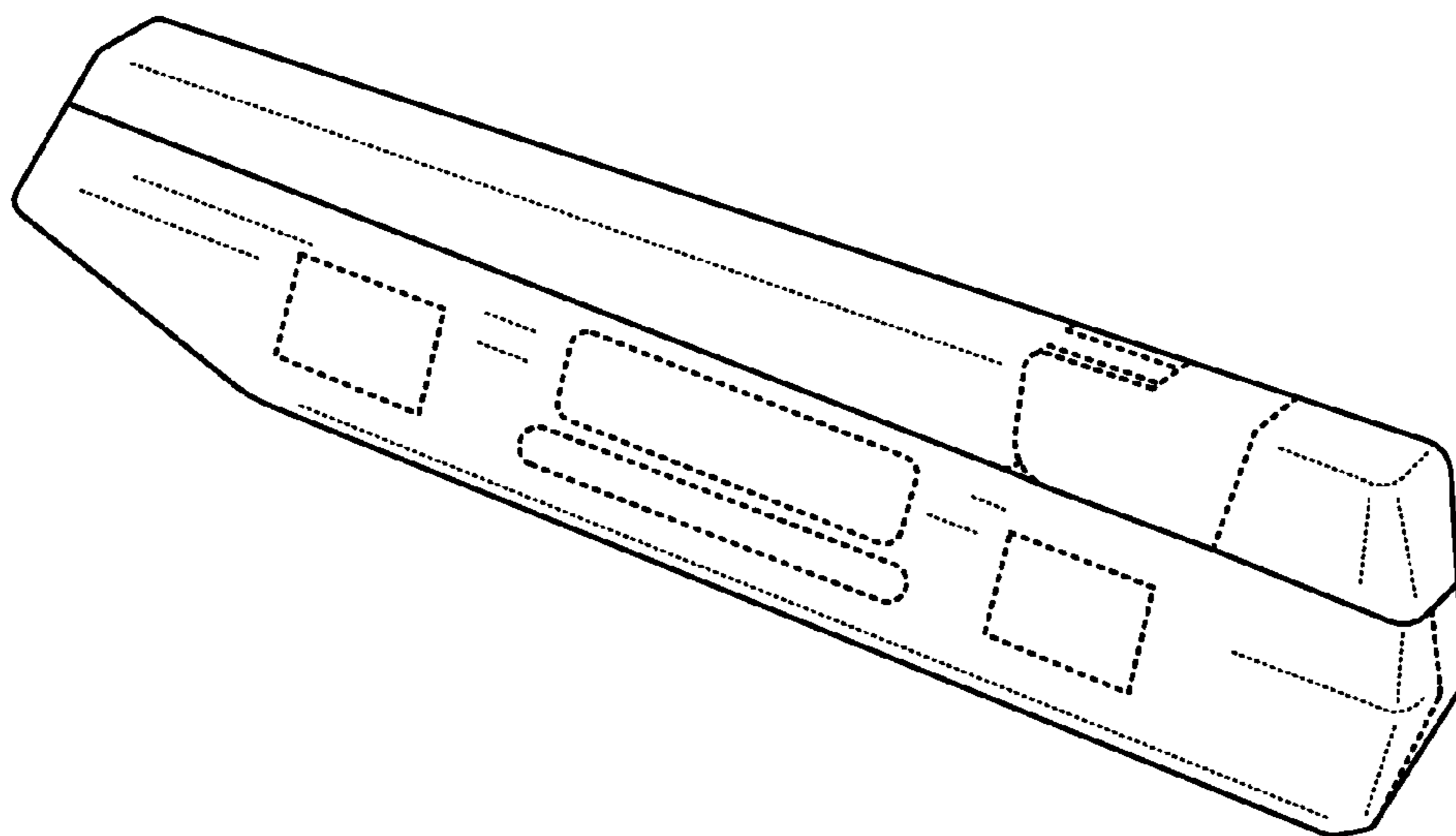
FIG. 5 is a back elevation view of the stowed reading light of FIG. 1;

FIG. 6 is a left side elevation view of the stowed reading light of FIG. 1; and,

FIG. 7 is a right side elevation view of the stowed reading light of FIG. 1.

The portions shown in broken lines form no part of the claimed design.

1 Claim, 2 Drawing Sheets



OTHER PUBLICATIONS

NUUT e-Book, "NUUT Keyword", retrieved from the internet on Oct. 22, 2007 at <<<http://nuutbook.com/html/detail.asp>>>, 3 pages.

"Sony Librie EBR-1000EP", Wikipedia, retrieved from the internet on Oct. 22, 2007 at <<<http://en.wikipedia.org/wiki/Libri%C3%A9>>>, 2 pages.

"Sony Reader", Wikipedia, retrieved from the internet on Oct. 22, 2007 at <<http://en.wikipedia.org/wiki/Sony_Reader>>. 4 pages.

"Amazon Kindle: meet Amazon's e-book reader", retrieved from the internet on Nov. 20, 2007 at <<<http://www.engadget.com/2006/09/11/amazon-kindle-meet-amazons-e-book-reader/>>>, 9 pages.

* cited by examiner

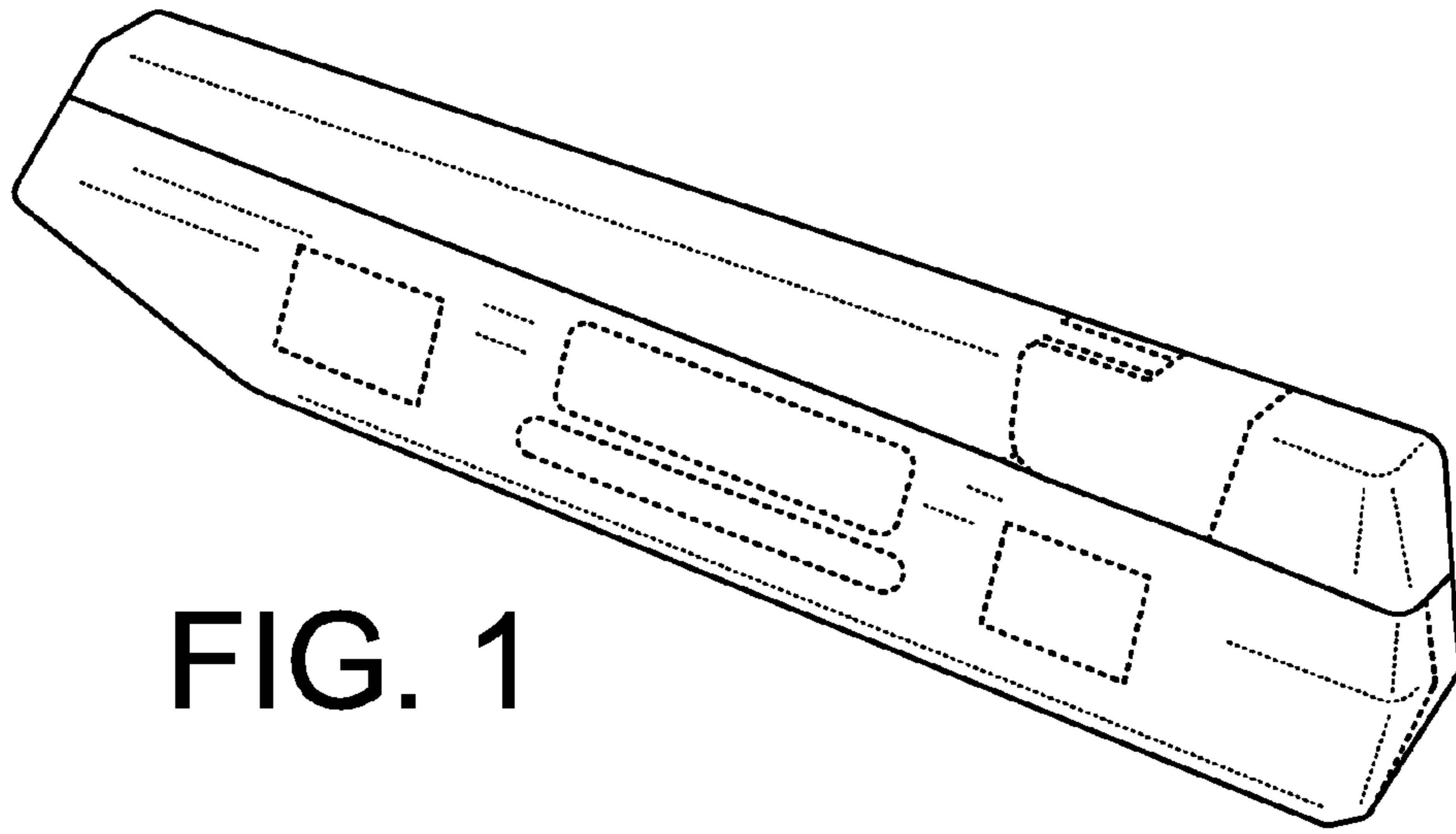


FIG. 1

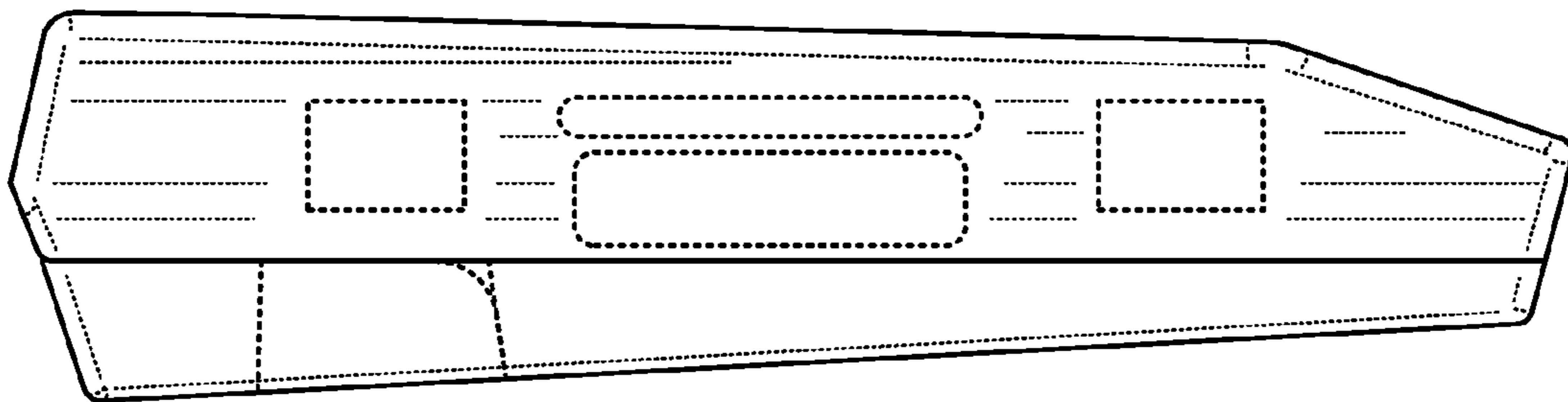


FIG. 2

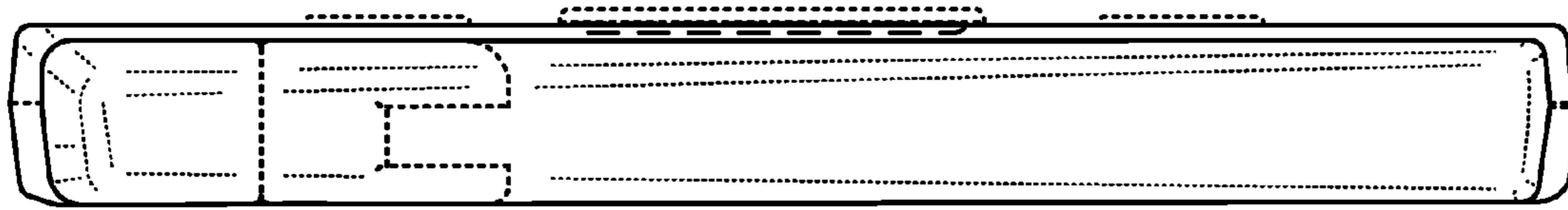


FIG. 3

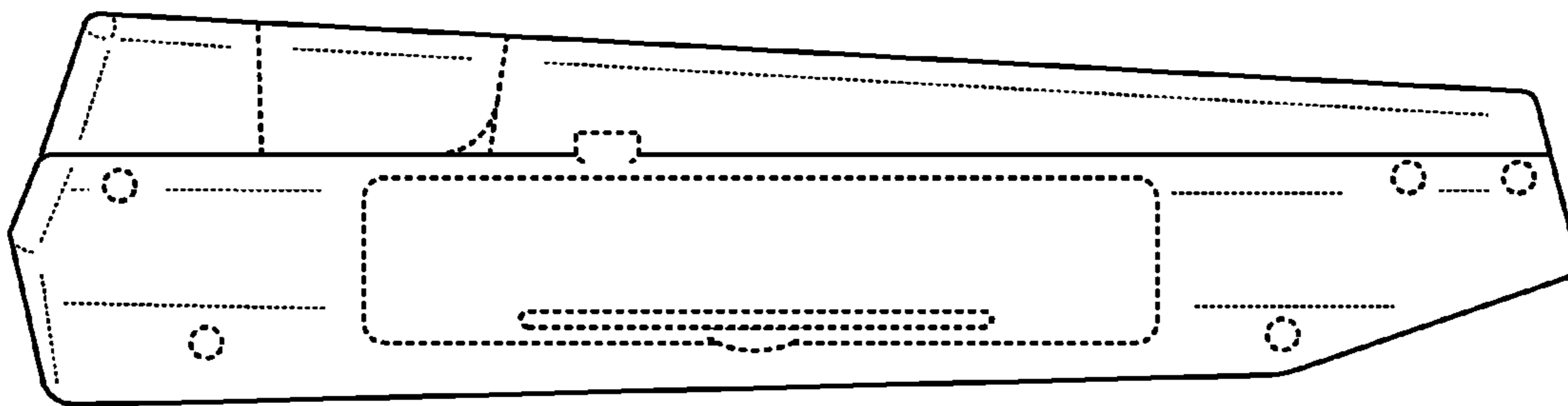


FIG. 4

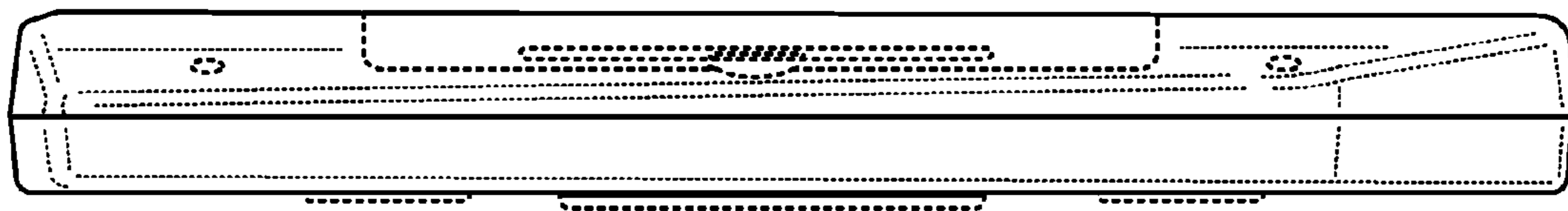


FIG. 5

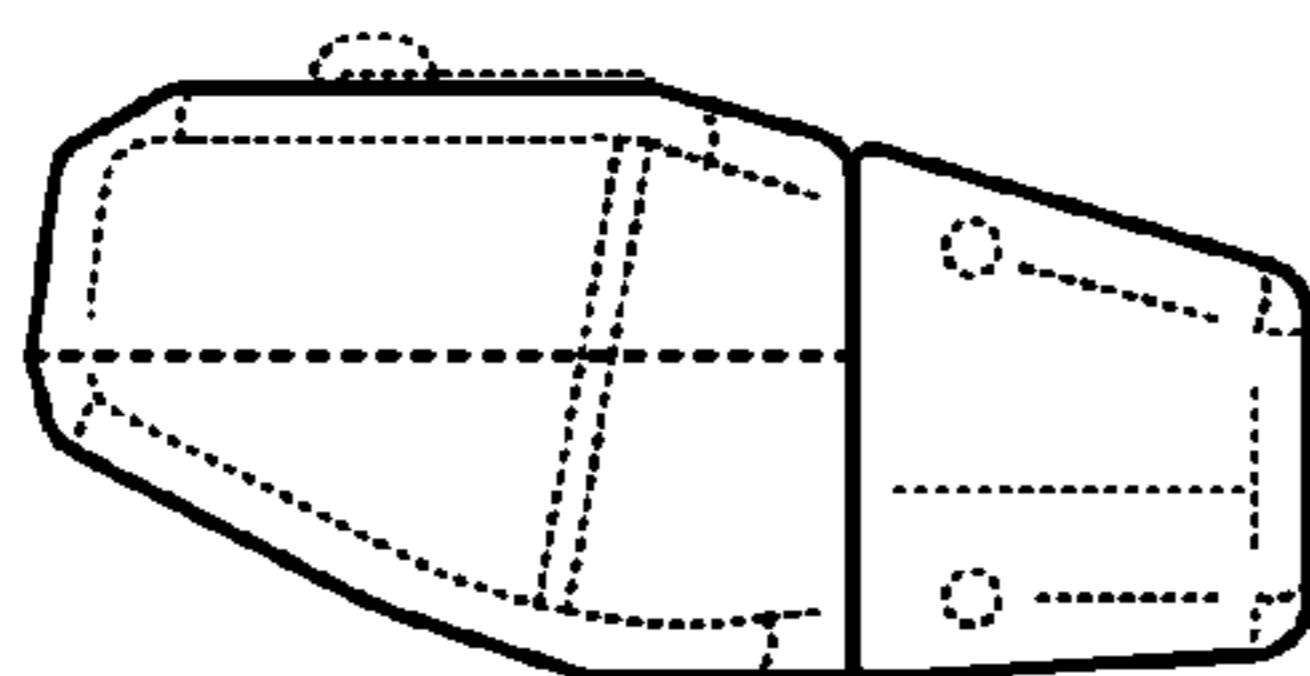


FIG. 6

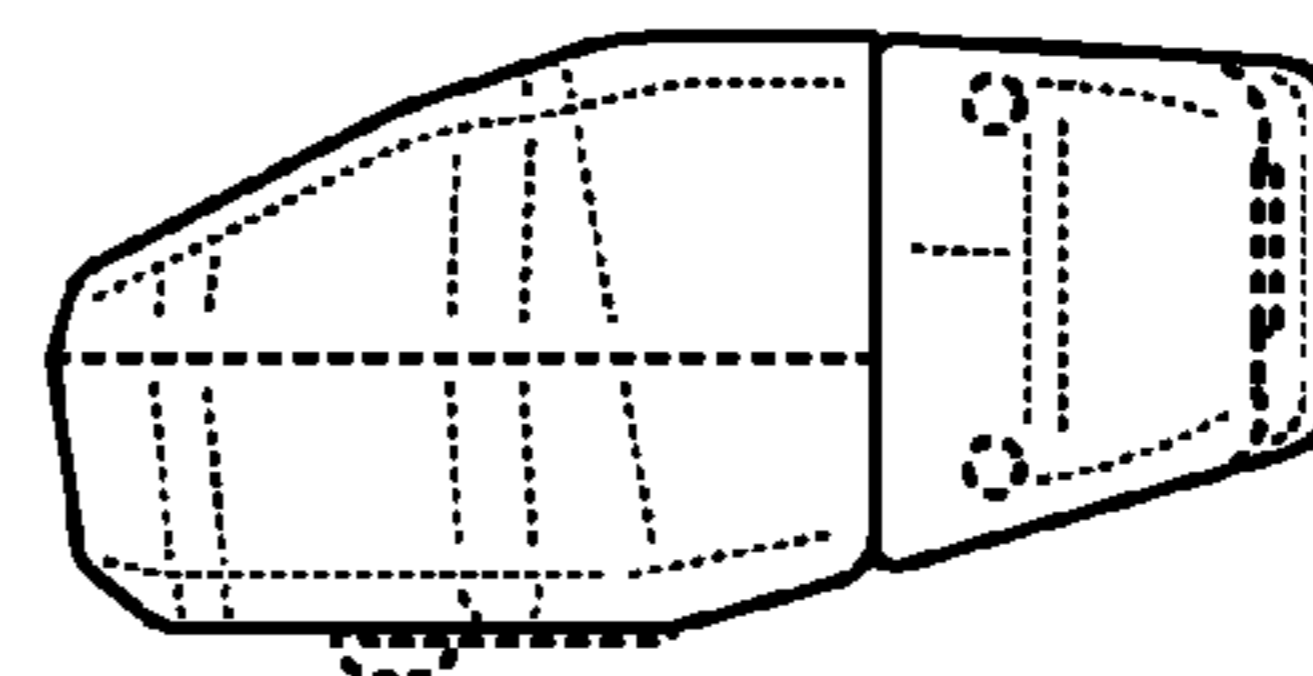


FIG. 7