



US00D572391S

(12) **United States Design Patent**  
**Kouchi et al.**

(10) **Patent No.:** **US D572,391 S**  
(45) **Date of Patent:** **\*\* Jul. 1, 2008**

(54) **TAIL LIGHT FOR A MOTORCYCLE**

*Primary Examiner*—Marcus A. Jackson

(75) Inventors: **Kaoru Kouchi**, Kakogawa (JP); **Shunji Tanaka**, Kobe (JP)

(57) **CLAIM**

(73) Assignee: **Kawasaki Jukogyo Kabushiki Kaisha**, Hyogo (JP)

The ornamental design for a tail light for a motorcycle, as shown and described.

(\*\*) Term: **14 Years**

(21) Appl. No.: **29/273,734**

(22) Filed: **Mar. 12, 2007**

(30) **Foreign Application Priority Data**

Sep. 15, 2006 (JP) ..... 2006-024776

(51) **LOC (8) Cl.** ..... **26-06**

(52) **U.S. Cl.** ..... **D26/28**

(58) **Field of Classification Search** ..... D26/28-36;  
362/459-468, 475-478, 485-487

See application file for complete search history.

(56) **References Cited**

**U.S. PATENT DOCUMENTS**

D498,012 S *	11/2004	Ballentine	.....	D26/28
D518,203 S *	3/2006	Phillips et al.	.....	D26/28
D529,638 S *	10/2006	Conte	.....	D26/28
D538,955 S *	3/2007	Katagiri et al.	.....	D26/28

\* cited by examiner

**DESCRIPTION**

FIG. 1 is a front elevational view of a tail light for a motorcycle showing our new design;

FIG. 2 is a rear elevational view thereof;

FIG. 3 is a left side elevational view thereof;

FIG. 4 is a top plan view thereof;

FIG. 5 is a bottom plan view thereof;

FIG. 6 is a front perspective view thereof;

FIG. 7 is a rear perspective view thereof; and,

FIG. 8 is a reference view of the tail light for a motorcycle, shown in position of use.

A right side elevational view is a mirror image of FIG. 3.

The broken line showing of the environment is for illustrative purposes only and forms no part of the claimed designs.

The portion encompassed by a solid line is the design sought to be patented.

**1 Claim, 8 Drawing Sheets**

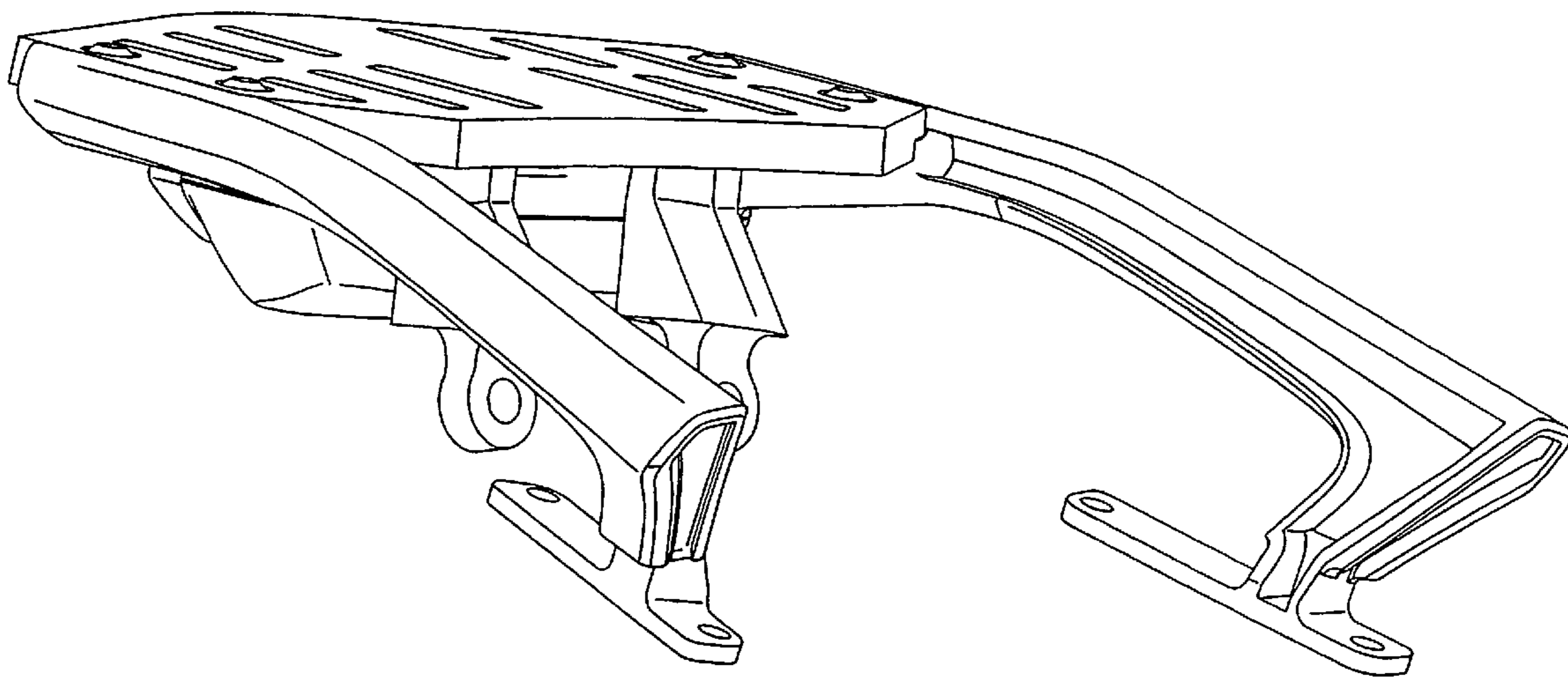


Fig. 1

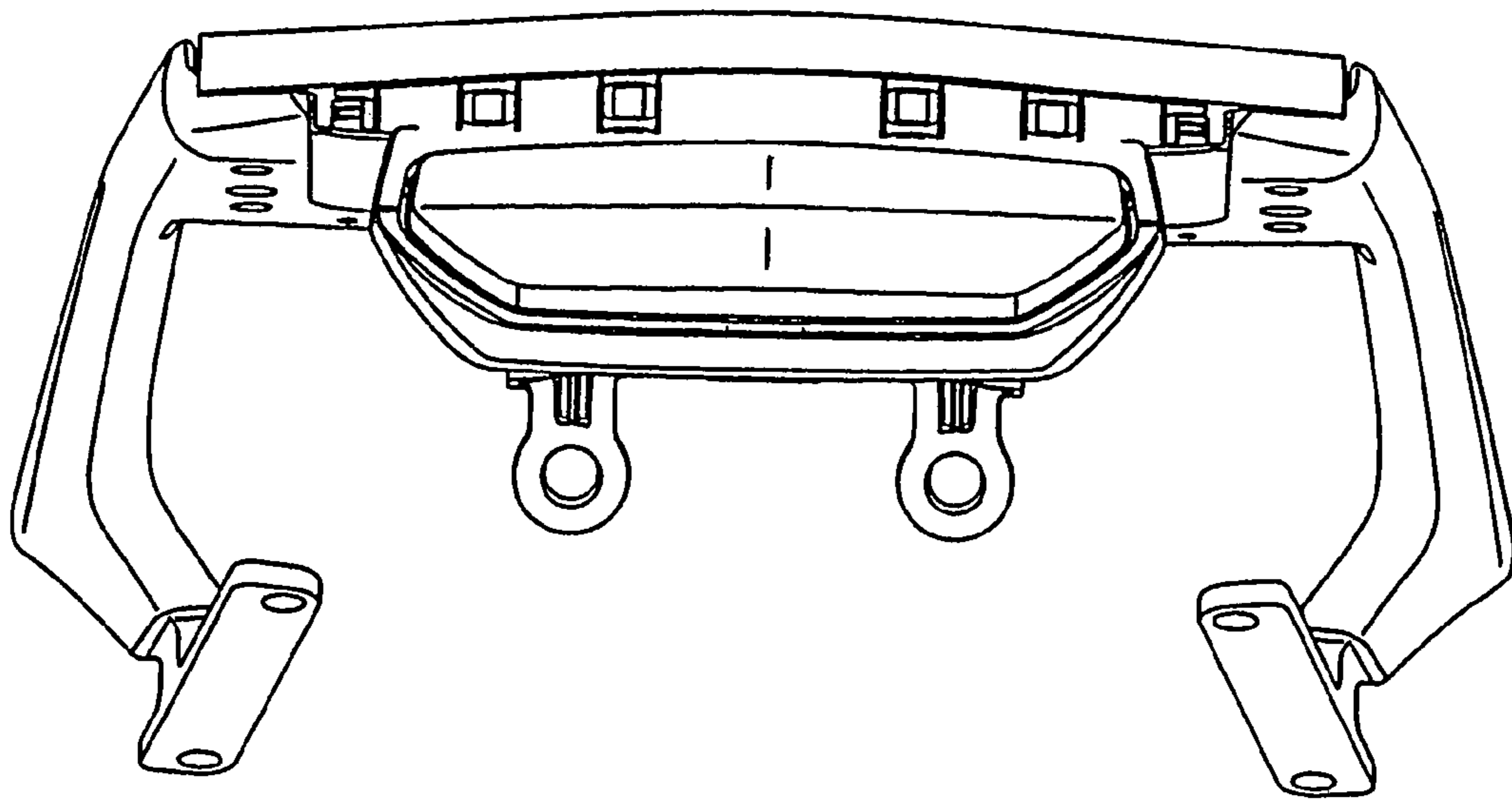


Fig. 2

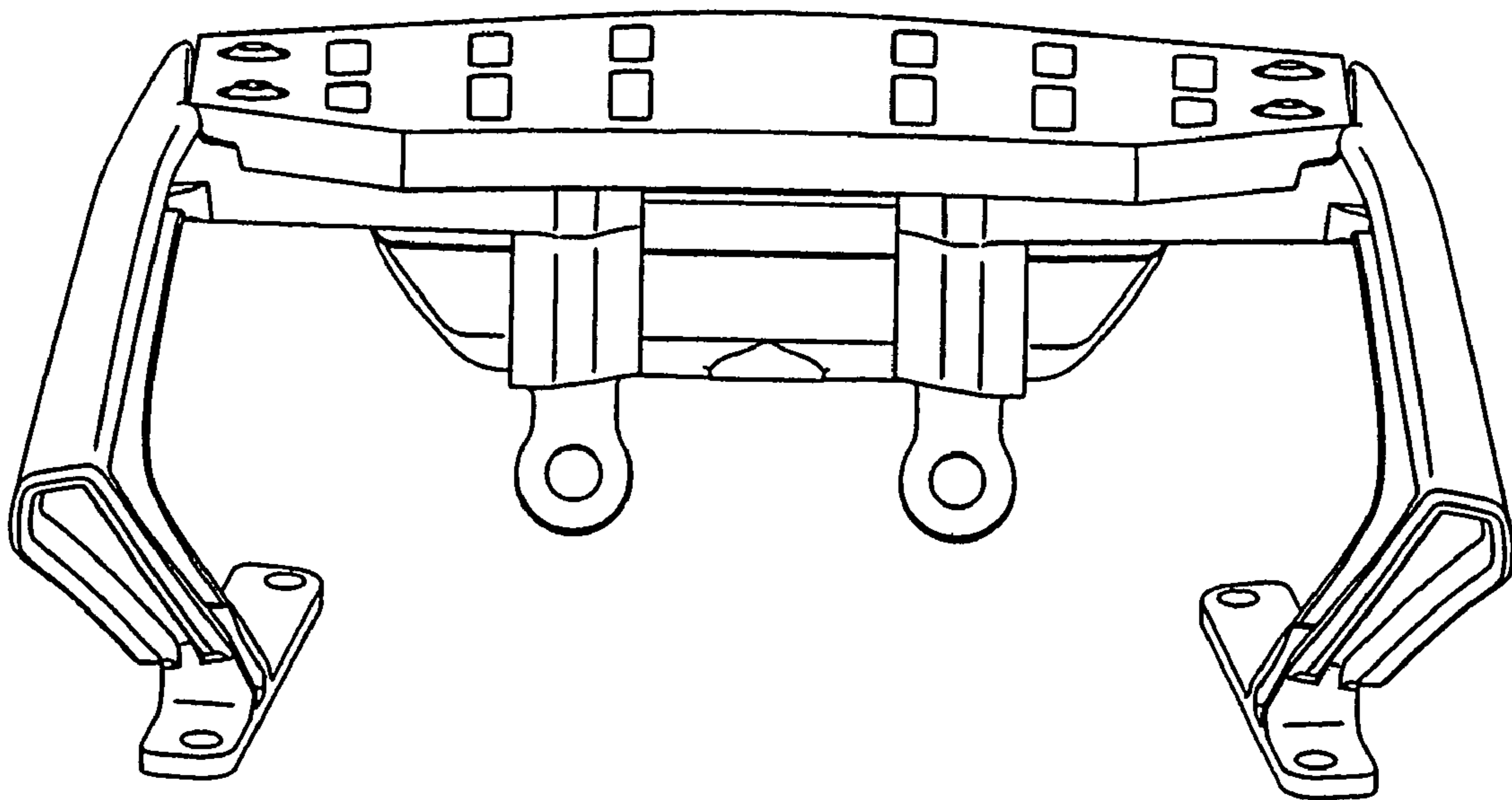


Fig. 3

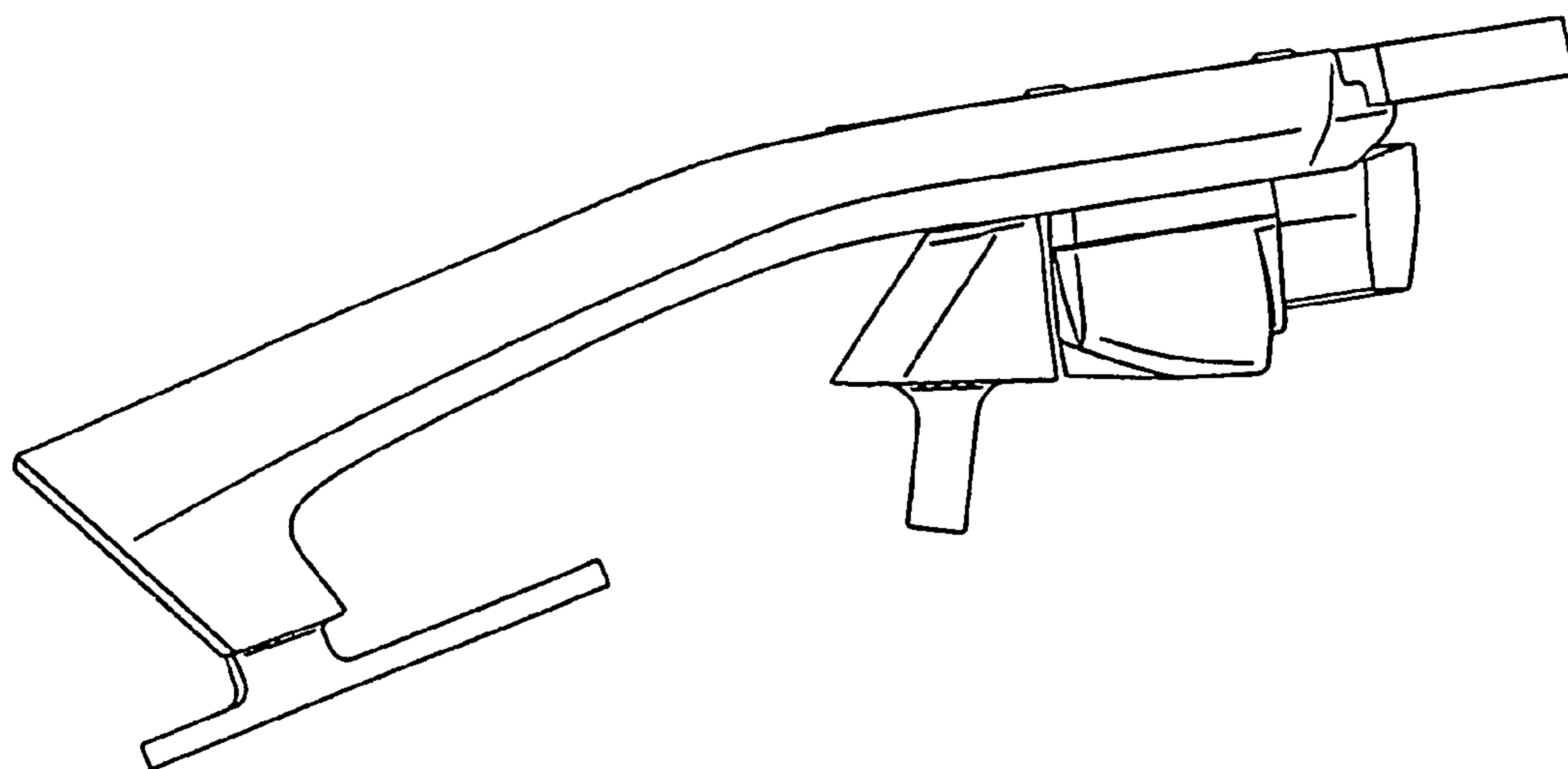


Fig. 4

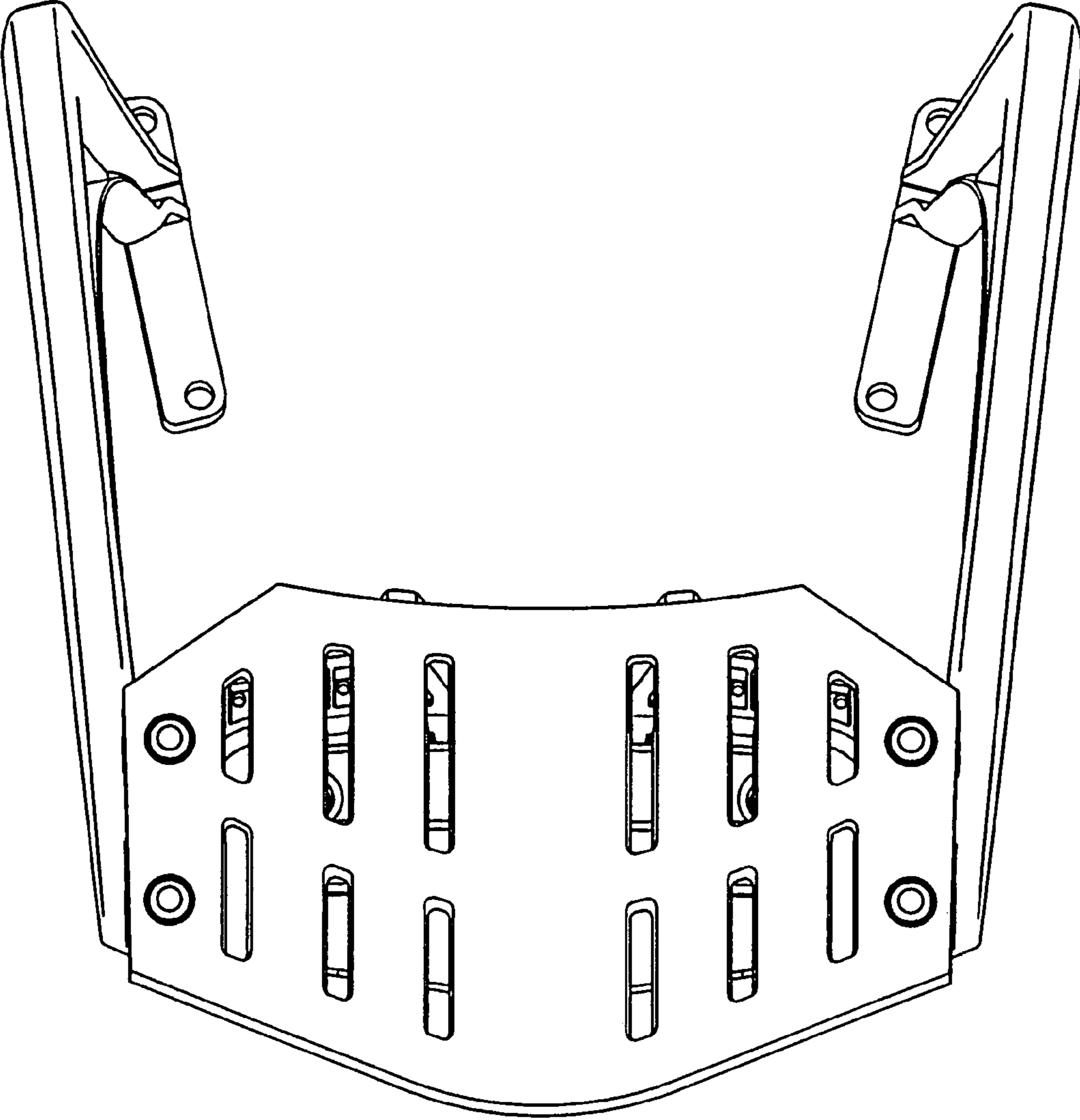
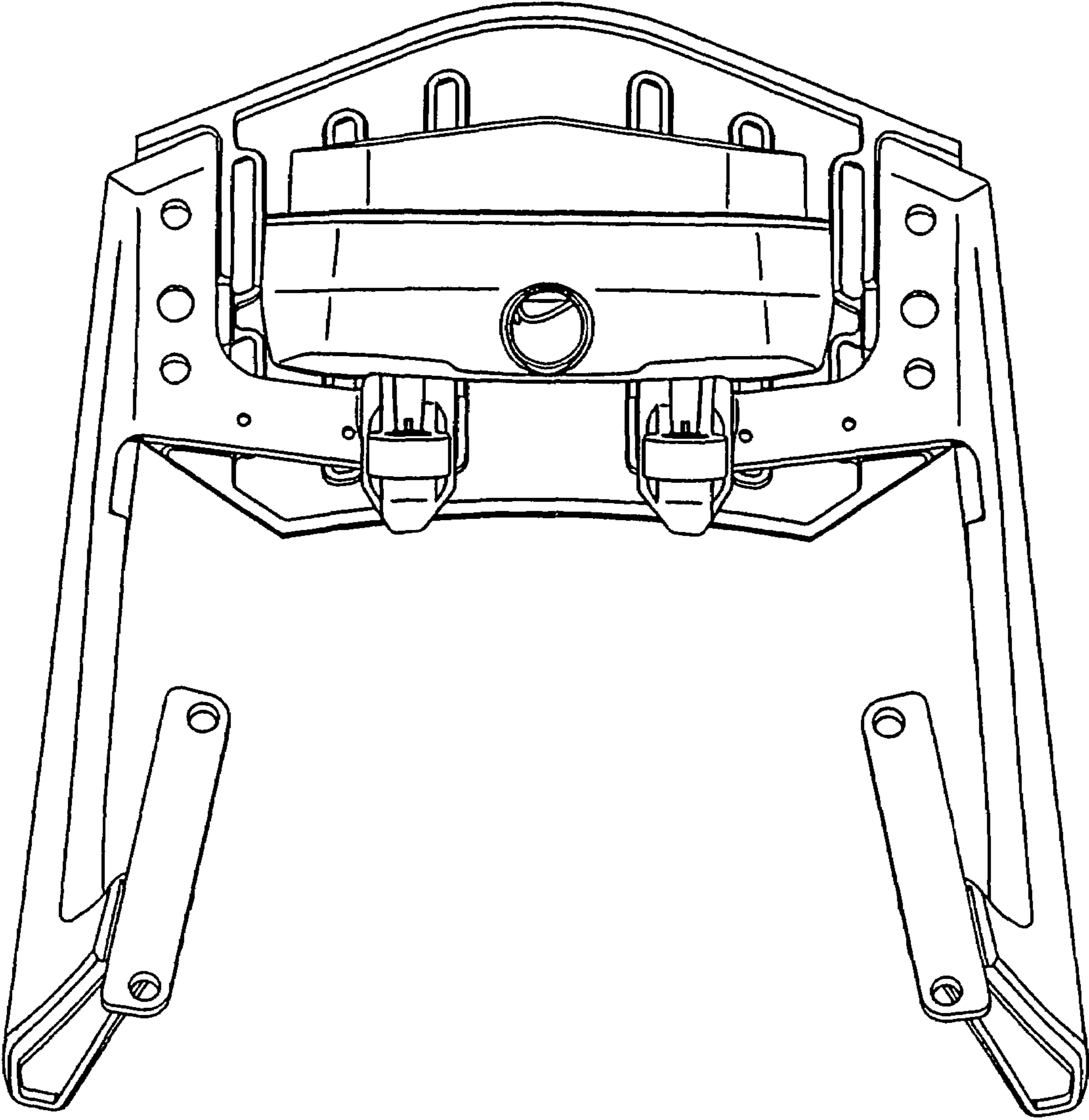


Fig. 5



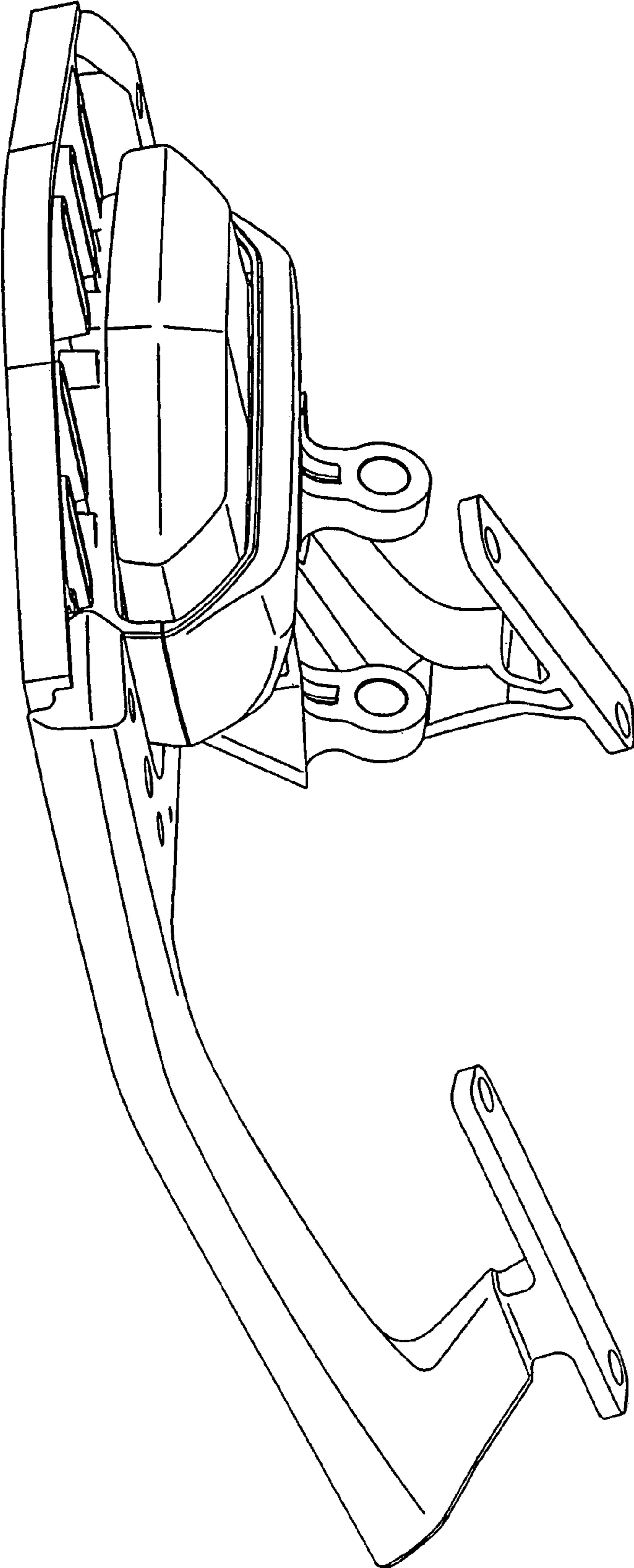


Fig. 6

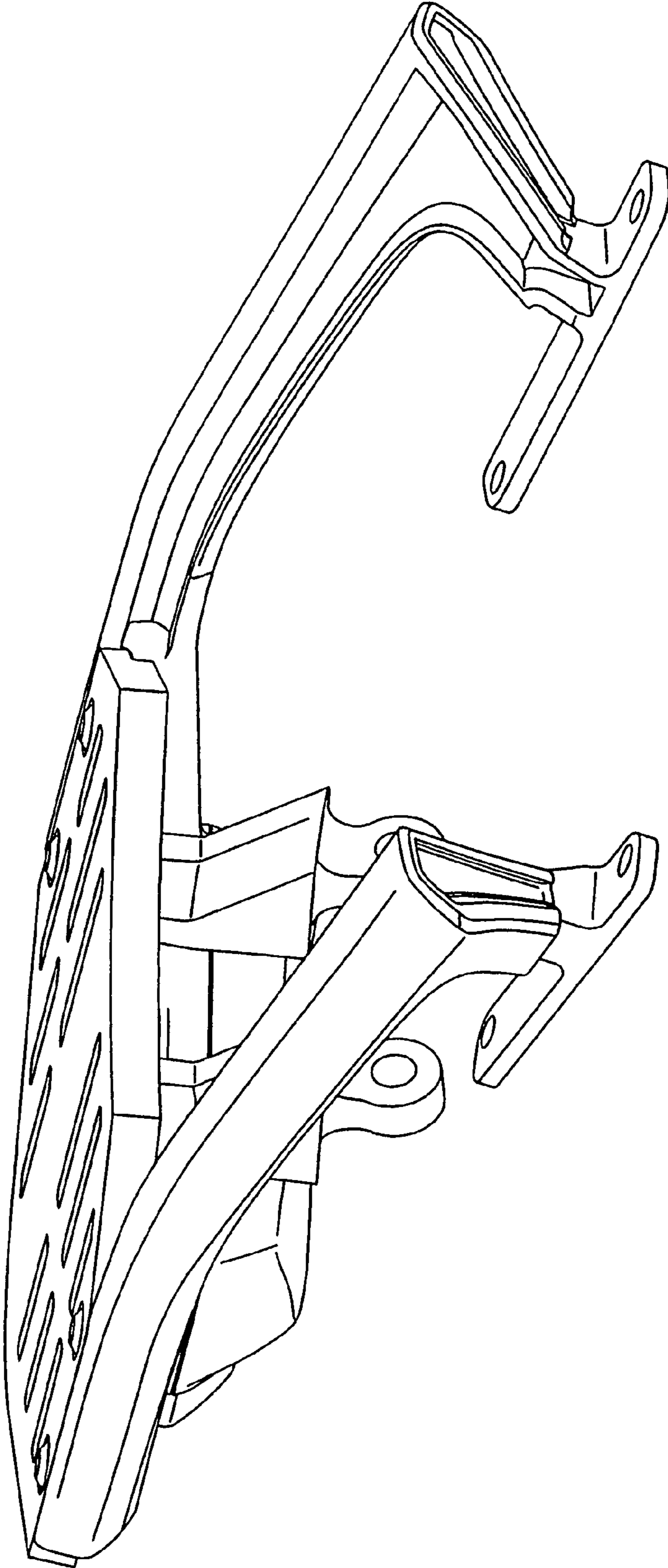


Fig. 7



Fig. 8

