



US00D572388S

(12) **United States Design Patent**
Uemoto et al.

(10) **Patent No.:** **US D572,388 S**
(45) **Date of Patent:** **** Jul. 1, 2008**

(54) **LIGHTING APPARATUS**

(75) Inventors: **Takaari Uemoto**, Kadoma (JP); **Keiji Nishimoto**, Kadoma (JP); **Yasuharu Ueno**, Kadoma (JP); **Satoshi Shida**, Kadoma (JP); **Yuji Omata**, Kadoma (JP)

(73) Assignee: **Matsushita Electric Industrial Co., Ltd.**, Osaka (JP)

(**) Term: **14 Years**

(21) Appl. No.: **29/299,104**

(22) Filed: **Dec. 19, 2007**

Related U.S. Application Data

(62) Division of application No. 29/270,317, filed on Dec. 19, 2006.

(51) **LOC (8) Cl.** **26-04**

(52) **U.S. Cl.** **D26/24; D26/1**

(58) **Field of Classification Search** D26/24,
D26/1, 2, 37, 72, 74, 80, 81, 83, 93, 105,
D26/113, 25; D13/180, 182; 362/612, 631,
362/555, 89, 147, 153, 257, 800; 257/79,
257/80, 82, 88, 433; 313/500

See application file for complete search history.

(56) **References Cited**

U.S. PATENT DOCUMENTS

5,706,378	A *	1/1998	Suzuki et al.	385/49
6,172,425	B1 *	1/2001	Steijer et al.	257/787
6,298,192	B1 *	10/2001	Yoo et al.	385/137
6,555,403	B1 *	4/2003	Domen et al.	438/22
D528,226	S *	9/2006	Nagai et al.	D26/1
D528,672	S *	9/2006	Nagai et al.	D26/1
D529,202	S *	9/2006	Nagai et al.	D26/1
D541,761	S *	5/2007	Saito et al.	D13/180

7,224,000	B2 *	5/2007	Aanegola et al.	257/98
D560,293	S *	1/2008	Uemoto et al.	D26/37
2003/0089694	A1 *	5/2003	Crafts et al.	219/209
2004/0016930	A1 *	1/2004	Yoshida et al.	257/79
2004/0041221	A1 *	3/2004	Boon et al.	257/433
2006/0166386	A1 *	7/2006	Yamada et al.	438/22

FOREIGN PATENT DOCUMENTS

JP 2003-124528 4/2003

OTHER PUBLICATIONS

Uemoto et al., U.S. Design Application entitled "Lighting Apparatus," U.S. Appl. 29/270,311, filed Dec. 19, 2006.

* cited by examiner

Primary Examiner—Cathron Brooks

Assistant Examiner—Angela J Lee

(74) *Attorney, Agent, or Firm*—Brinks Hofer Gilson & Lione

(57) **CLAIM**

We claim the ornamental design for a lighting apparatus, as shown and described.

DESCRIPTION

FIG. 1 is a top perspective view of a lighting apparatus of the present invention;

FIG. 2 is a front view thereof, the rear view being a mirror image thereof;

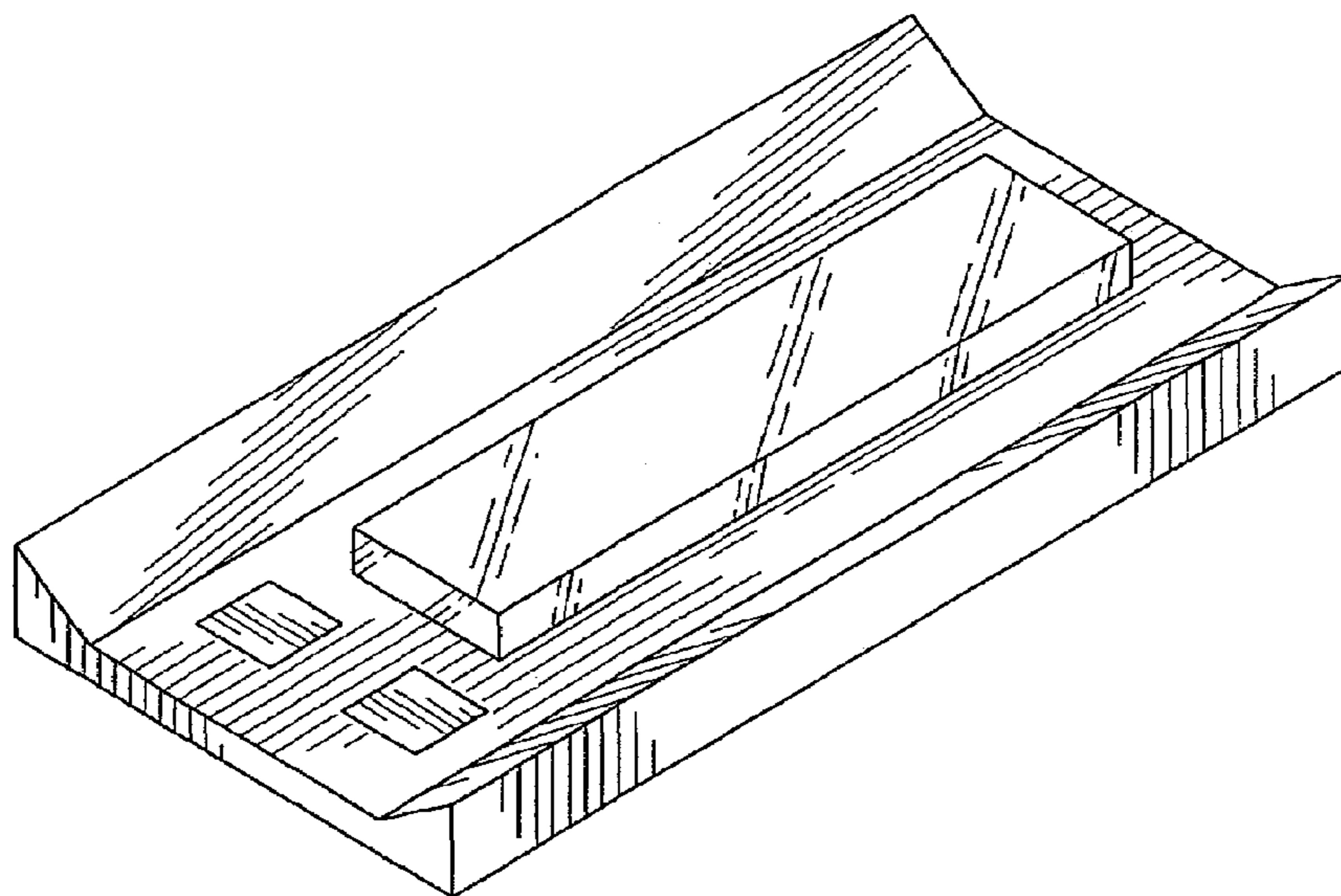
FIG. 3 is a left side view thereof, the right side view being a mirror image thereof;

FIG. 4 is a top view thereof; and,

FIG. 5 is a bottom view thereof.

An elongated elevation on a substrate is opaque. The two squares are electrodes.

1 Claim, 2 Drawing Sheets



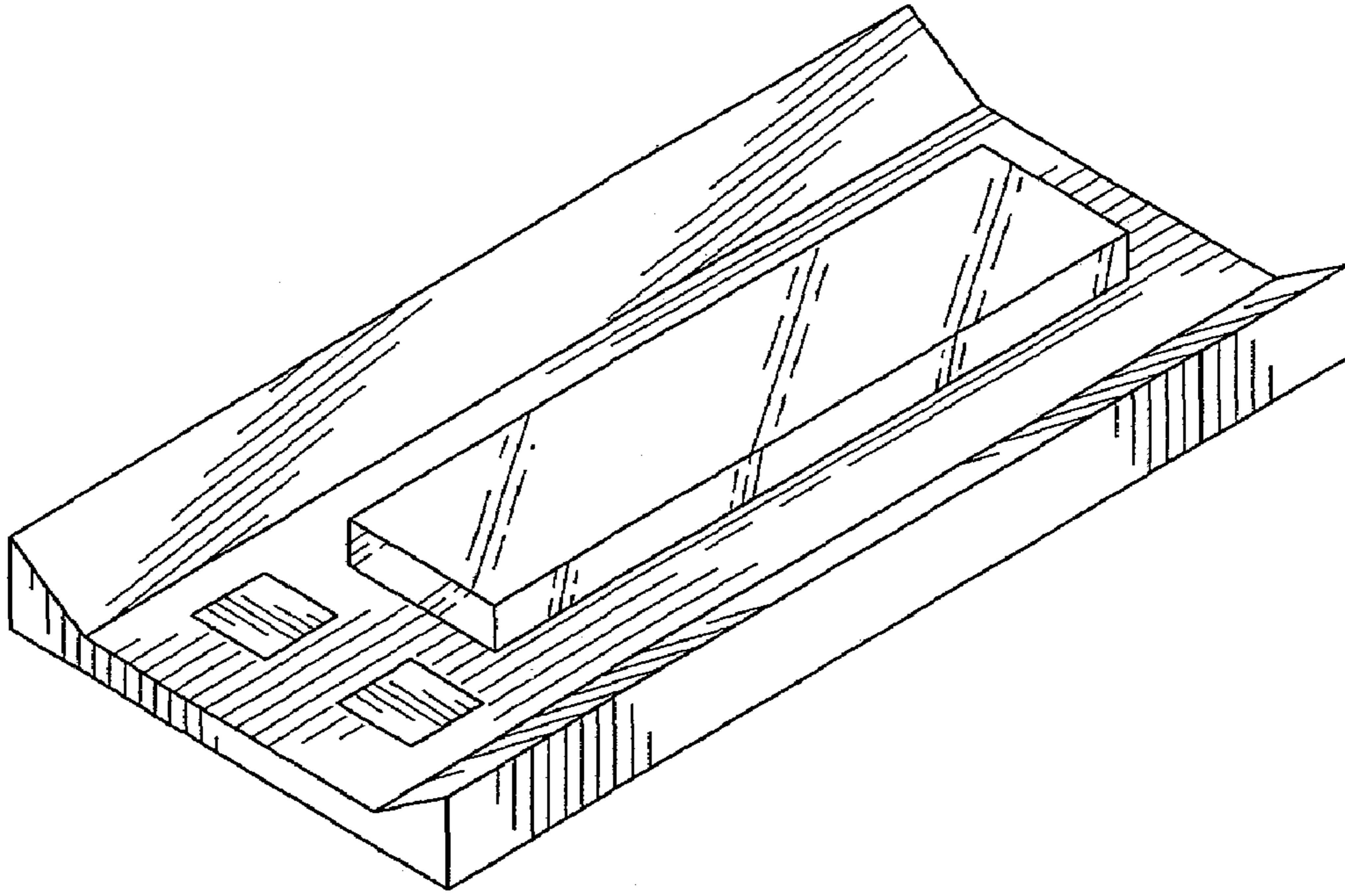


FIG. 1



FIG. 2

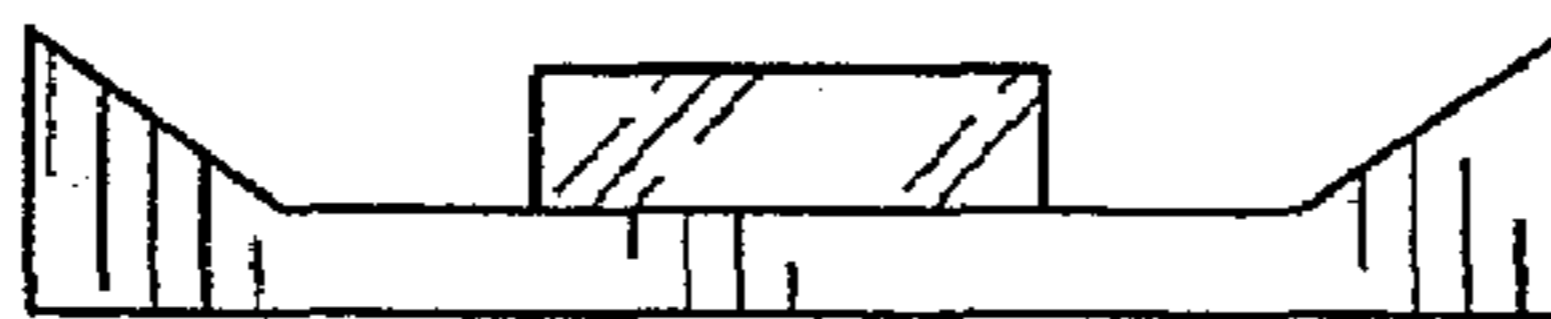


FIG. 3

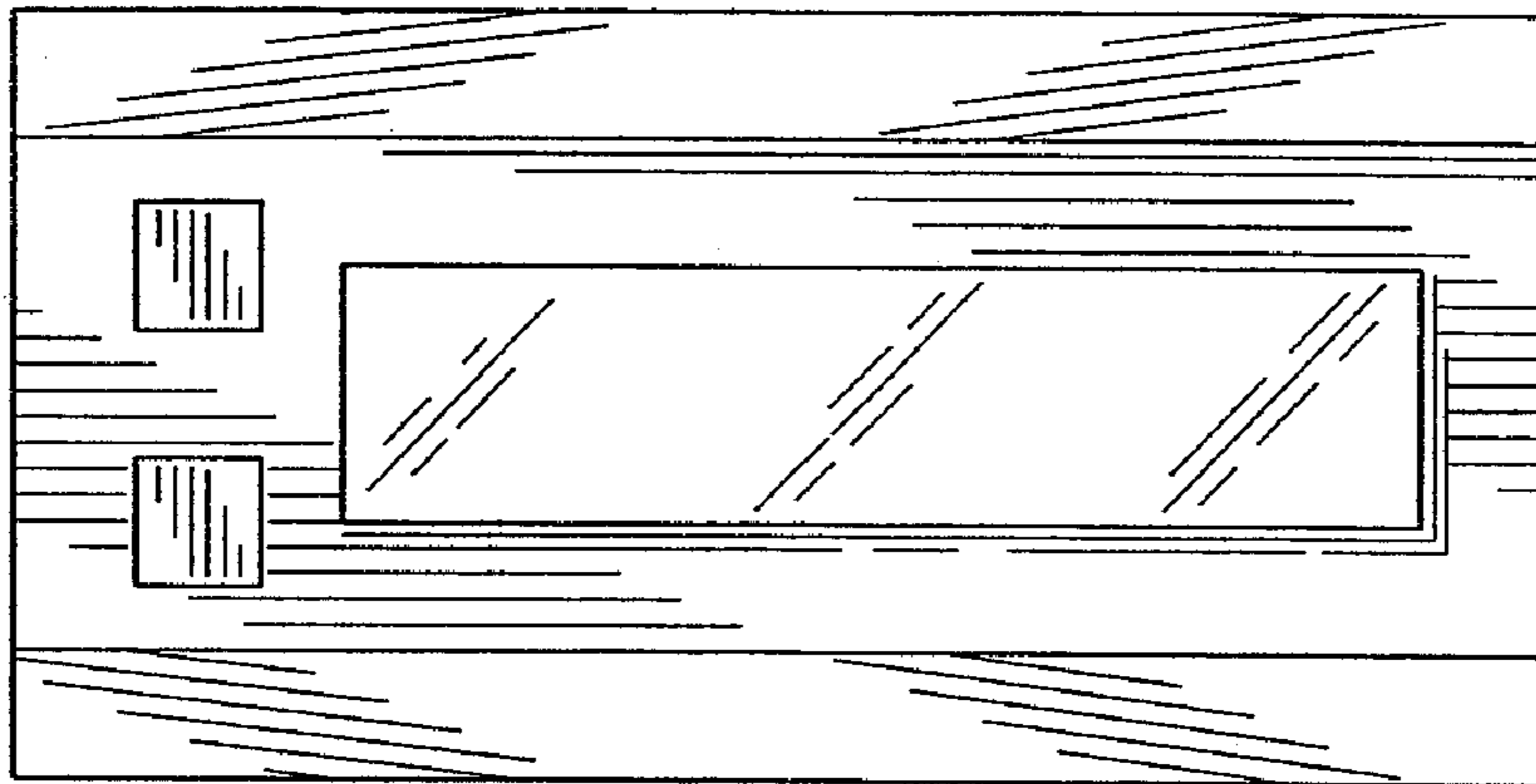


FIG. 4

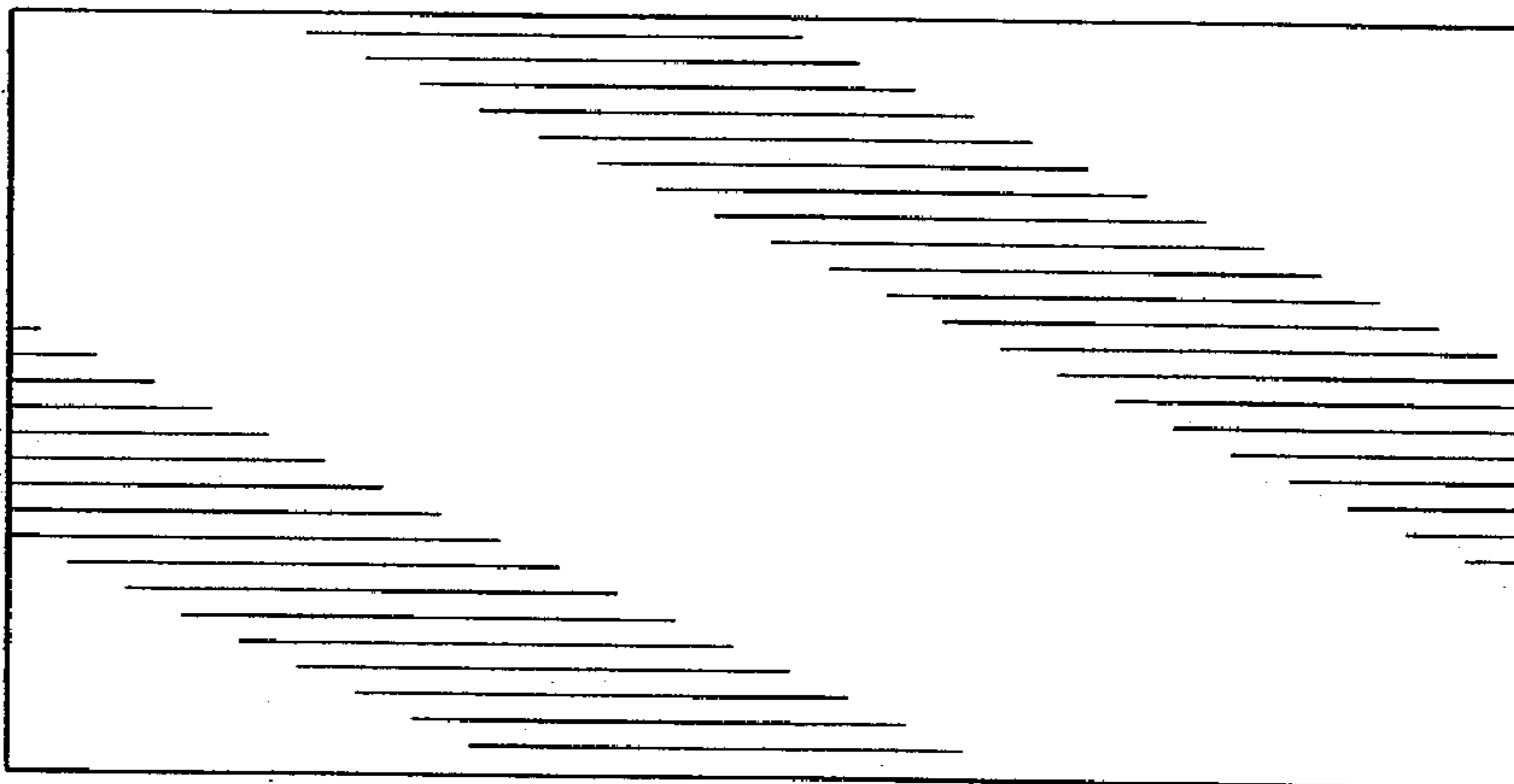


FIG. 5