



US00D572384S

(12) **United States Design Patent**
Park

(10) **Patent No.:** **US D572,384 S**

(45) **Date of Patent:** **** Jul. 1, 2008**

(54) **LAMP FOR OVEN**

(75) Inventor: **James Ji-Hong Park**, Seoul (KR)

(73) Assignee: **Samsung Electronics Co., Ltd.** (KR)

(**) Term: **14 Years**

(21) Appl. No.: **29/234,183**

(22) Filed: **Jul. 14, 2005**

(30) **Foreign Application Priority Data**

Mar. 18, 2005 (KR) 30-2005-0008763

(51) **LOC (8) Cl.** **26-04**

(52) **U.S. Cl.** **D26/1**

(58) **Field of Classification Search** D26/1-4;
313/313, 315, 317, 318, 493; 315/52, 53,
315/56, 57, 58

See application file for complete search history.

(56) **References Cited**

U.S. PATENT DOCUMENTS

D548,372 S * 8/2007 Osiecki et al. D26/24

D550,868 S * 9/2007 Egawa et al. D26/24

* cited by examiner

Primary Examiner—Marcus A. Jackson

(74) *Attorney, Agent, or Firm*—Irving Keschner

(57) **CLAIM**

The ornamental design for lamp for oven, as shown.

DESCRIPTION

FIG. 1 is a perspective view of the ornamental design of the present invention;

FIG. 2 is a front elevational view of the ornamental design of the present invention;

FIG. 3 is a rear elevational view of the ornamental design of the present invention;

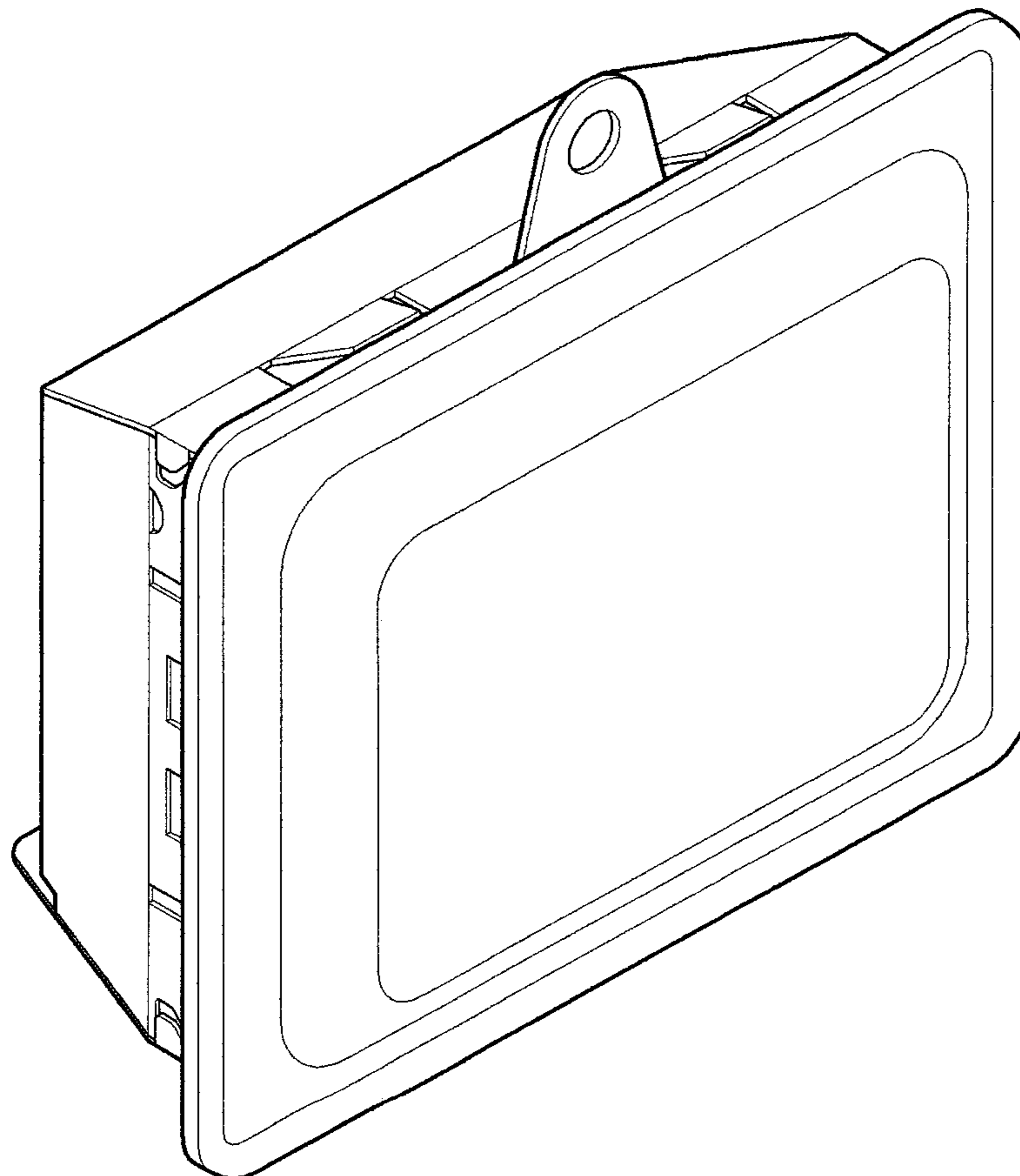
FIG. 4 is a left side elevational view of the ornamental design of the present invention;

FIG. 5 is a right side elevational view of the ornamental design of the present invention;

FIG. 6 is a top plan view of the ornamental design of the present invention; and,

FIG. 7 is a bottom view of the ornamental design of the present invention.

1 Claim, 7 Drawing Sheets



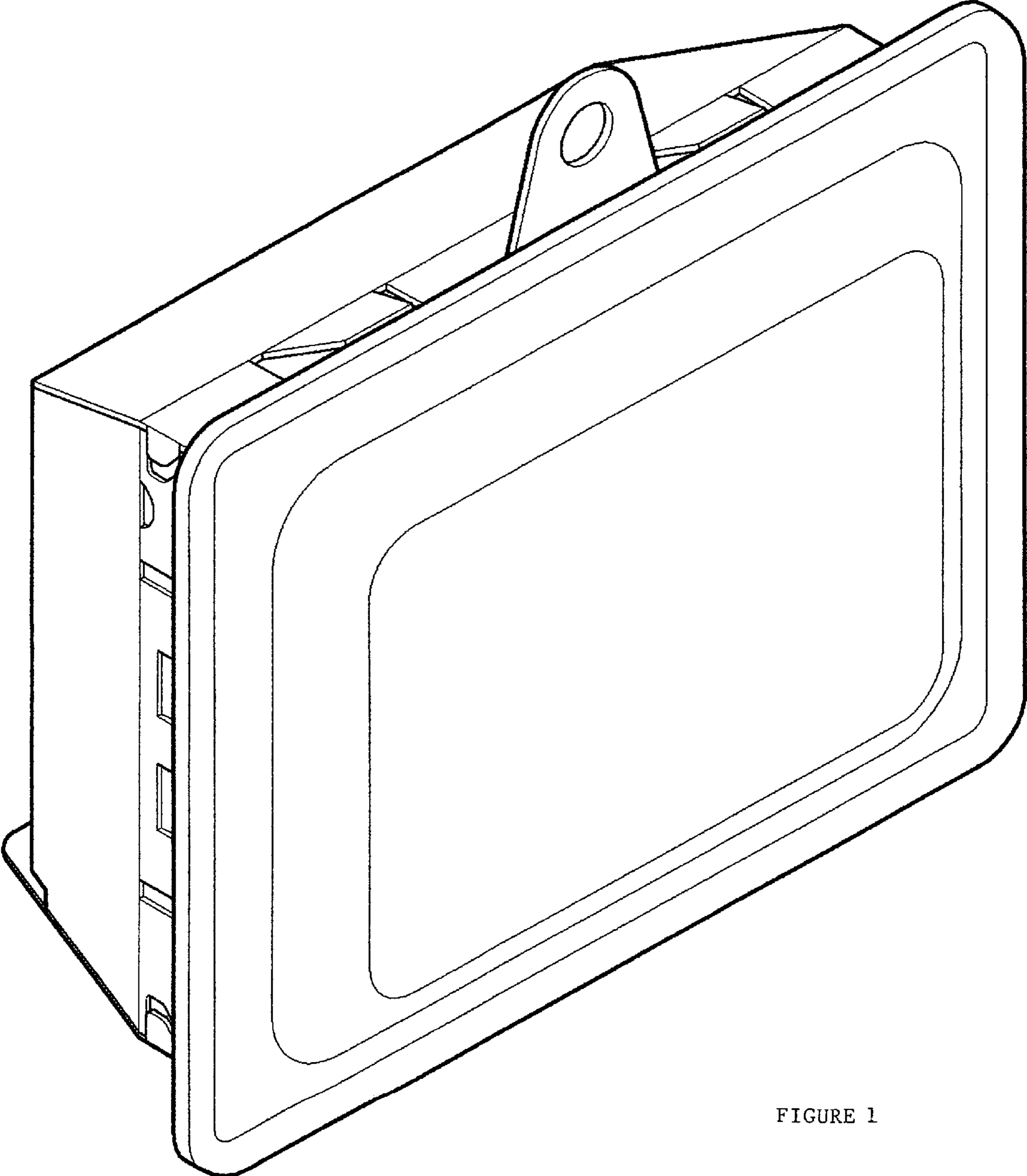


FIGURE 1

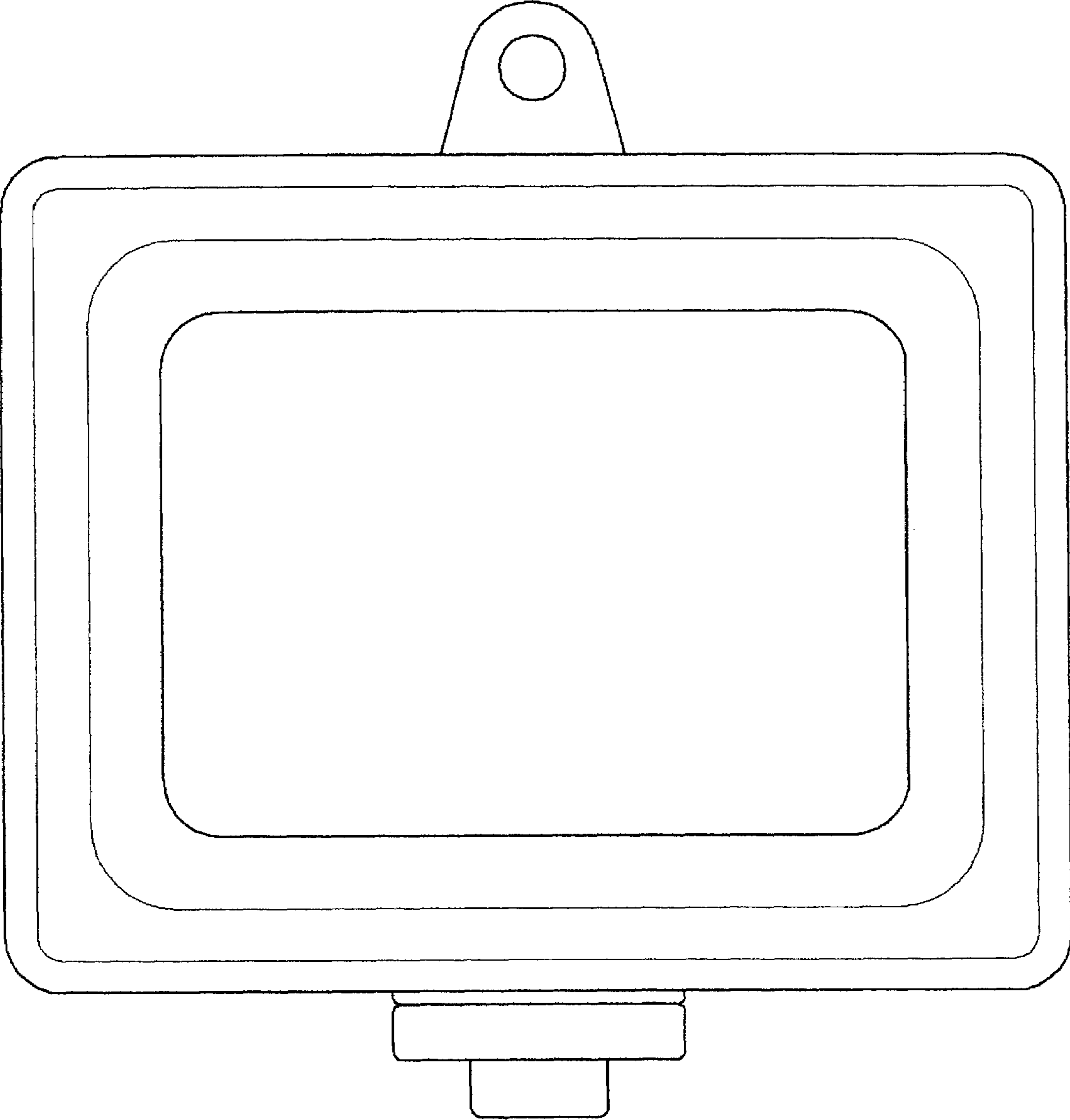


FIGURE 2

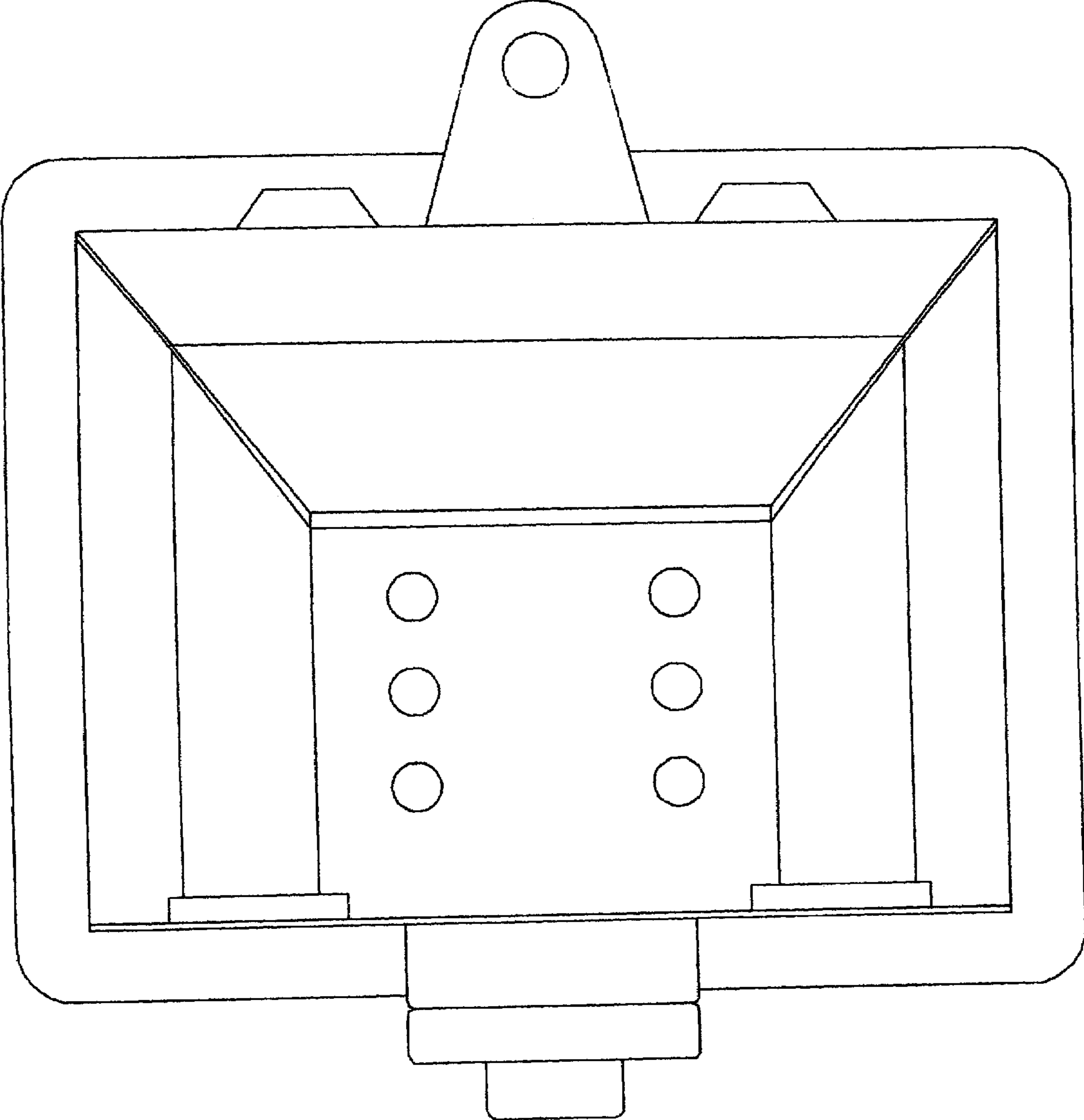


FIGURE 3

FIGURE 4

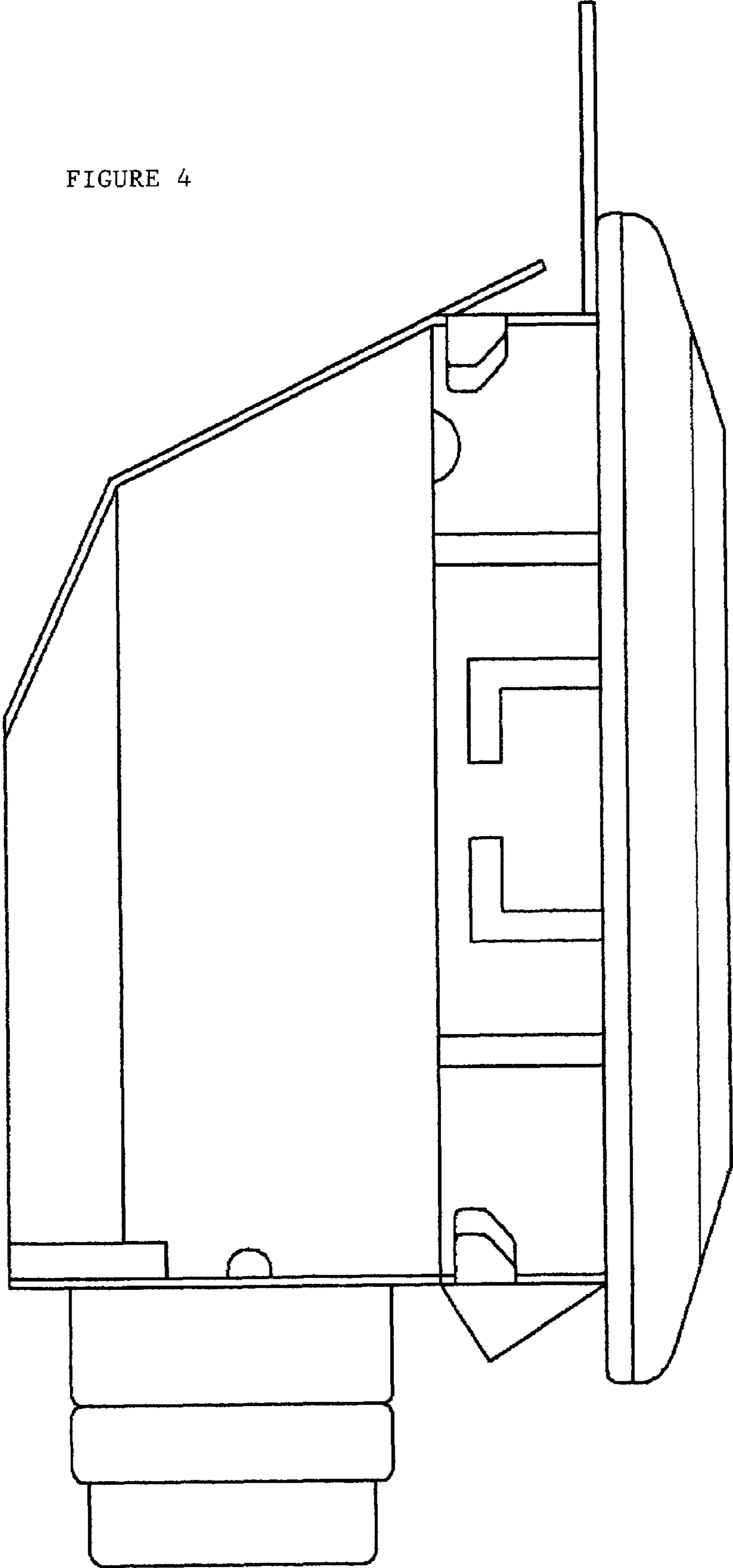
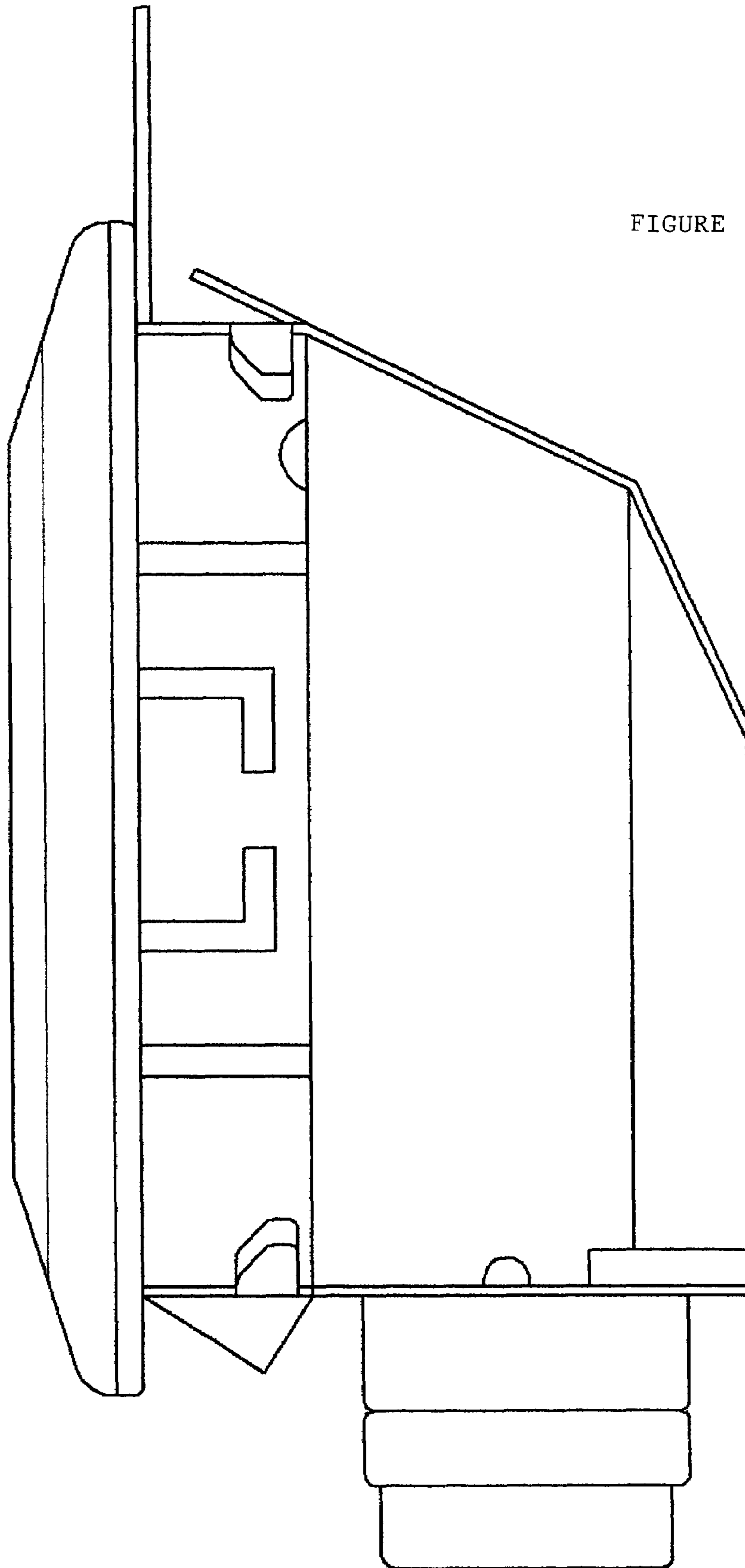


FIGURE 5



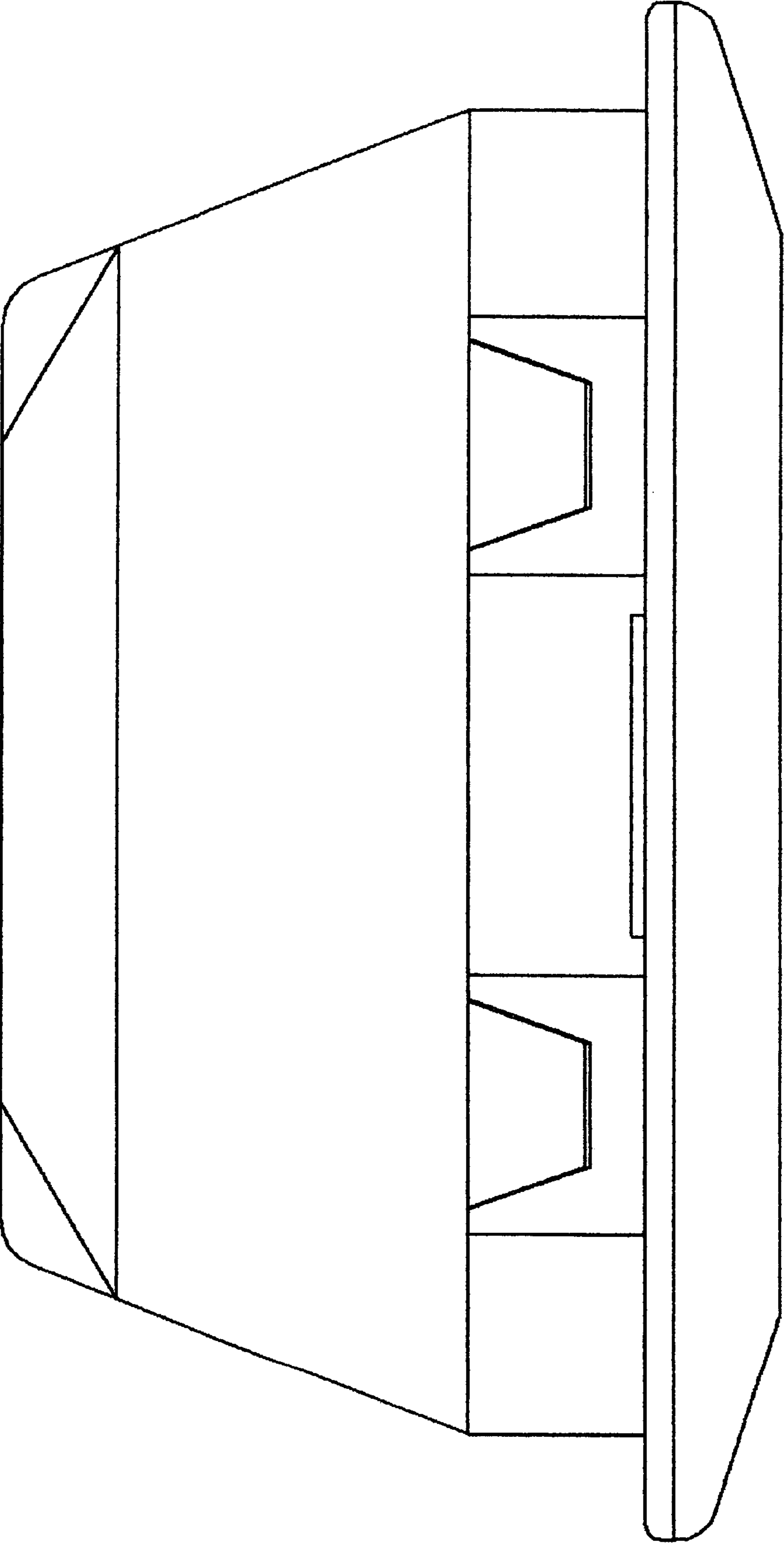


FIGURE 6

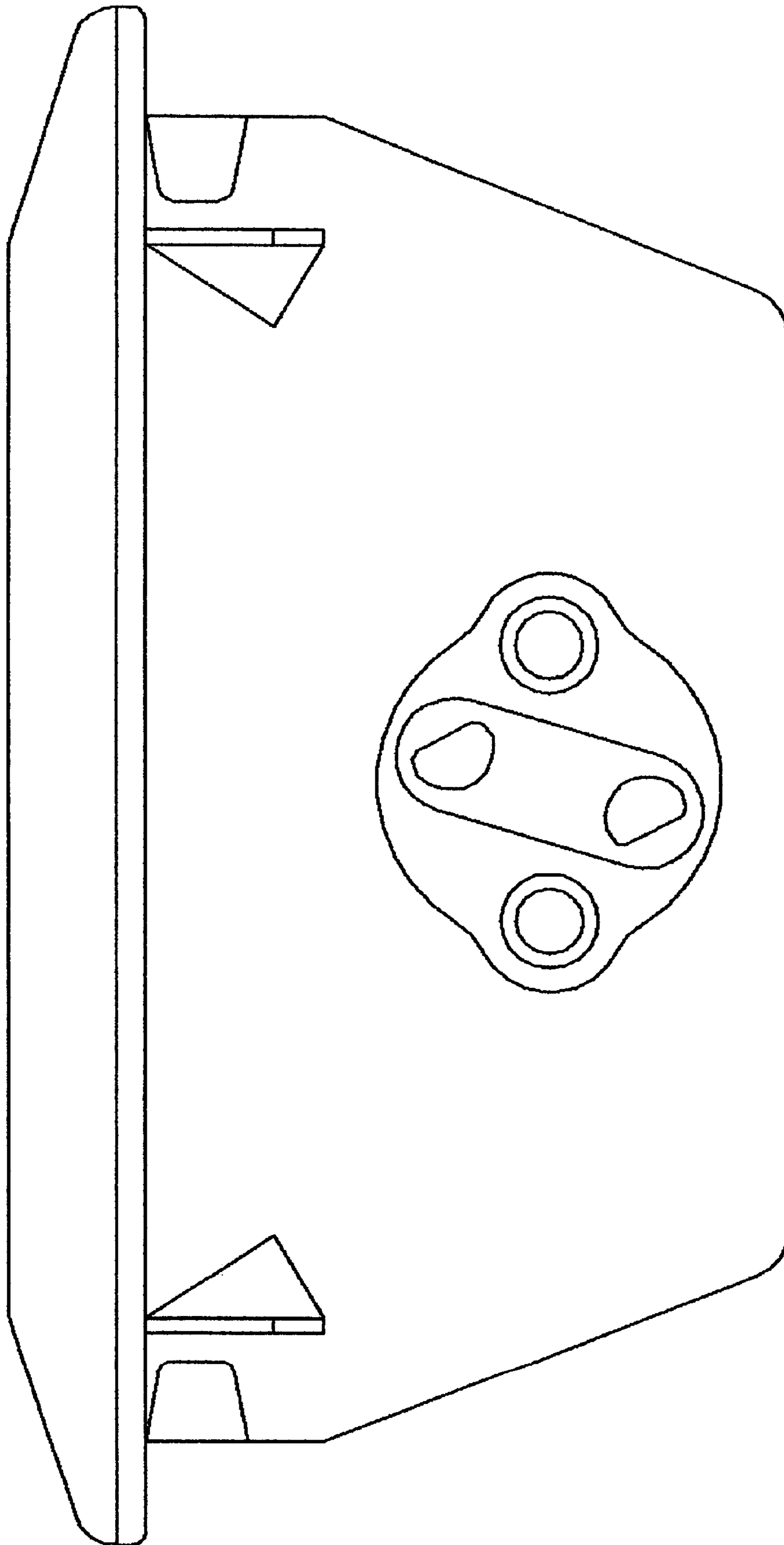


FIGURE 7