



US00D572382S

(12) **United States Design Patent**
Willman

(10) **Patent No.:** **US D572,382 S**
(45) **Date of Patent:** **** Jul. 1, 2008**

(54) **WINDOW MAIN FRAME EXTRUSION**

(75) **Inventor:** **Todd A. Willman**, Germantown, OH (US)

(73) **Assignee:** **Deceuninck North America, LLC**, Monroe, OH (US)

(**) **Term:** **14 Years**

(21) **Appl. No.:** **29/288,518**

(22) **Filed:** **Jun. 14, 2007**

(51) **LOC (8) Cl.** **25-01**

(52) **U.S. Cl.** **D25/124**

(58) **Field of Classification Search** D25/124, D25/125, 121, 122; 52/204.59, 204.1, 204.2, 52/204.5, 204.51, 656.5, 656.6, 213, 215, 52/208, 293.3, 204.97, 204.595, 204.71, 52/730.3, 656.2; 49/209, 501, 504, DIG. 2
See application file for complete search history.

(56) **References Cited**

U.S. PATENT DOCUMENTS

4,974,364	A *	12/1990	Durham, Jr.	49/400
5,687,518	A *	11/1997	Endo et al.	52/204.1
5,687,519	A *	11/1997	Bruchu	52/213
6,055,782	A *	5/2000	Morton et al.	52/204.1
6,182,405	B1 *	2/2001	Lindahl	52/204.1
D443,702	S *	6/2001	Ballard et al.	D25/124

6,327,826	B1 *	12/2001	Mann	52/204.1
6,330,769	B1 *	12/2001	Manzella et al.	52/204.62
6,334,283	B1 *	1/2002	Edger	52/204.1
D453,381	S *	2/2002	Ballard et al.	D25/124
D461,255	S *	8/2002	Ballard et al.	D25/124
D465,583	S *	11/2002	Ballard et al.	D25/124
D466,621	S *	12/2002	Ballard et al.	D25/124
D466,623	S *	12/2002	Ballard et al.	D25/124
D467,011	S *	12/2002	Ballard et al.	D25/124
D467,355	S *	12/2002	Ballard et al.	D25/124
6,490,831	B1 *	12/2002	Candusso	52/204.1
7,246,466	B2 *	7/2007	Turner	49/504
2004/0226232	A1 *	11/2004	Engebretson	52/204.1

* cited by examiner

Primary Examiner—Doris Clark

(74) *Attorney, Agent, or Firm*—Jacox, Meckstroth & Jenkins

(57) **CLAIM**

The ornamental design of a window main frame extrusion, as shown and described.

DESCRIPTION

FIG. 1 is a perspective view of a window main frame extrusion, showing my new design, with a middle portion broken away to disclose indefinite length; and,

FIG. 2 is an end view thereof, the opposite end view being a mirror image.

1 Claim, 1 Drawing Sheet

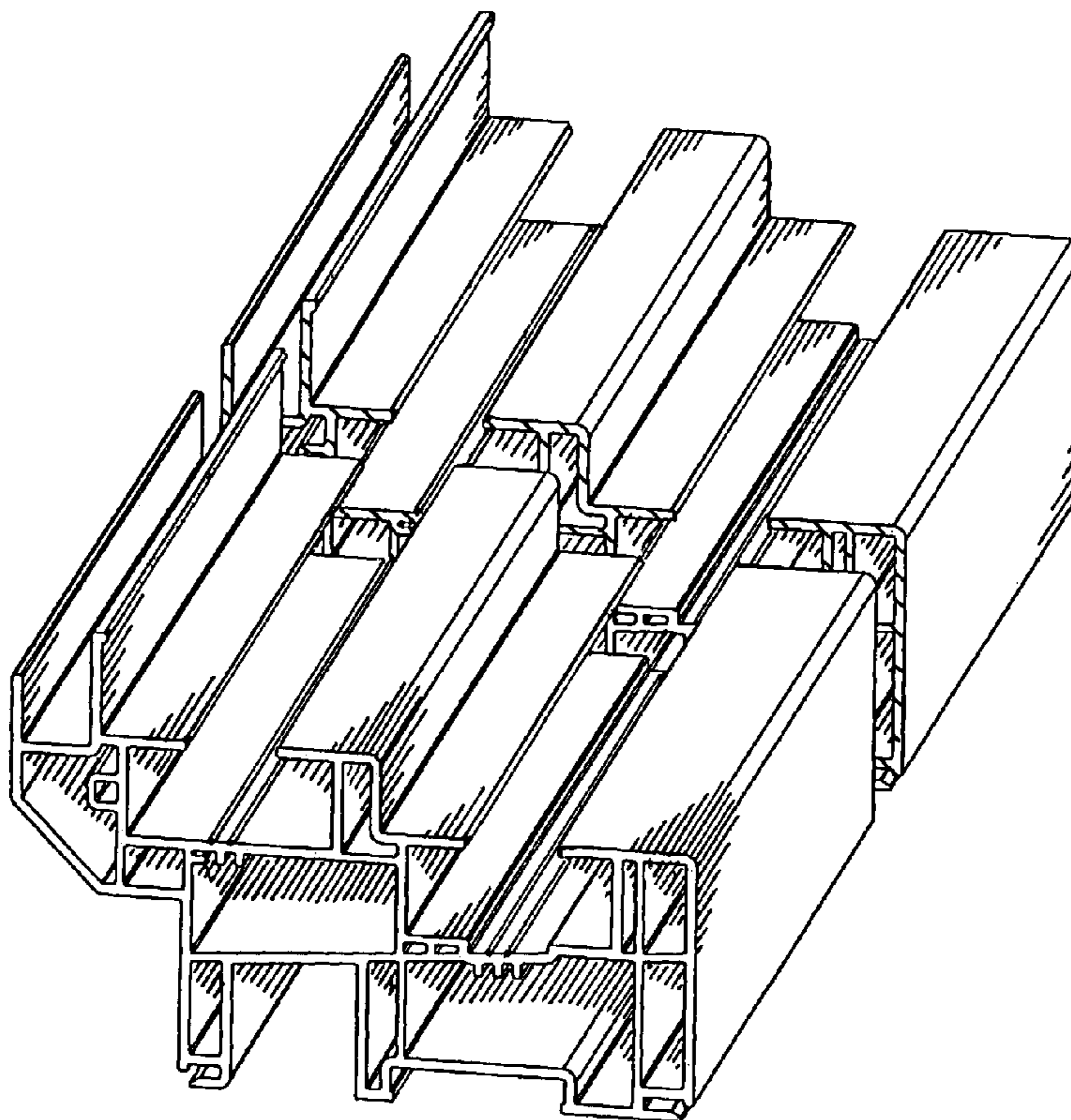


FIG-1

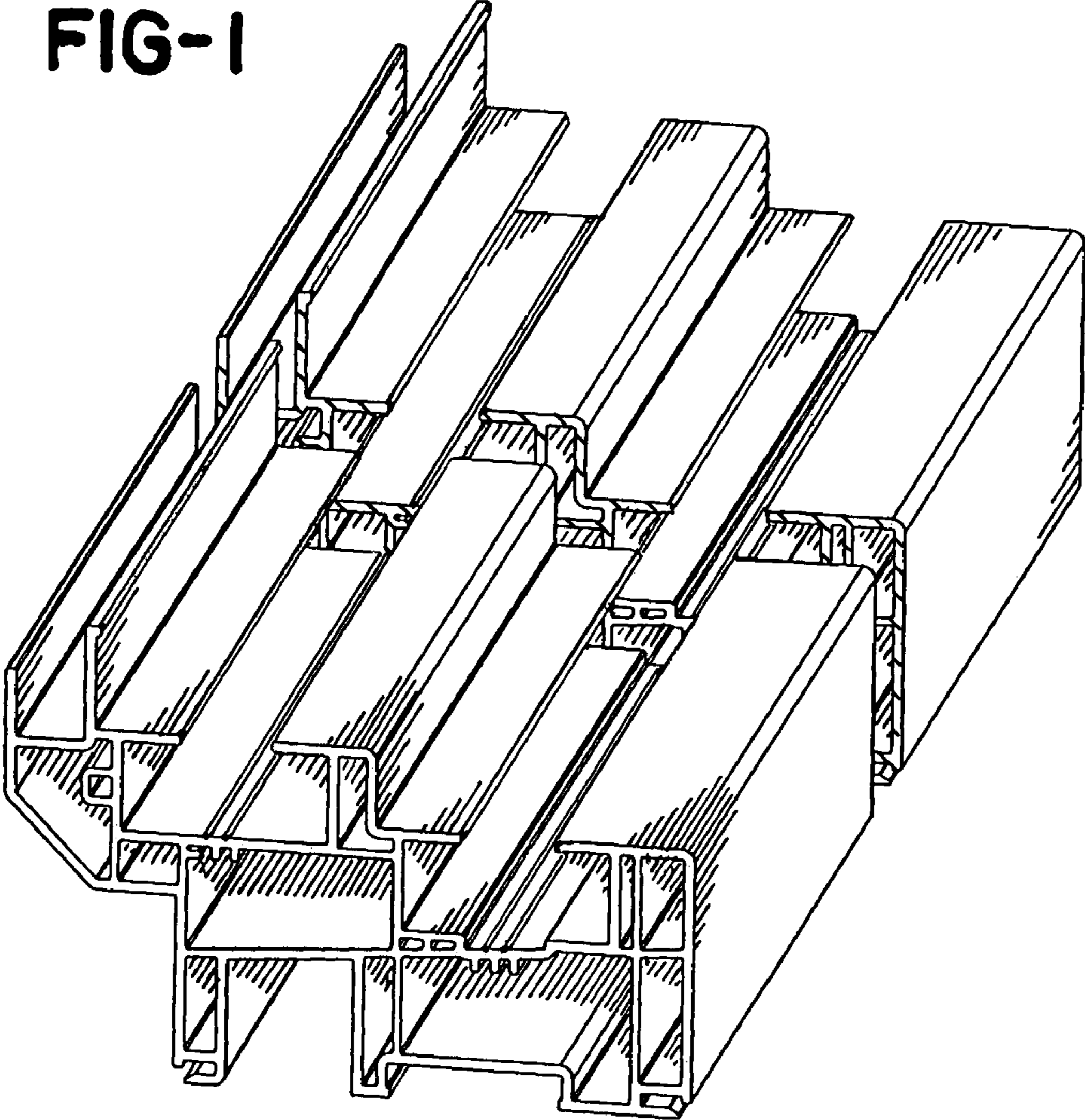


FIG-2

