



US00D572381S

(12) **United States Design Patent**  
**Willman**

(10) **Patent No.:** **US D572,381 S**  
(45) **Date of Patent:** **\*\* Jul. 1, 2008**

(54) **WINDOW SILL FRAME EXTRUSION**  
(75) Inventor: **Todd A. Willman**, Germantown, OH  
(US)  
(73) Assignee: **Deceuninck North America, LLC**,  
Monroe, OH (US)  
(\*\*) Term: **14 Years**  
(21) Appl. No.: **29/288,517**  
(22) Filed: **Jun. 14, 2007**

6,327,826 B1 \* 12/2001 Mann ..... 52/204.1  
6,330,769 B1 \* 12/2001 Manzella et al. .... 52/204.62  
6,334,283 B1 \* 1/2002 Edger ..... 52/204.1  
D453,381 S \* 2/2002 Ballard et al. .... D25/124  
D461,255 S \* 8/2002 Ballard et al. .... D25/124  
D465,583 S \* 11/2002 Ballard et al. .... D25/124  
D466,621 S \* 12/2002 Ballard et al. .... D25/124  
D466,623 S \* 12/2002 Ballard et al. .... D25/124  
D467,011 S \* 12/2002 Ballard et al. .... D25/124  
D467,355 S \* 12/2002 Ballard et al. .... D25/124  
6,490,831 B1 \* 12/2002 Candusso ..... 52/204.1  
7,246,466 B2 \* 7/2007 Turner ..... 49/504  
2004/0226232 A1 \* 11/2004 Engebretson ..... 52/204.1

(51) **LOC (8) Cl.** ..... **25-01**  
(52) **U.S. Cl.** ..... **D25/124**  
(58) **Field of Classification Search** ..... D25/121,  
D25/122, 124, 125; 52/204.59, 204.1, 204.2,  
52/204.5, 204.51, 656.5, 656.6, 213, 215,  
52/208, 293.3, 204.97, 204.595, 204.71,  
52/730.3, 656.2; 49/209, 501, 504, DIG. 2  
See application file for complete search history.

\* cited by examiner

*Primary Examiner*—Doris Clark  
(74) *Attorney, Agent, or Firm*—Jacox, Meckstroth & Jenkins

(57) **CLAIM**

The ornamental design of a window sill frame extrusion, as shown and described.

(56) **References Cited**  
U.S. PATENT DOCUMENTS

4,974,364 A \* 12/1990 Durham, Jr. .... 49/400  
5,687,518 A \* 11/1997 Endo et al. .... 52/204.1  
5,687,519 A \* 11/1997 Bruchu ..... 52/213  
6,055,782 A \* 5/2000 Morton et al. .... 52/204.1  
6,182,405 B1 \* 2/2001 Lindahl ..... 52/204.1  
D443,702 S \* 6/2001 Ballard et al. .... D25/124

**DESCRIPTION**

FIG. 1 is a perspective view of a window sill frame extrusion, showing my new design, with a middle portion broken away to disclose indefinite length; and,  
FIG. 2 is an end view thereof, the opposite end view being a mirror image.

**1 Claim, 1 Drawing Sheet**

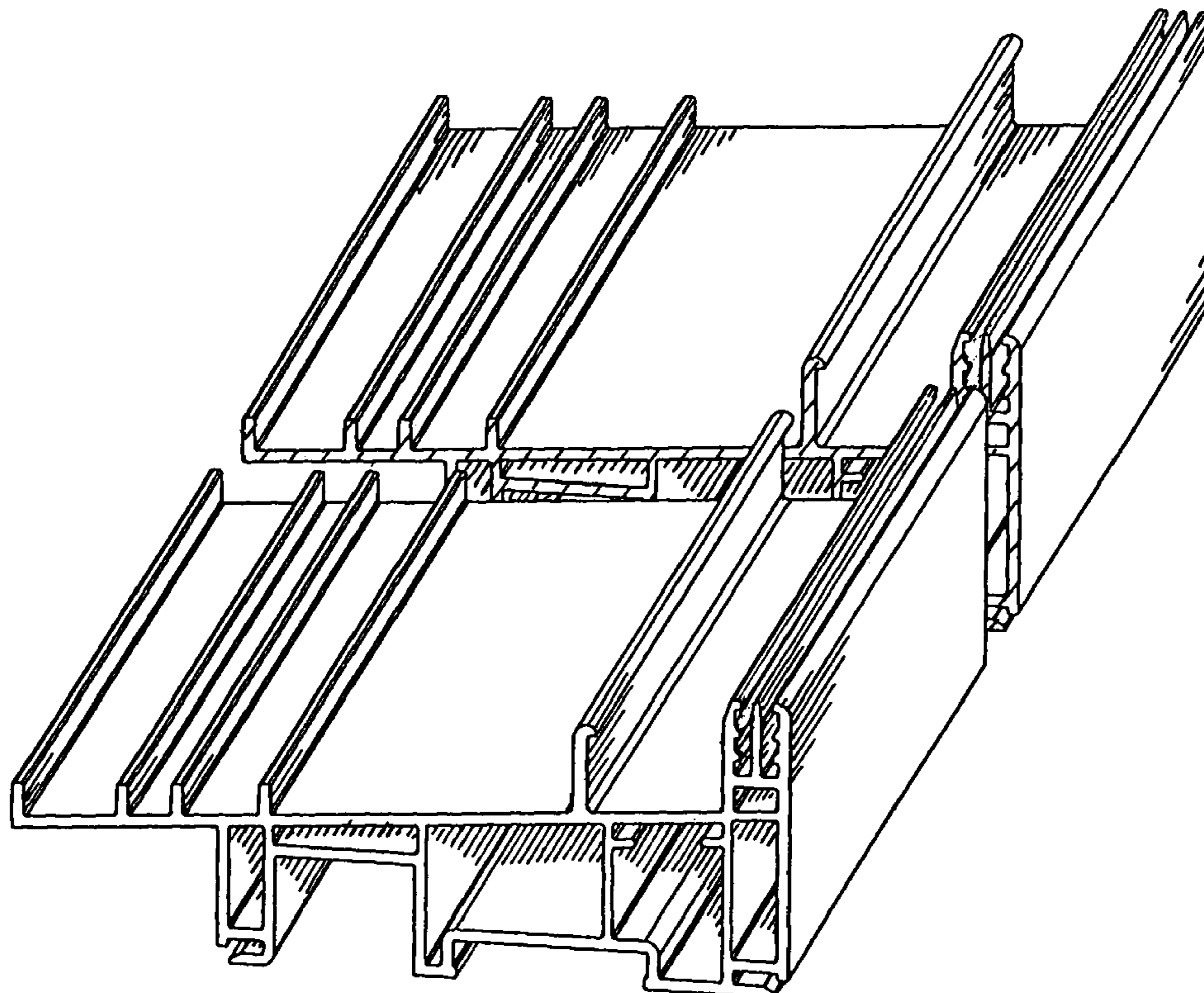


FIG-1

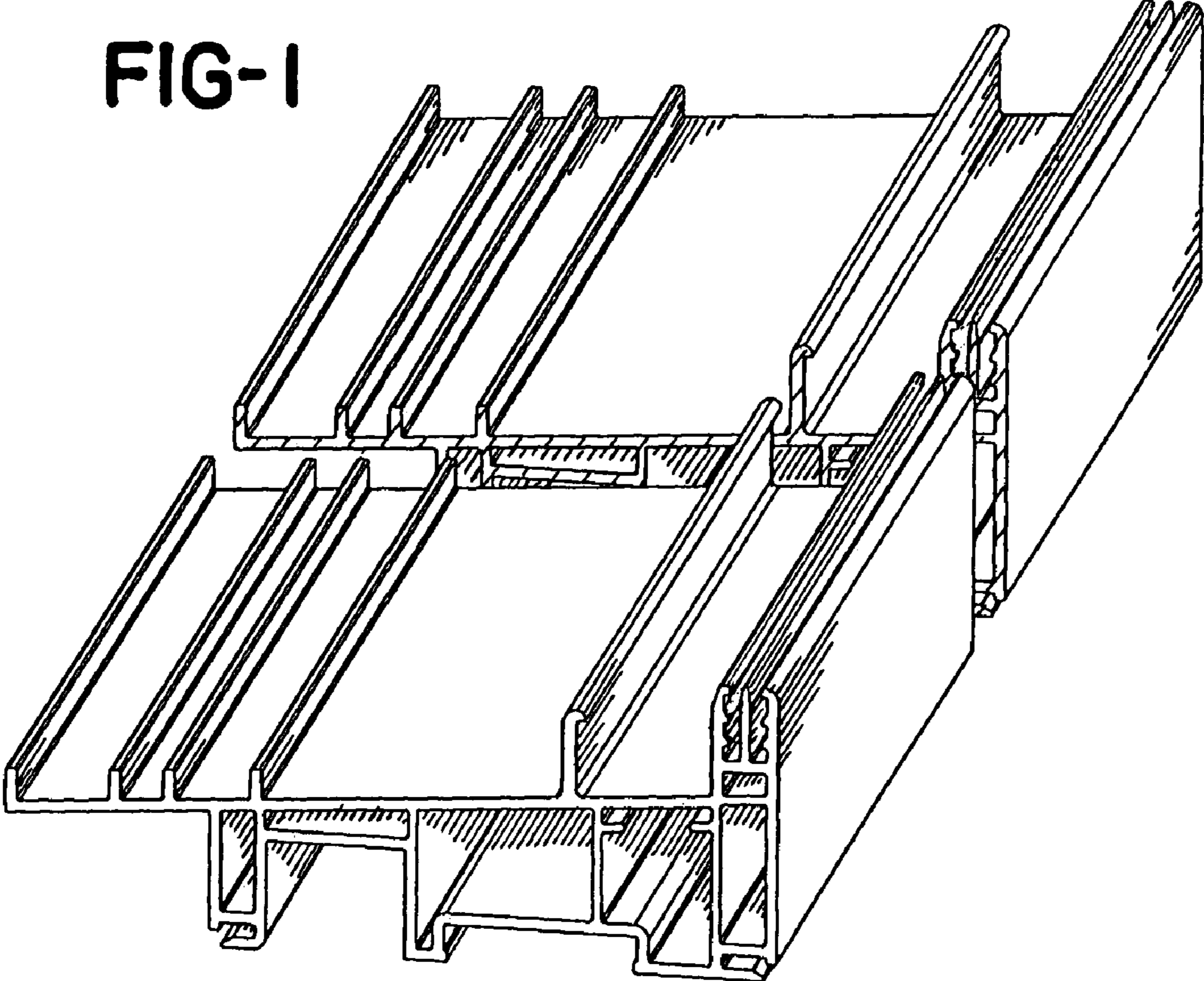


FIG-2

