



US00D572373S

(12) **United States Design Patent**
Seguin

(10) **Patent No.:** **US D572,373 S**
(45) **Date of Patent:** **** Jul. 1, 2008**

(54) **MODULAR GATE COMPONENT**

Primary Examiner—Doris Clark

(75) Inventor: **Marc-André Seguin**, 168 Epping Rd.,
Beaconsfield, Quebec (CA) H9W 2Y5

(57) **CLAIM**

(73) Assignee: **Marc-André Séguin**, Montreal, Quebec
(CA)

I claim the ornamental design for a modular gate component,
as shown and described.

(**) Term: **14 Years**

DESCRIPTION

(21) Appl. No.: **29/279,644**

FIG. 1 is a front perspective view of a modular gate component
according to the present design;

(22) Filed: **May 4, 2007**

FIG. 2 is a rear perspective view of the modular gate component
of FIG. 1;

(51) **LOC (8) Cl.** **25-02**

(52) **U.S. Cl.** **D25/50**

(58) **Field of Classification Search** D25/38,
D25/50; D10/104; 404/6, 9; 49/26, 28,
49/49, 9; 116/275; 256/13.1

FIG. 3 is front elevational view of the modular gate component
of FIG. 1;

See application file for complete search history.

FIG. 4 is rear elevational view of the modular gate component
of FIG. 1;

(56) **References Cited**

U.S. PATENT DOCUMENTS

6,289,634	B1 *	9/2001	Allardyce et al.	49/49
D472,331	S *	3/2003	Zadak	D25/50
6,536,985	B2 *	3/2003	Albritton	404/6
6,857,227	B2 *	2/2005	Russell	49/49

FIG. 5 is a right side elevational view of the modular gate
component of FIG. 1;

FIG. 6 is a left side elevational view of the modular gate
component of FIG. 1; and,

FIG. 7 is a rear perspective view of a modular gate component
showing attached gate components in broken lines for illustrative
purposes only and form no part of the claimed design.

* cited by examiner

1 Claim, 4 Drawing Sheets

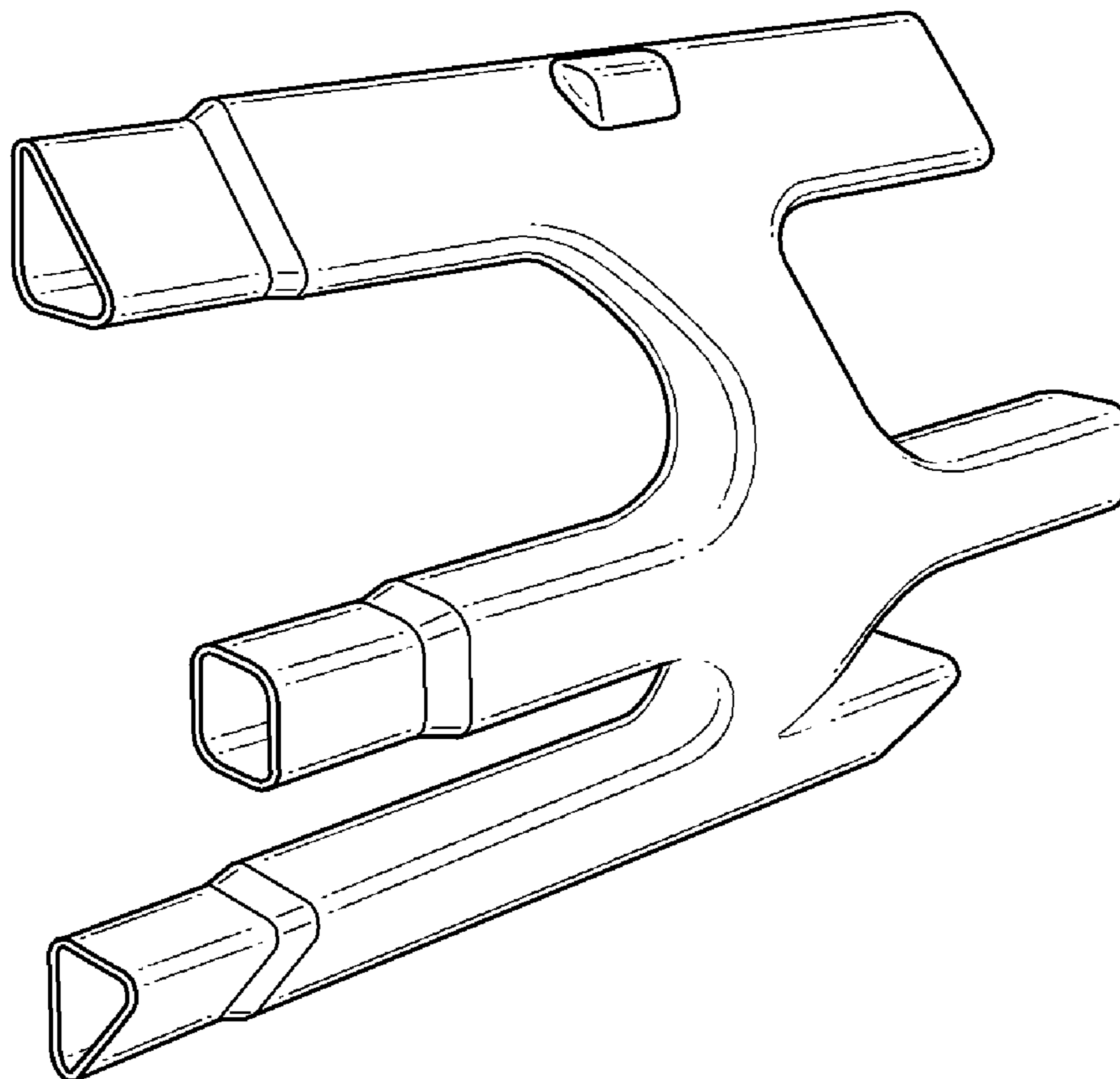


FIG. 1

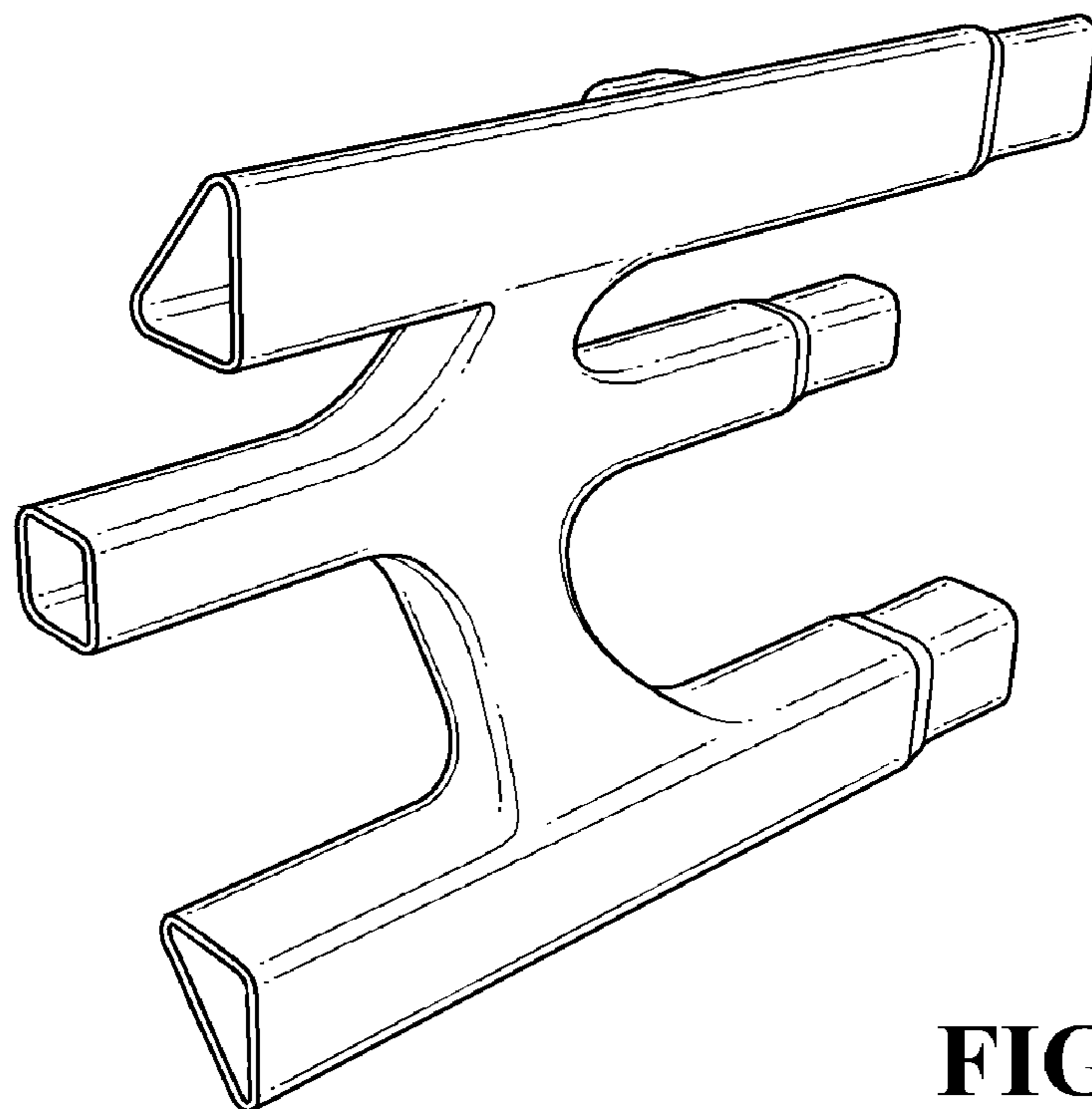
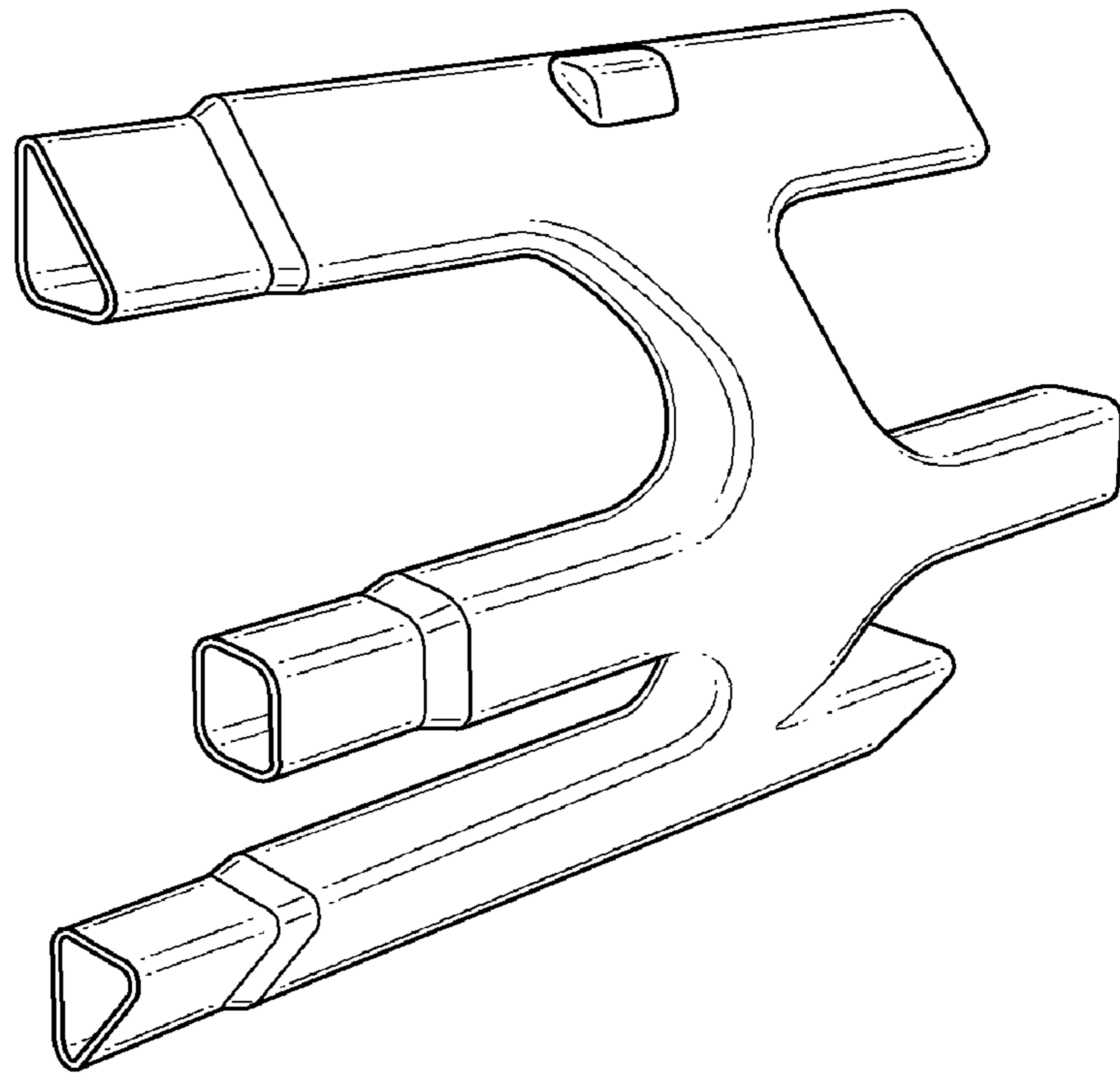


FIG. 2

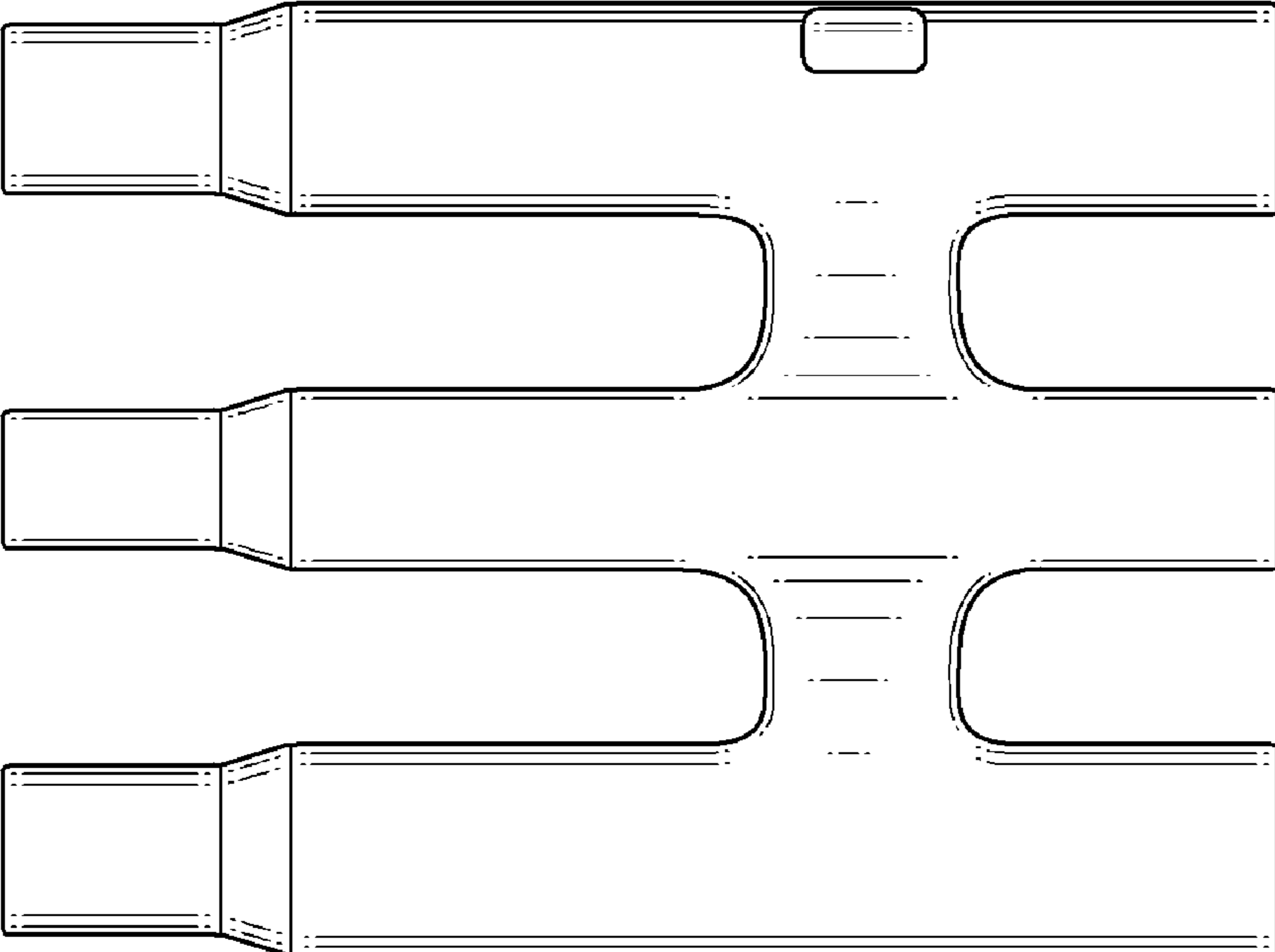


FIG. 3

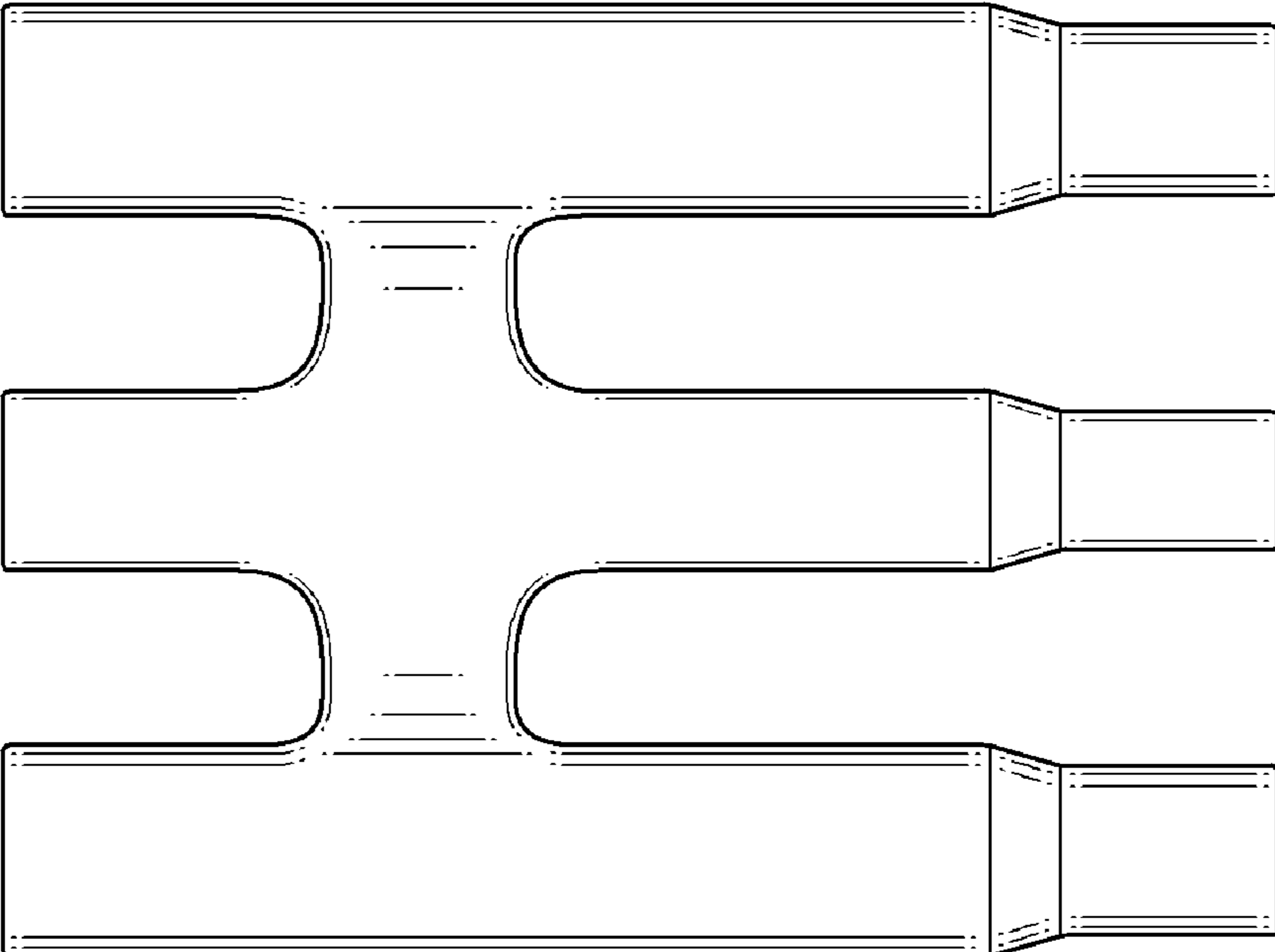


FIG. 4

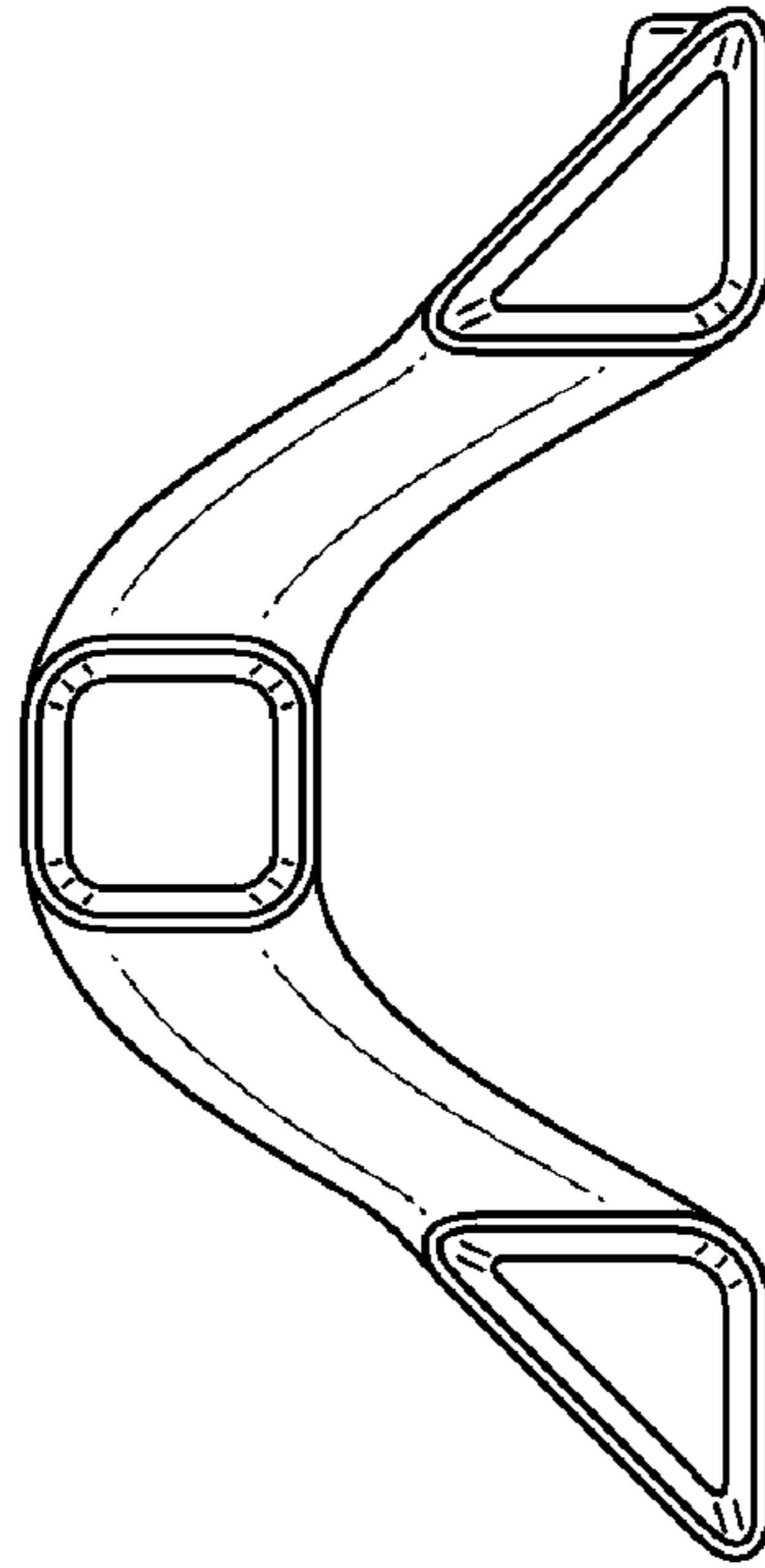


FIG. 5

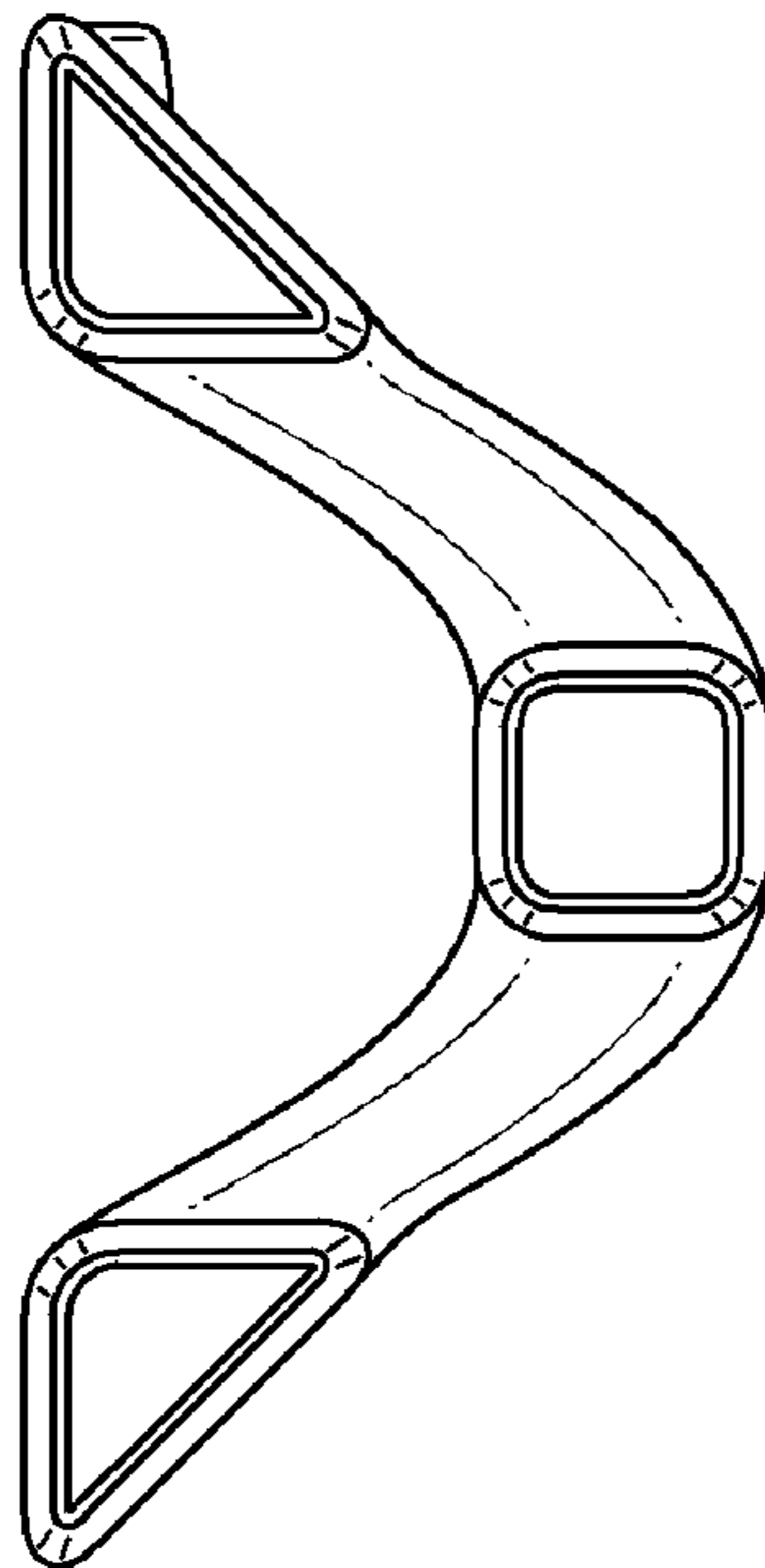


FIG. 6

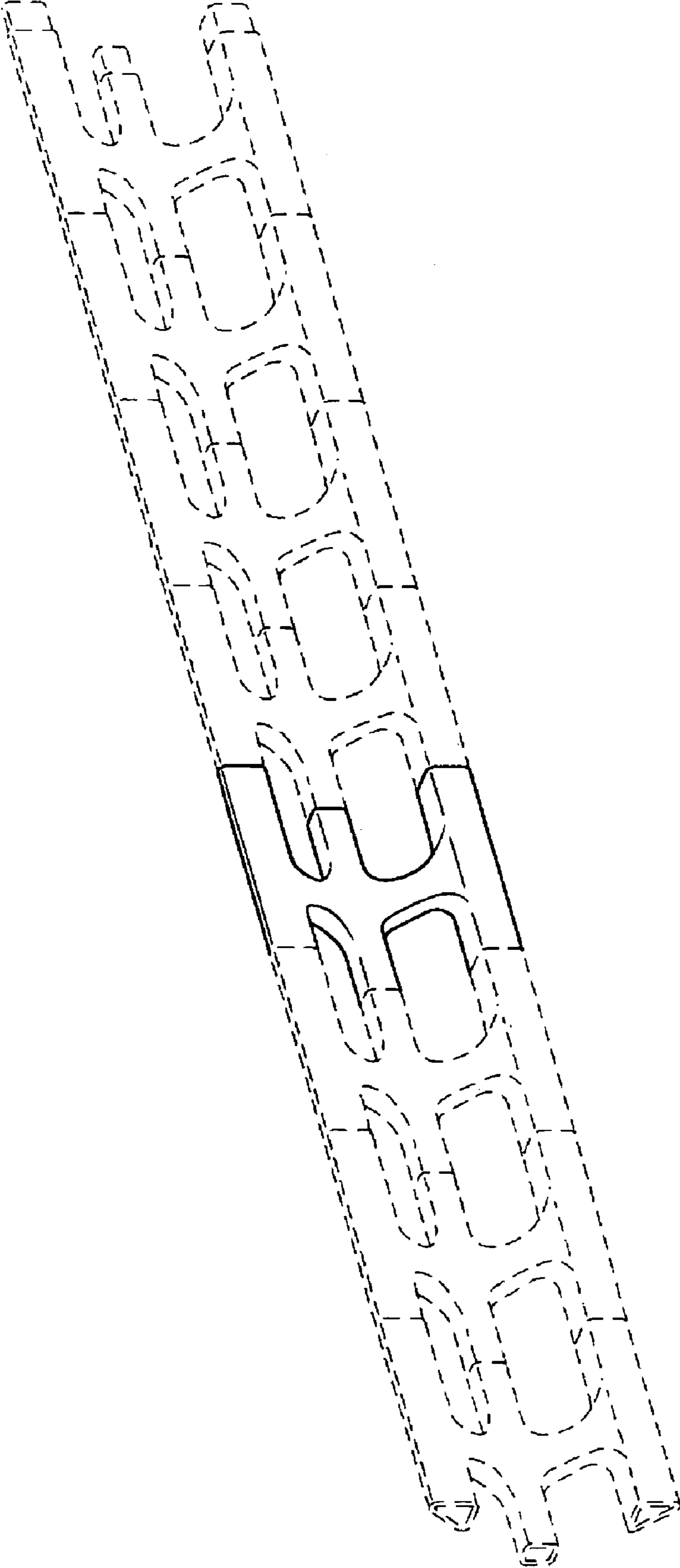


FIG. 7