



US00D572371S

(12) **United States Design Patent**
Desouche et al.

(10) **Patent No.:** **US D572,371 S**
(45) **Date of Patent:** **** Jul. 1, 2008**

(54) **HUNTING BLIND**

2004/0231221 A1 11/2004 Latschaw

(75) Inventors: **Thomas Desouche**, Kowloon (HK);
Timothy Parsons, Novato, CA (US)

OTHER PUBLICATIONS

<http://www.cabelas.com/cabelas/en/templates/pod/horizontal...&navCount=3&parentType=index&parentId=cat20768=0041366>
Feb. 6, 2008.*
Cabela's Fall 2005 Catalog, pp. 578-579, published at least as early as Fall 2005.

(73) Assignee: **P&T Products, Ltd.**, Novato, CA (US)

(**) Term: **14 Years**

* cited by examiner

(21) Appl. No.: **29/273,351**

Primary Examiner—Louis S Zarfaz

(22) Filed: **Mar. 1, 2007**

Assistant Examiner—Kathleen M Sims

(51) **LOC (8) Cl.** **25-03**

(74) *Attorney, Agent, or Firm*—Brian Beverly; Beeson Skinner Beverly, LLP

(52) **U.S. Cl.** **D25/16**

(58) **Field of Classification Search** D25/16;
135/87, 95, 900-901; 43/1

(57) **CLAIM**

See application file for complete search history.

The ornamental design for a hunting blind, as shown and described.

(56) **References Cited**

DESCRIPTION

U.S. PATENT DOCUMENTS

4,751,936	A *	6/1988	Zibble et al.	135/117
5,647,159	A	7/1997	Latschaw	
5,822,906	A *	10/1998	Ward	43/1
D405,890	S	2/1999	Latschaw	
6,694,995	B1 *	2/2004	Ransom	135/128
D487,422	S	3/2004	Mitchell	
6,698,131	B2	3/2004	Latschaw	
6,769,379	B2	8/2004	Foiles	
6,895,614	B1 *	5/2005	Peck	5/419
7,237,283	B2 *	7/2007	Devries	5/419
2004/0000084	A1 *	1/2004	Latschaw	43/1

FIG. 1 is a perspective view of a hunting blind showing our new design;

FIG. 2 is a top plan view thereof;

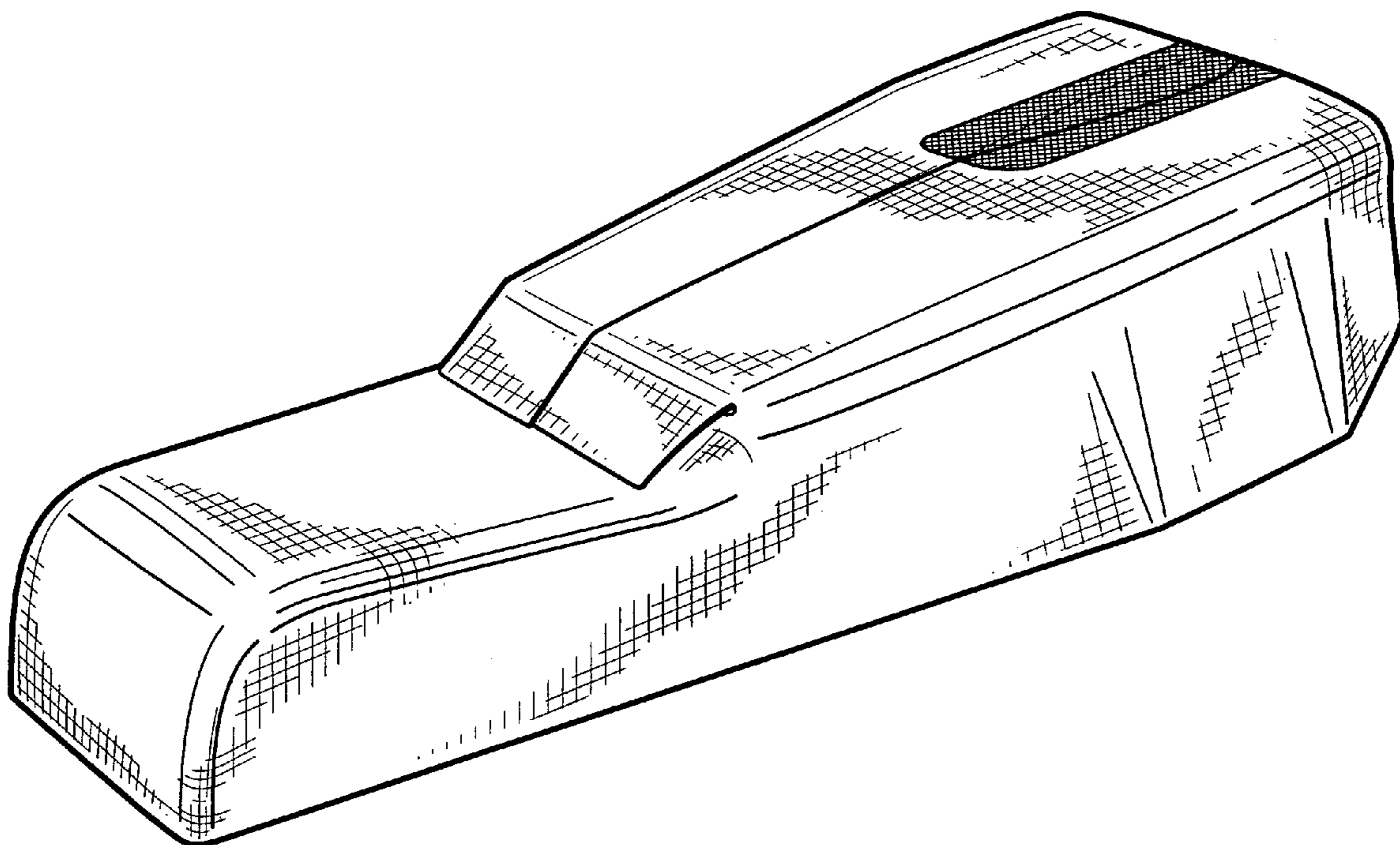
FIG. 3 is a left side elevation view thereof, the right side elevation view being a mirror image thereof;

FIG. 4 is a foot-end elevation view thereof;

FIG. 5 is a bottom plan view thereof; and,

FIG. 6 is a head-end elevation view thereof.

1 Claim, 3 Drawing Sheets



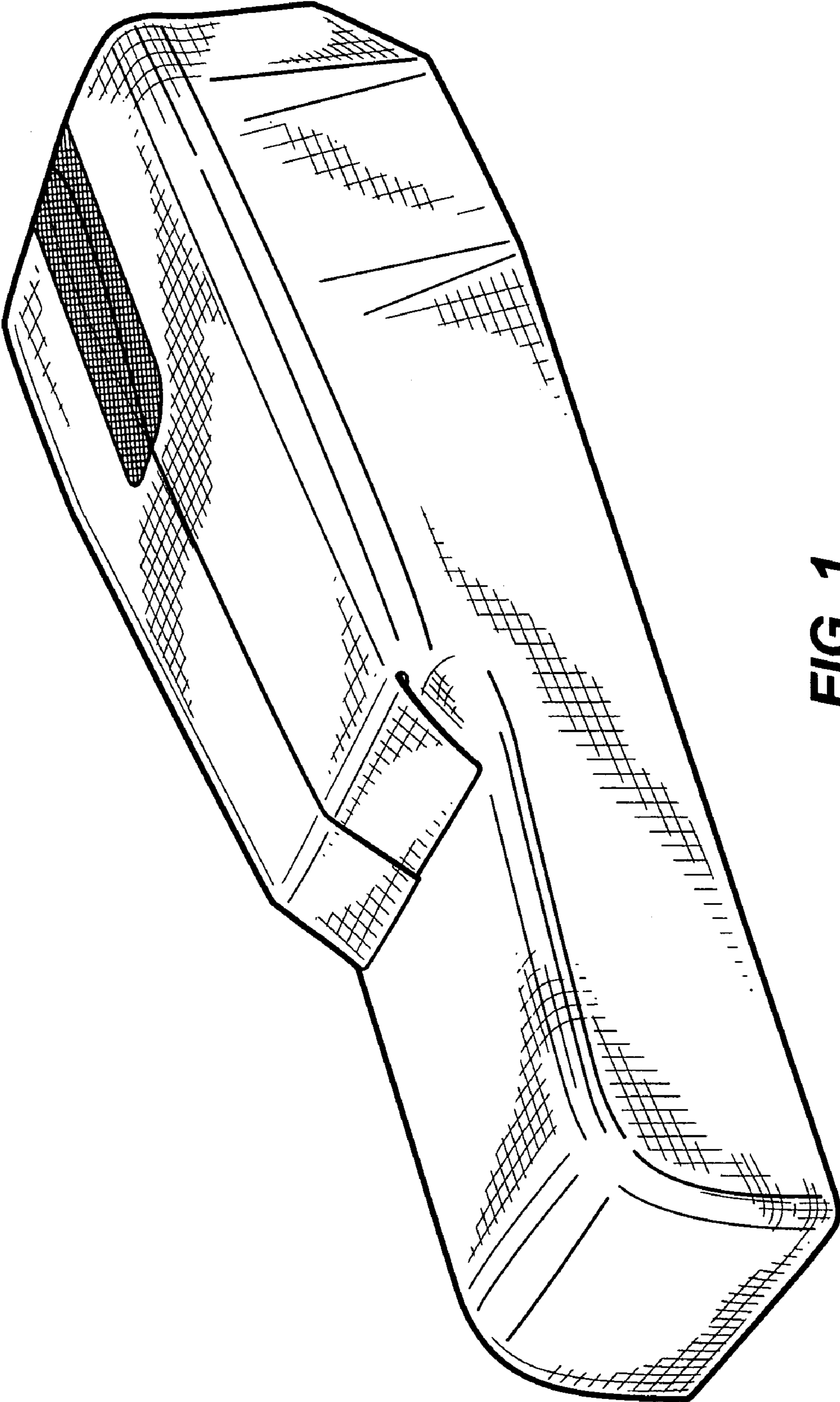


FIG. 1

FIG. 2

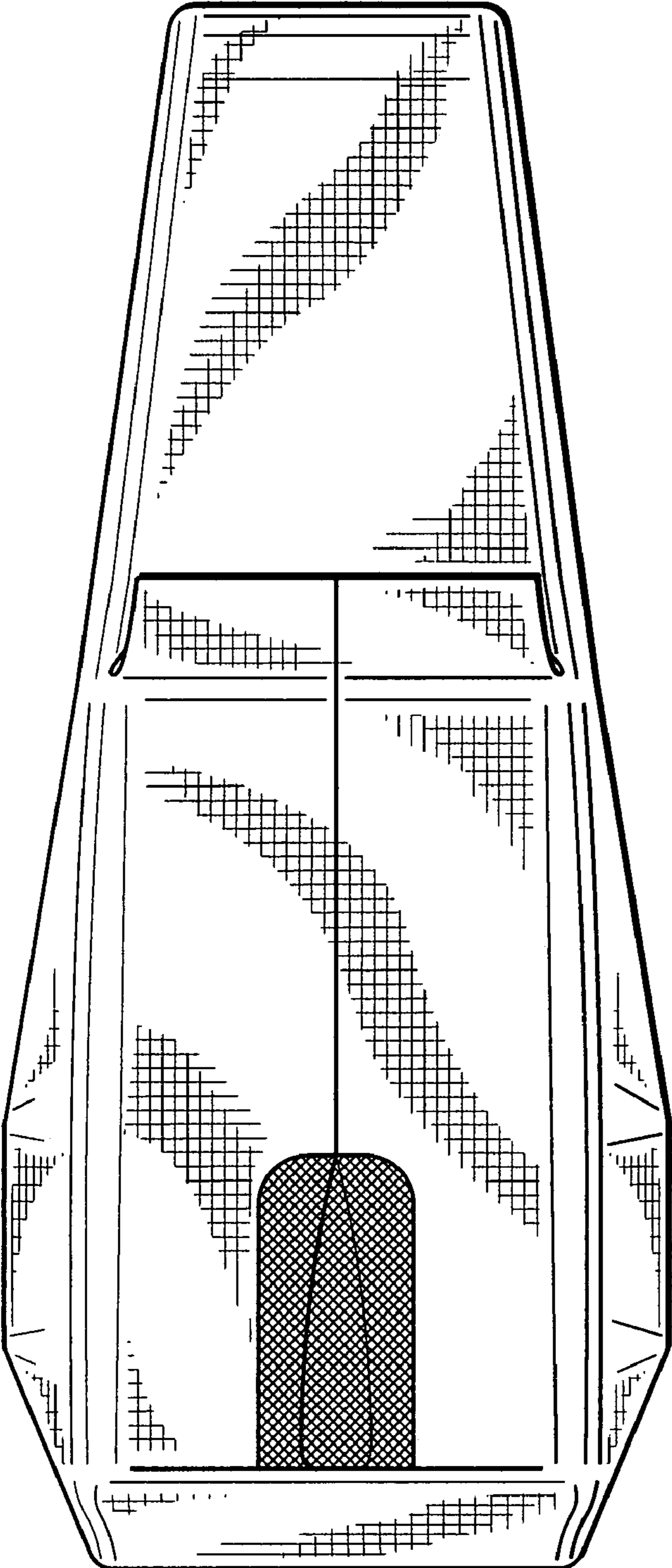


FIG. 3

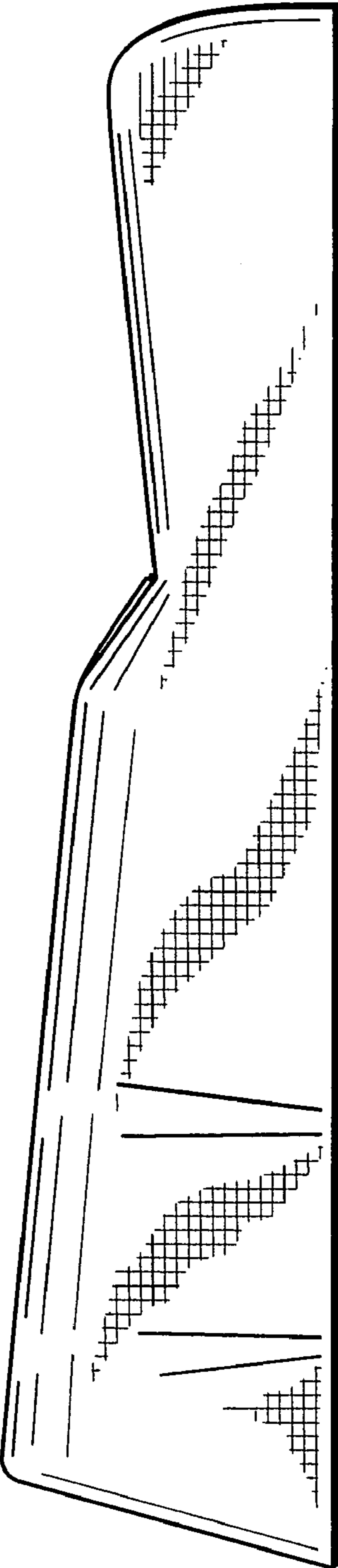


FIG. 5

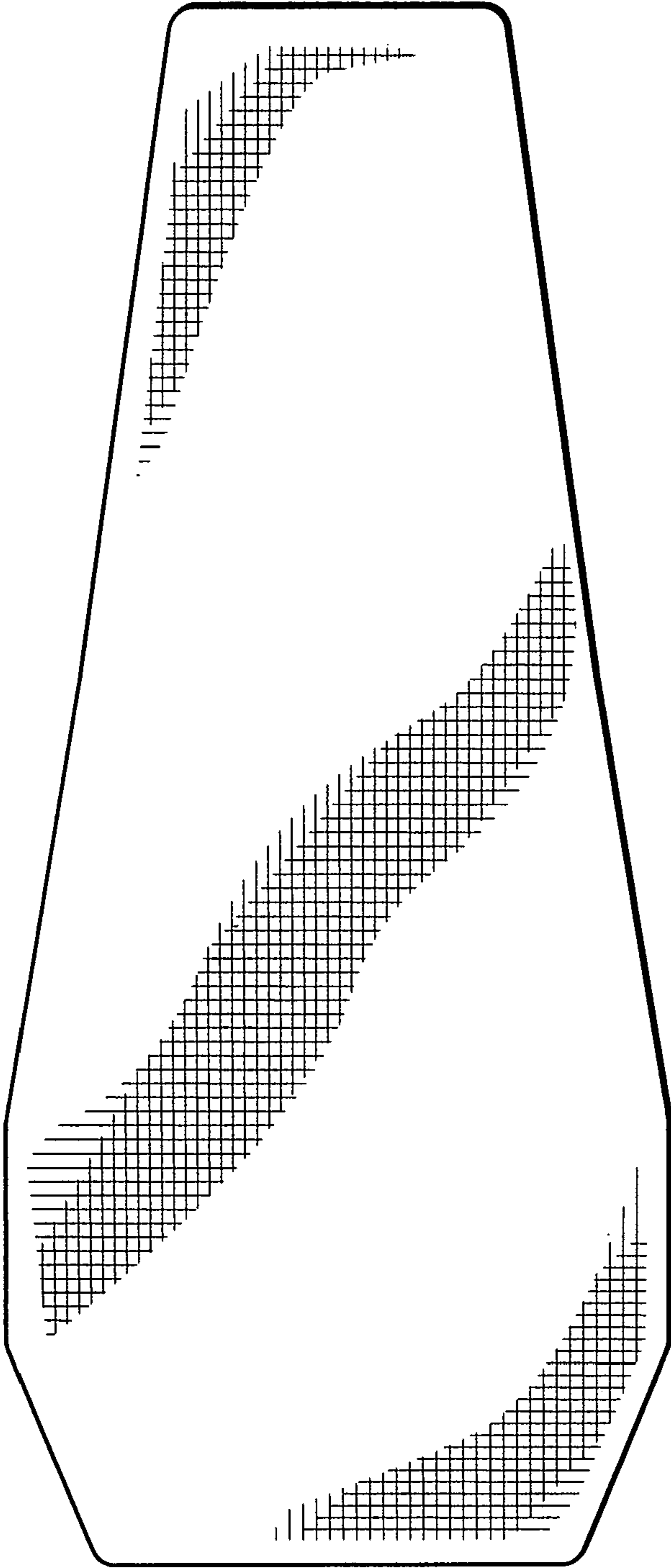


FIG. 6

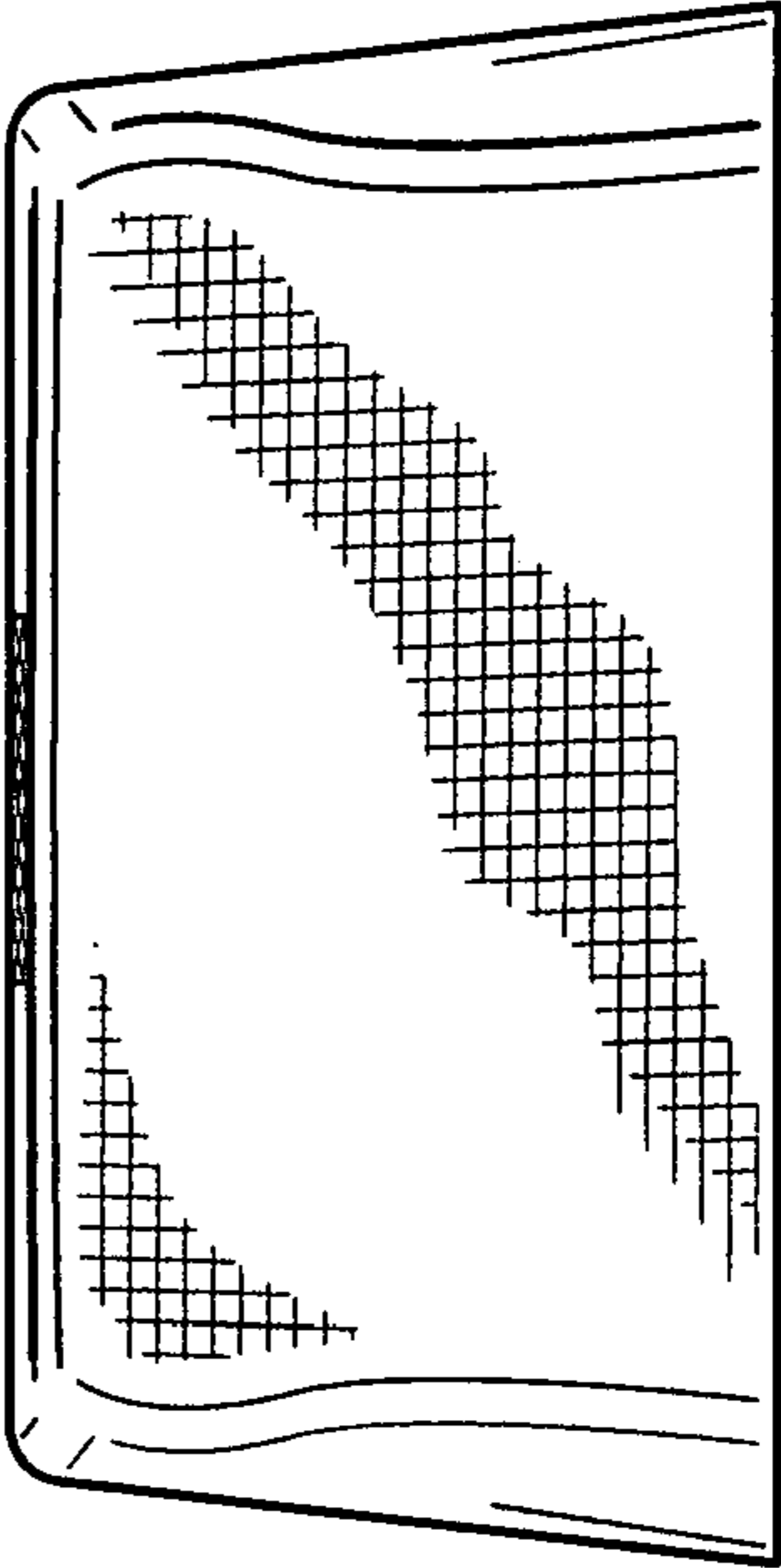


FIG. 4

