



US00D572364S

(12) **United States Design Patent**
Aardahl

(10) **Patent No.:** **US D572,364 S**

(45) **Date of Patent:** **** Jul. 1, 2008**

(54) **IMPLANTABLE HOUSING**

(75) Inventor: **Craig Aardahl**, Lino Lakes, MN (US)

(73) Assignee: **Transoma Medical, Inc.**, Arden Hills, MN (US)

(**) Term: **14 Years**

(21) Appl. No.: **29/258,087**

(22) Filed: **Apr. 14, 2006**

Related U.S. Application Data

(63) Continuation-in-part of application No. 11/356,304, filed on Feb. 15, 2006.

(51) **LOC (8) Cl.** **24-03**

(52) **U.S. Cl.** **D24/155**

(58) **Field of Classification Search** D24/155-157, D24/107, 216; 623/1.13-1.23, 17.16; 372/94; 606/61, 72; 604/1.02, 103.02; D8/397
See application file for complete search history.

(56) **References Cited**

U.S. PATENT DOCUMENTS

D222,235 S * 10/1971 Holiday D8/397
5,766,252 A * 6/1998 Henry et al. 623/17.16
D412,435 S * 8/1999 Cultice, Jr. D8/397
6,001,100 A * 12/1999 Sherman et al. 606/72

D490,531 S * 5/2004 Feldman D24/216
7,011,684 B2 * 3/2006 Eckman 623/17.16
7,063,725 B2 * 6/2006 Foley 623/17.16
7,169,183 B2 * 1/2007 Liu et al. 623/17.16
D552,734 S * 10/2007 Eckman D24/155

* cited by examiner

Primary Examiner—Charles A Rademaker

(74) *Attorney, Agent, or Firm*—Fish & Richardson P.C.

(57) **CLAIM**

The ornamental design for implantable housing, as shown and described.

DESCRIPTION

FIG. 1 is a perspective view of an implantable housing showing our new design;

FIG. 2 is a front elevational view thereof;

FIG. 3 is a top plan view thereof;

FIG. 4 is a bottom plan view thereof;

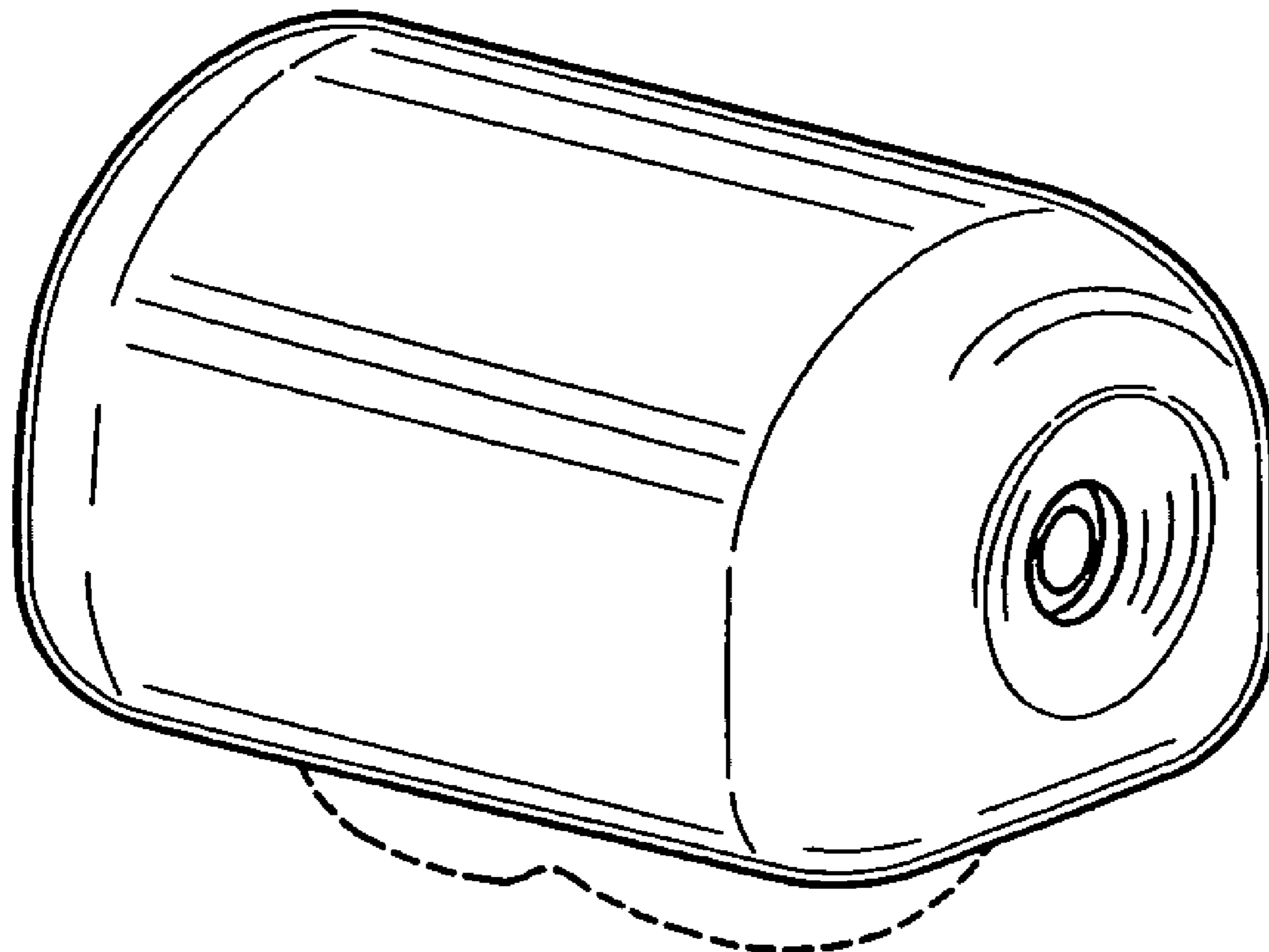
FIG. 5 is a rear elevational view thereof;

FIG. 6 is a left elevational view thereof; and,

FIG. 7 is a right elevational view thereof.

The broken line shown in the drawings is included for the purpose of illustrating structural environment and forms no part of the claimed design.

1 Claim, 3 Drawing Sheets



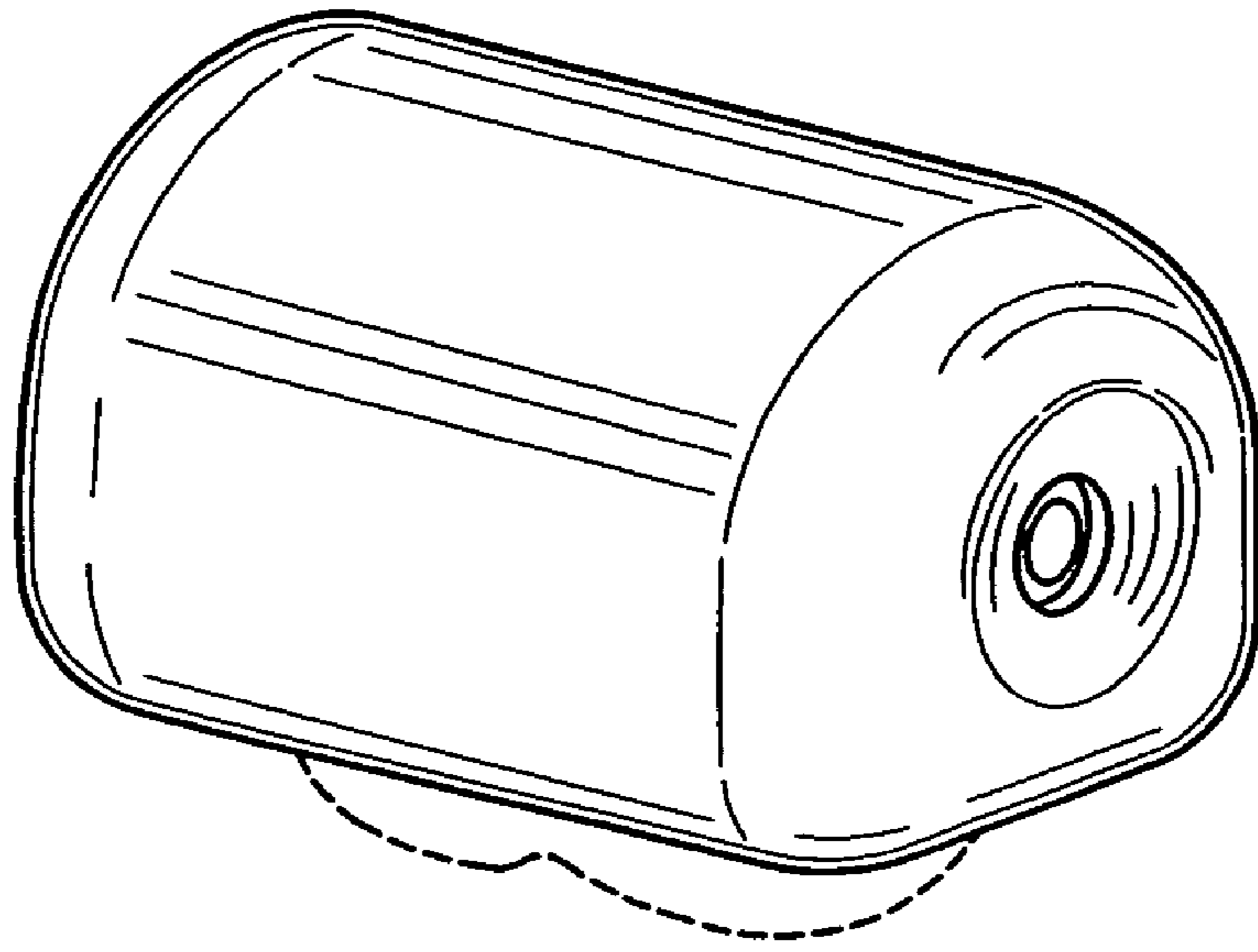


FIG. 1

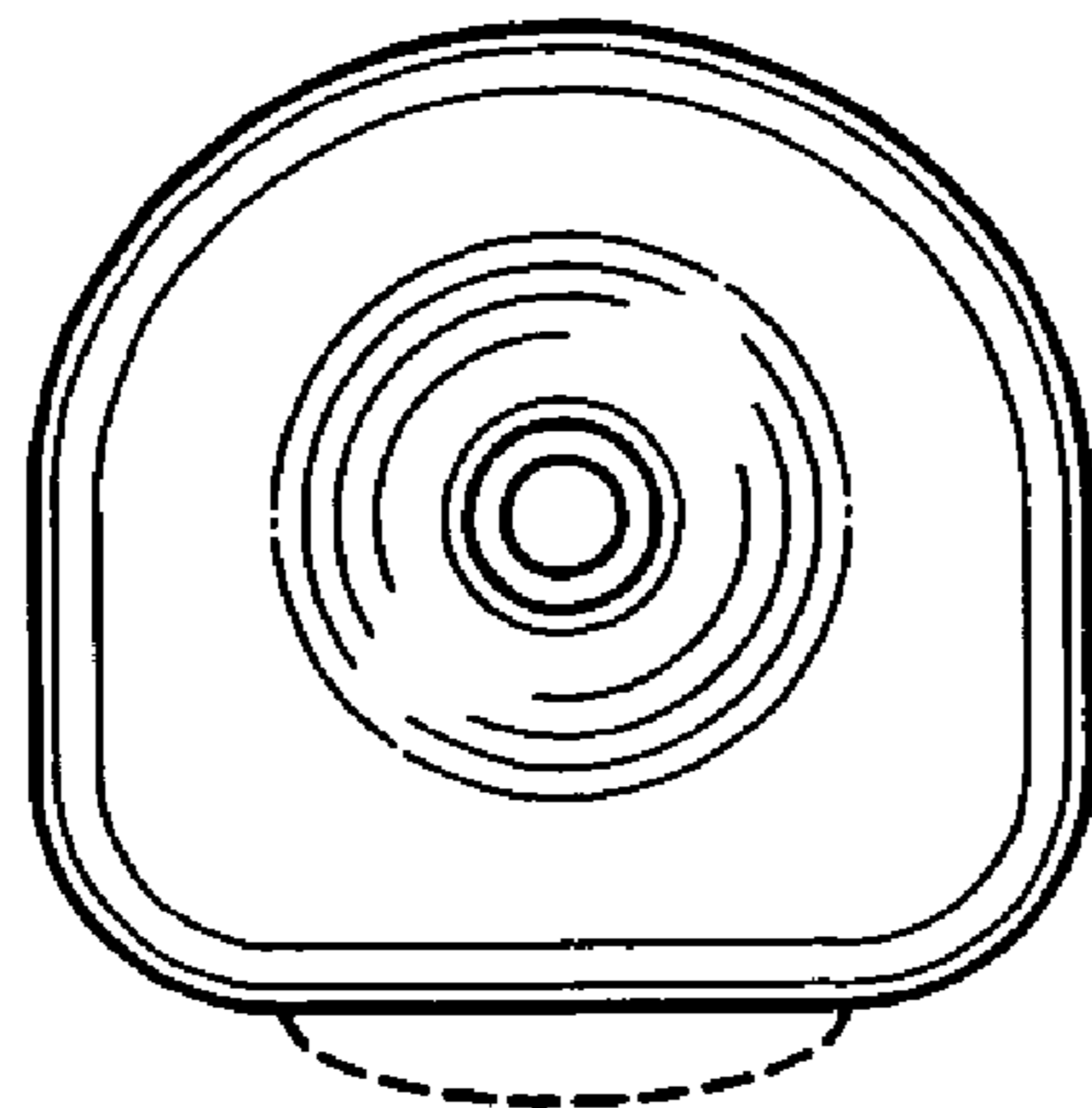


FIG. 2

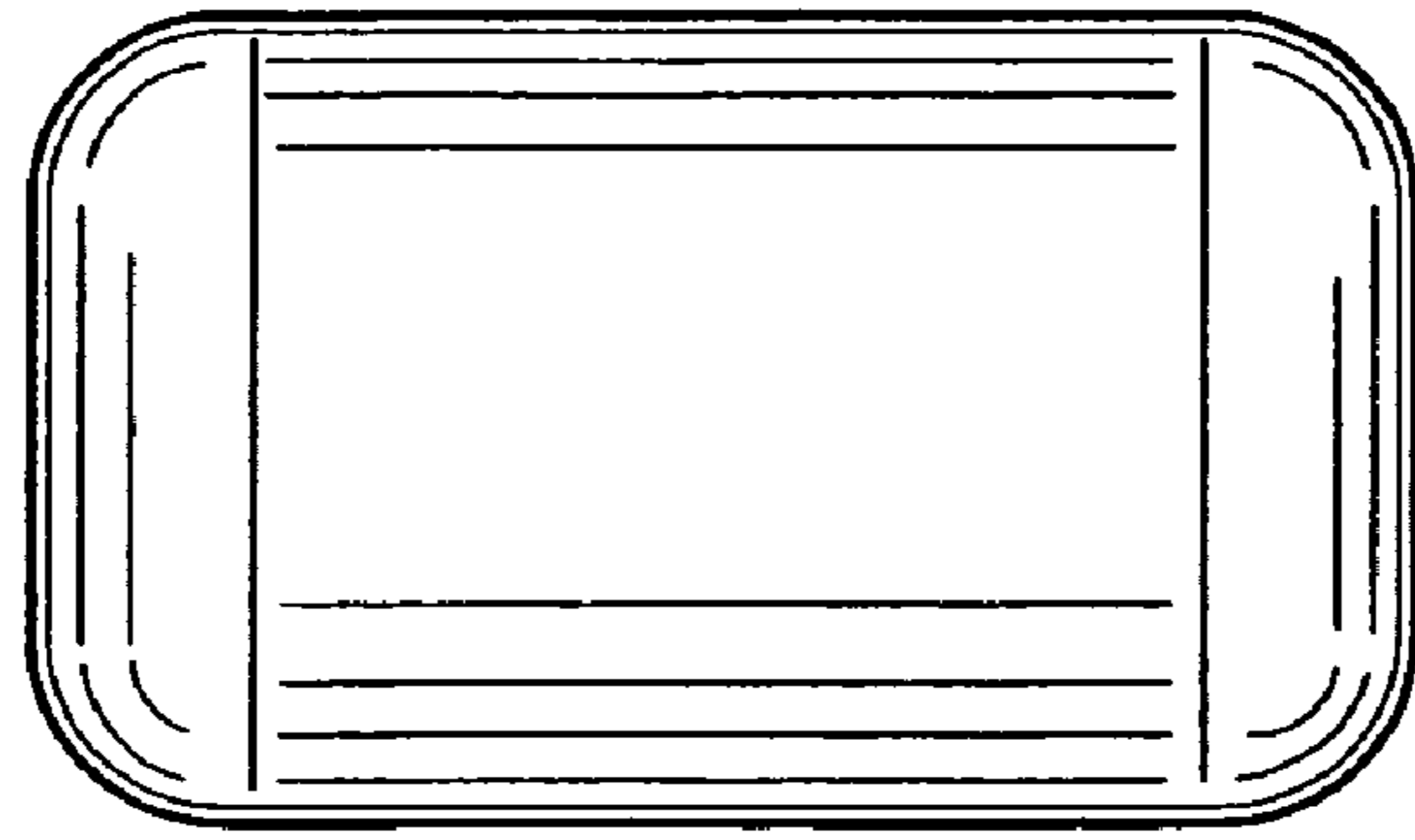


FIG. 3

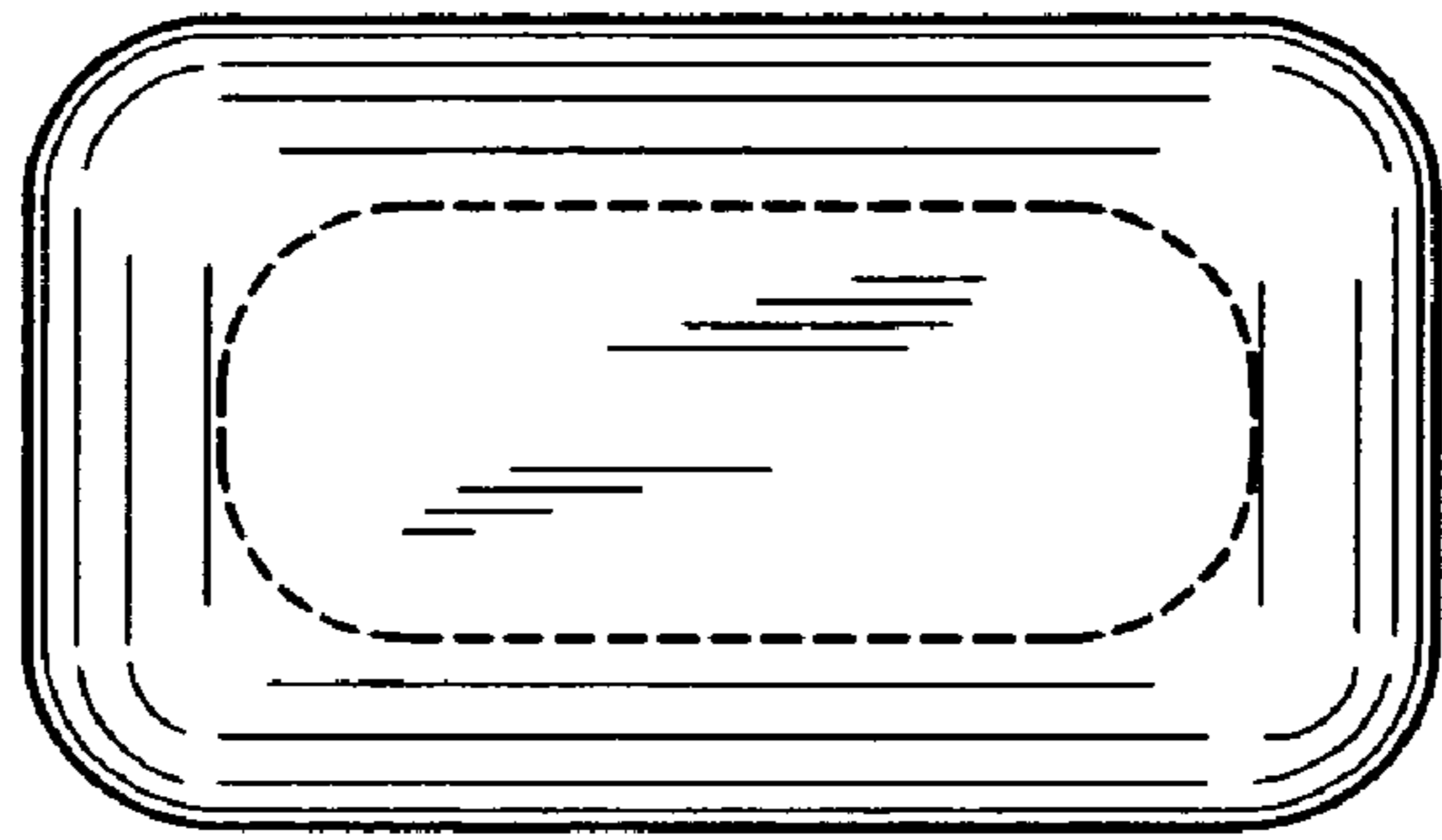


FIG. 4

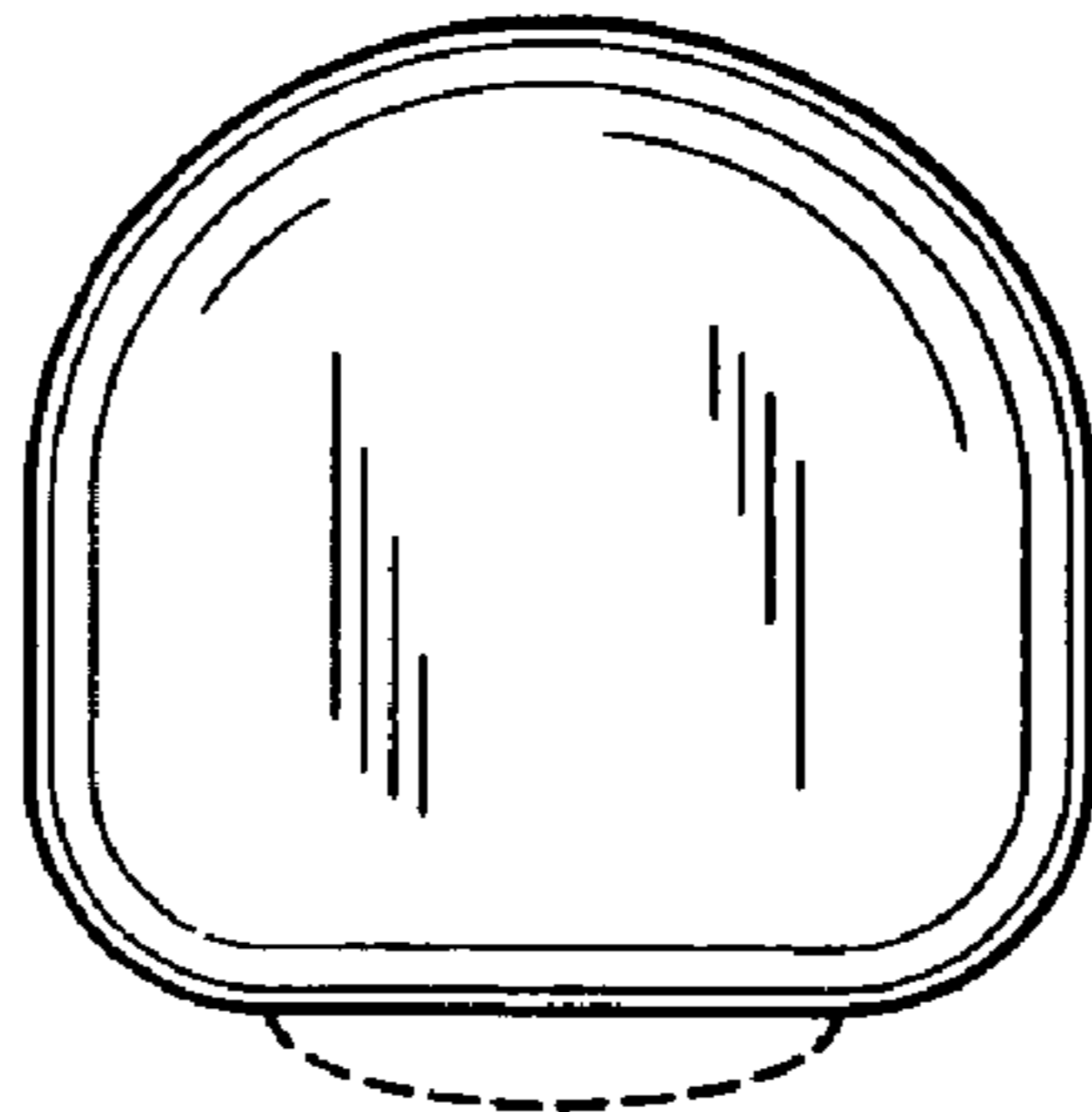


FIG. 5

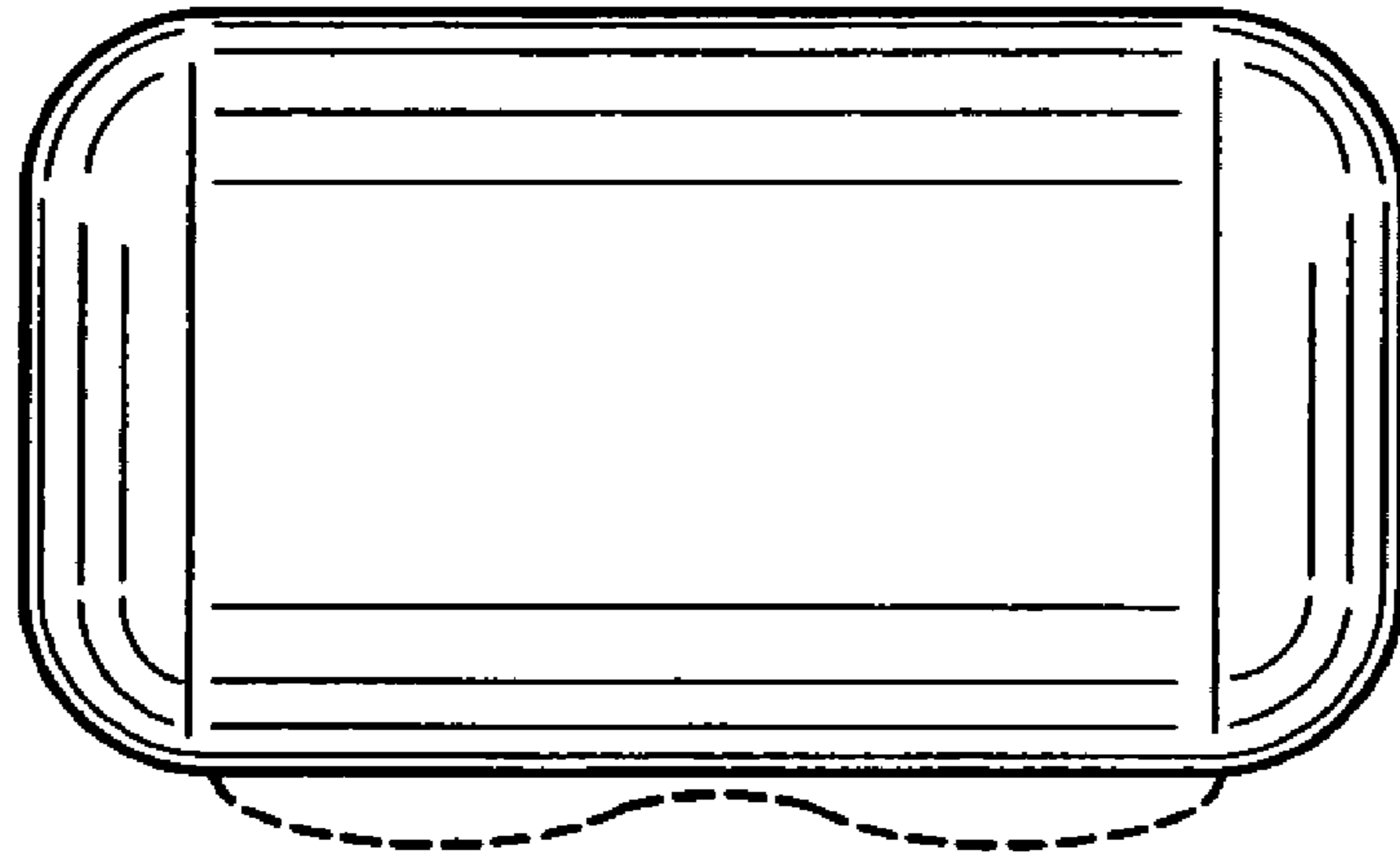


FIG. 6

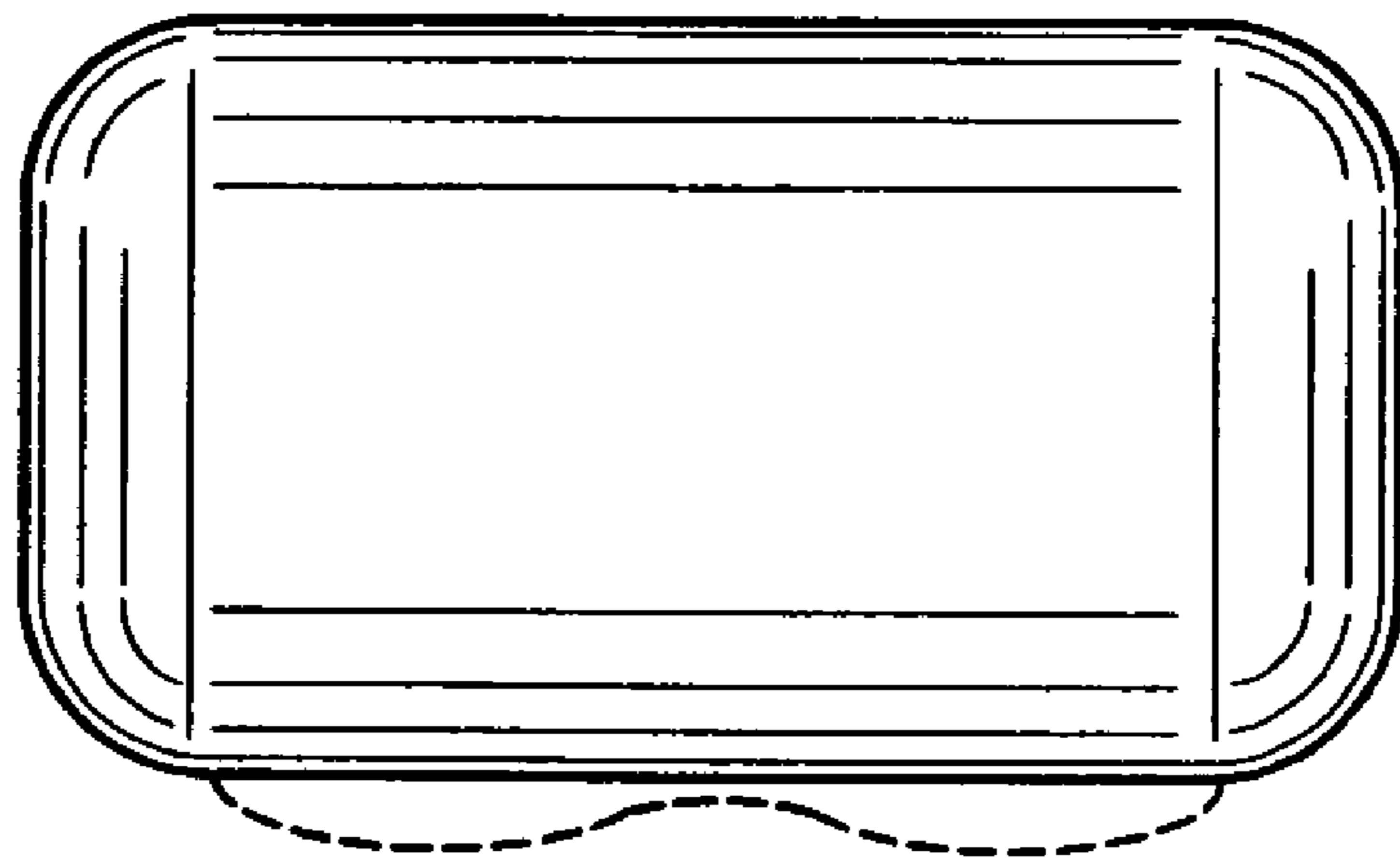


FIG. 7