

US00D572360S

(12) **United States Design Patent**  
**Dolezal et al.**

(10) **Patent No.:** **US D572,360 S**  
(45) **Date of Patent:** **\*\* \*Jul. 1, 2008**

- (54) **BREATHING AIR FILTRATION DEVICE**
- (75) Inventors: **David M. Dolezal**, Edina, MN (US);  
**John D. Wilder**, Brooklyn Park, MN  
(US); **Daniel M. Gelfman**, Minnetonka,  
MN (US)
- (73) Assignee: **Dolezal Creative Innovations, LLC**,  
Edina, MN (US)

- 2,151,227 A 3/1939 Pawelek
- 2,162,583 A 6/1939 Kjellsson
- 2,277,390 A 3/1942 Jose
- 2,433,565 A 12/1947 Alexander
- 2,535,155 A 12/1950 Pandorf
- 2,672,138 A 3/1954 Pomeroy
- 2,751,906 A 6/1956 Irvine
- 2,777,442 A 1/1957 Zelano
- 2,890,695 A 6/1959 Safstrom

(\*) Notice: This patent is subject to a terminal disclaimer.

(\*\*) Term: **14 Years**

(21) Appl. No.: **29/239,439**

(22) Filed: **Sep. 29, 2005**

**Related U.S. Application Data**

(63) Continuation-in-part of application No. 11/077,784, filed on Mar. 11, 2005, which is a continuation-in-part of application No. 10/804,995, filed on Mar. 19, 2004, now Pat. No. 7,156,098.

- (51) **LOC (8) Cl.** ..... **29-02**
- (52) **U.S. Cl.** ..... **D24/106; D24/110**
- (58) **Field of Classification Search** ..... **D24/106,**  
**D24/110; 128/206.11, 203.22, 207.18**  
See application file for complete search history.

(56) **References Cited**

**U.S. PATENT DOCUMENTS**

- 533,880 A 2/1895 Forne
- 701,538 A 6/1902 Carence
- 813,425 A 2/1906 Hill
- 1,071,015 A 8/1913 Adler
- 1,175,799 A 3/1916 Niessner
- 1,322,375 A 11/1919 Un
- 1,508,890 A 9/1924 Lasseaux
- 1,520,930 A 12/1924 Calhoun
- 1,823,094 A 9/1931 Dylong
- 2,057,397 A 10/1936 Clauss
- 2,097,846 A 11/1937 Clauss

(Continued)

**FOREIGN PATENT DOCUMENTS**

DE 20101539 U1 6/2001

(Continued)

**OTHER PUBLICATIONS**

T. J. O'Meara, et al., "The reduction of rhinitis symptoms by nasal filters during natural exposure to ragweed and grass pollen", *Allergy* 2005: 60: 529-532.

(Continued)

*Primary Examiner*—Ian Simmons  
*Assistant Examiner*—Christopher Lee  
(74) *Attorney, Agent, or Firm*—Dorsey & Whitney LLP

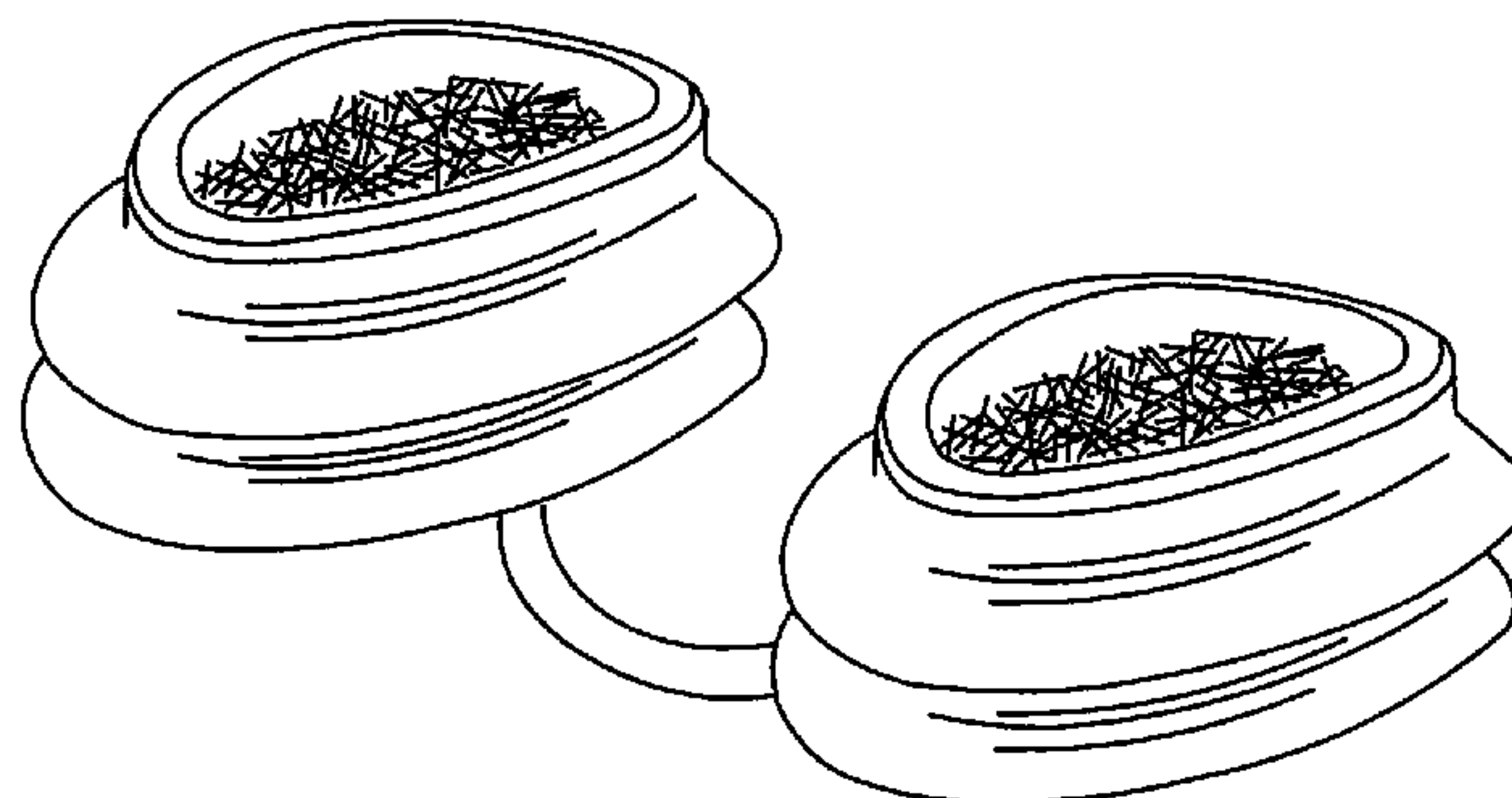
(57) **CLAIM**

The ornamental design for a breathing air filtration device, as shown.

**DESCRIPTION**

FIG. 1 is a perspective view of a breathing air filtration device showing our new design;  
FIG. 2 is a top view thereof;  
FIG. 3 is a front view thereof;  
FIG. 4 is a right side view thereof;  
FIG. 5 is a left side view thereof;  
FIG. 6 is a rear view thereof; and,  
FIG. 7 is a bottom view thereof.

**1 Claim, 3 Drawing Sheets**



# US D572,360 S

Page 2

## U.S. PATENT DOCUMENTS

3,451,392 A 6/1969 Cook et al.  
3,457,917 A 7/1969 Mercurio  
3,463,149 A 8/1969 Albu  
3,722,509 A 3/1973 Nebel  
3,747,597 A 7/1973 Olivera  
3,884,223 A 5/1975 Keindl  
3,905,335 A \* 9/1975 Kapp ..... 128/206.11  
4,030,491 A 6/1977 Mattila  
4,052,983 A 10/1977 Bovender  
D251,017 S \* 2/1979 Amezcua ..... D24/106  
4,220,150 A 9/1980 King  
4,221,217 A 9/1980 Amezcua  
4,267,831 A 5/1981 Aguilar  
4,327,719 A \* 5/1982 Childers ..... 128/206.1  
4,401,117 A 8/1983 Gershuny  
4,573,461 A 3/1986 Lake  
4,984,302 A 1/1991 Lincoln  
5,117,820 A 6/1992 Robitaille  
5,392,773 A 2/1995 Bertrand  
5,417,205 A 5/1995 Wang  
5,568,808 A 10/1996 Rimkus  
5,746,200 A 5/1998 Draenert  
5,775,335 A 7/1998 Seal  
5,787,884 A 8/1998 Tovey  
5,890,491 A 4/1999 Rimkus  
6,015,425 A 1/2000 Altadonna, Jr.  
6,109,262 A 8/2000 Tovey  
6,119,690 A 9/2000 Pantaleo

6,213,121 B1 4/2001 Cardarelli  
D451,193 S \* 11/2001 McCormick ..... D24/106  
6,386,197 B1 5/2002 Miller  
6,494,205 B1 12/2002 Brown  
6,701,924 B1 3/2004 Land, Jr. et al.  
6,962,156 B2 11/2005 Michaels  
6,978,781 B1 \* 12/2005 Jordan ..... 128/206.11  
2003/0106555 A1 6/2003 Tovey  
2003/0106556 A1 6/2003 Alperovich et al.  
2003/0209145 A1 11/2003 Soper  
2004/0055603 A1 3/2004 Bruce  
2004/0079814 A1 4/2004 Altadonna, Jr.  
2004/0194784 A1 10/2004 Bertrand  
2004/0211425 A1 10/2004 Wang  
2004/0261798 A1 12/2004 Rimkus  
2005/0061325 A1 3/2005 Michaels  
2005/0066972 A1 3/2005 Michaels  
2005/0066973 A1 3/2005 Michaels  
2005/0205095 A1 9/2005 Dolezal et al.

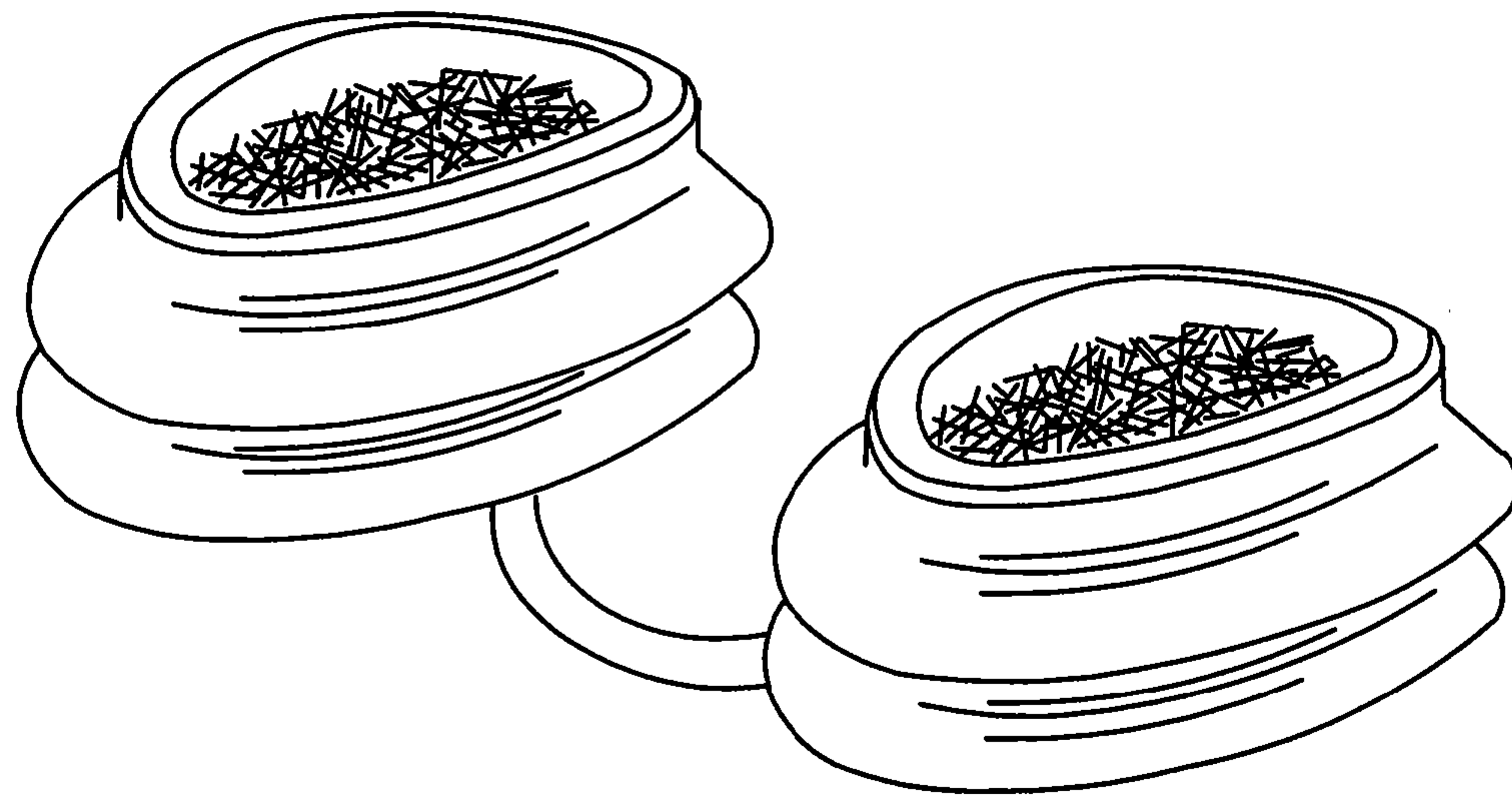
## FOREIGN PATENT DOCUMENTS

EP 1340522 A2 9/2003

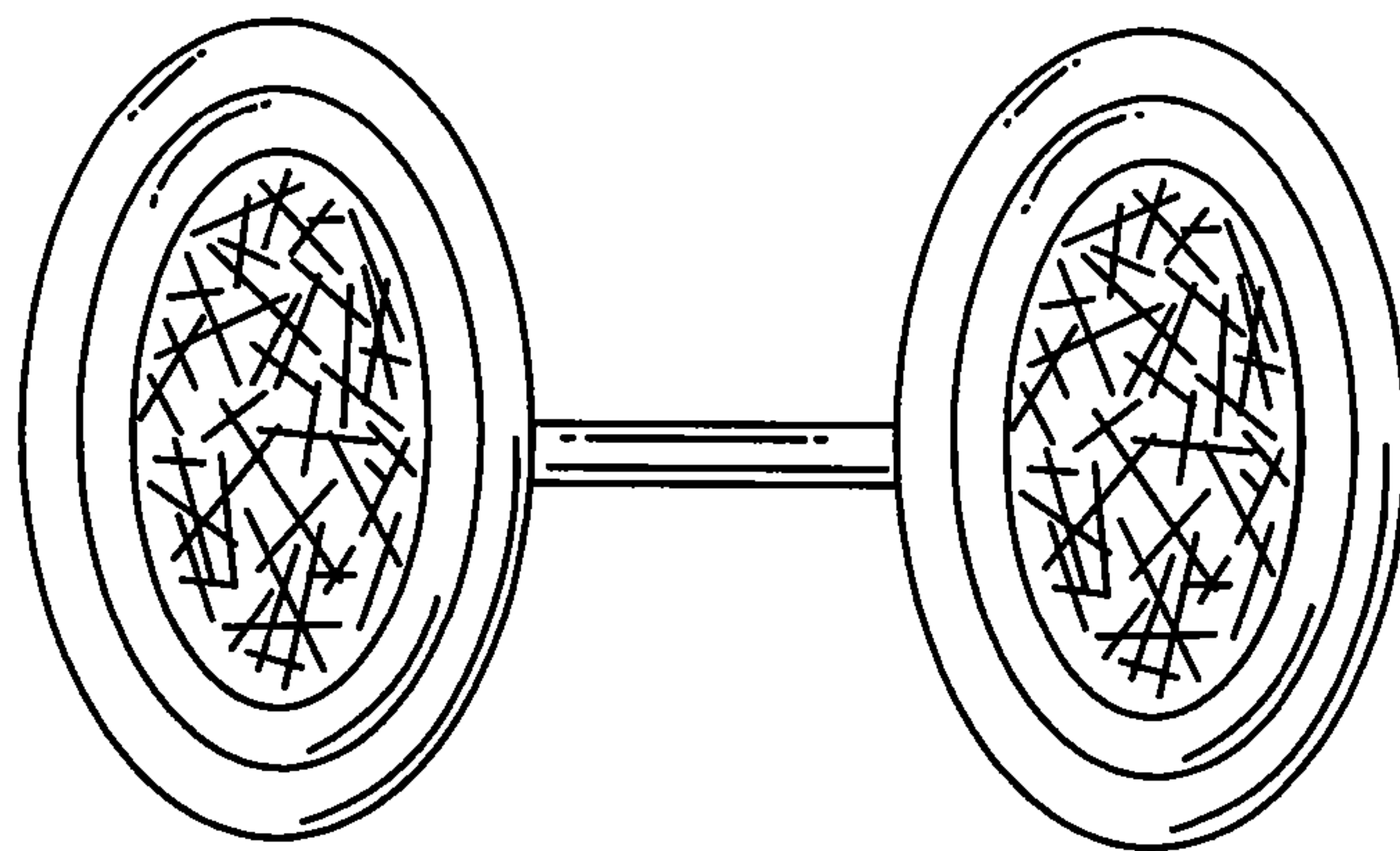
## OTHER PUBLICATIONS

Medical Device Company Focused Initially on Preventing Hay  
Fever, The University of Sydney Business Liaison Office, Com-  
mercialisation; *Forum & Fair of Ideas*; Sydney Mar. 26-28, 2003.

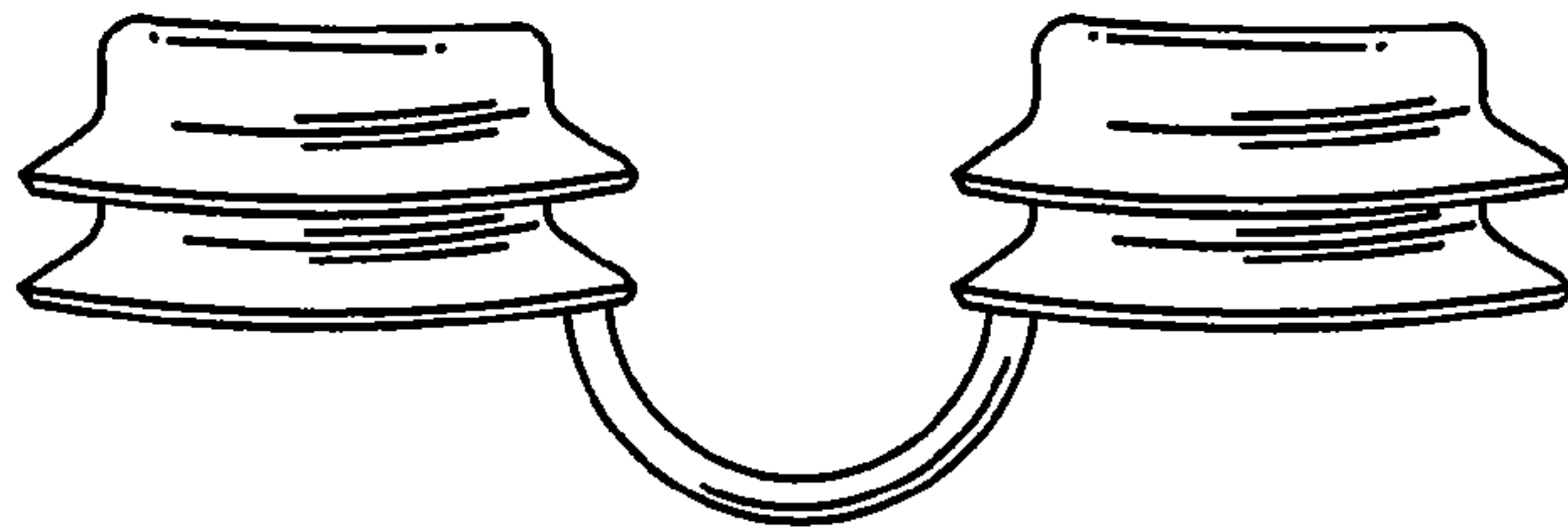
\* cited by examiner



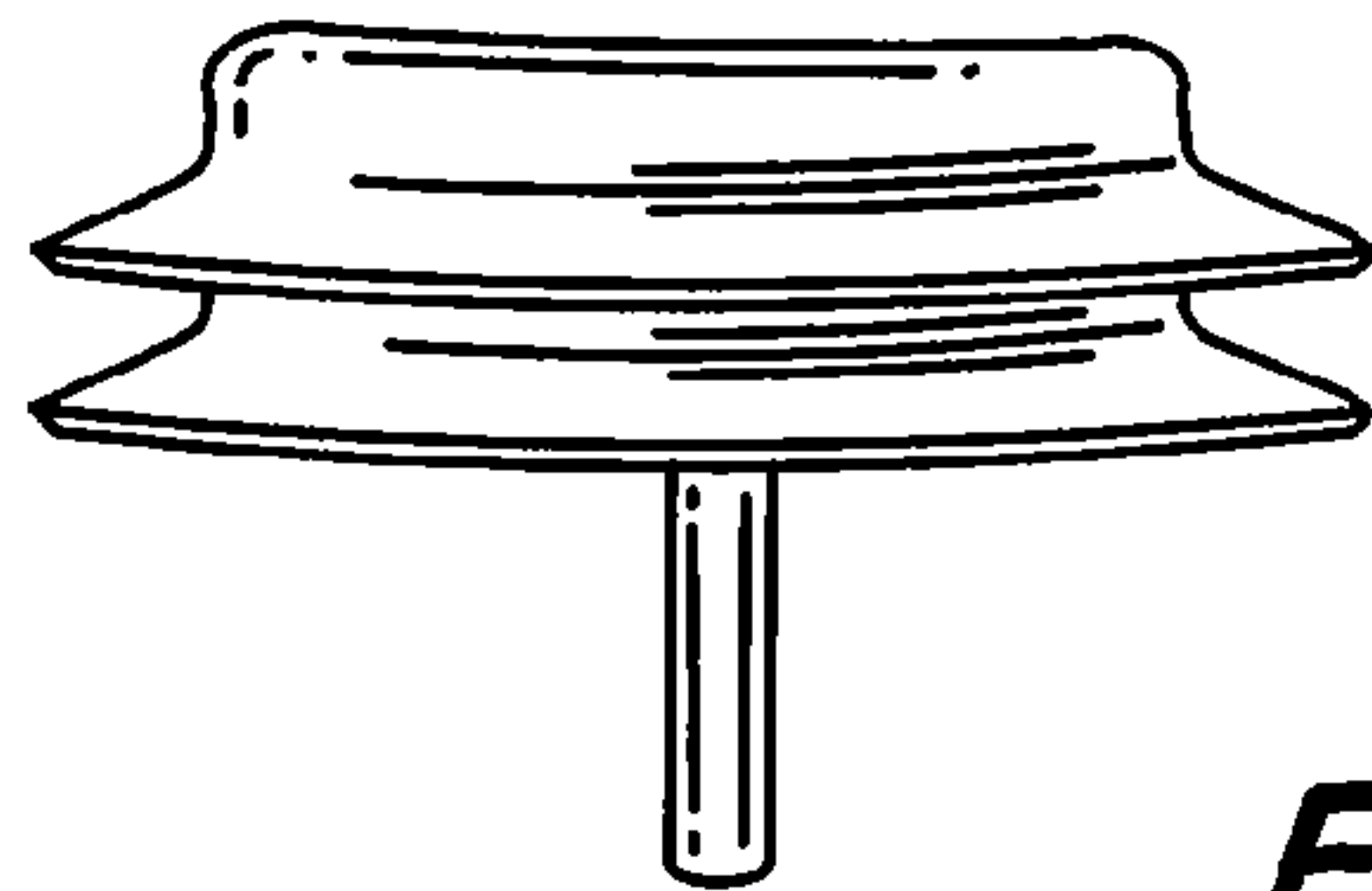
*Fig. 1*



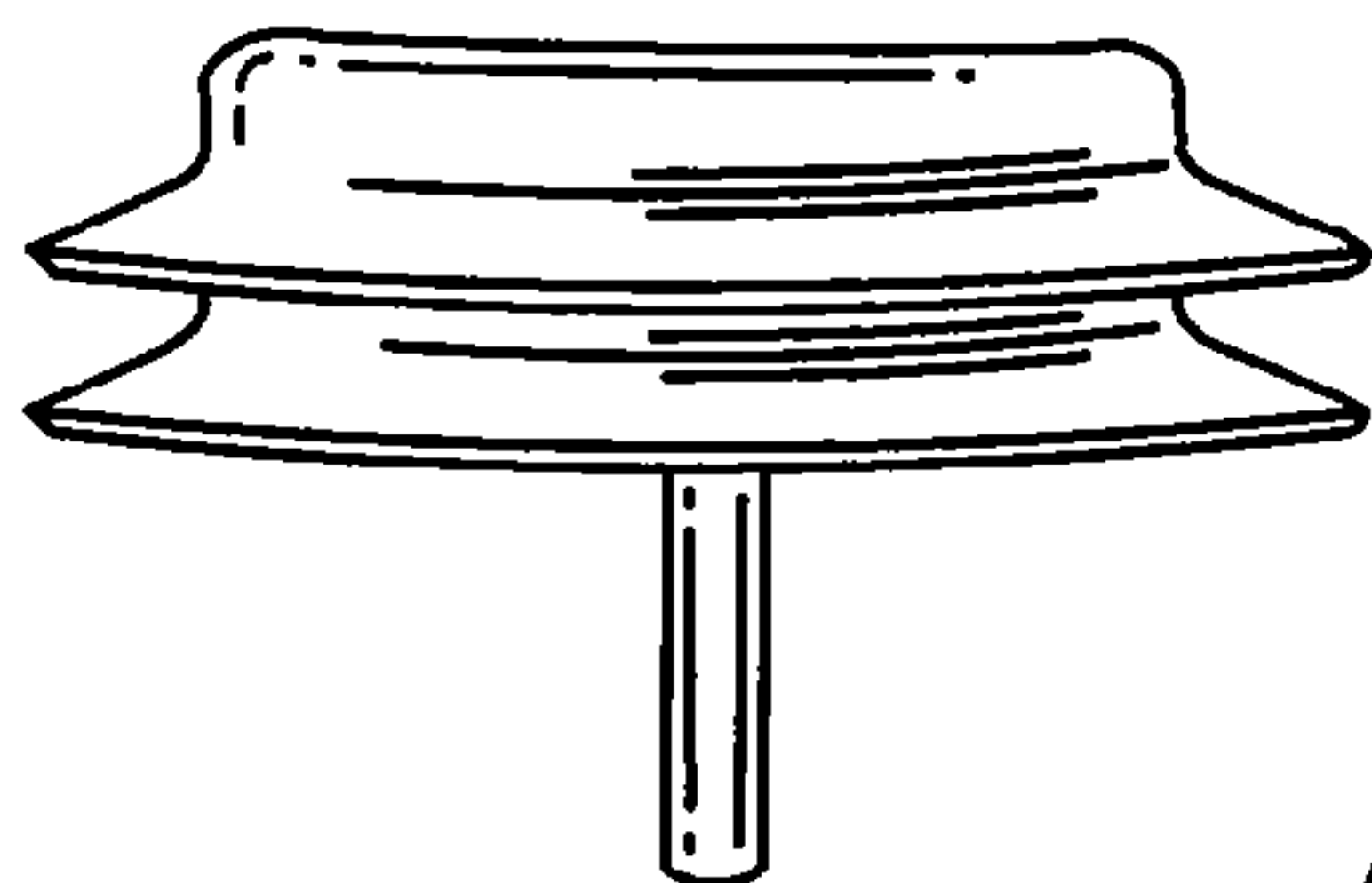
*Fig. 2*



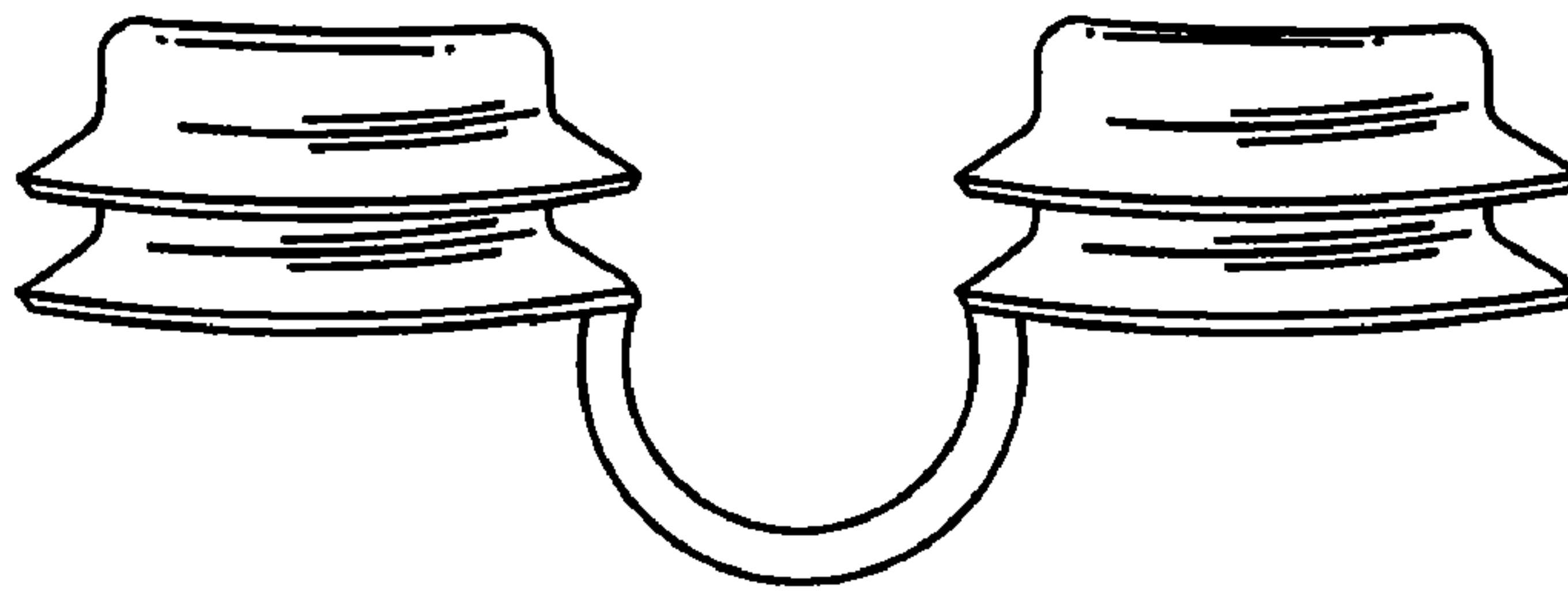
*Fig. 3*



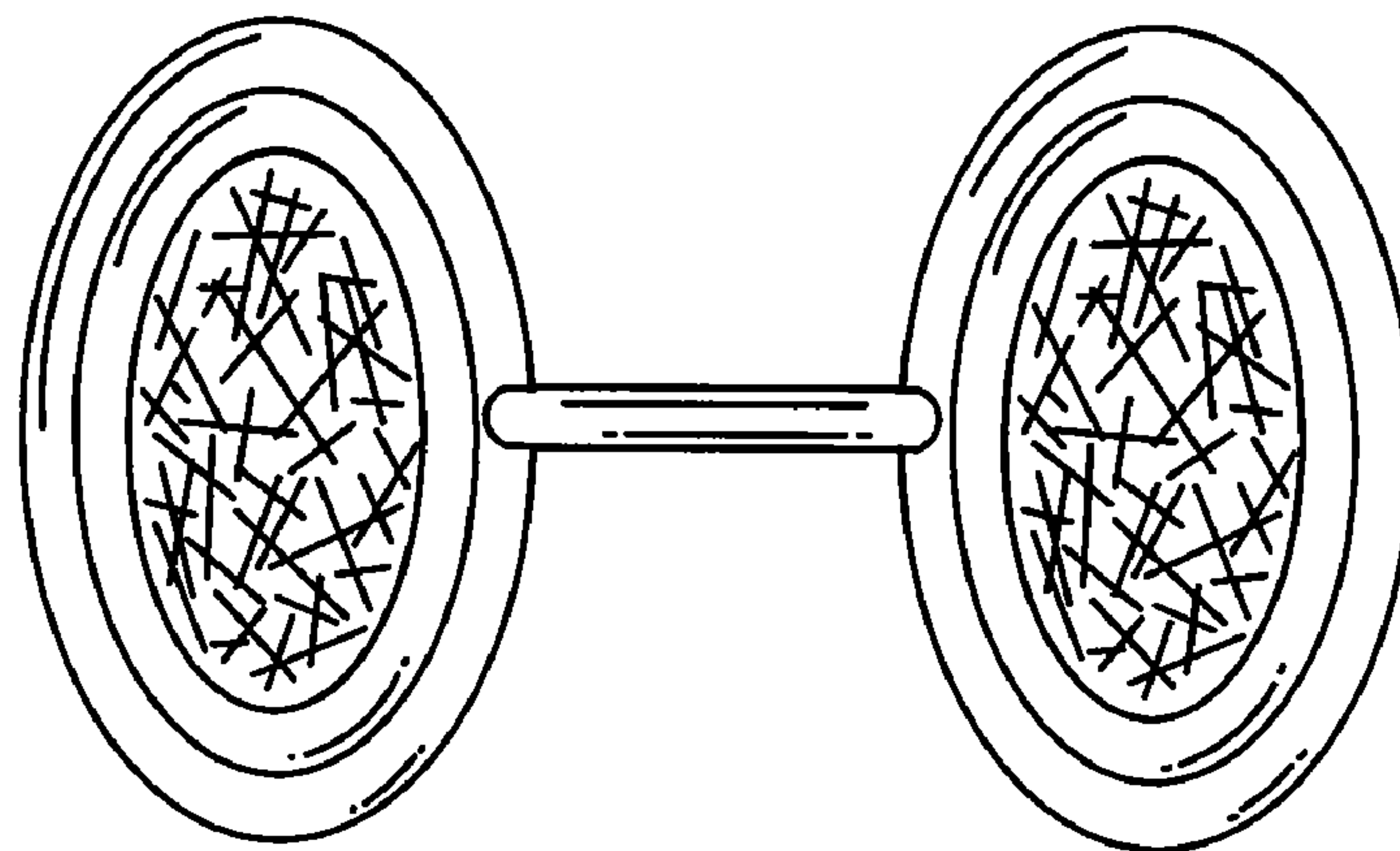
*Fig. 4*



*Fig. 5*



*Fig. 6*



*Fig. 7*