



US00D572358S

(12) **United States Design Patent**  
**Nattrass et al.**

(10) **Patent No.:** **US D572,358 S**  
(45) **Date of Patent:** **\*\* Jul. 1, 2008**

- (54) **GRATE**
- (75) Inventors: **Nigel Nattrass**, Rhodes (AU); **Owen Luke**, Kiama Heights (AU)
- (73) Assignee: **Relu Pty Limited**, Ingleburn, NSW (AU)
- (\*\*) Term: **14 Years**
- (21) Appl. No.: **29/253,873**
- (22) Filed: **Feb. 13, 2006**
- (51) **LOC (8) Cl.** ..... **23-01**
- (52) **U.S. Cl.** ..... **D23/397**
- (58) **Field of Classification Search** ..... D23/397,  
D23/388, 386, 387, 392, 393, 400, 401, 261;  
D25/138, 156, 152, 153, 157, 164, 35; 210/163;  
404/2, 4; 126/152 R  
See application file for complete search history.

(56) **References Cited**

U.S. PATENT DOCUMENTS

1,997,201	A *	4/1935	Schwemler	.....	210/163
2,305,955	A *	12/1942	Dudley	.....	210/163
2,701,027	A *	2/1955	Scoville	.....	210/163
3,225,545	A *	12/1965	Flegel	.....	404/2
4,621,939	A *	11/1986	Thomann et al.	.....	404/4
D299,543	S *	1/1989	Phillips	.....	D25/164
4,940,359	A *	7/1990	Van Duyn et al.	.....	404/2
D312,696	S *	12/1990	Phillips	.....	D25/35
D339,415	S *	9/1993	Kiras	.....	D23/397
D377,389	S *	1/1997	Phillips et al.	.....	D23/261
5,702,204	A *	12/1997	Gunter	.....	404/2
7,066,685	B2 *	6/2006	Humphries et al.	.....	210/163

2005/0271468 A1\* 12/2005 Messerschmidt et al. .... 404/4

\* cited by examiner

*Primary Examiner*—Louis S Zarfaz

*Assistant Examiner*—David G Muller

(74) *Attorney, Agent, or Firm*—Barnes & Thornburg LLP

(57) **CLAIM**

The ornamental design for a grate, as shown and described.

**DESCRIPTION**

FIG. 1 is a top perspective view of the grate according to an embodiment of the present disclosure;

FIG. 2 is a bottom perspective view thereof;

FIG. 3 is a top plan view thereof;

FIG. 4 is a bottom plan view thereof;

FIG. 5 is a side elevation view thereof;

FIG. 6 is an elevation view of one end of the grate, shown at a larger scale;

FIG. 7 is an elevation view of the other end of the grate;

FIG. 8 is a detailed top plan view of one end of the grate;

FIG. 9 is a detailed side elevation view thereof;

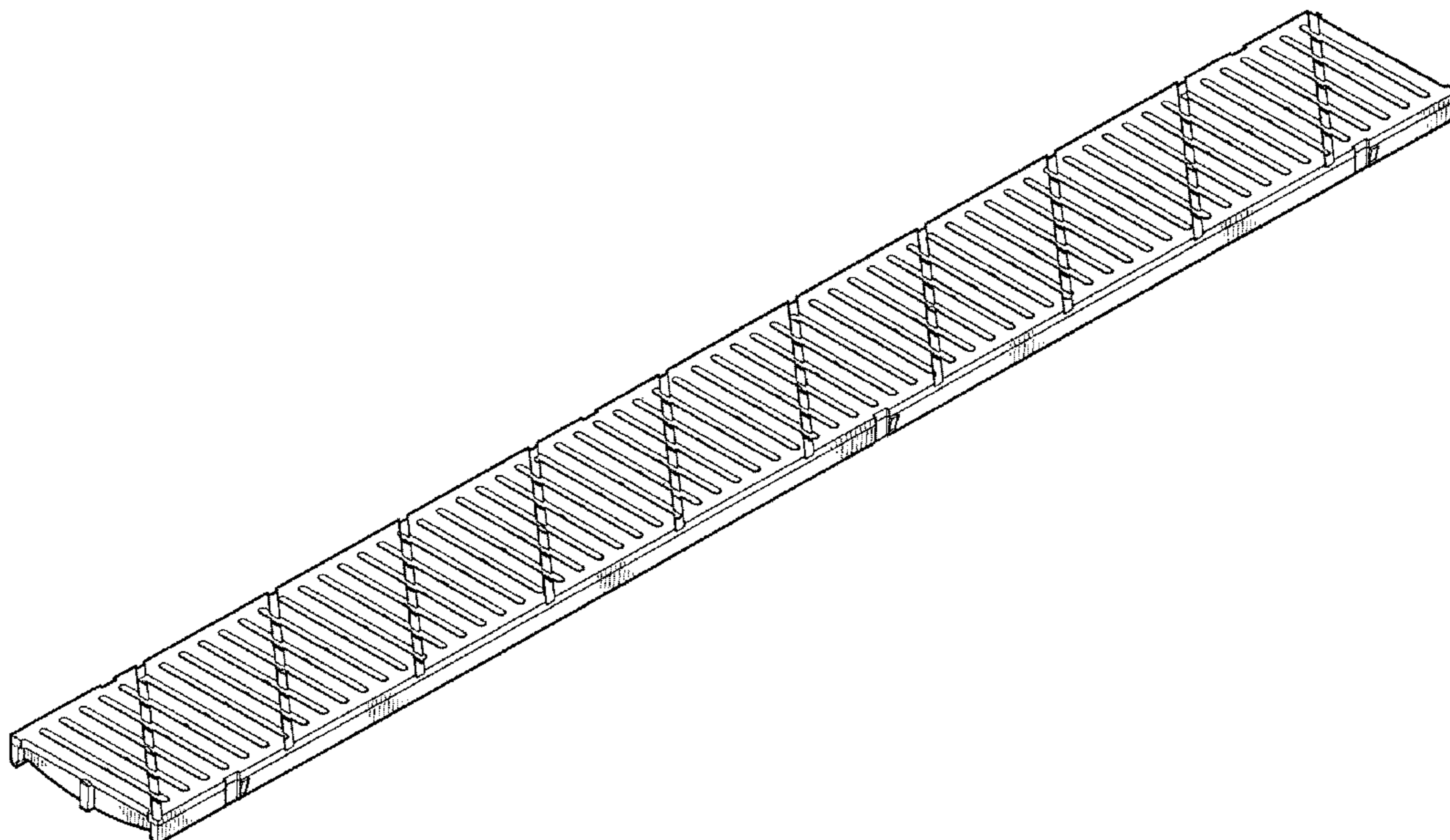
FIG. 10 is a detailed bottom plan view thereof;

FIG. 11 is a detailed side elevation view of FIG. 10;

FIG. 12 is a detailed top perspective view of one end of the grate; and,

FIG. 13 is a detailed bottom perspective view of one end of the grate.

**1 Claim, 7 Drawing Sheets**



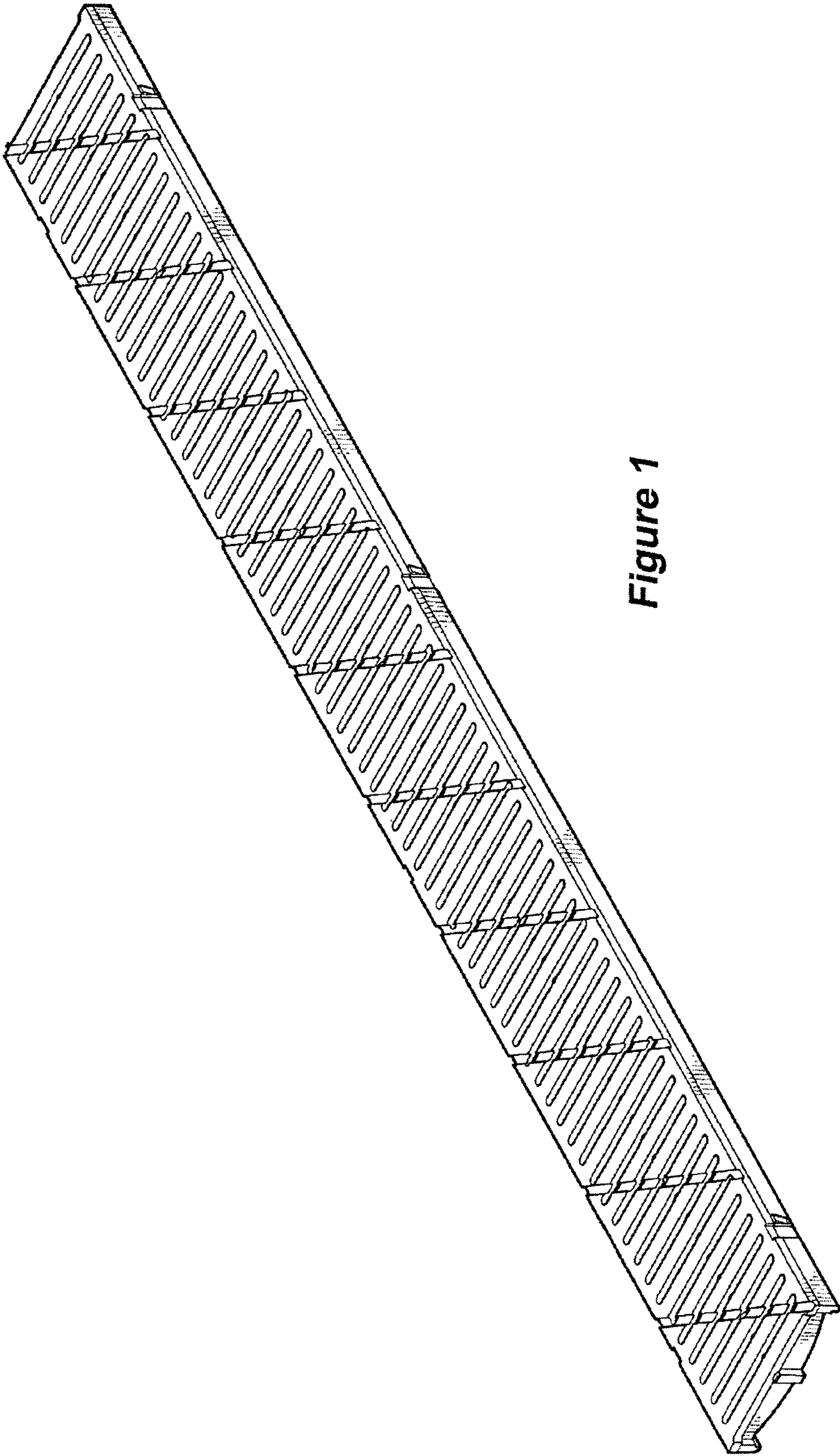


Figure 1

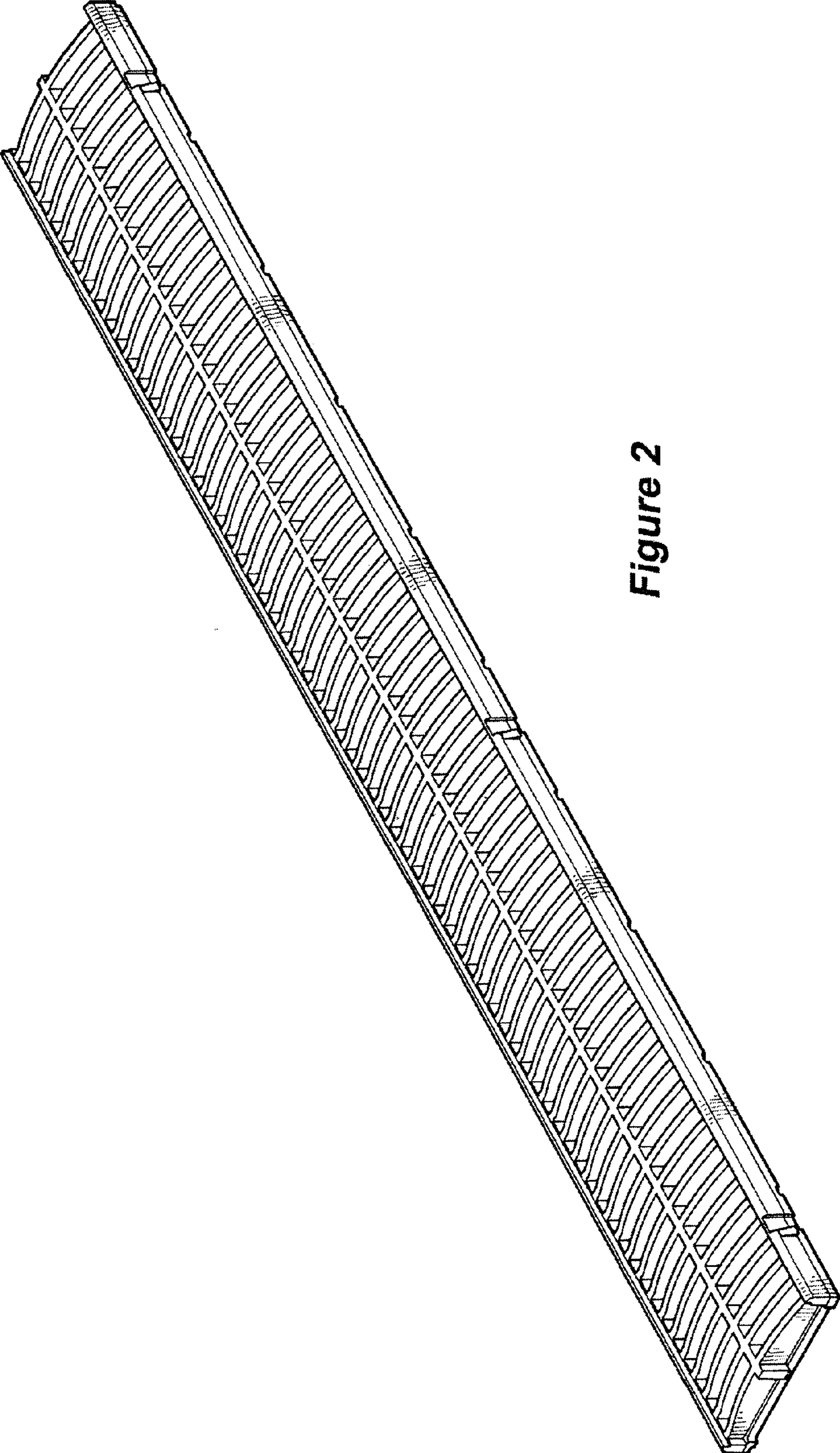
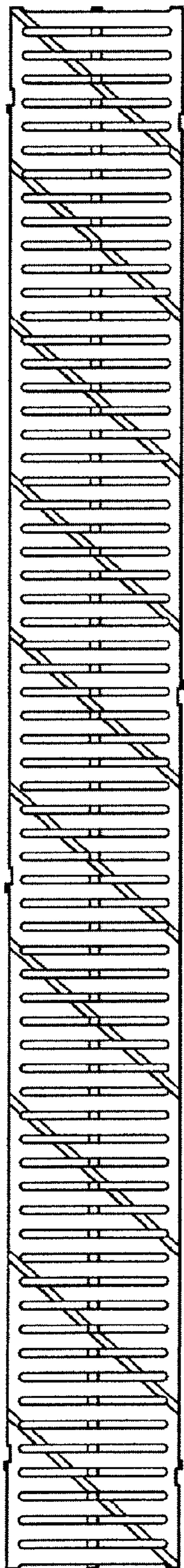
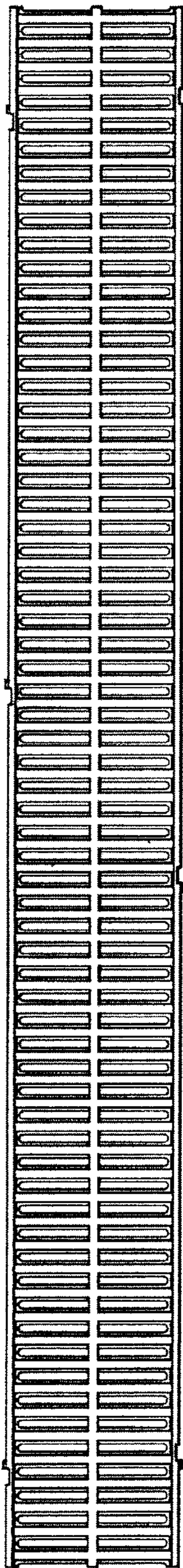


Figure 2



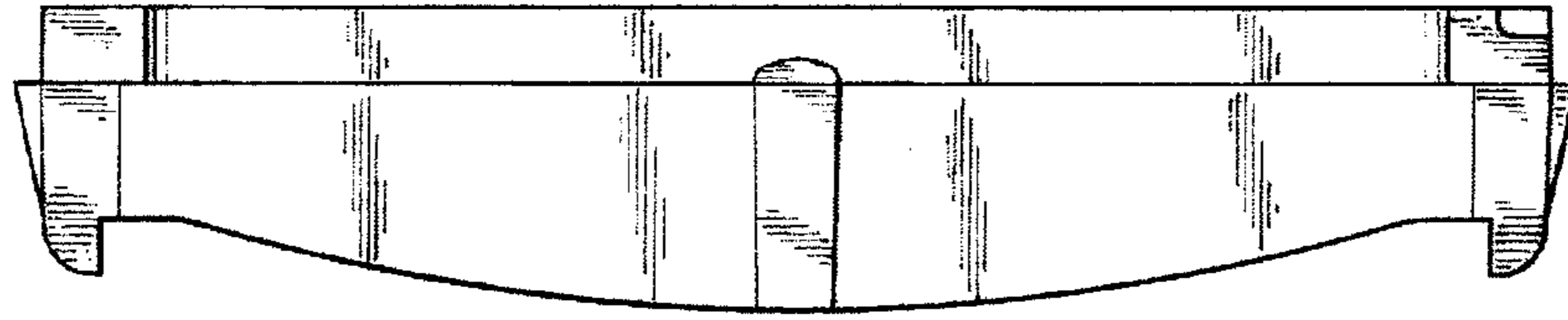
*Figure 3*



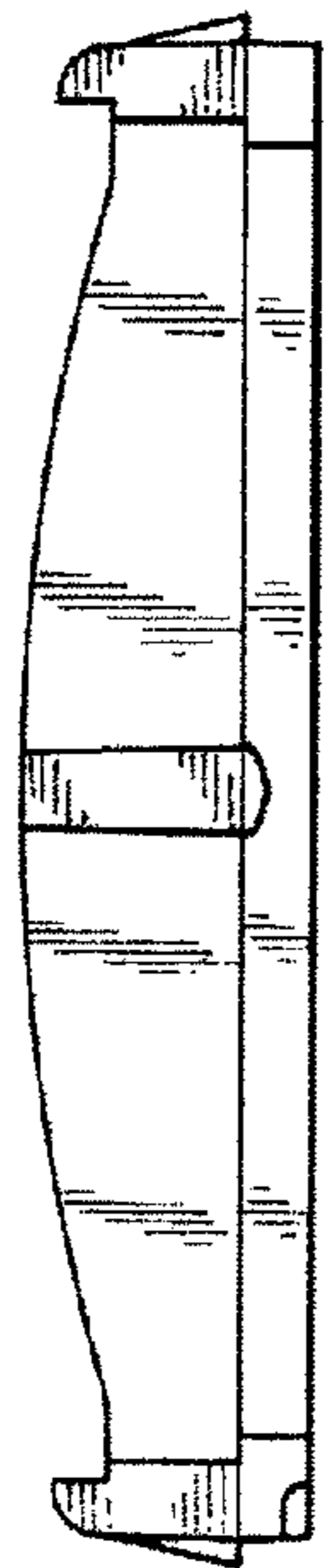
*Figure 4*



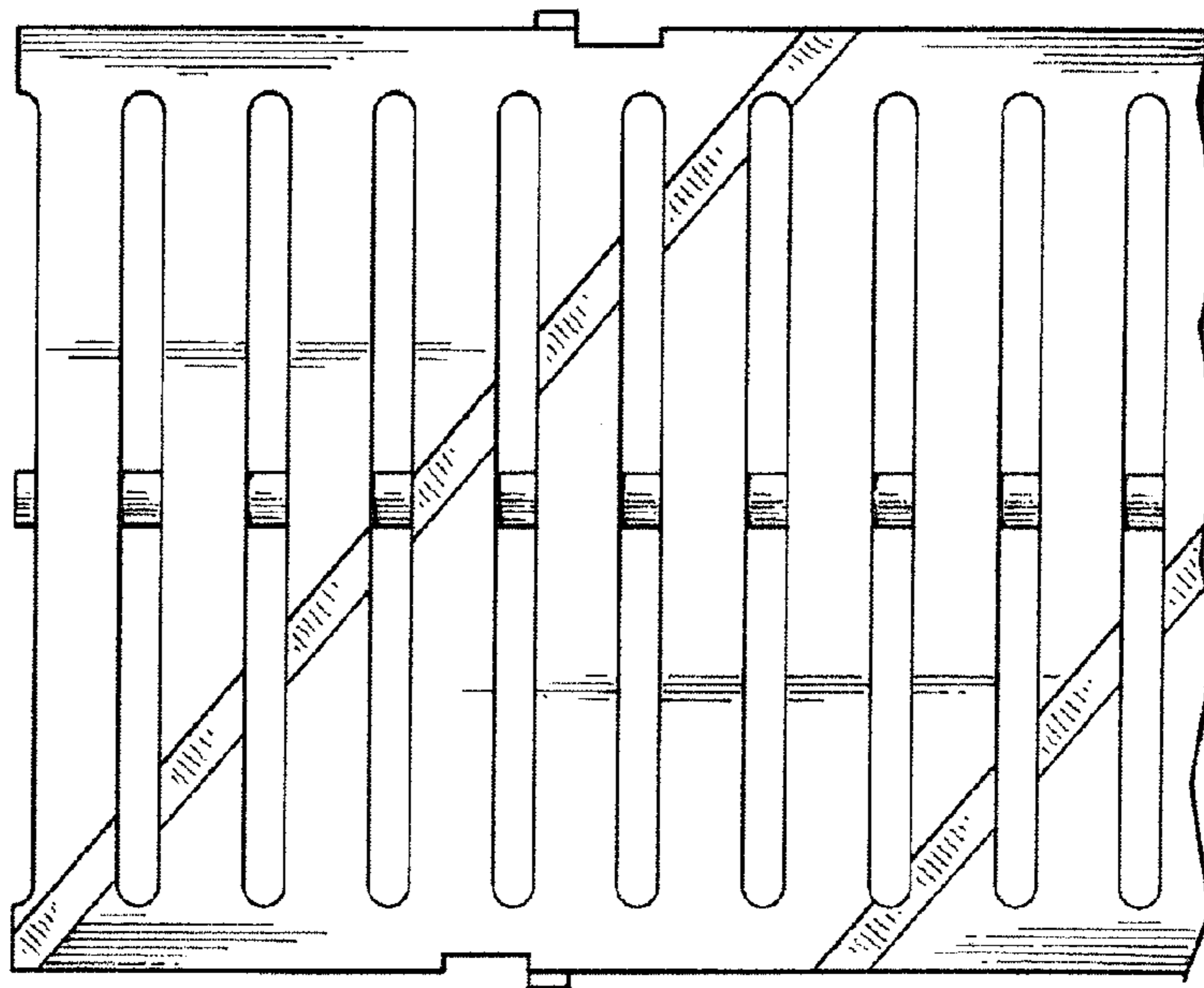
*Figure 5*



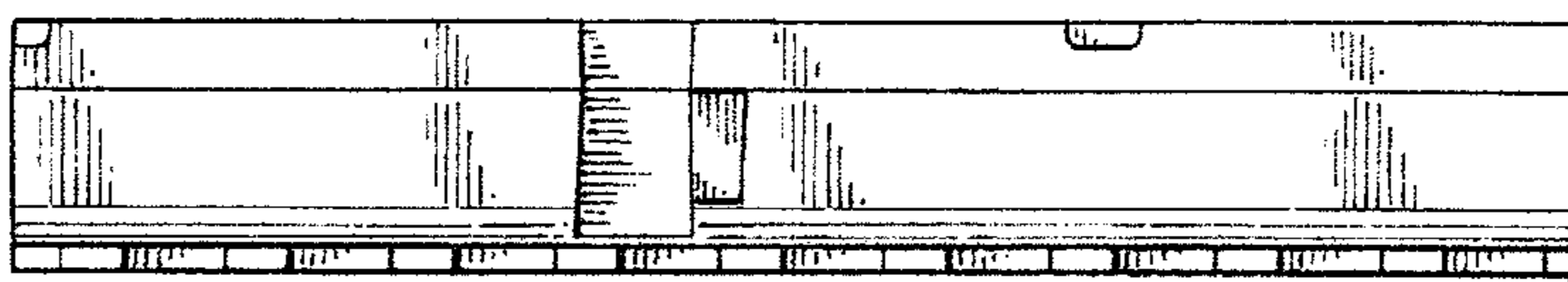
**Figure 6**



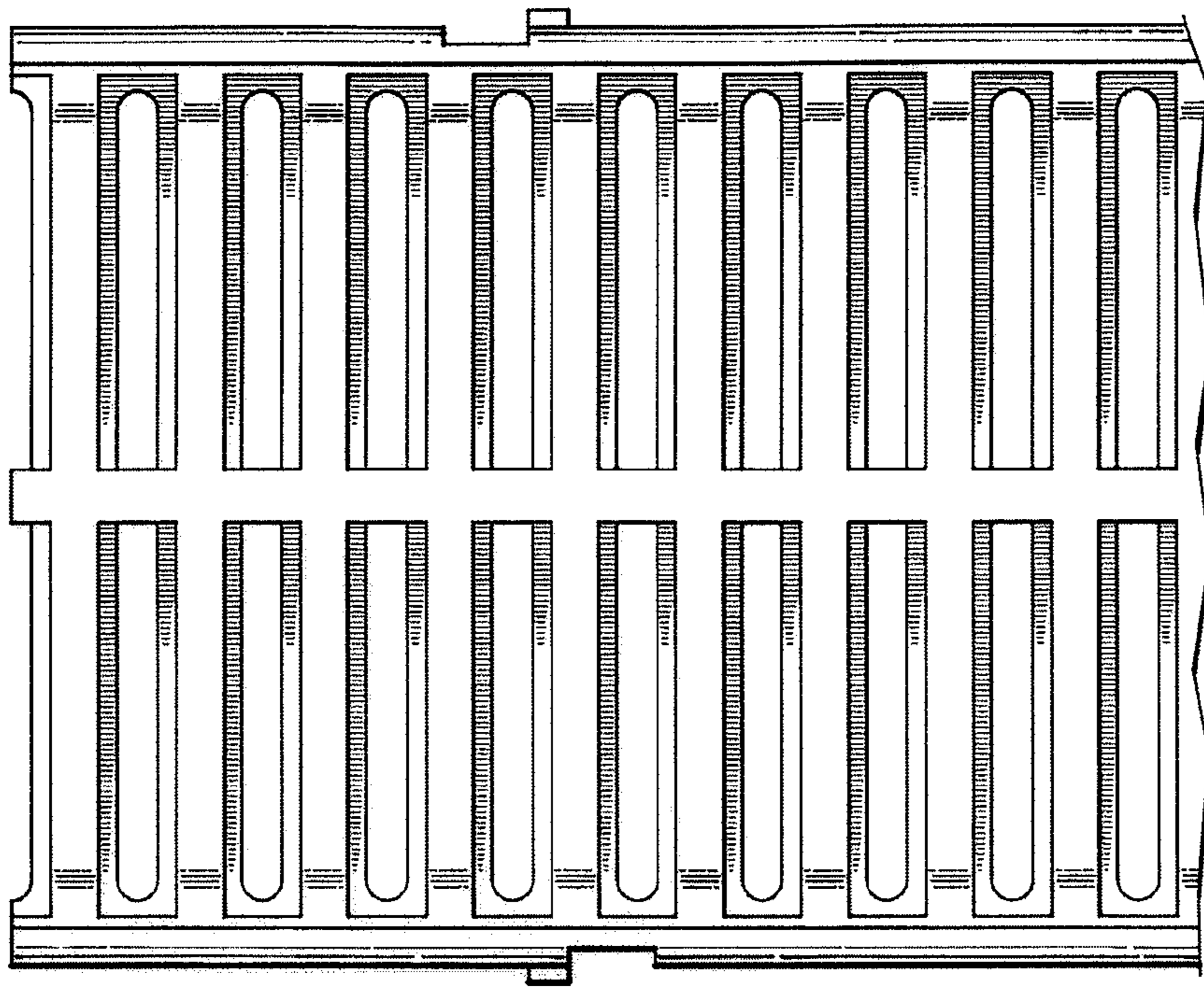
**Figure 7**



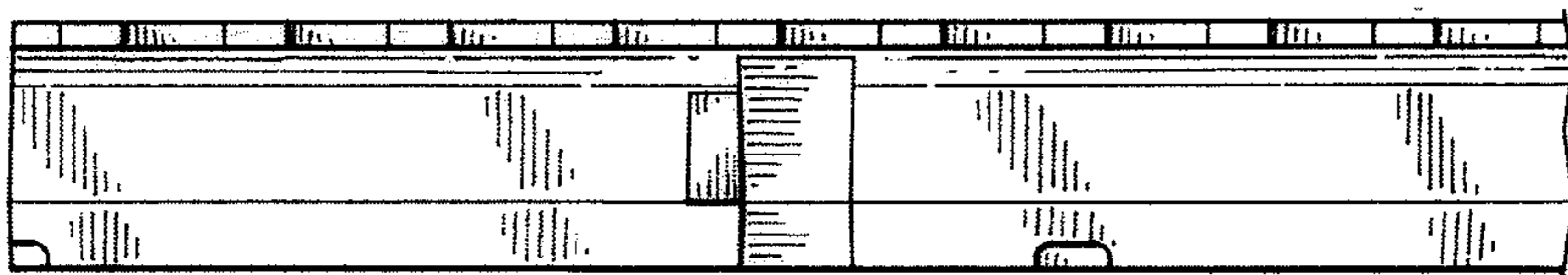
**Figure 8**



**Figure 9**



**Figure 10**



**Figure 11**

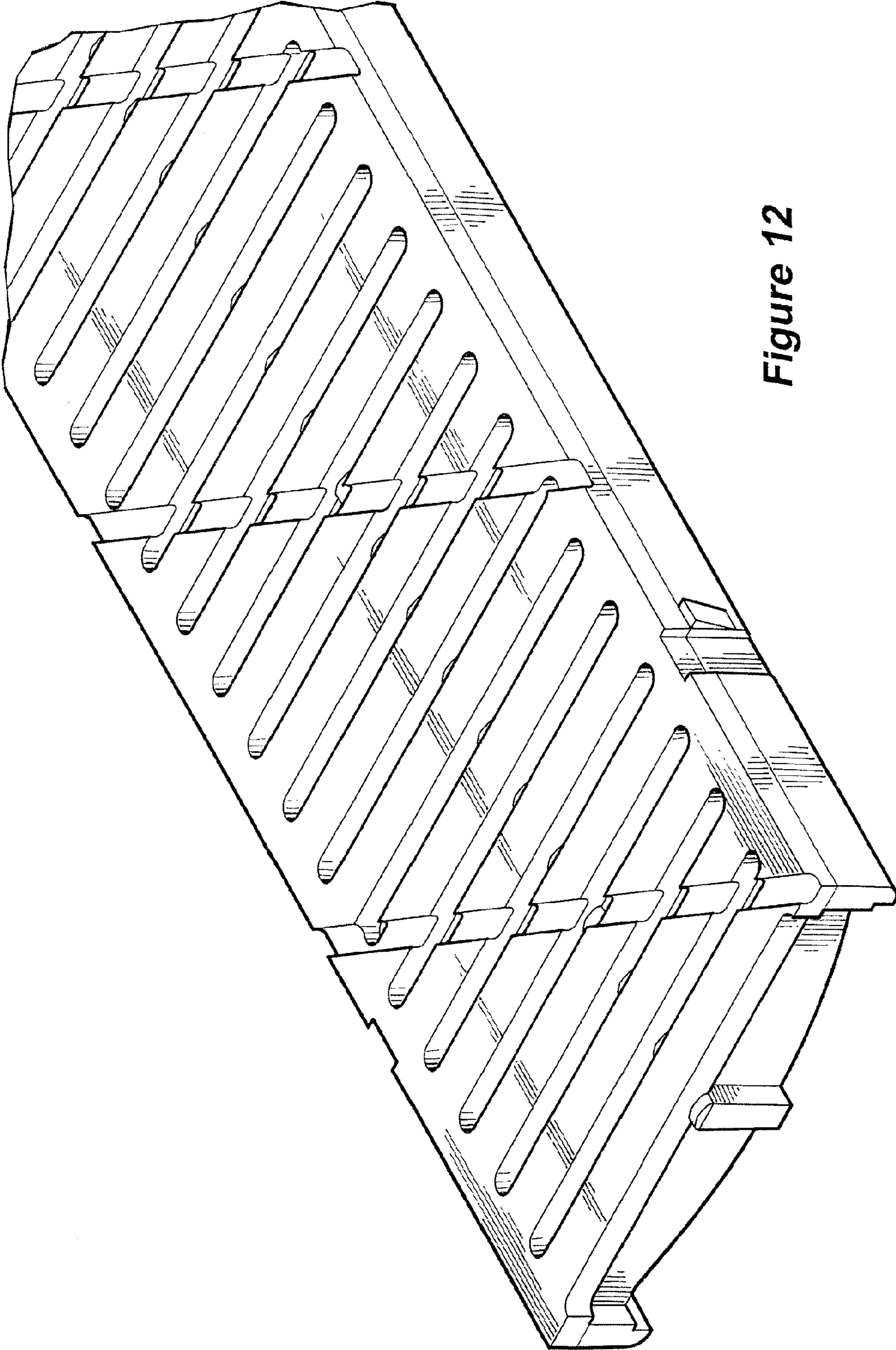


Figure 12

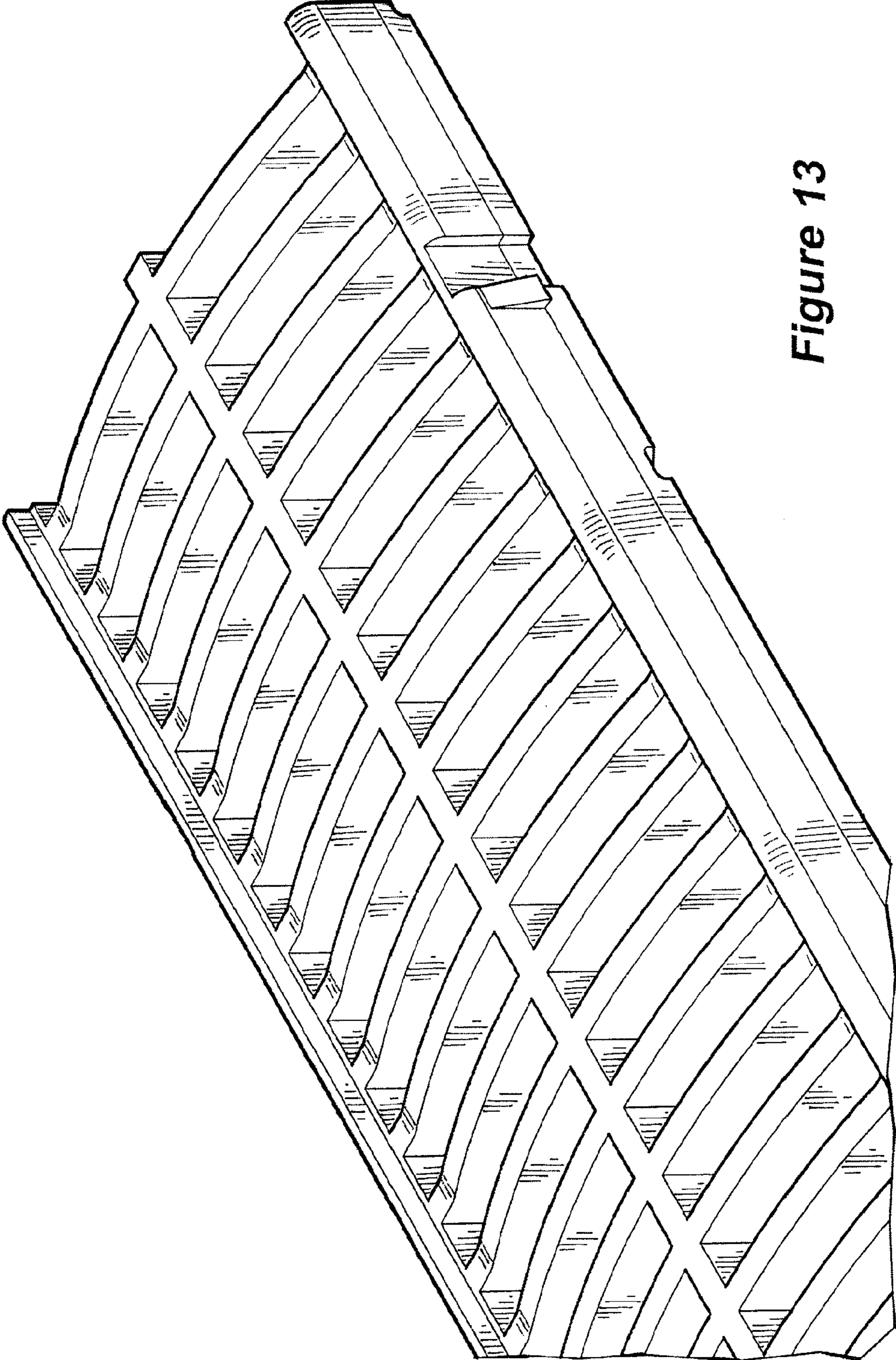


Figure 13