



US00D572356S

(12) **United States Design Patent**
Harber

(10) **Patent No.:** **US D572,356 S**
(45) **Date of Patent:** **** Jul. 1, 2008**

(54) **AIR FILTRATION DEVICE**

(75) Inventor: **Blair L. Harber**, St. Davids (CA)

(73) Assignee: **Abatement Technologies, Inc.**,
Suwanee, GA (US)

(**) Term: **14 Years**

(21) Appl. No.: **29/272,104**

(22) Filed: **Feb. 1, 2007**

(51) **LOC (8) Cl.** **23-04**

(52) **U.S. Cl.** **D23/364**

(58) **Field of Classification Search** D23/364,
D23/355, 356, 359, 360, 362, 352, 366, 369,
D23/332, 333, 335, 336, 342, 207; 422/120,
422/122; 55/356, 473, 504; 210/497.1; 96/97;
D14/188, 170, 172; D10/75
See application file for complete search history.

(56) **References Cited**

U.S. PATENT DOCUMENTS

D316,142 S *	4/1991	Lutterbach et al.	D23/364
D325,252 S *	4/1992	Morris et al.	D23/364
D337,592 S *	7/1993	Hider et al.	D23/332
D352,350 S *	11/1994	Rambo et al.	D23/364
D359,055 S *	6/1995	Drago et al.	D23/207
D394,499 S *	5/1998	Bettag et al.	D23/332
D399,938 S *	10/1998	Miller et al.	D23/355
D428,644 S *	7/2000	De'Longhi	D23/332
D433,346 S *	11/2000	Evans et al.	D10/75
D439,320 S *	3/2001	Lee	D23/366

D445,116 S *	7/2001	Evans et al.	D23/332
D462,754 S *	9/2002	Briggs et al.	D23/364
D508,735 S *	8/2005	Klein	D23/359

* cited by examiner

Primary Examiner—Stella M. Reid

Assistant Examiner—David G Muller

(74) *Attorney, Agent, or Firm*—Kilpatrick Stockton LLP

(57) **CLAIM**

The ornamental design for an air filtration device, as shown and described.

DESCRIPTION

FIG. 1 shows a perspective view of an air filtration device according to the present invention.

FIG. 2 shows a front elevation view of the air filtration device of FIG. 1.

FIG. 3 shows a right side elevation view of the air filtration device of FIG. 1.

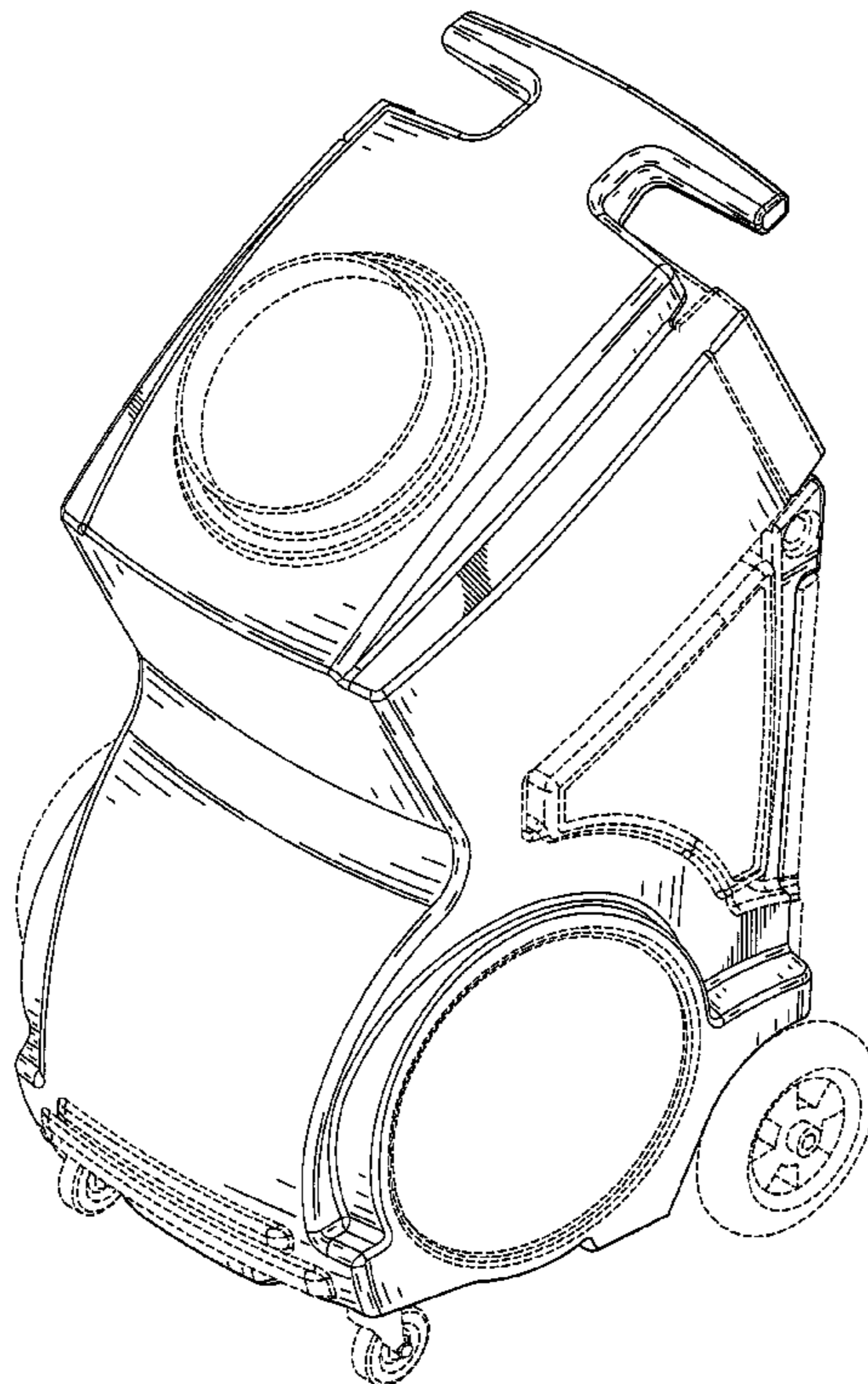
FIG. 4 shows a rear elevation view of the air filtration device of FIG. 1.

FIG. 5 shows a left side elevation view of the air filtration device of FIG. 1; and,

FIG. 6 shows a top view of the air filtration device of FIG. 1.

Portions or features of the air filtration device not shown in the drawings form no part of the claimed design. The broken lines shown in the drawings are for illustrative purposes only, and form no part of the claimed design.

1 Claim, 6 Drawing Sheets



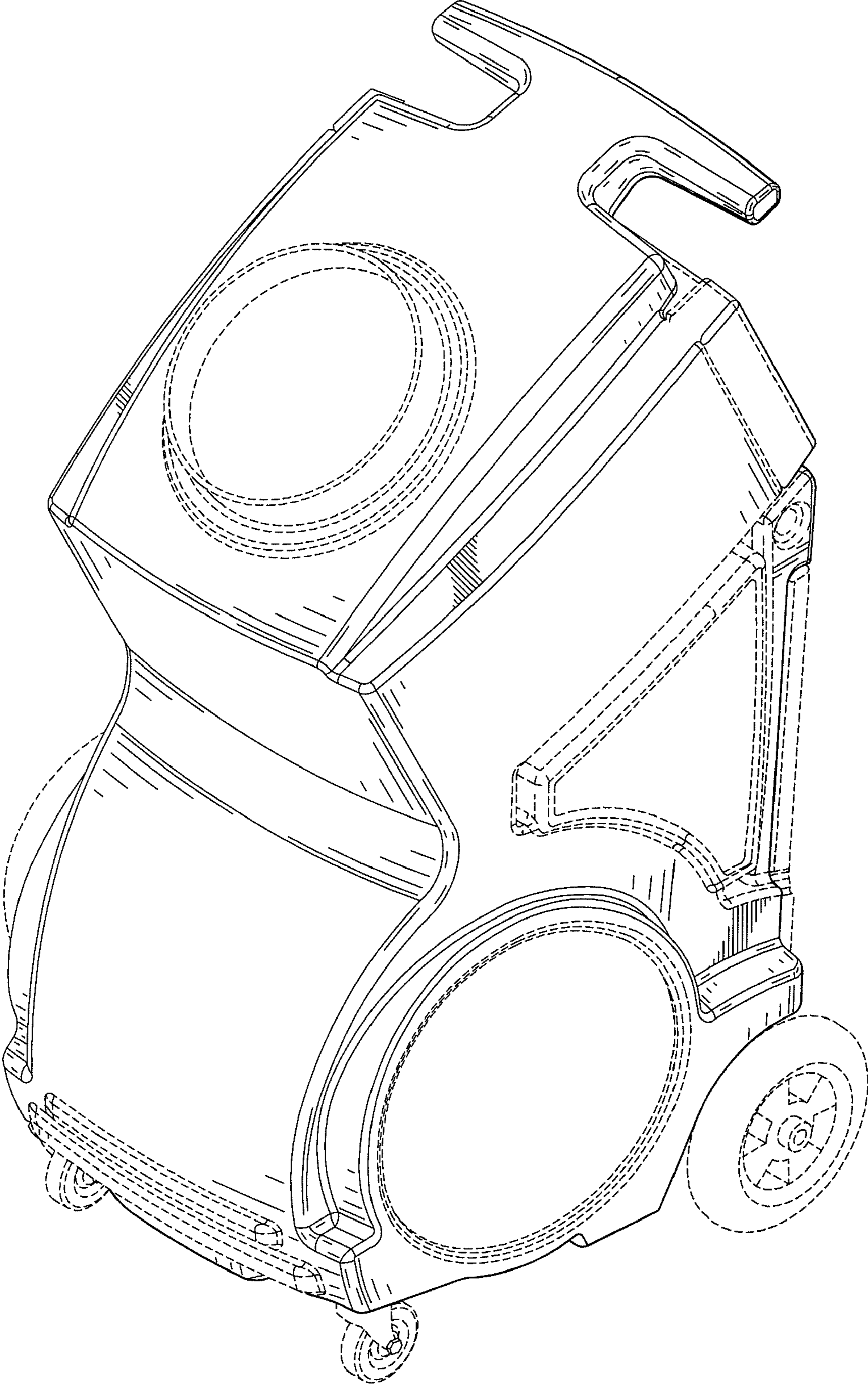


FIG. 1

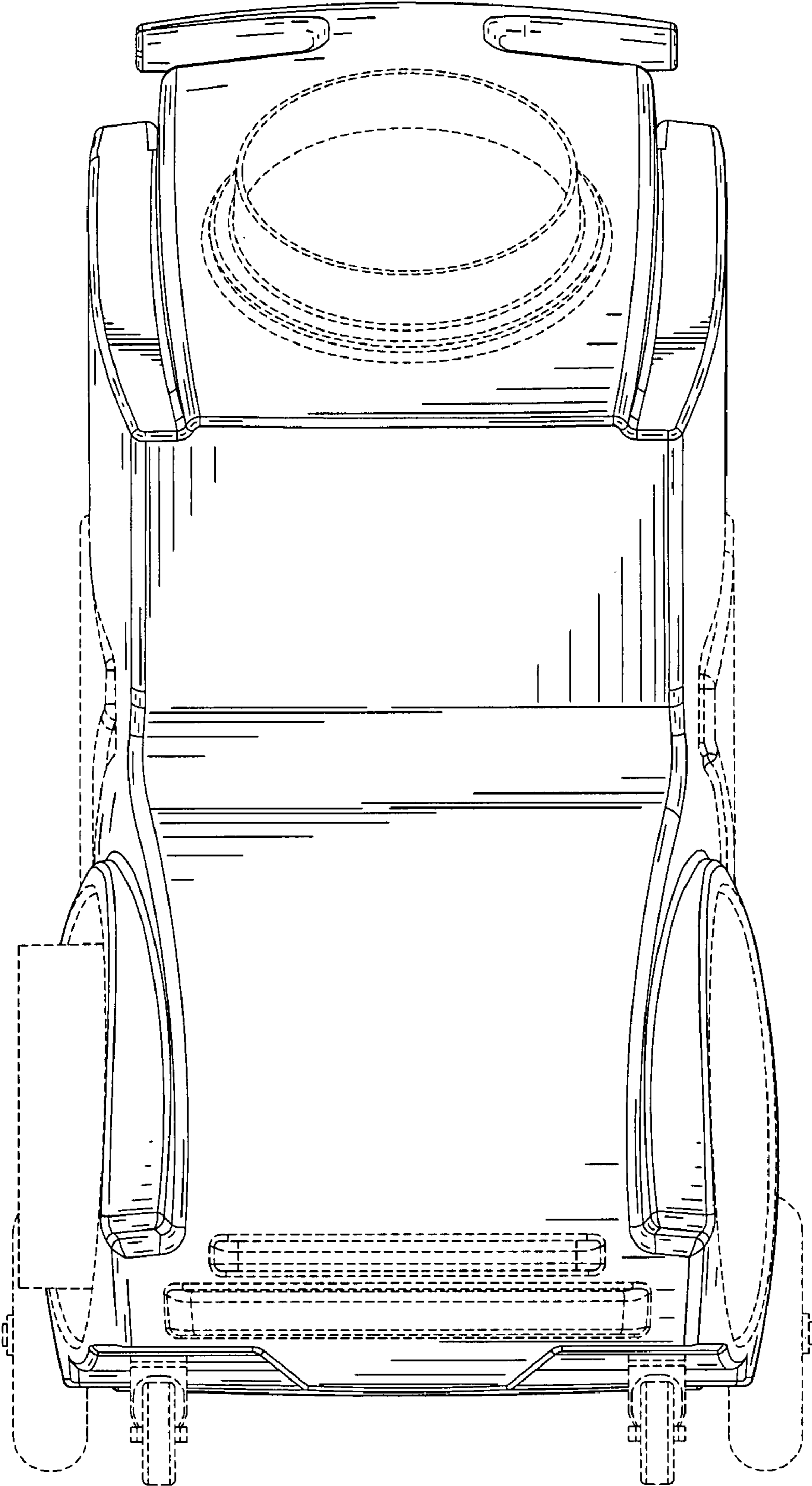


FIG. 2

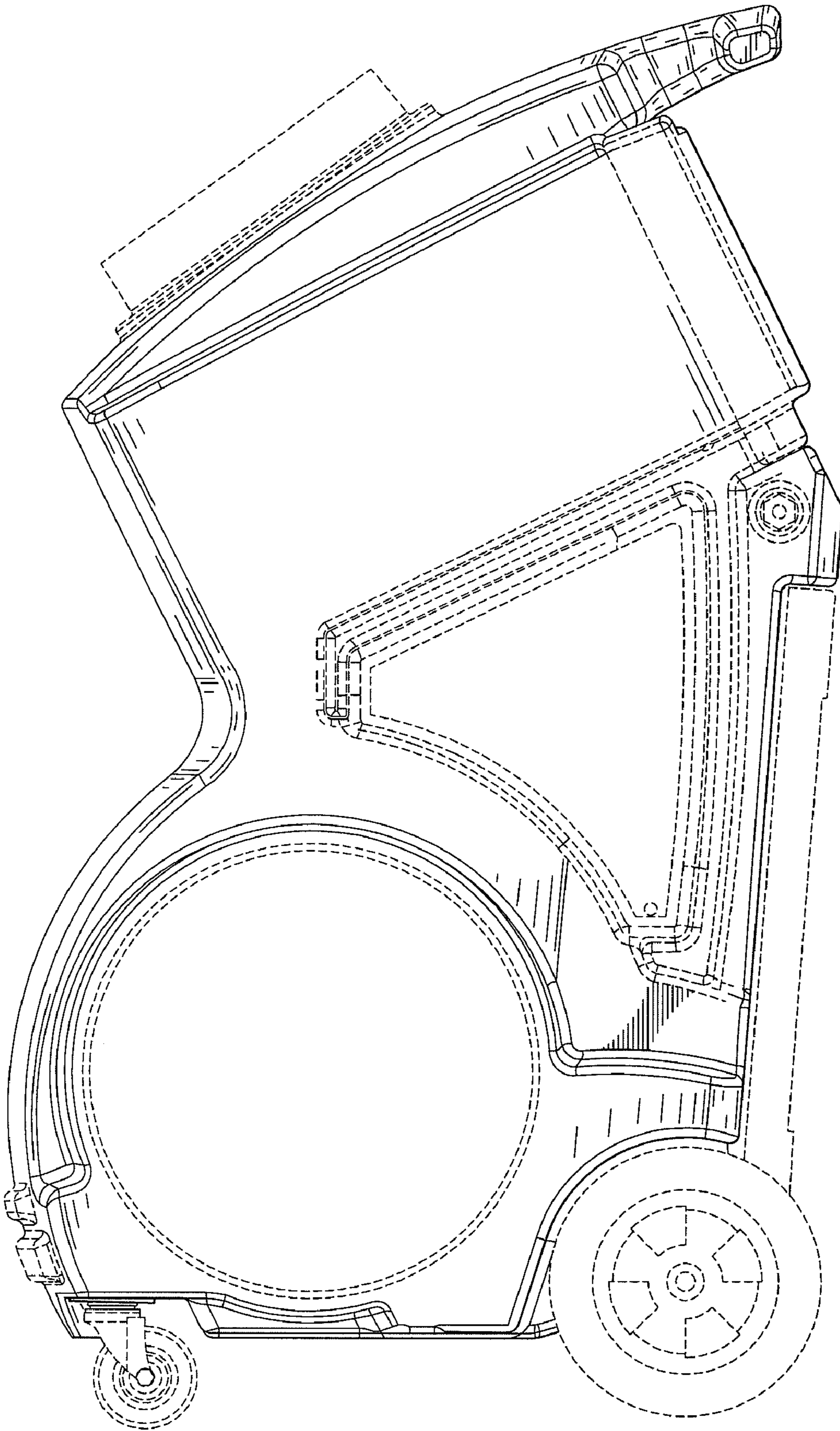


FIG. 3

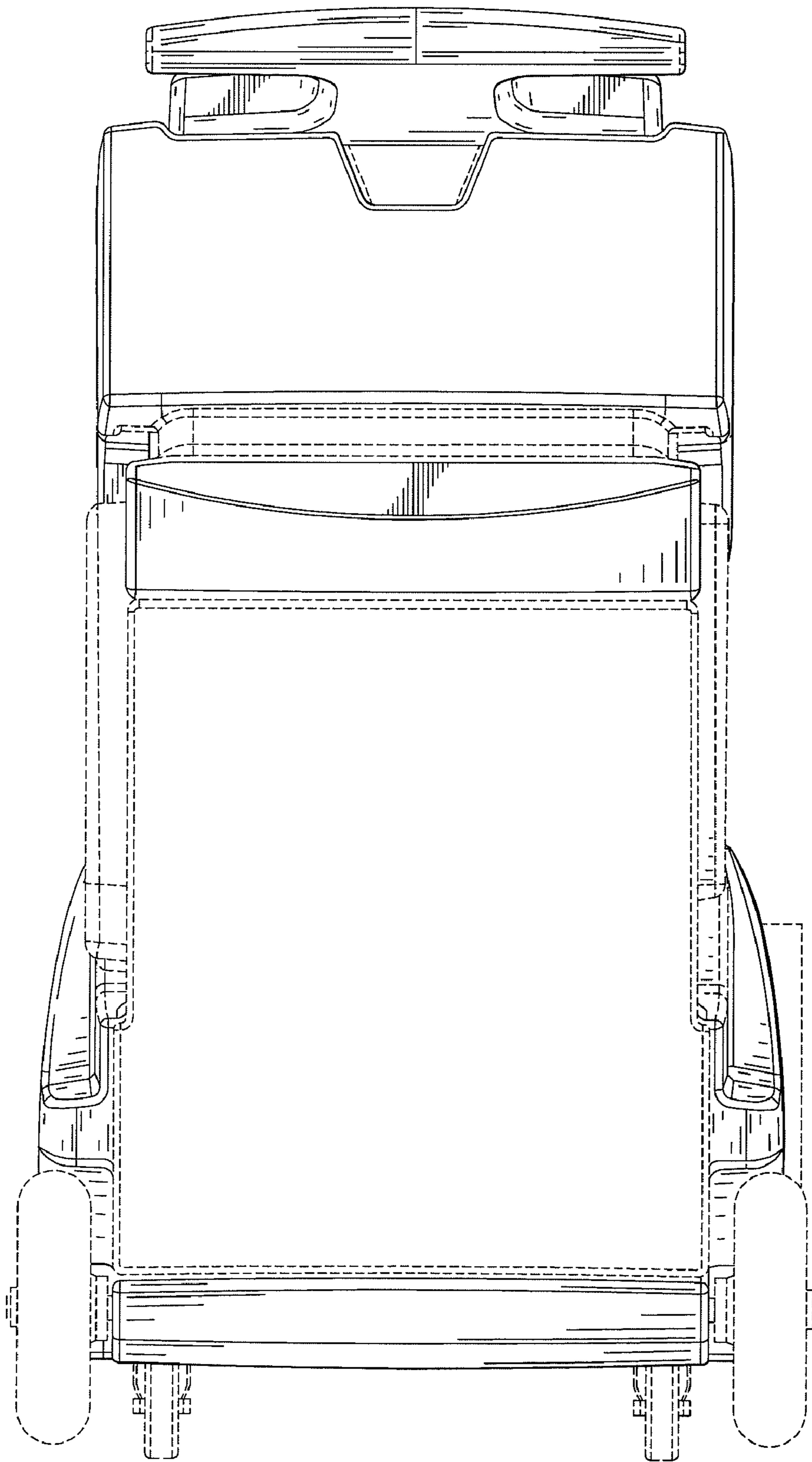


FIG. 4

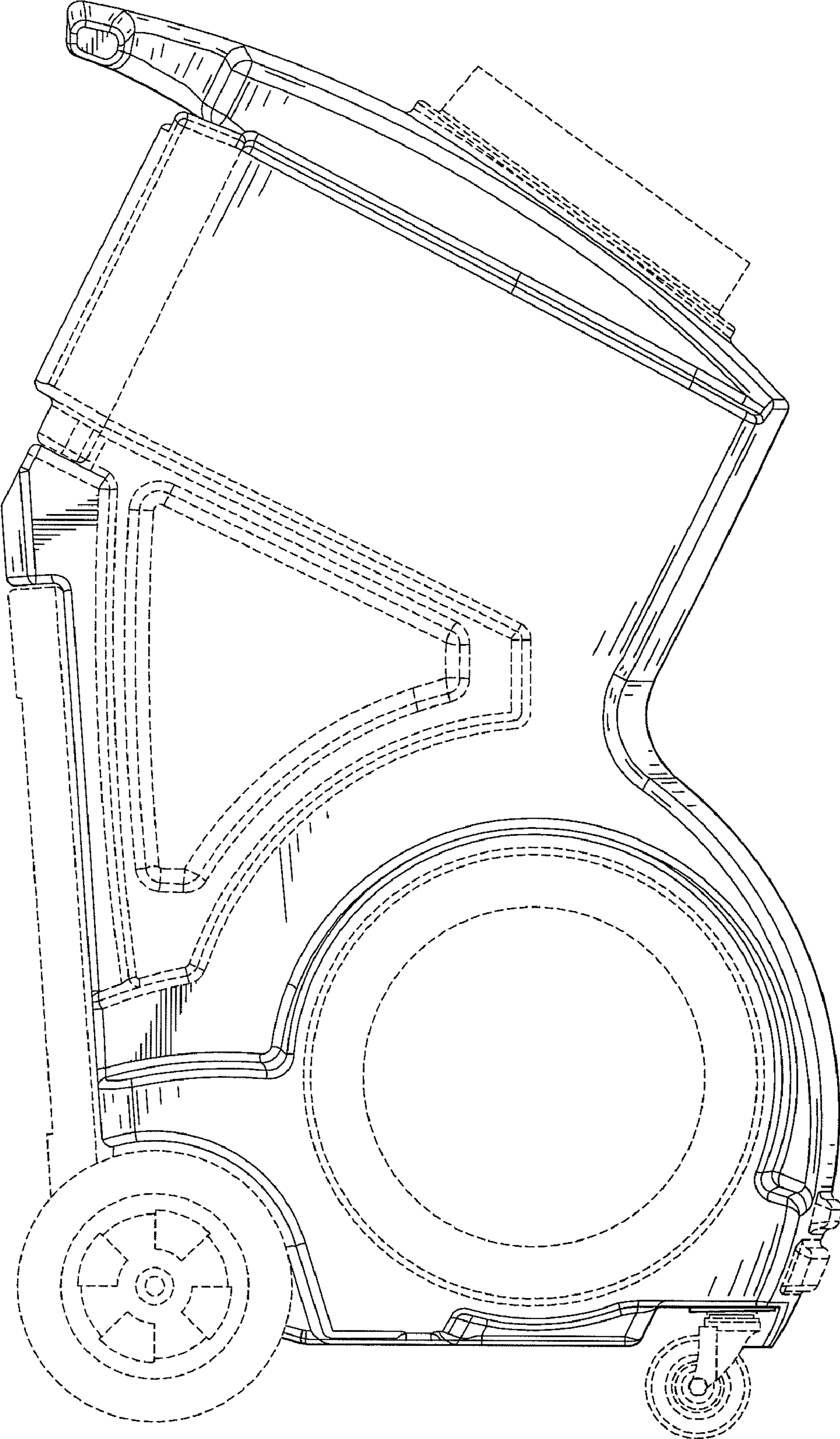


FIG. 5

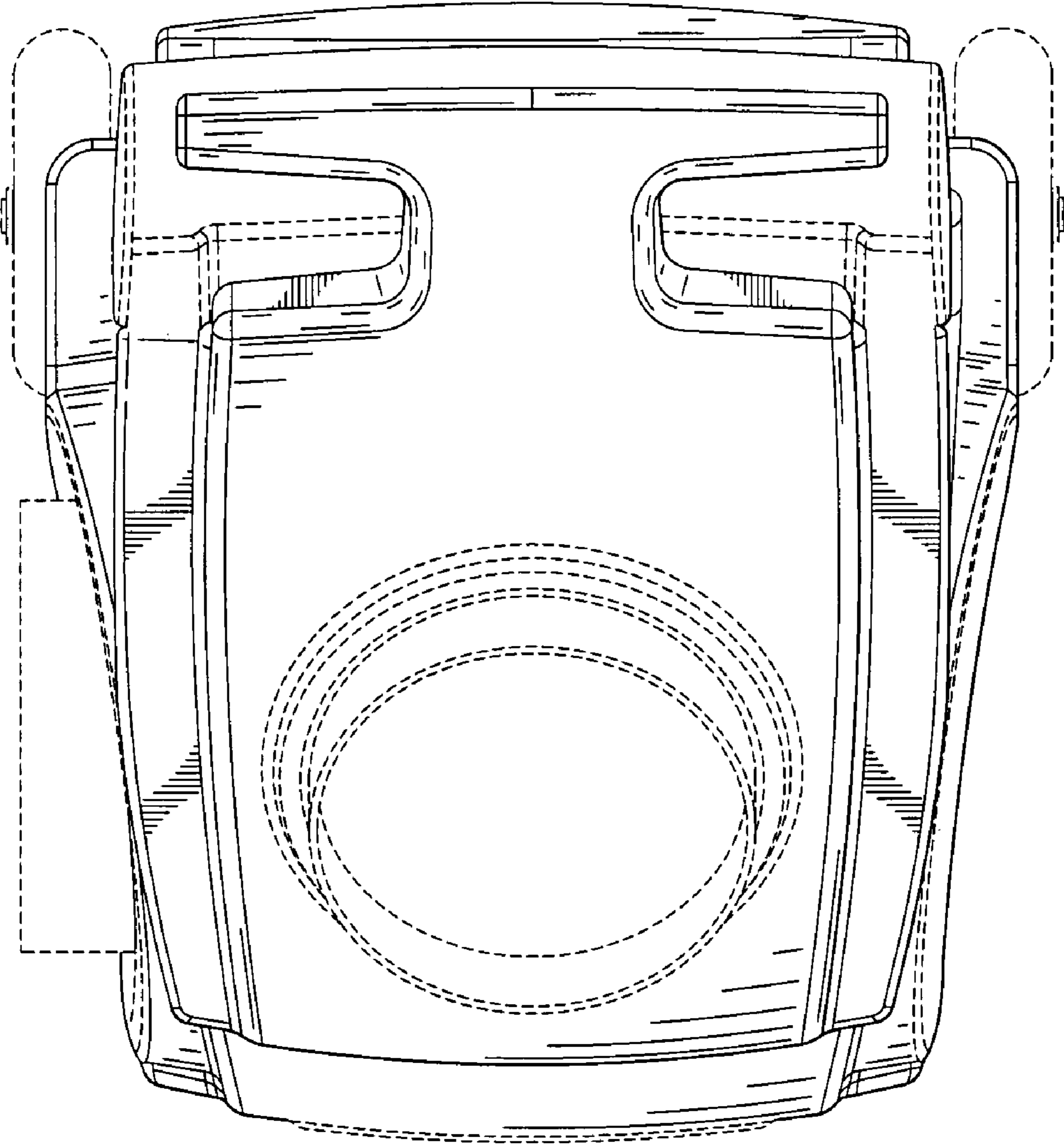


FIG. 6