



US00D572355S

(12) **United States Design Patent**
Gao

(10) **Patent No.:** **US D572,355 S**
(45) **Date of Patent:** **** Jul. 1, 2008**

(54) **HUMIDIFIER**

(76) **Inventor:** **Tianyu Gao**, Jinke Bldg., 8 Qiangyu Rd,
Science & Technology Park, Nanshan
Dist., Shenzhen (CN)

(**) **Term:** **14 Years**

(21) **Appl. No.:** **29/274,746**

(22) **Filed:** **May 21, 2007**

(30) **Foreign Application Priority Data**

Nov. 24, 2006 (CN) 2006 3 0154836

(51) **LOC (8) Cl.** **23-04**

(52) **U.S. Cl.** **D23/356**

(58) **Field of Classification Search** D23/356,
D23/355, 364, 359, 352, 362, 360, 332, 333,
D23/335, 336, 342; 422/120, 122; 55/356,
55/473, 504; 210/497.1; 96/97; D14/188,
D14/170, 172; 261/DIG. 65

See application file for complete search history.

(56) **References Cited**

U.S. PATENT DOCUMENTS

D408,511 S * 4/1999 Allen et al. D23/356
D413,661 S * 9/1999 Litvin et al. D23/356
D428,979 S * 8/2000 Cox et al. D23/356
D430,656 S * 9/2000 Farrage et al. D23/356

D431,641 S * 10/2000 Wilson, Jr. D23/356
D438,294 S * 2/2001 Krauss et al. D23/356
D438,296 S * 2/2001 Krauss D23/356
D449,676 S * 10/2001 Mulvaney et al. D23/356
D455,482 S * 4/2002 Krauss D23/356
D475,772 S * 6/2003 Birsdell et al. D23/356
D487,503 S * 3/2004 Huang D23/356
D500,847 S * 1/2005 Manke et al. D23/356
D548,314 S * 8/2007 Huang D23/356

* cited by examiner

Primary Examiner—Louis S Zarfaz

Assistant Examiner—David G Muller

(74) *Attorney, Agent, or Firm*—Birch, Stewart, Kolasch &
Birch, LLP

(57) **CLAIM**

The ornamental design for a humidifier, as shown and described.

DESCRIPTION

FIG. 1 is a front view of a humidifier showing my new design;

FIG. 2 is a rear view thereof;

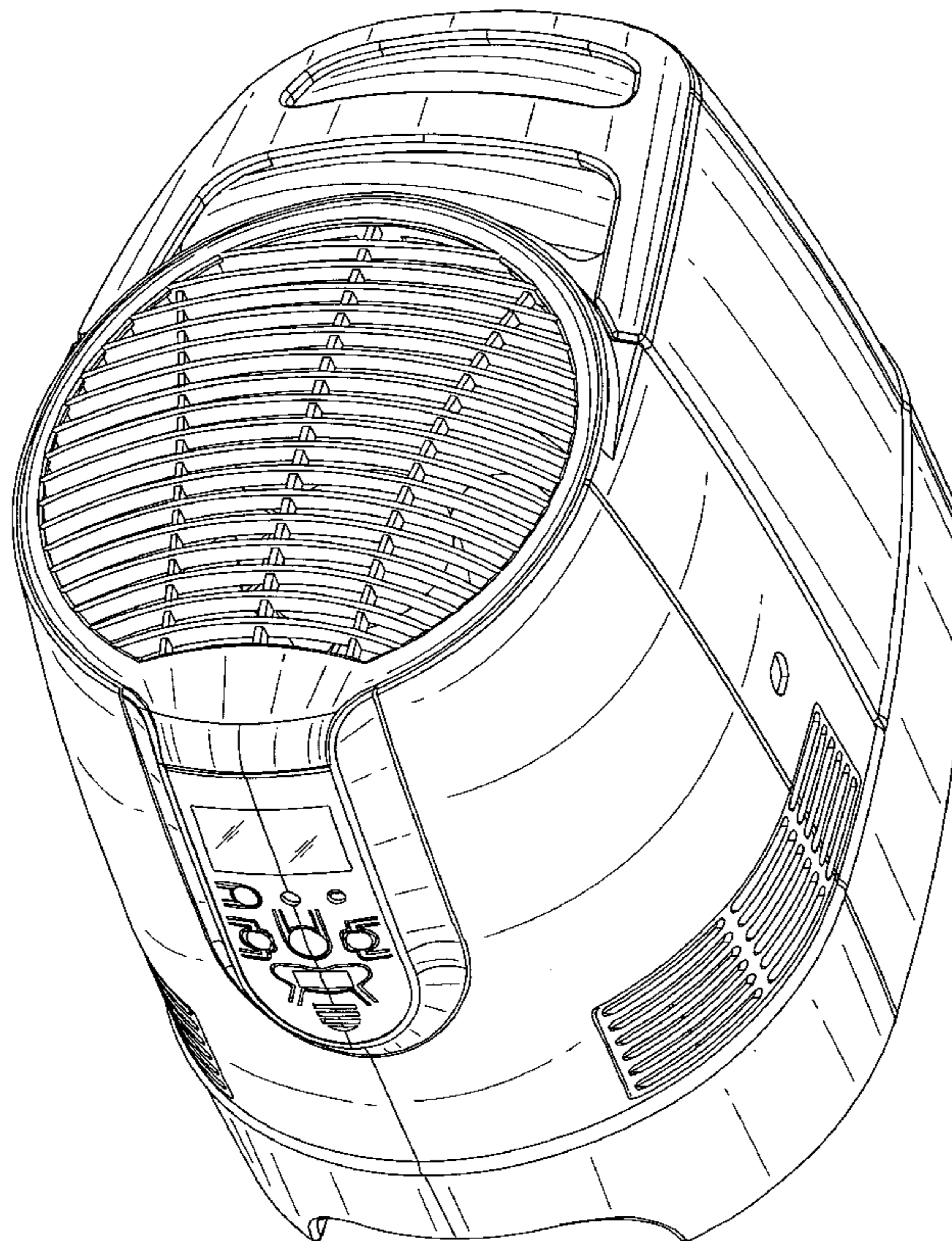
FIG. 3 is a right side view thereof;

FIG. 4 is a left side view thereof;

FIG. 5 is a top plan view thereof; and,

FIG. 6 is a top perspective view thereof.

1 Claim, 6 Drawing Sheets



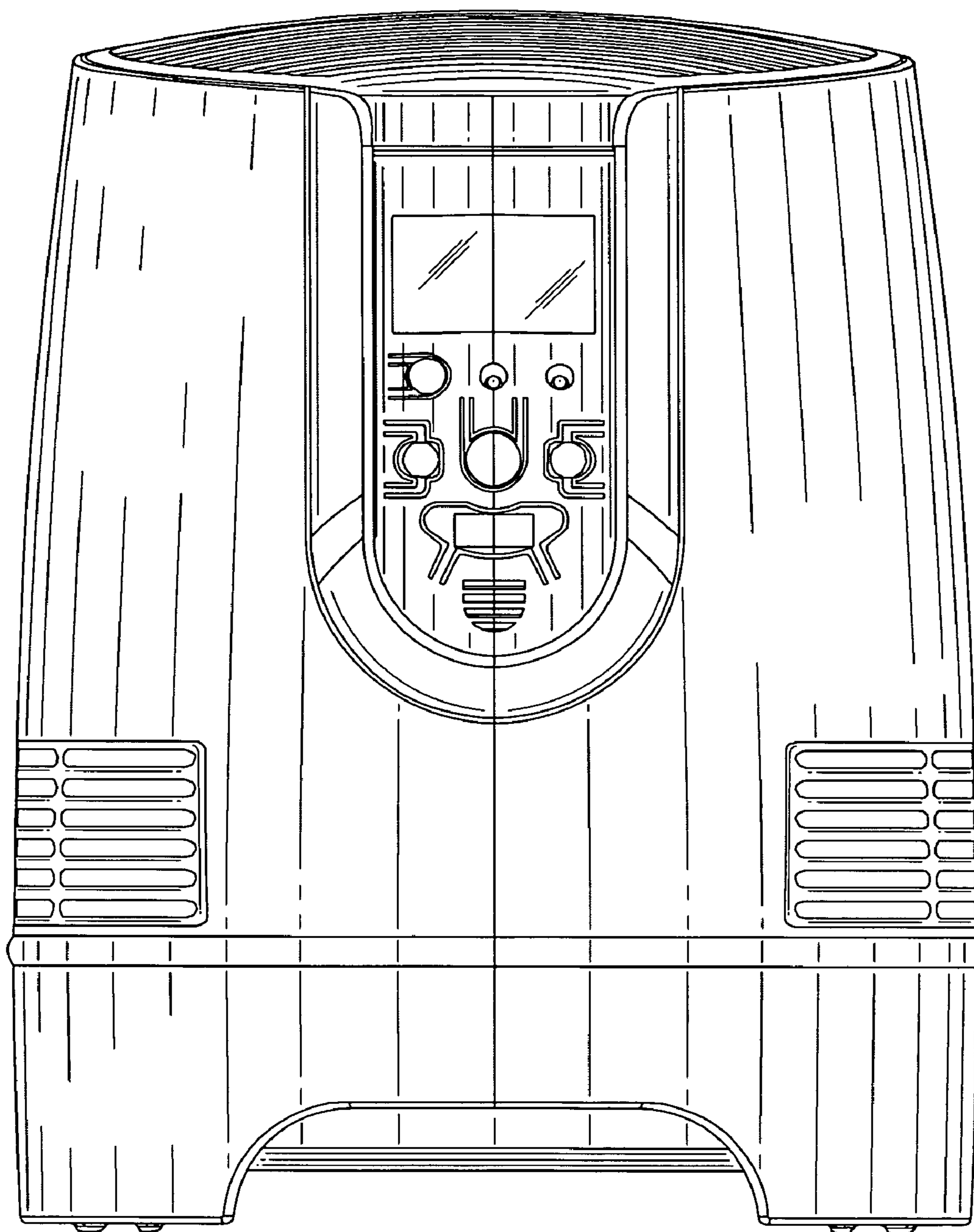


FIG. 1

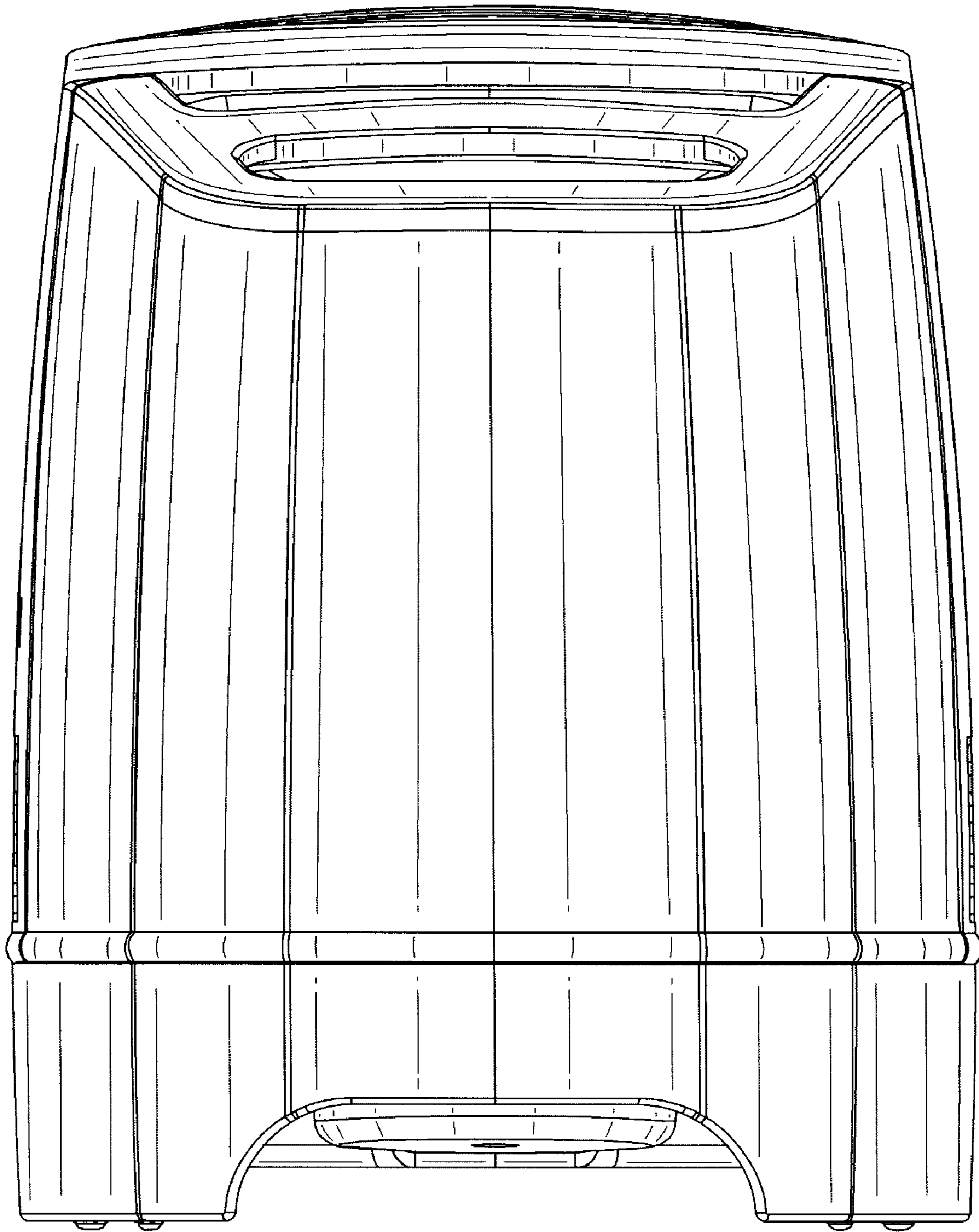
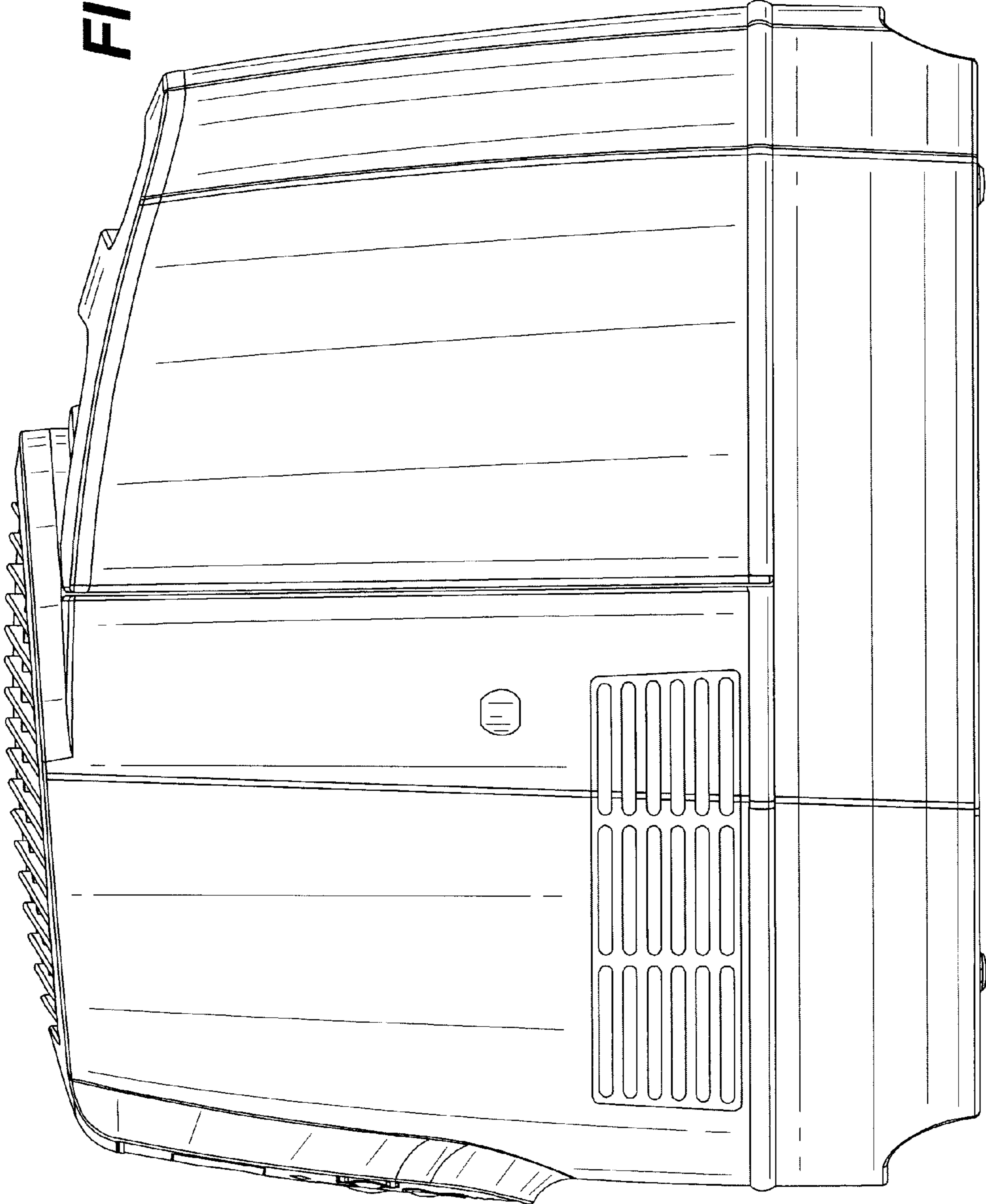


FIG. 2

FIG. 3



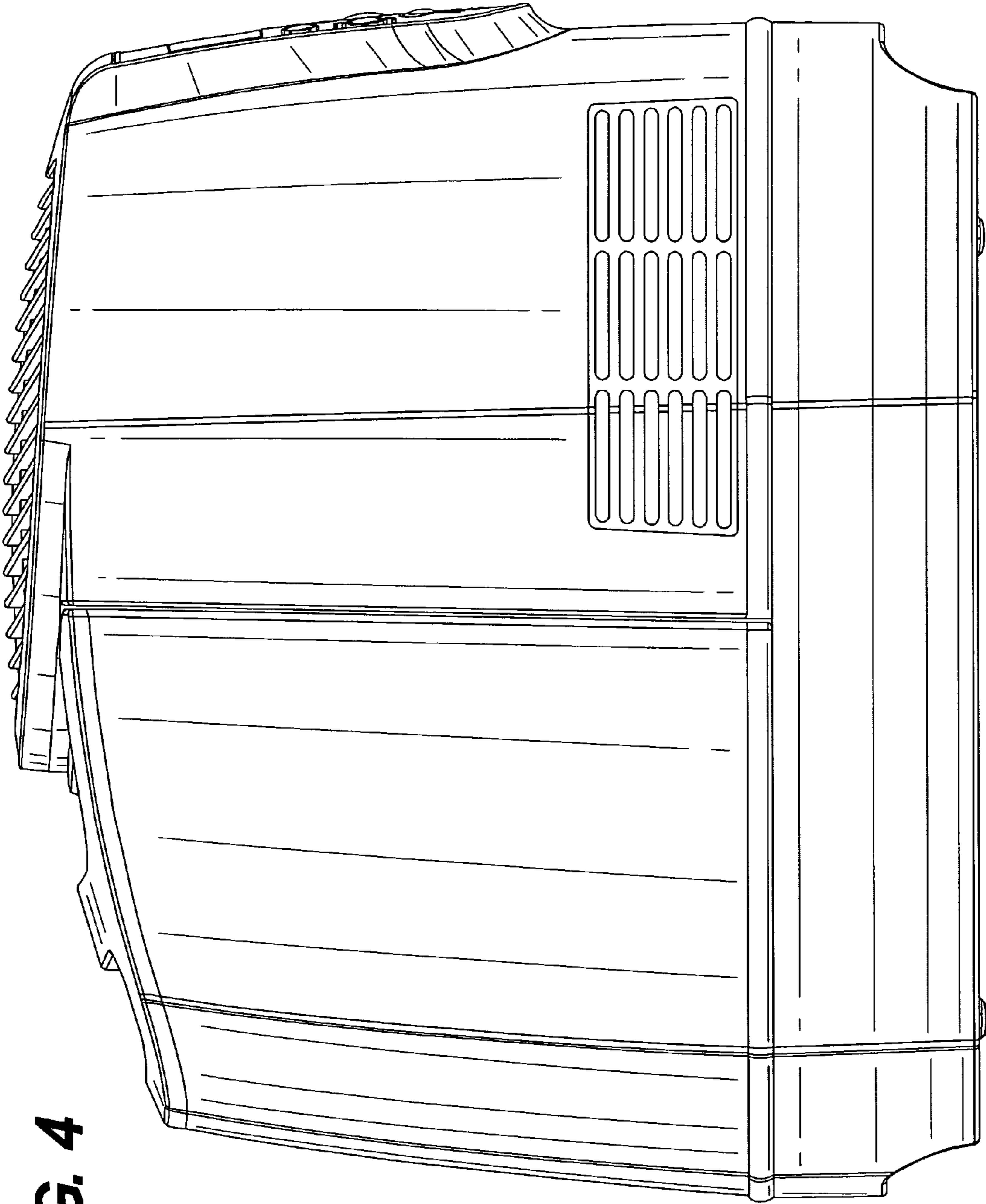


FIG. 4

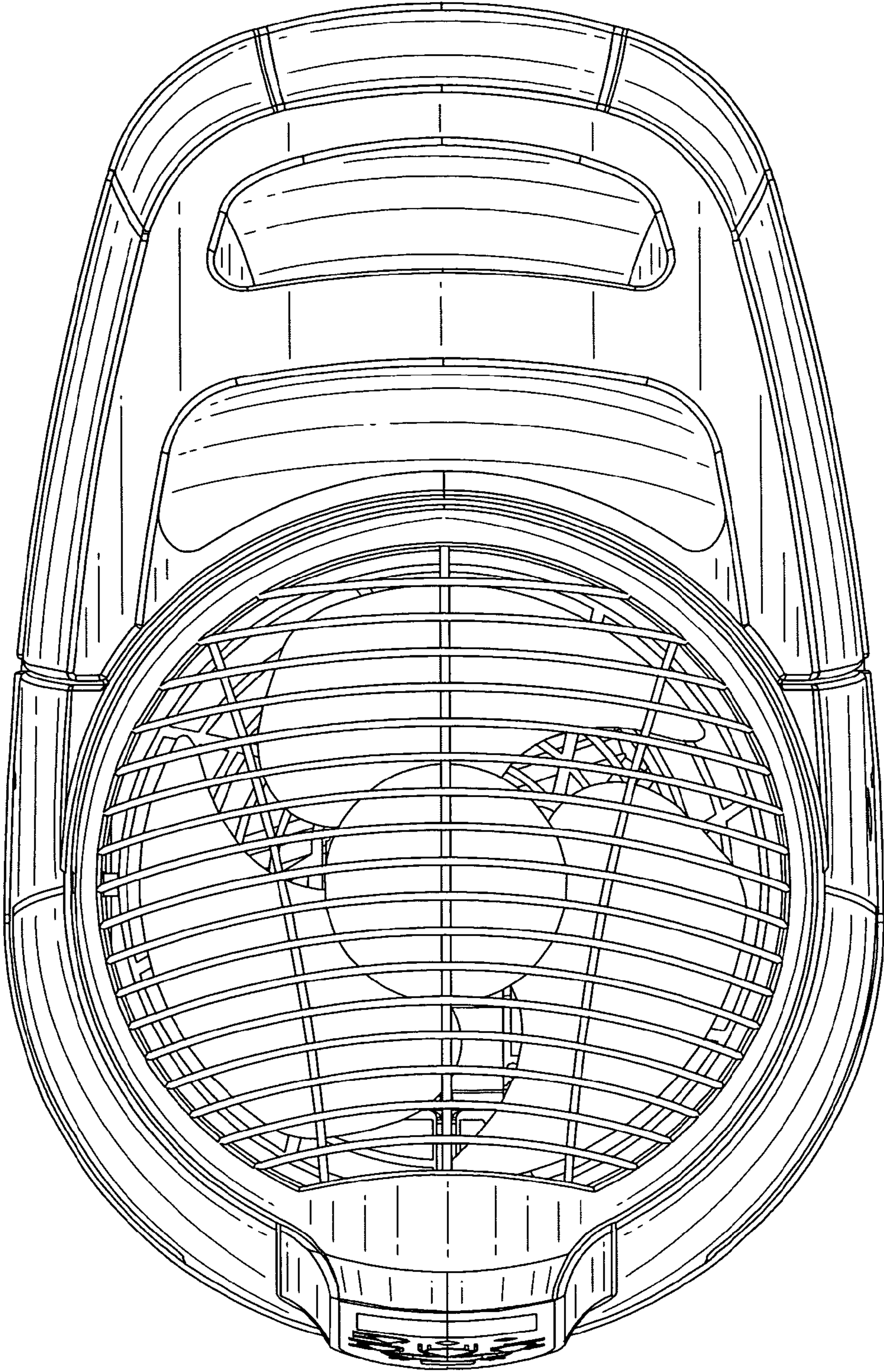


FIG. 5

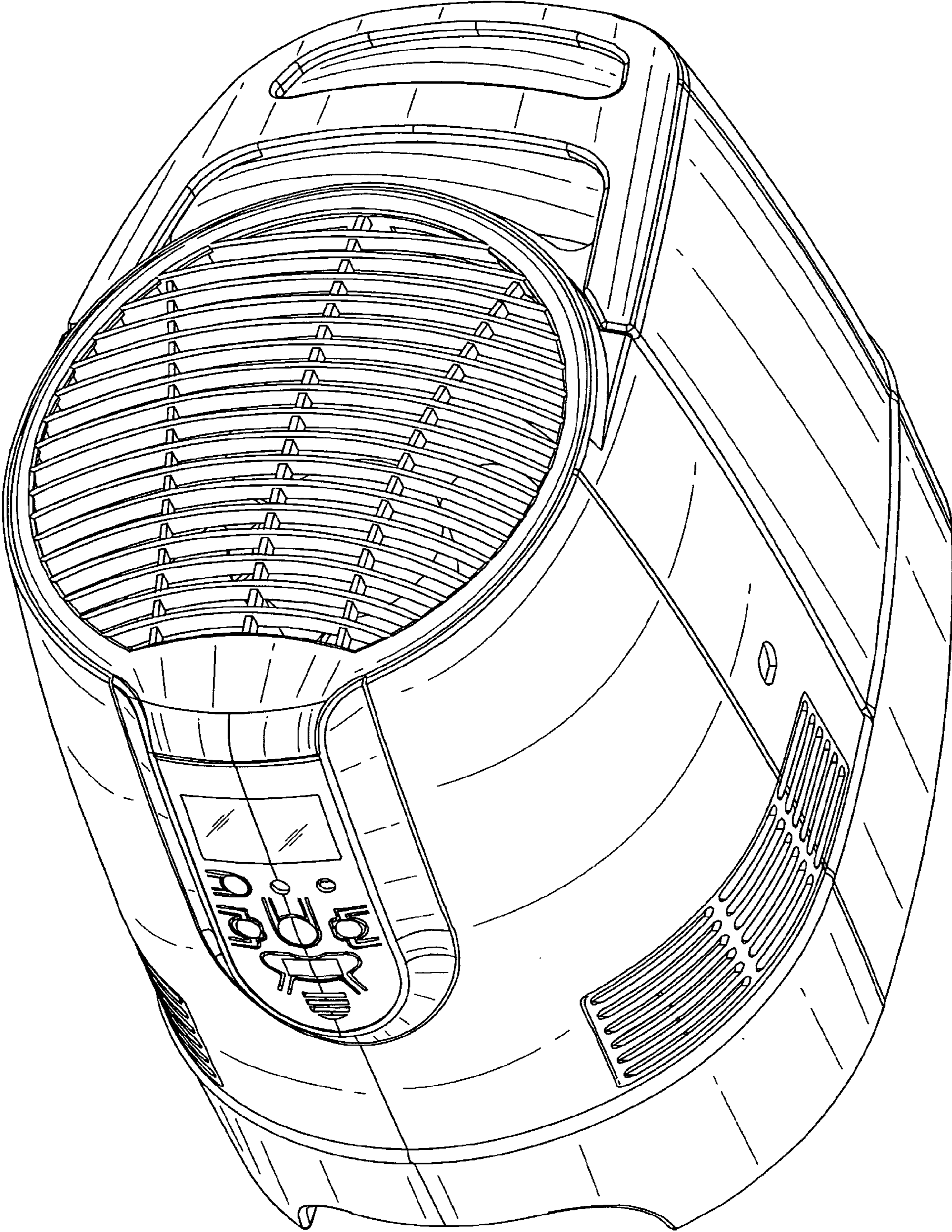


FIG. 6