



US00D572354S

(12) **United States Design Patent**
Tsuchiya et al.

(10) **Patent No.:** **US D572,354 S**
(45) **Date of Patent:** **** Jul. 1, 2008**

(54) **IONIZER**

(75) Inventors: **Gen Tsuchiya**, Tsukubamirai (JP);
Toshio Sato, Tsukubamirai (JP)

(73) Assignee: **SMC Corporation**, Chiyoda-ku, Tokyo
(JP)

(**) Term: **14 Years**

(21) Appl. No.: **29/293,755**

(22) Filed: **Dec. 11, 2007**

(30) **Foreign Application Priority Data**

Jun. 14, 2007 (JP) 2007-015879

(51) **LOC (8) Cl.** **23-04**

(52) **U.S. Cl.** **D23/355**

(58) **Field of Classification Search** D23/355,
D23/364, 356, 359, 360, 362, 352, 366, 369,
D23/332, 333, 335, 336, 342, 351; 422/120,
422/122; 55/356, 473, 504; 96/63; D14/188,
D14/170, 172; 261/DIG. 17, DIG. 65, DIG. 88,
261/DIG. 31

See application file for complete search history.

(56) **References Cited**

U.S. PATENT DOCUMENTS

D310,528 S * 9/1990 Yamamoto et al. D14/188
D310,669 S * 9/1990 Sogabe D14/188
D464,414 S * 10/2002 Sekoguchi et al. D23/355
D472,625 S * 4/2003 Sekoguchi et al. D23/355
D475,988 S * 6/2003 Otani et al. D14/188

D483,348 S * 12/2003 Nishii et al. D14/188
D513,070 S * 12/2005 Haranaka D23/355
D518,815 S * 4/2006 Otani D14/188
D550,172 S * 9/2007 Aguilar et al. D14/188
D550,340 S * 9/2007 Sato et al. D23/355
D556,734 S * 12/2007 Otani D14/188
D562,958 S * 2/2008 Feriani et al. D23/366
D563,943 S * 3/2008 Watanabe D14/188

* cited by examiner

Primary Examiner—Louis S Zarfaz

Assistant Examiner—David G Muller

(74) *Attorney, Agent, or Firm*—Peter Ganjian

(57) **CLAIM**

The ornamental design for an ionizer, as shown and described.

DESCRIPTION

FIG. 1 shows a front view of an ionizer showing my new design;

FIG. 2 shows a rear view thereof;

FIG. 3 shows a top view thereof;

FIG. 4 shows a bottom view thereof;

FIG. 5 shows a left side view thereof;

FIG. 6 shows a right side view thereof;

FIG. 7 shows a top, front and left side perspective view thereof; and,

FIG. 8 shows a bottom, rear and right side perspective view thereof.

1 Claim, 4 Drawing Sheets

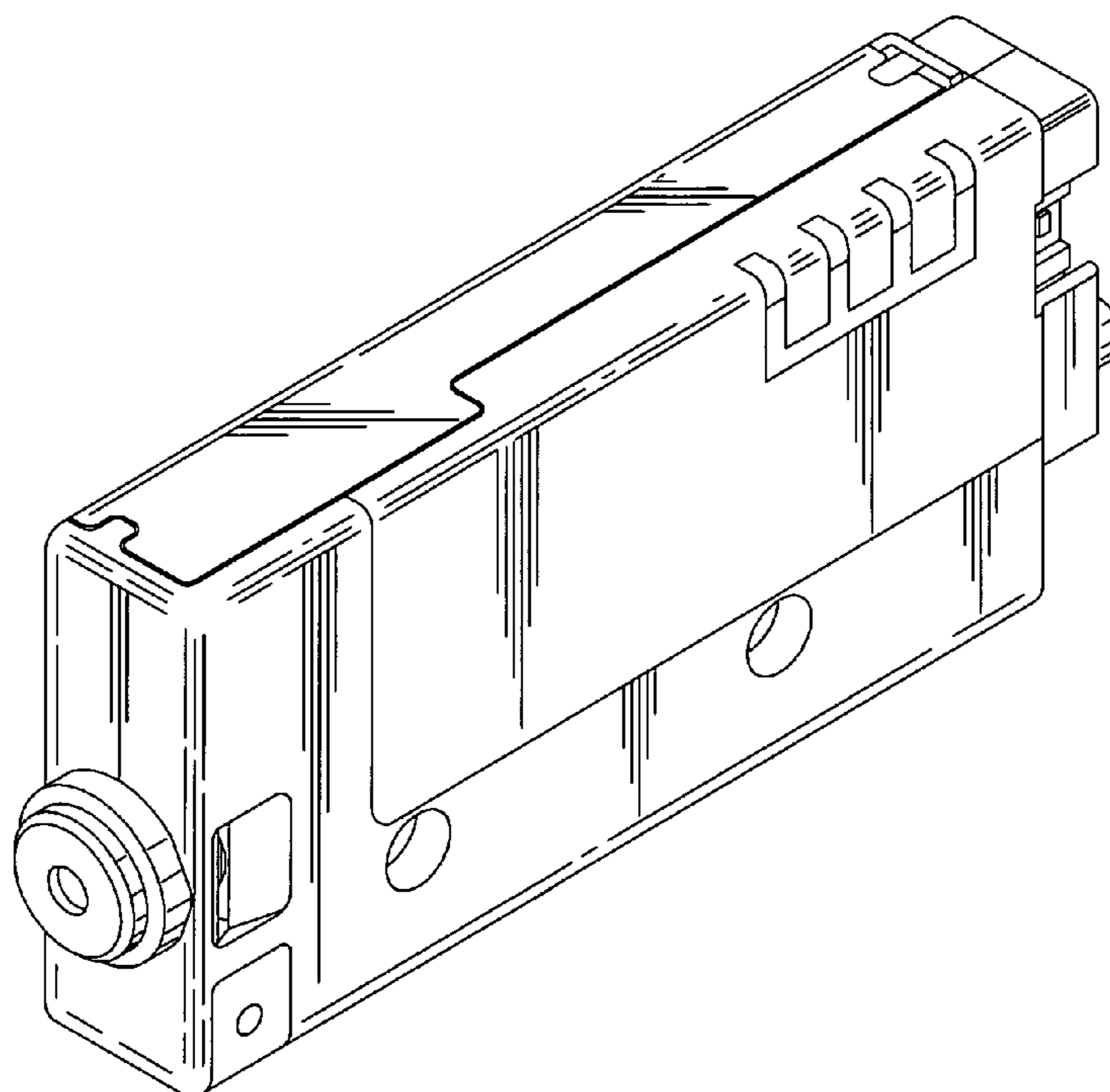


FIG. 1

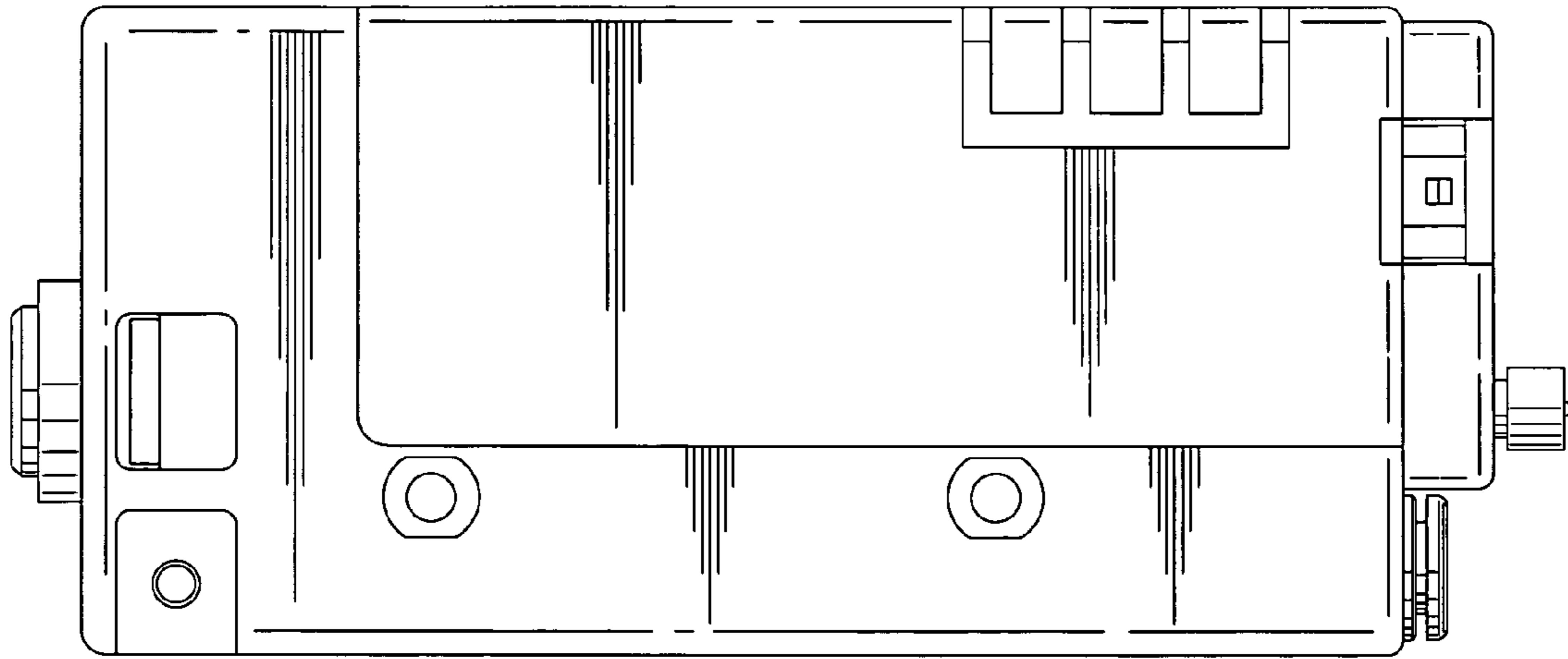


FIG. 2

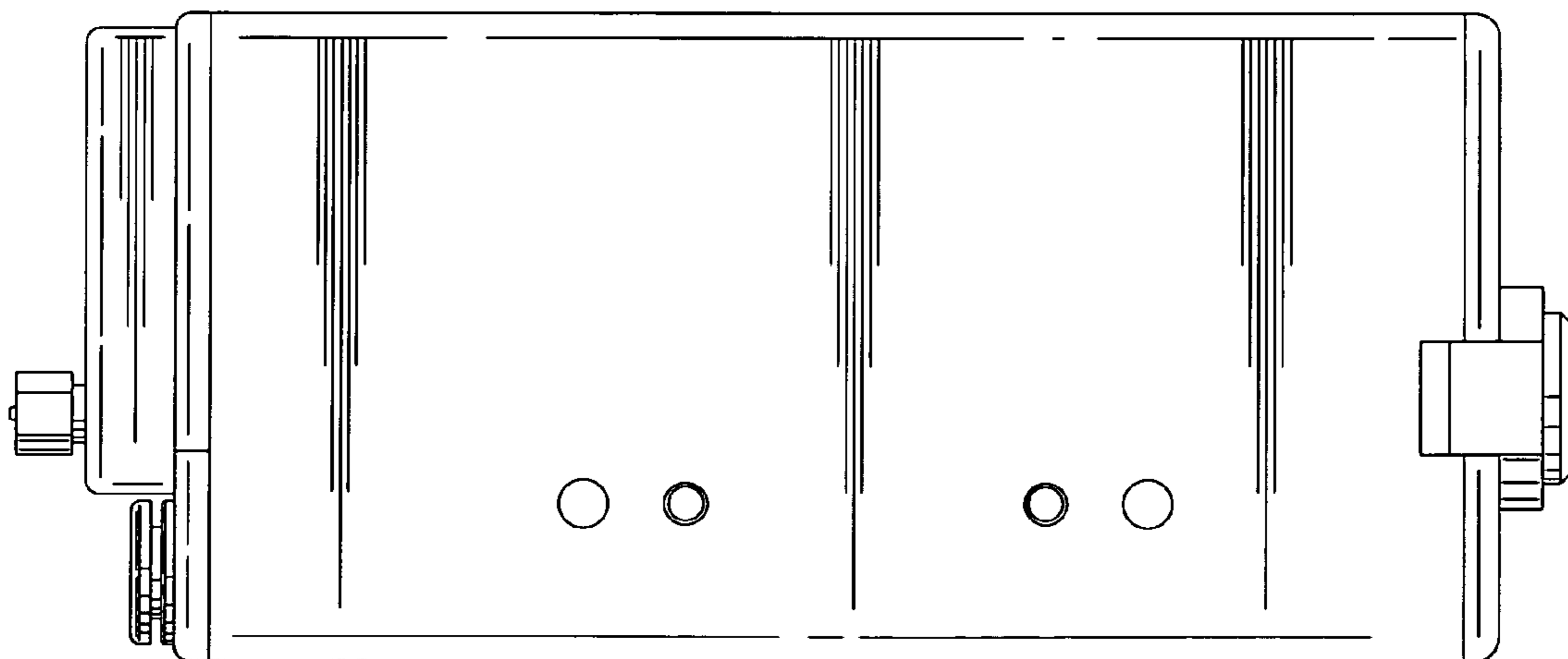


FIG. 3

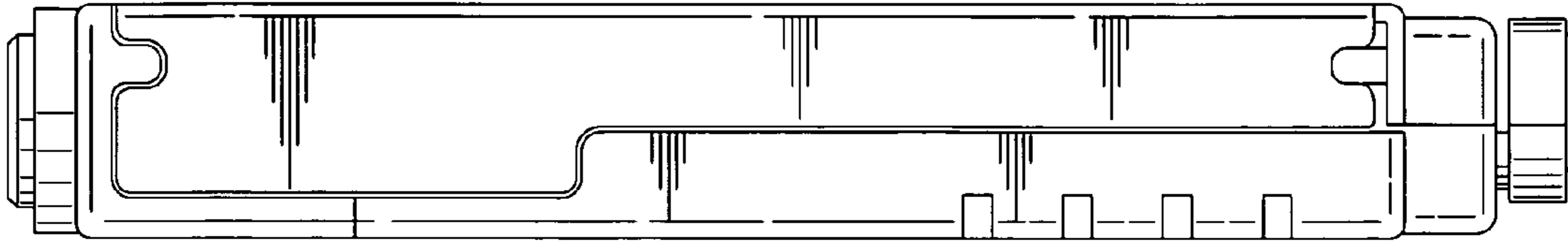


FIG. 4

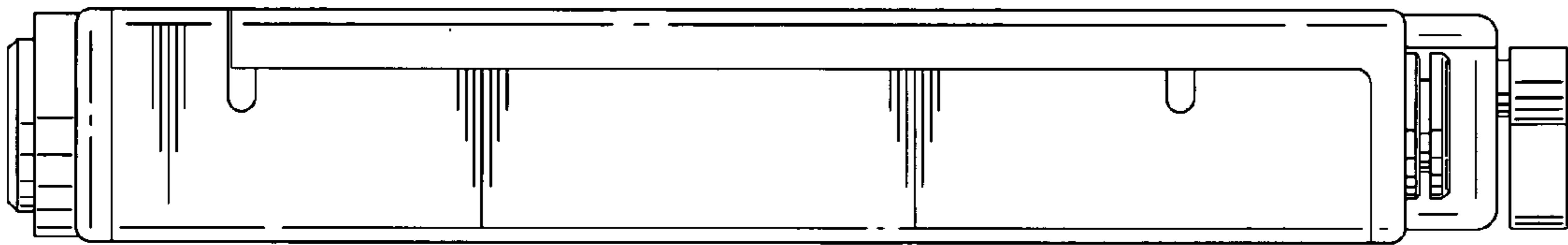


FIG. 5

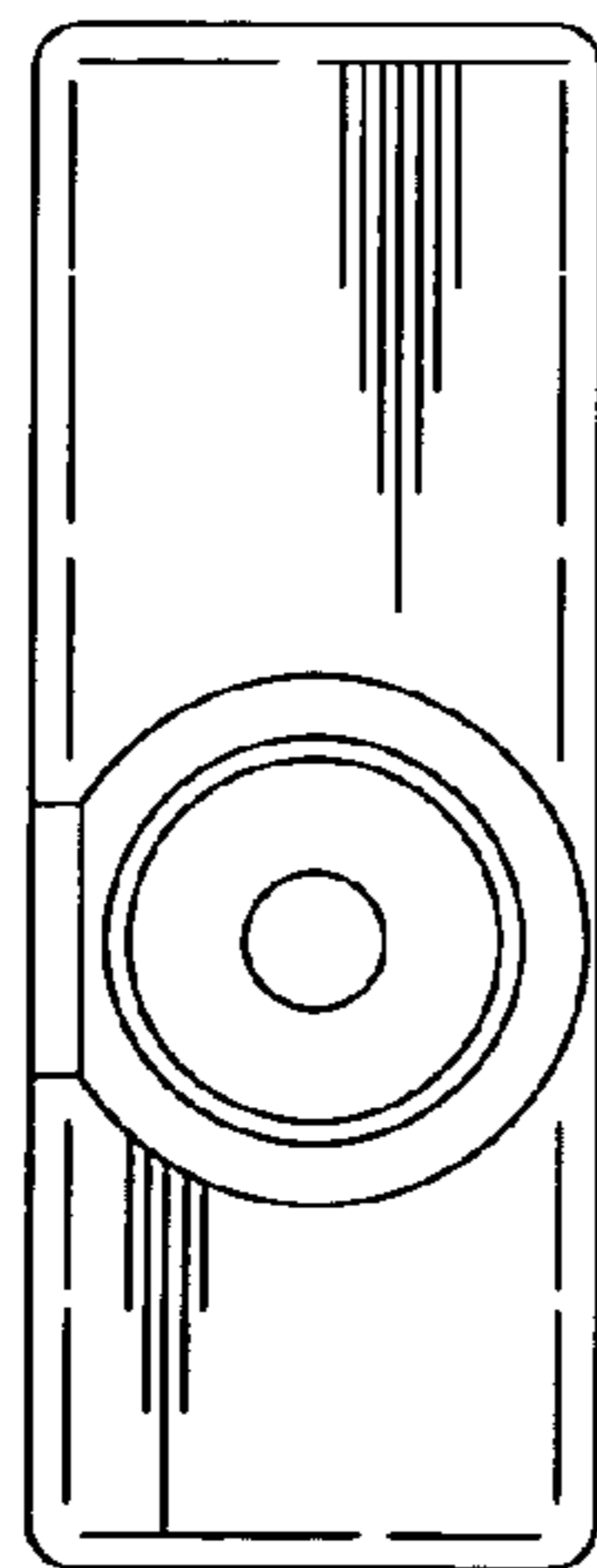


FIG. 6

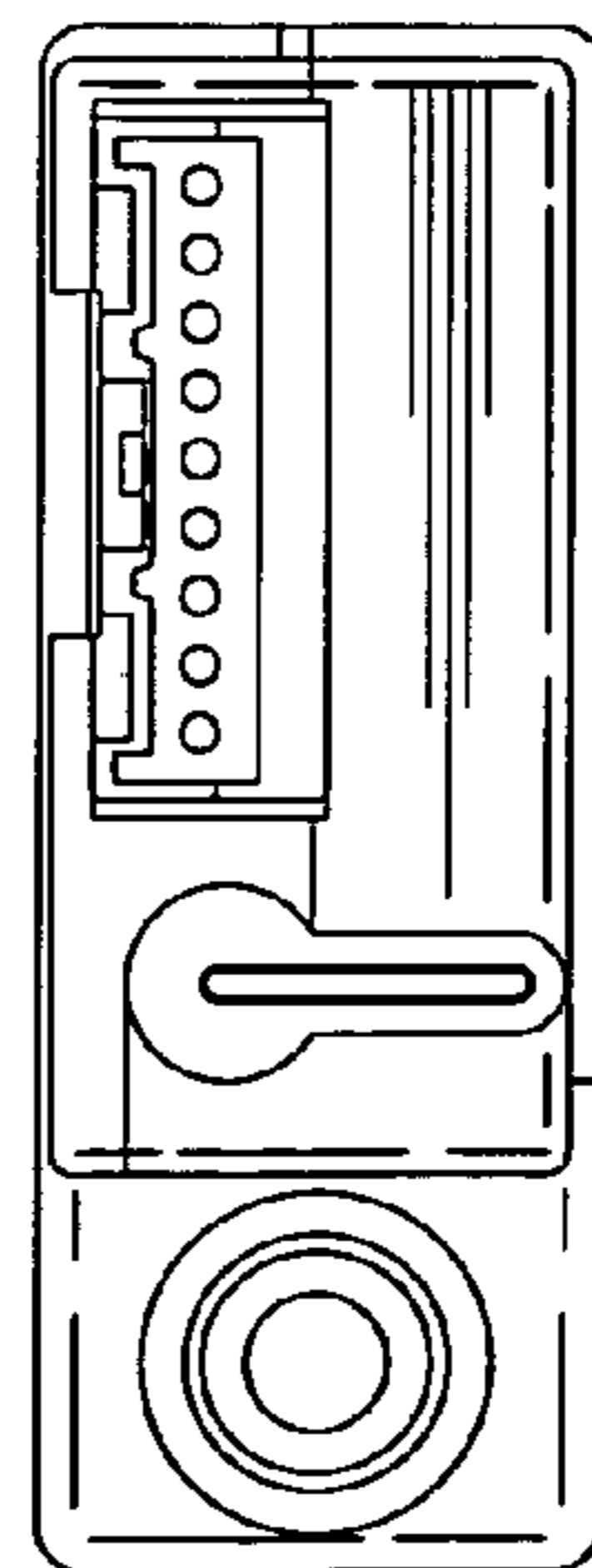


FIG. 7

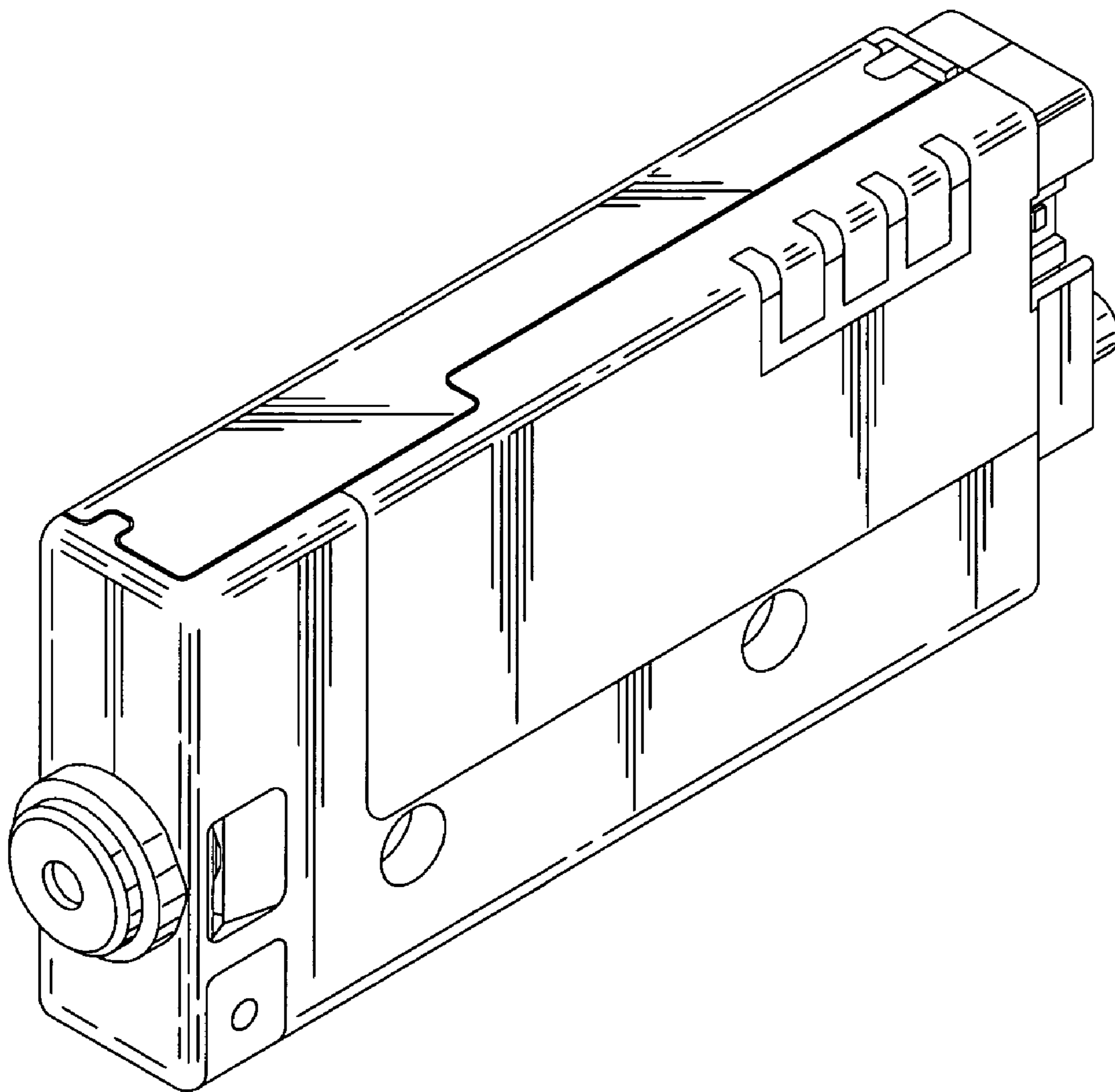


FIG. 8

