



US00D572351S

(12) **United States Design Patent**
Lewis

(10) **Patent No.:** **US D572,351 S**
(45) **Date of Patent:** **** Jul. 1, 2008**

(54) **BODY FOR A PORTABLE HEATER**

(75) Inventor: **William Lewis**, Denver, PA (US)

(73) Assignee: **Lasko Holdings, Inc.**, Wilmington, DE (US)

(**) Term: **14 Years**

(21) Appl. No.: **29/294,198**

(22) Filed: **Dec. 27, 2007**

(51) **LOC (8) Cl.** **23-03**

(52) **U.S. Cl.** **D23/317; D23/332**

(58) **Field of Classification Search** D23/314,
D23/317, 332, 342, 333, 334, 335, 337, 351,
D23/355, 378, 370, 387, 364, 336, 341, 383;
237/56, 67, 61, 62; 416/244 R, 247 R, 53.1,
416/53.2, 53.3; 392/365, 367, 347, 350,
392/373, 407, 433, 78 A

See application file for complete search history.

(56) **References Cited**

U.S. PATENT DOCUMENTS

D191,086 S *	8/1961	Wahlstrom	D23/335
D306,342 S *	2/1990	Lane	D23/332
D348,725 S *	7/1994	Wortham	D23/335
D394,100 S *	5/1998	Promseeda	D23/364
6,965,731 B2 *	11/2005	Huang et al.	392/373
D514,674 S *	2/2006	Blateri	D23/335

D521,135 S *	5/2006	Kita	D23/364
D543,266 S *	5/2007	Chen	D23/364
D549,307 S *	8/2007	Chiu	D23/333
D564,645 S *	3/2008	Shapiro	D23/317

* cited by examiner

Primary Examiner—Robert M. Spear

Assistant Examiner—Ania K Dworzecka

(74) *Attorney, Agent, or Firm*—Martin Fruitman

(57) **CLAIM**

The ornamental design of a body for a portable heater, as shown and described.

DESCRIPTION

FIG. 1 is a right side front perspective view of a body for a portable heater showing my new design;

FIG. 2 is a rear perspective view thereof;

FIG. 3 is a front elevation view thereof;

FIG. 4 is a right side elevation view thereof;

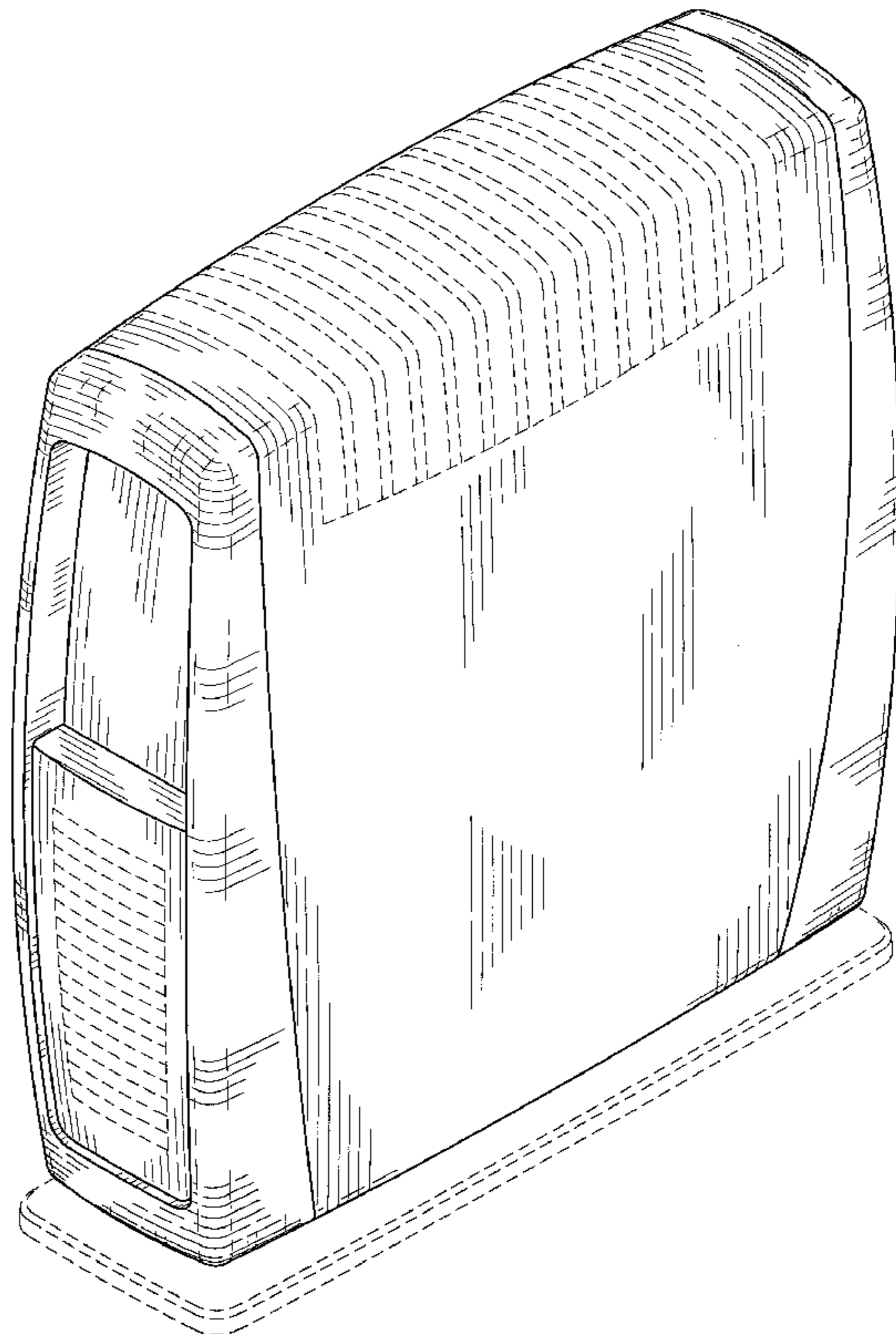
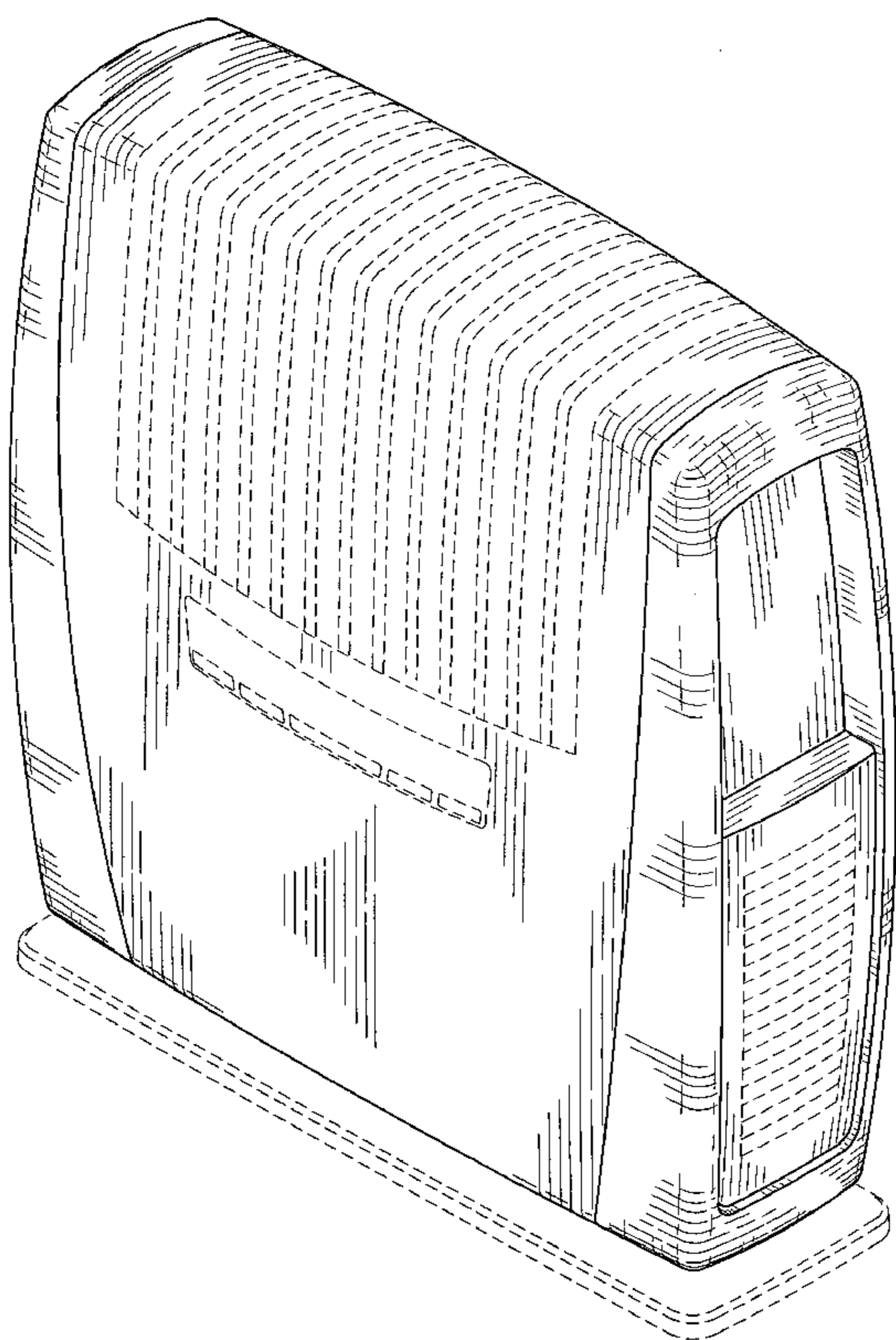
FIG. 5 is a left side elevation view thereof;

FIG. 6 is a rear elevation view thereof; and,

FIG. 7 is a top plan view thereof.

The broken line showing of environmental structure in FIGS. 1–7 is for illustrative purposes only and forms no part of the claimed design.

1 Claim, 7 Drawing Sheets



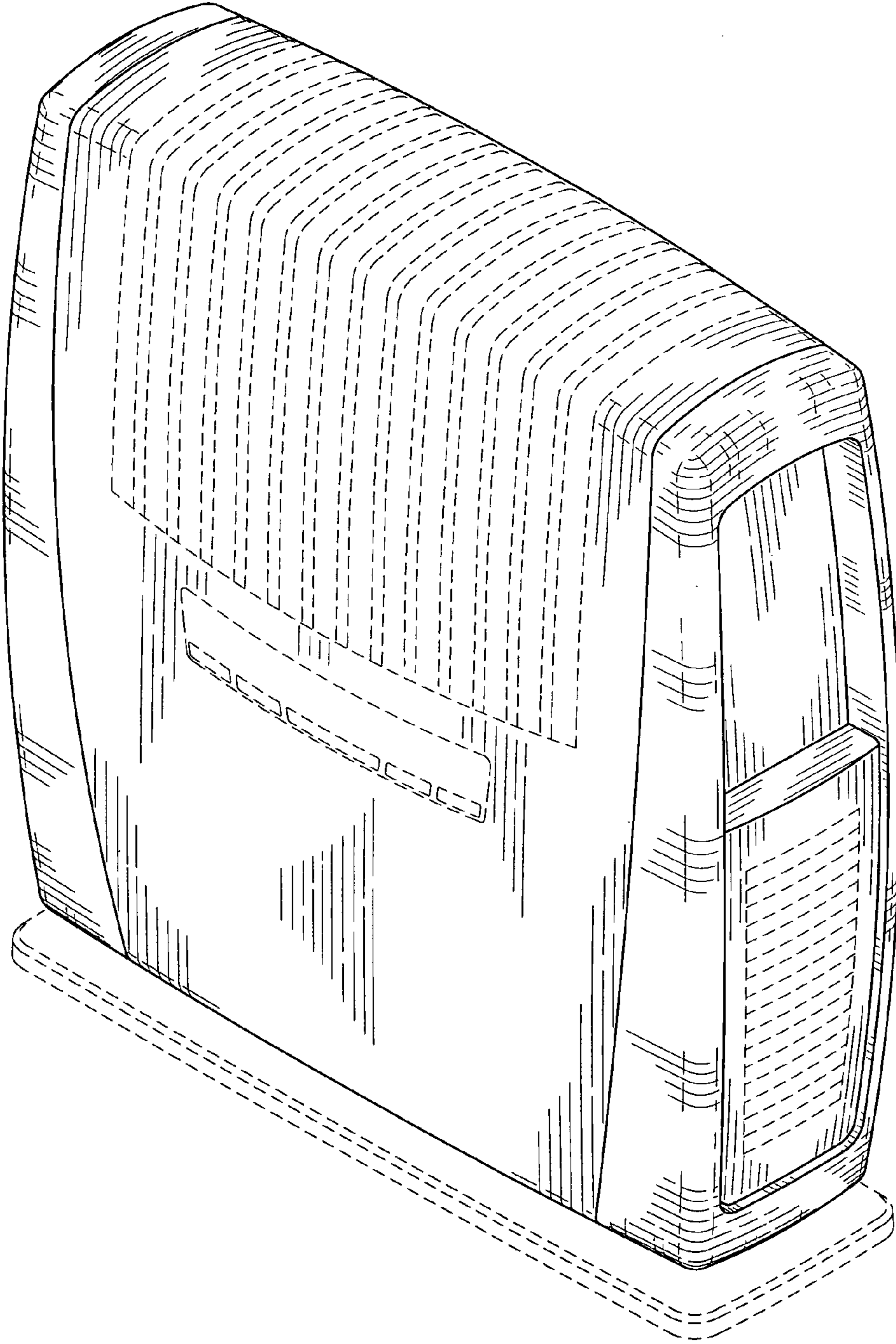


FIG. 1

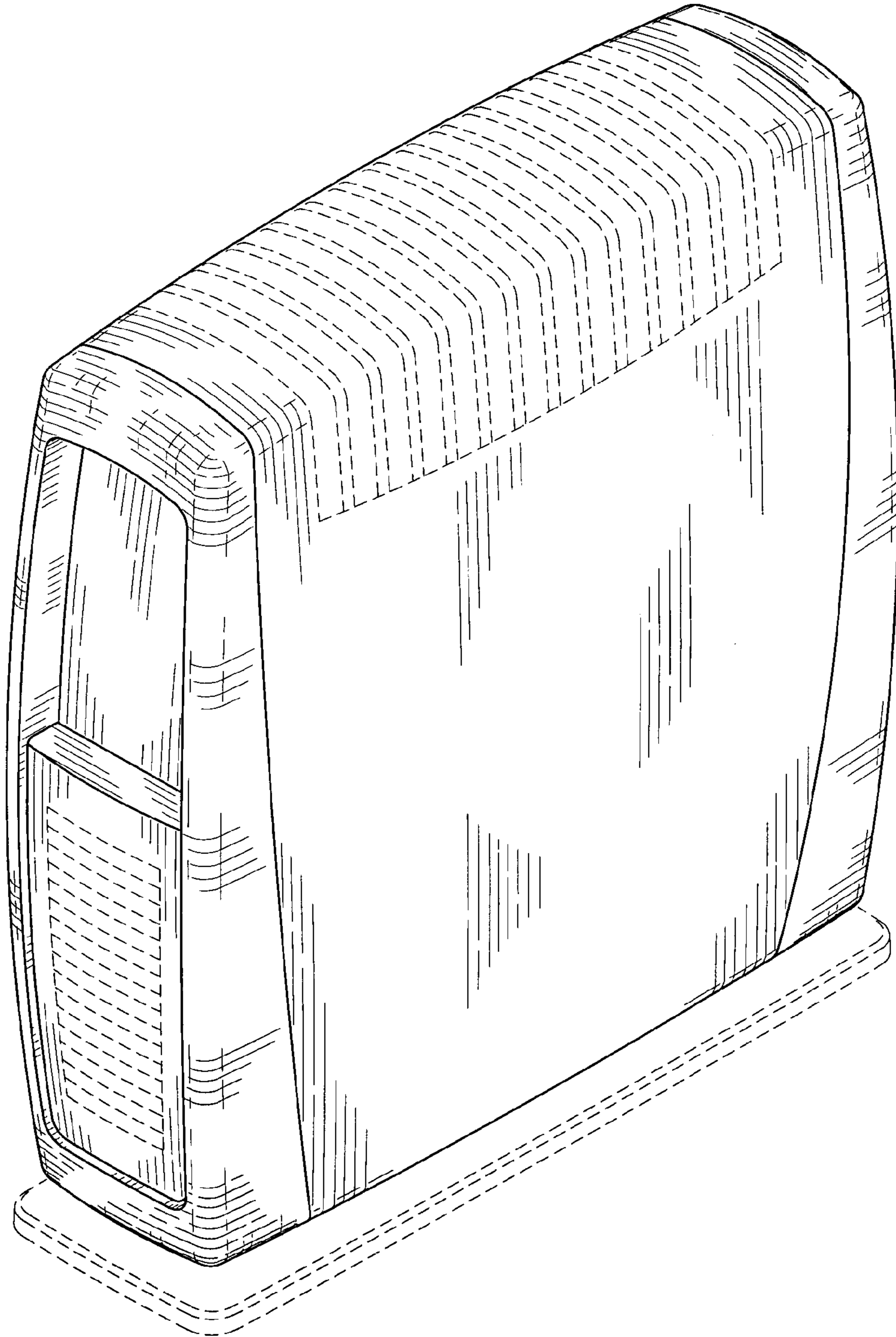


FIG. 2

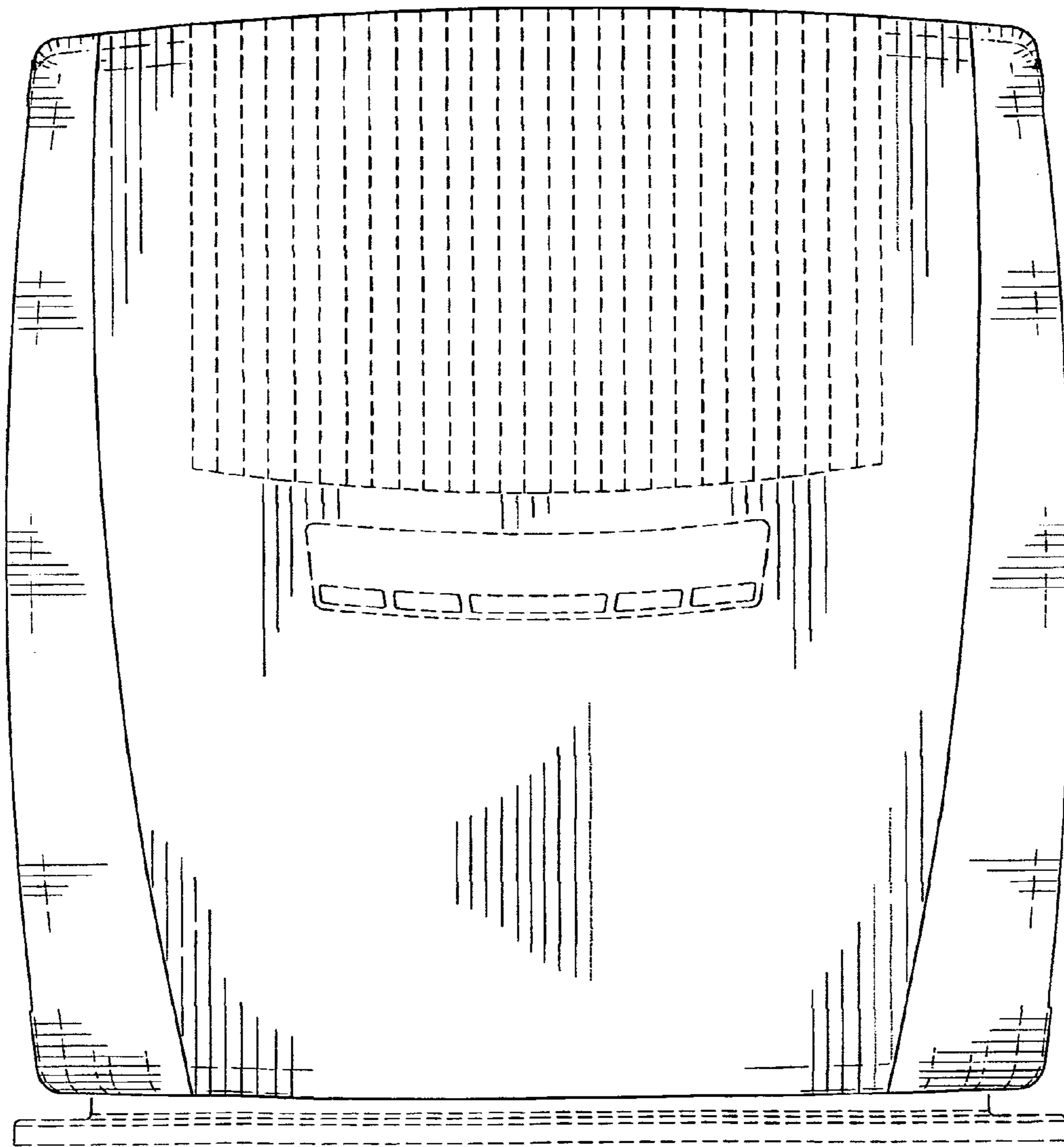


FIG. 3

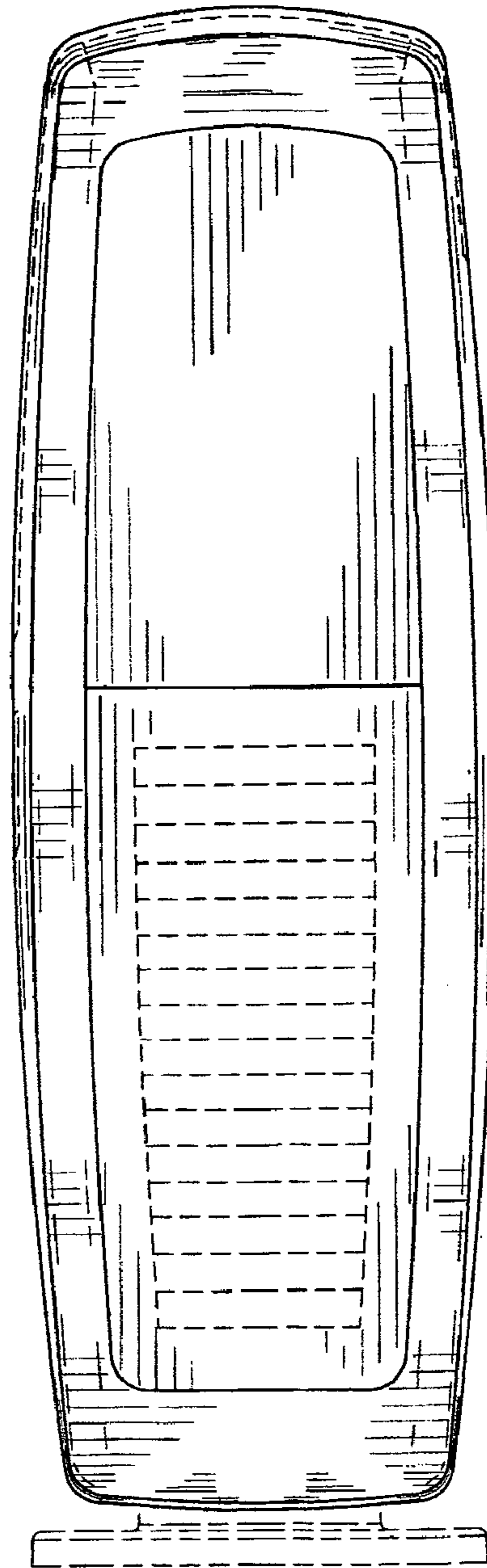


FIG. 4

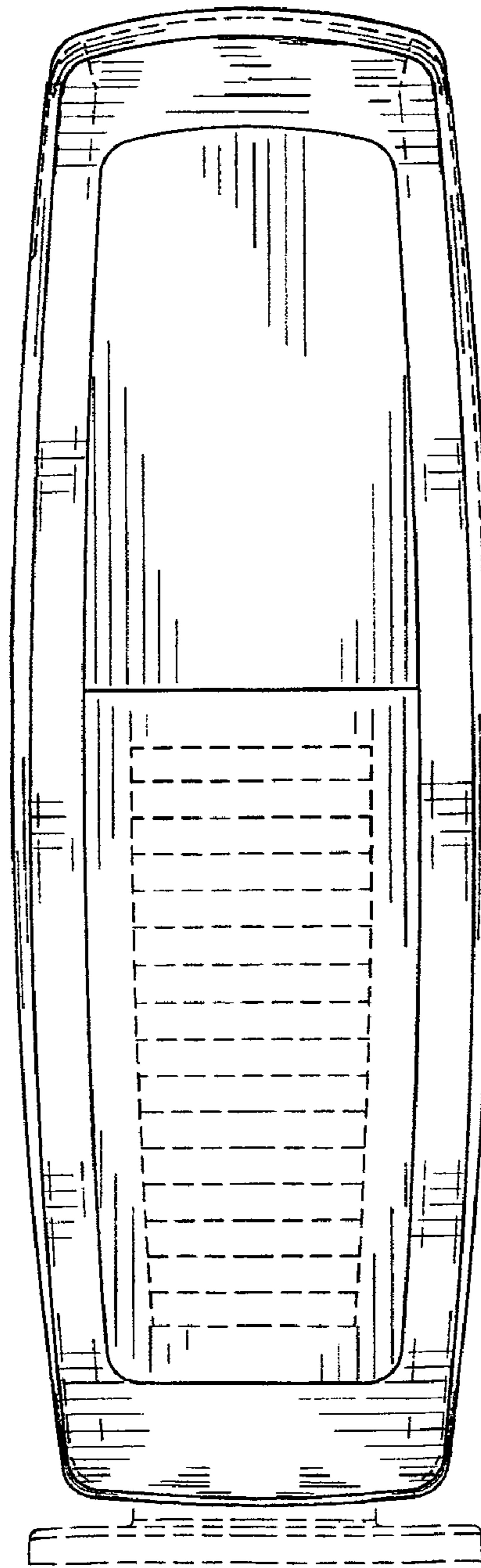


FIG. 5

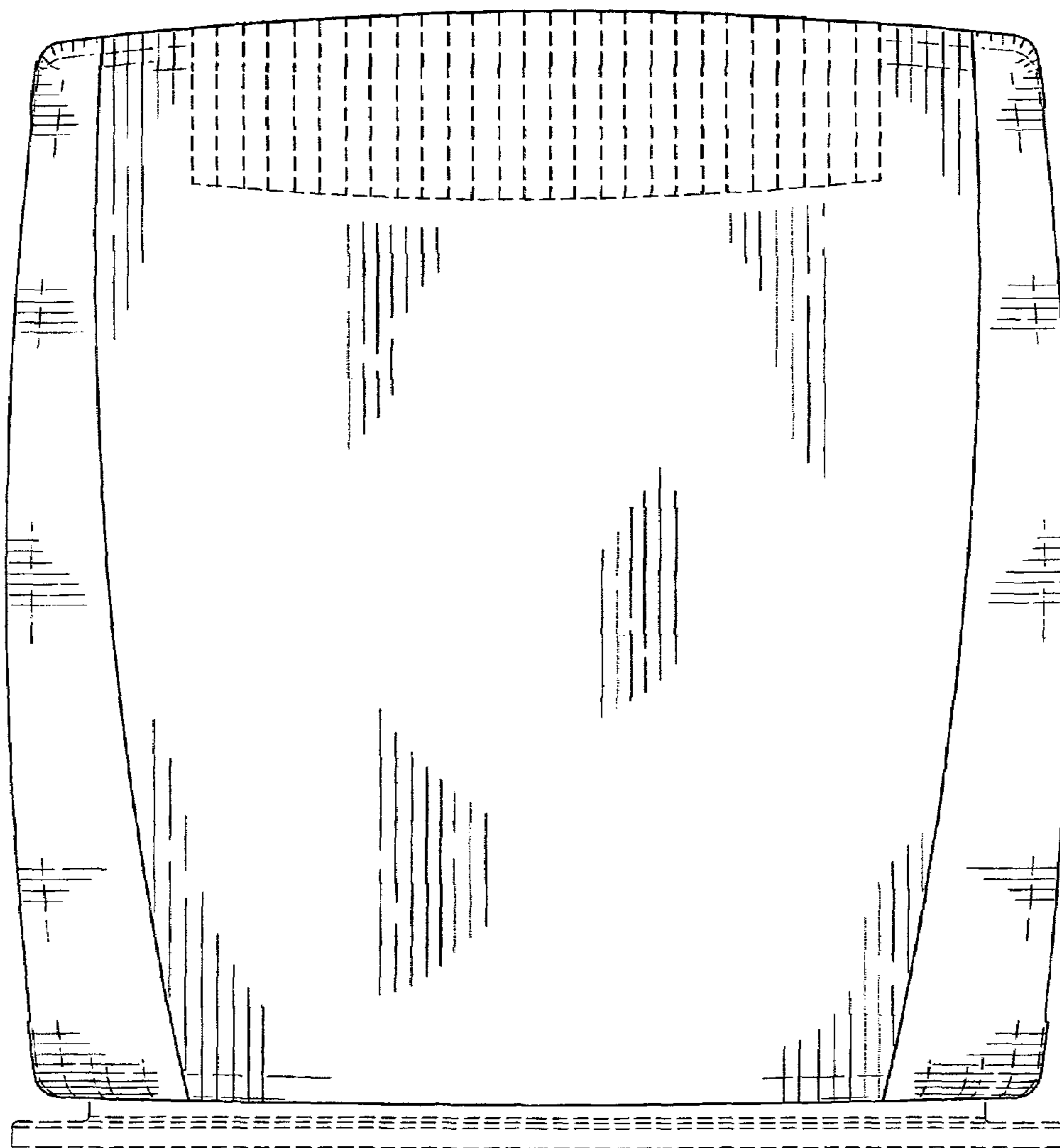


FIG. 6

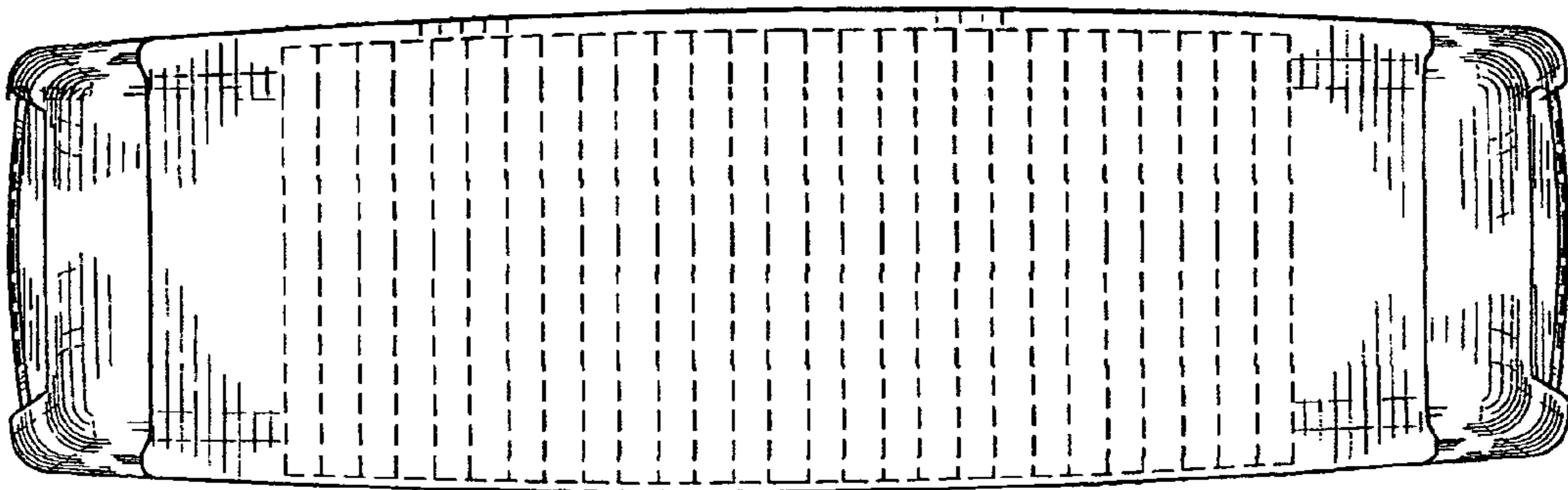


FIG. 7