



US00D572350S

(12) **United States Design Patent**  
**Shapiro**

(10) **Patent No.:** **US D572,350 S**

(45) **Date of Patent:** **\*\* Jul. 1, 2008**

(54) **BODY FOR A PORTABLE HEATER**

(75) Inventor: **Barry Shapiro**, Doylestown, PA (US)

(73) Assignee: **Lasko Holdings, Inc.**, Wilmington, DE (US)

(\*\*) Term: **14 Years**

(21) Appl. No.: **29/294,180**

(22) Filed: **Dec. 26, 2007**

(51) **LOC (8) Cl.** ..... **23-03**

(52) **U.S. Cl.** ..... **D23/317; D23/332**

(58) **Field of Classification Search** ..... D23/314, D23/317, 332, 342, 333, 334, 335, 337, 351, D23/355, 378, 370, 387, 364, 336, 341, 383; 237/56, 67, 61, 62; 416/244 R, 247 R, 53.1, 416/53.2, 53.3; 392/365, 367, 347, 350, 392/373, 407, 433, 78 A

See application file for complete search history.

(56) **References Cited**

**U.S. PATENT DOCUMENTS**

- D507,339 S \* 7/2005 Shapiro ..... D23/335
- D507,340 S \* 7/2005 Shapiro ..... D23/335
- D510,989 S \* 10/2005 Dooley ..... D23/335

D562,953 S \* 2/2008 Lewis ..... D23/341

\* cited by examiner

*Primary Examiner*—Robert M. Spear

*Assistant Examiner*—Ania K Dworzecka

(74) *Attorney, Agent, or Firm*—Martin Fruitman

(57) **CLAIM**

The ornamental design of a body for a portable heater, as shown and described.

**DESCRIPTION**

FIG. 1 is a right side front perspective view of a body for a portable heater showing my new design;

FIG. 2 is a rear perspective view thereof;

FIG. 3 is a front elevation view thereof;

FIG. 4 is a right side elevation view thereof;

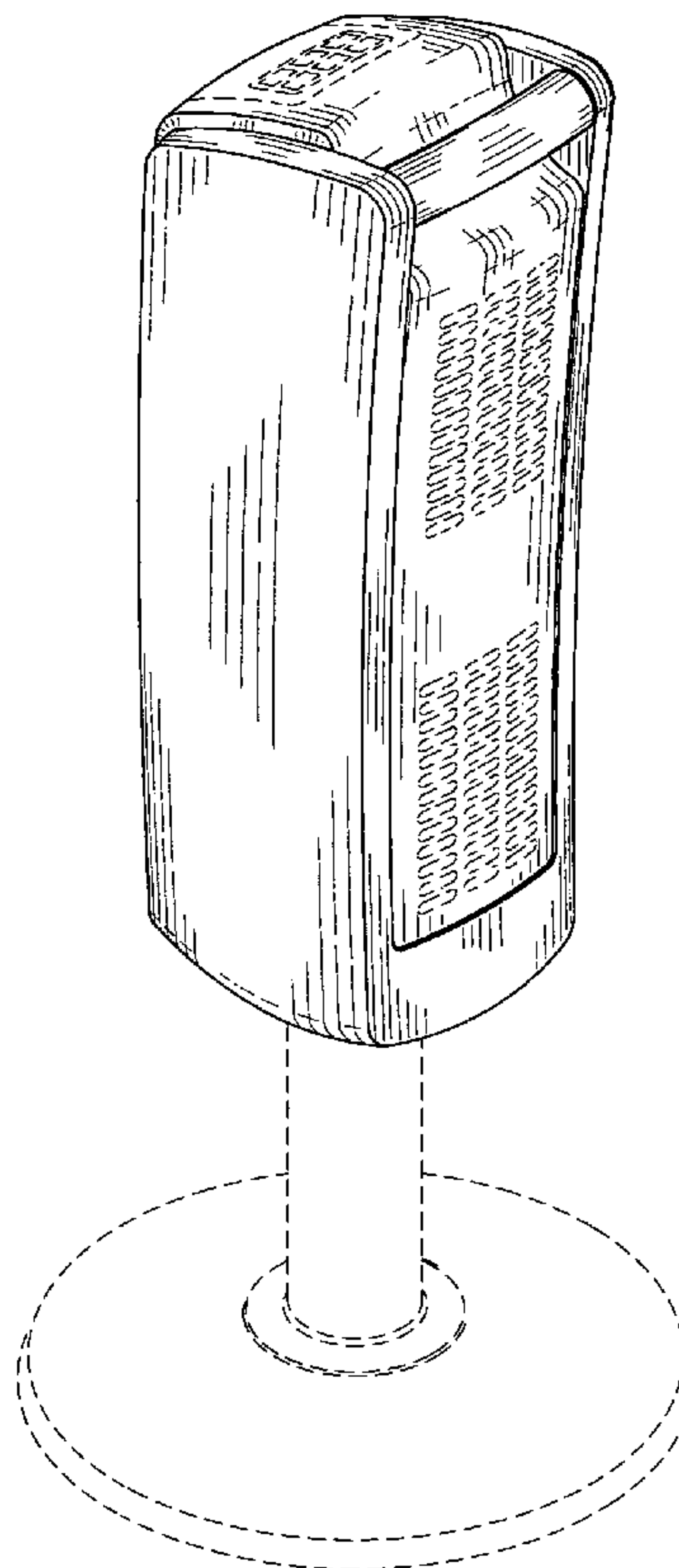
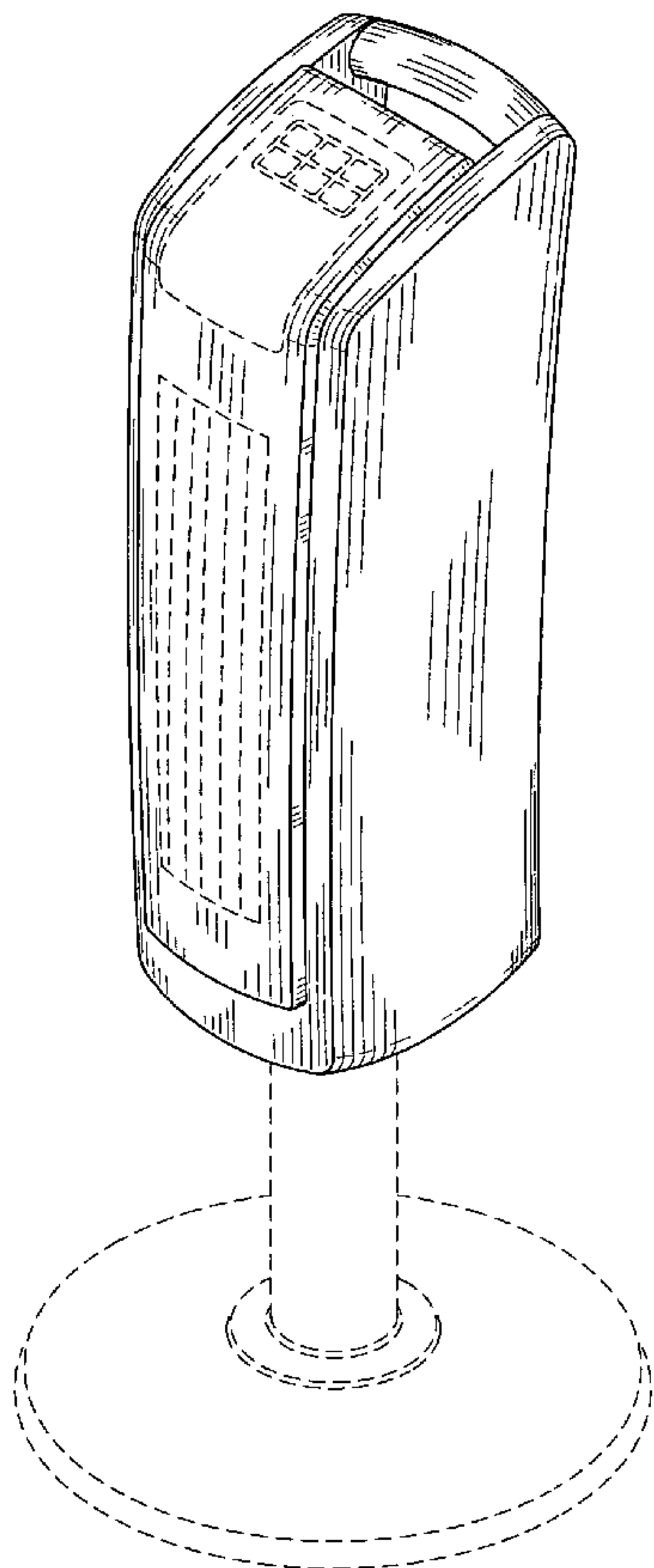
FIG. 5 is a left side elevation view thereof;

FIG. 6 is a rear elevation view thereof; and,

FIG. 7 is a top plan view thereof.

The broken line showing of environmental structure in FIGS. 1–7 is for illustrative purposes only and forms no part of the claimed design.

**1 Claim, 7 Drawing Sheets**



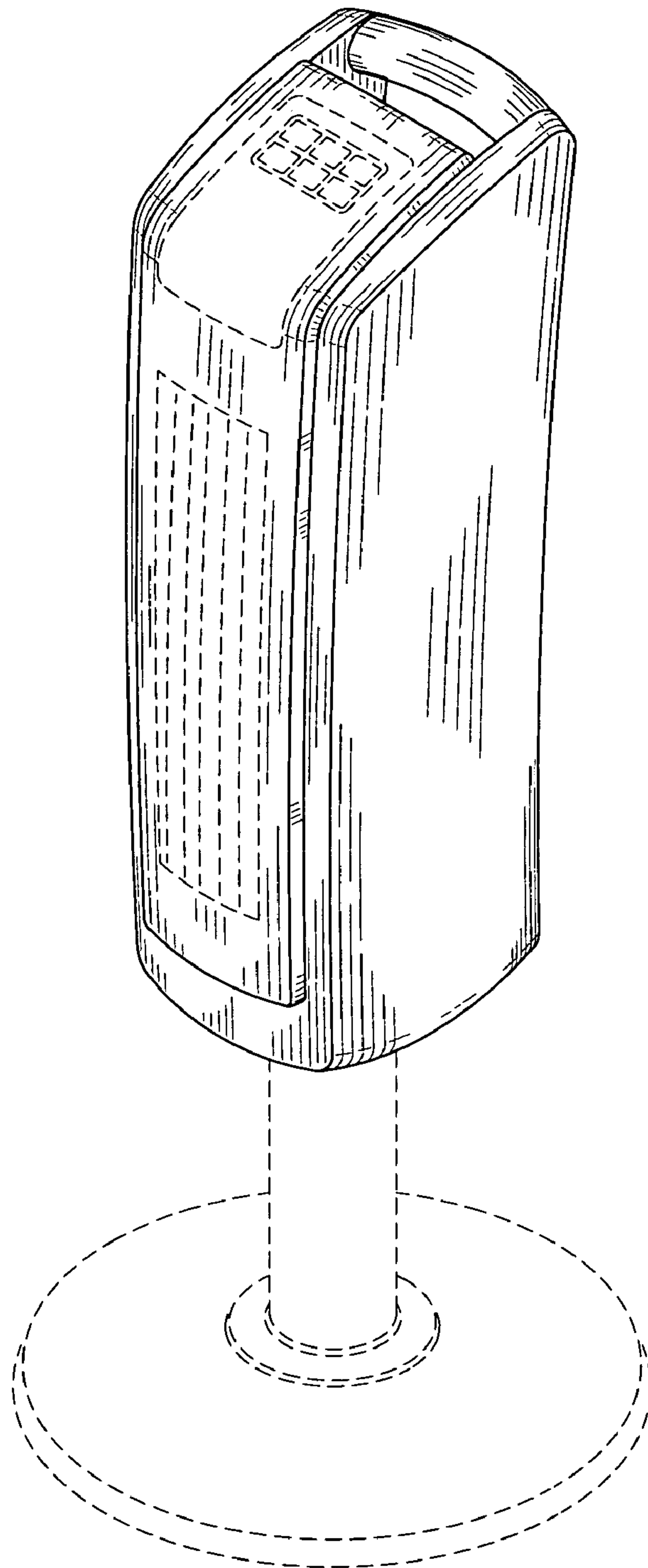


FIG. 1

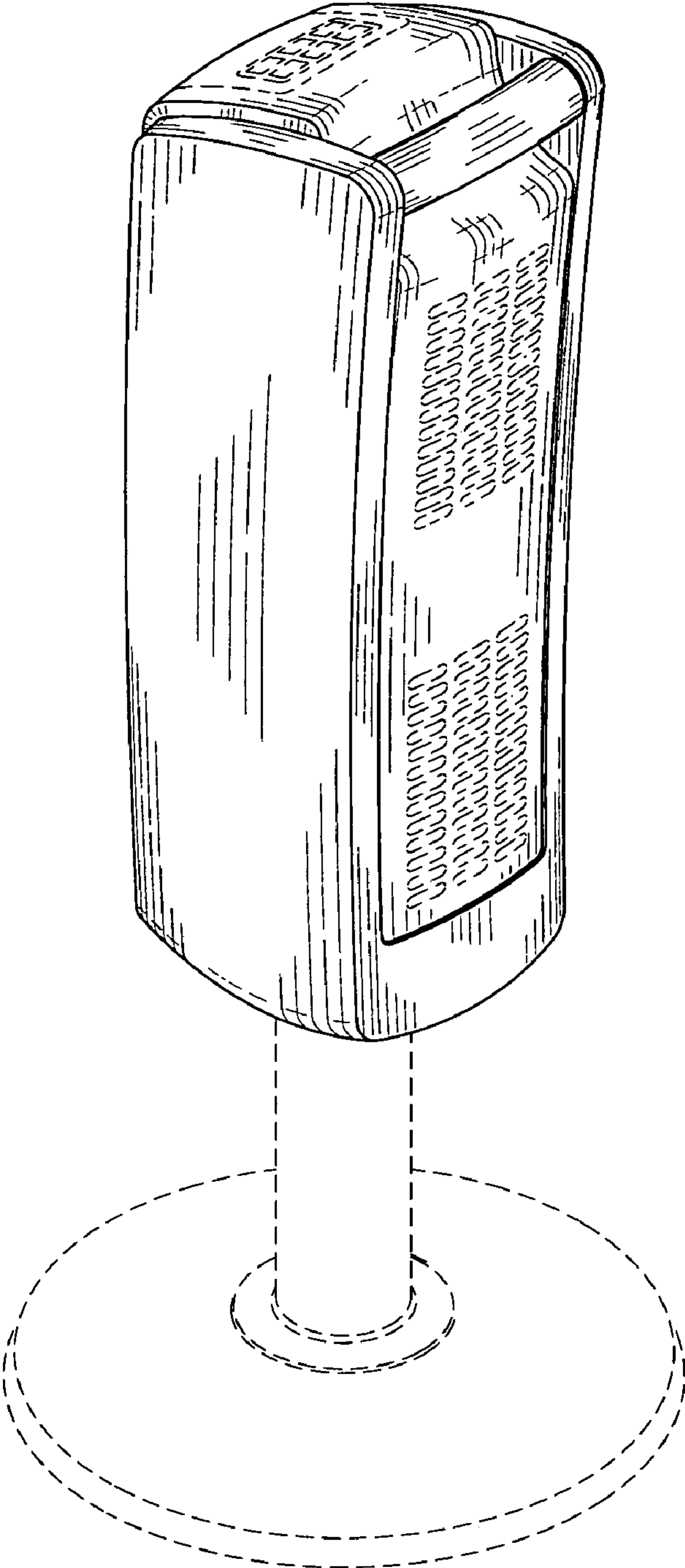


FIG. 2

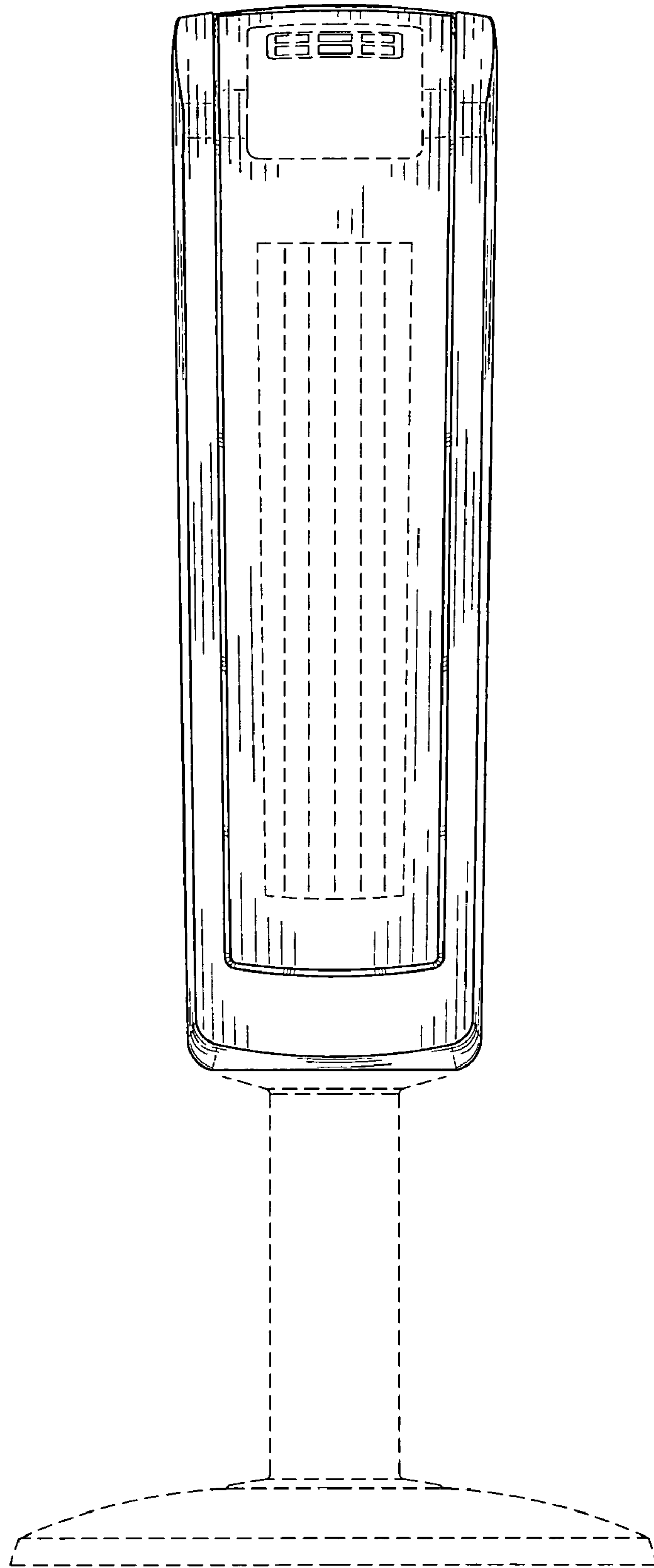
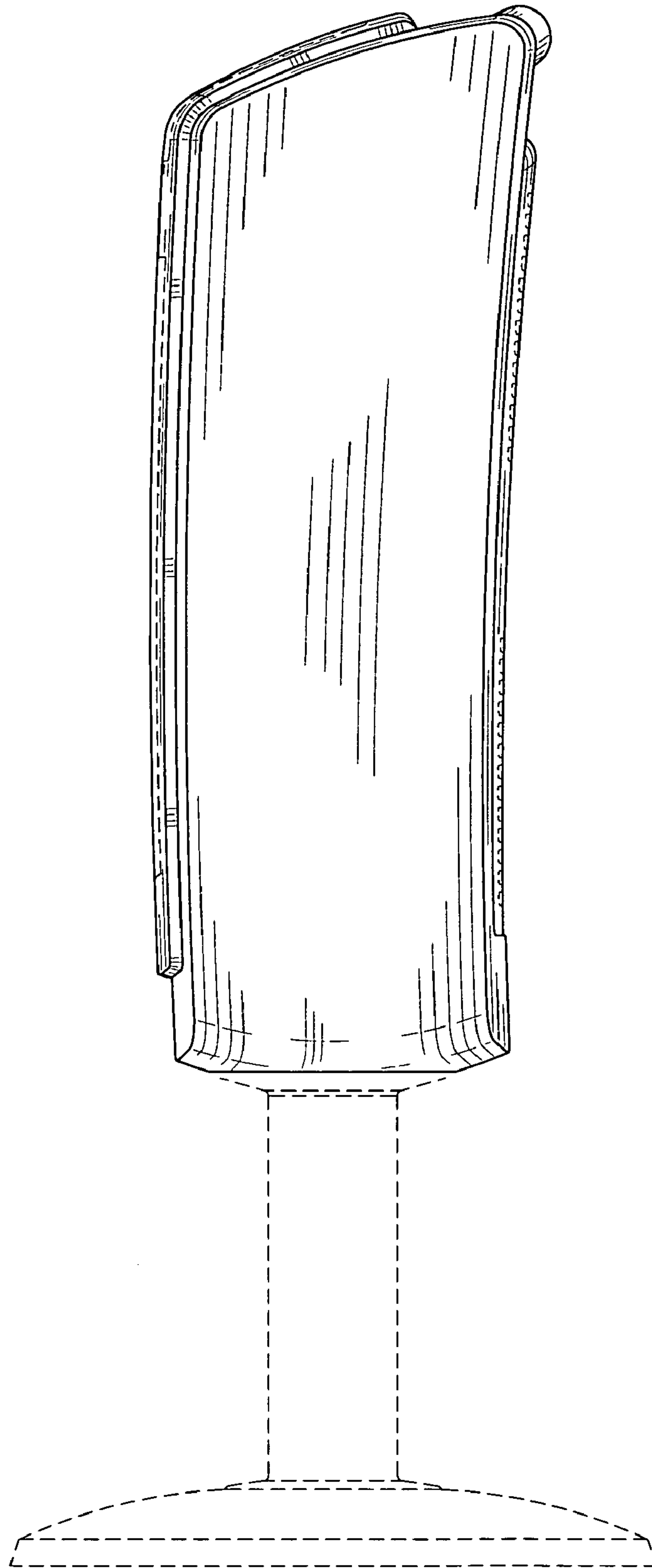


FIG. 3



**FIG. 4**

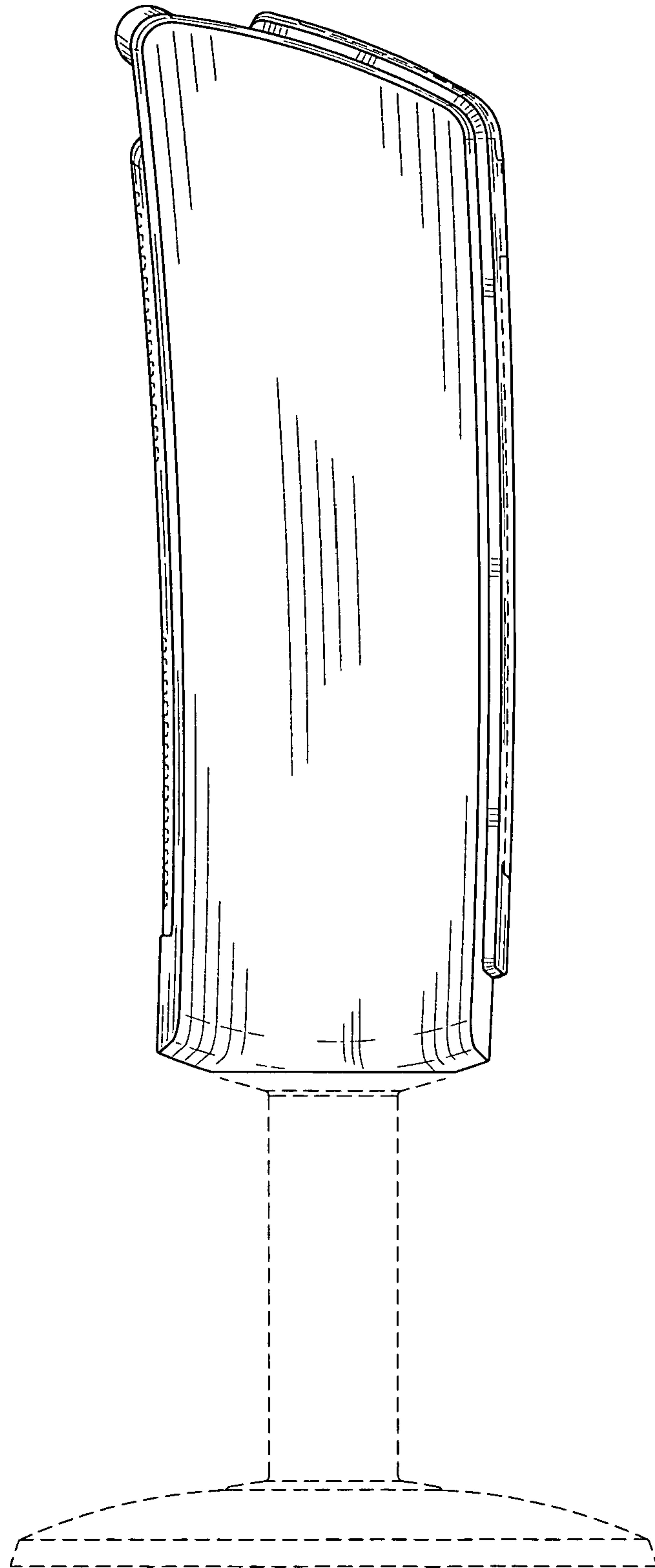


FIG. 5

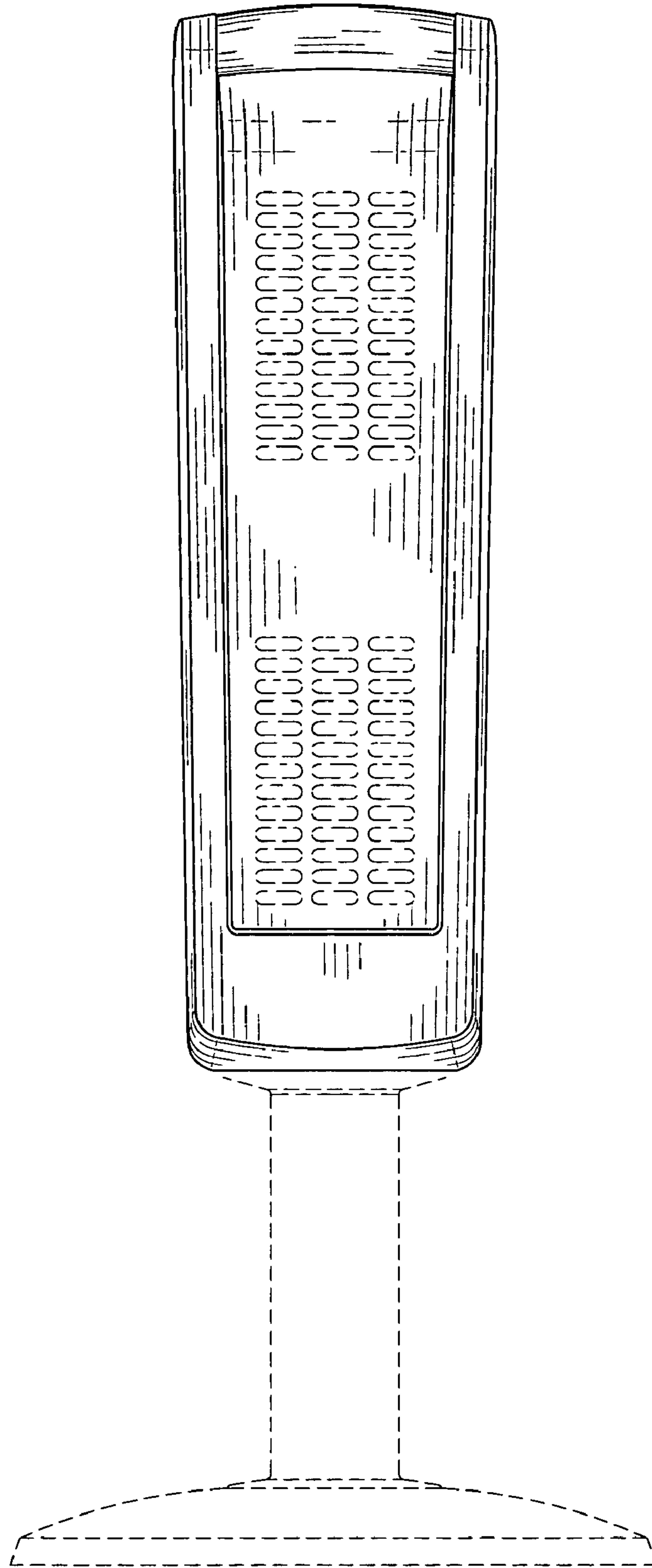


FIG. 6



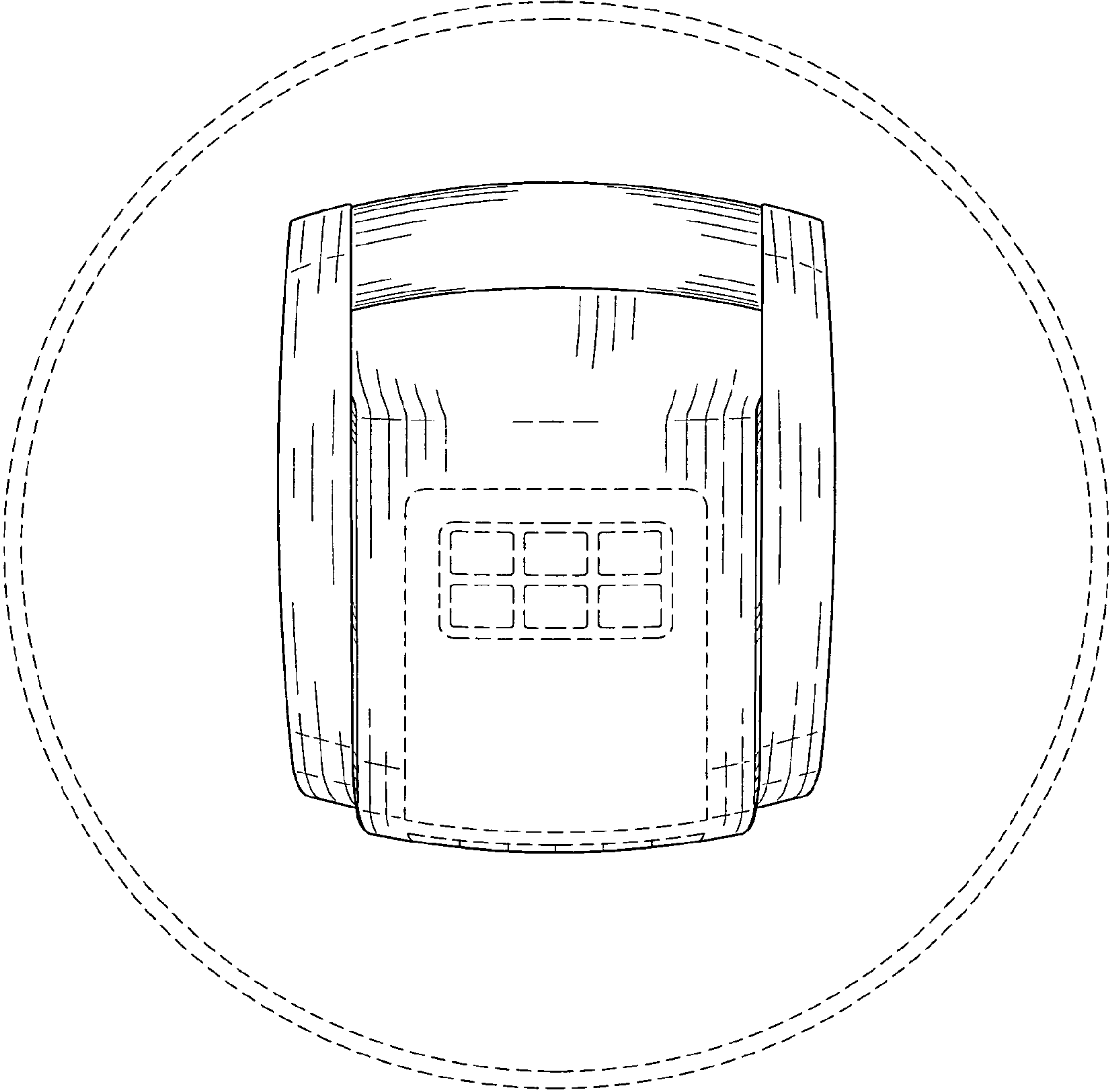


FIG. 7