



US00D572348S

(12) **United States Design Patent**
Arosio

(10) **Patent No.:** **US D572,348 S**
(45) **Date of Patent:** **** Jul. 1, 2008**

(54) **ANNULAR ELASTOMERIC SEAL FOR A CLUTCH**

(75) Inventor: **Massimo Arosio**, Treviglio (IT)

(73) Assignee: **Faster S.p.A.**, Rivolta d'Adda (IT)

(**) Term: **14 Years**

(21) Appl. No.: **29/253,387**

(22) Filed: **Feb. 6, 2006**

(30) **Foreign Application Priority Data**

Aug. 5, 2005 (IT) MI2005O0129

(51) **LOC (8) Cl.** **23-01**

(52) **U.S. Cl.** **D23/269; D15/5**

(58) **Field of Classification Search** D15/1,
D15/3, 5; D23/262, 269, 393, 500, 502,
D23/779; 277/602, 608, 625-626, 910; 285/113,
285/109, 291.1, 379, 344, 327
See application file for complete search history.

(56) **References Cited**

U.S. PATENT DOCUMENTS

1,701,326 A * 2/1929 Johnson 277/626
3,940,155 A * 2/1976 Baumle 277/558

D285,247 S * 8/1986 Jornhagen D23/269
D289,078 S * 3/1987 Vassallo et al. D23/269
D322,120 S * 12/1991 du Gay D23/269
D386,246 S * 11/1997 Sonden et al. D23/262
6,196,552 B1 * 3/2001 Peterson et al. 277/437
D447,223 S * 8/2001 Mattsson et al. D23/269
D534,253 S * 12/2006 Sandman et al. D23/269
2007/0257486 A1 * 11/2007 Filippov et al. 285/382.2

* cited by examiner

Primary Examiner—Ian Simmons

Assistant Examiner—Wan Laymon

(74) *Attorney, Agent, or Firm*—Kirschstein, et al.

(57) **CLAIM**

The ornamental design for an annular elastomeric seal for a clutch, as shown and described.

DESCRIPTION

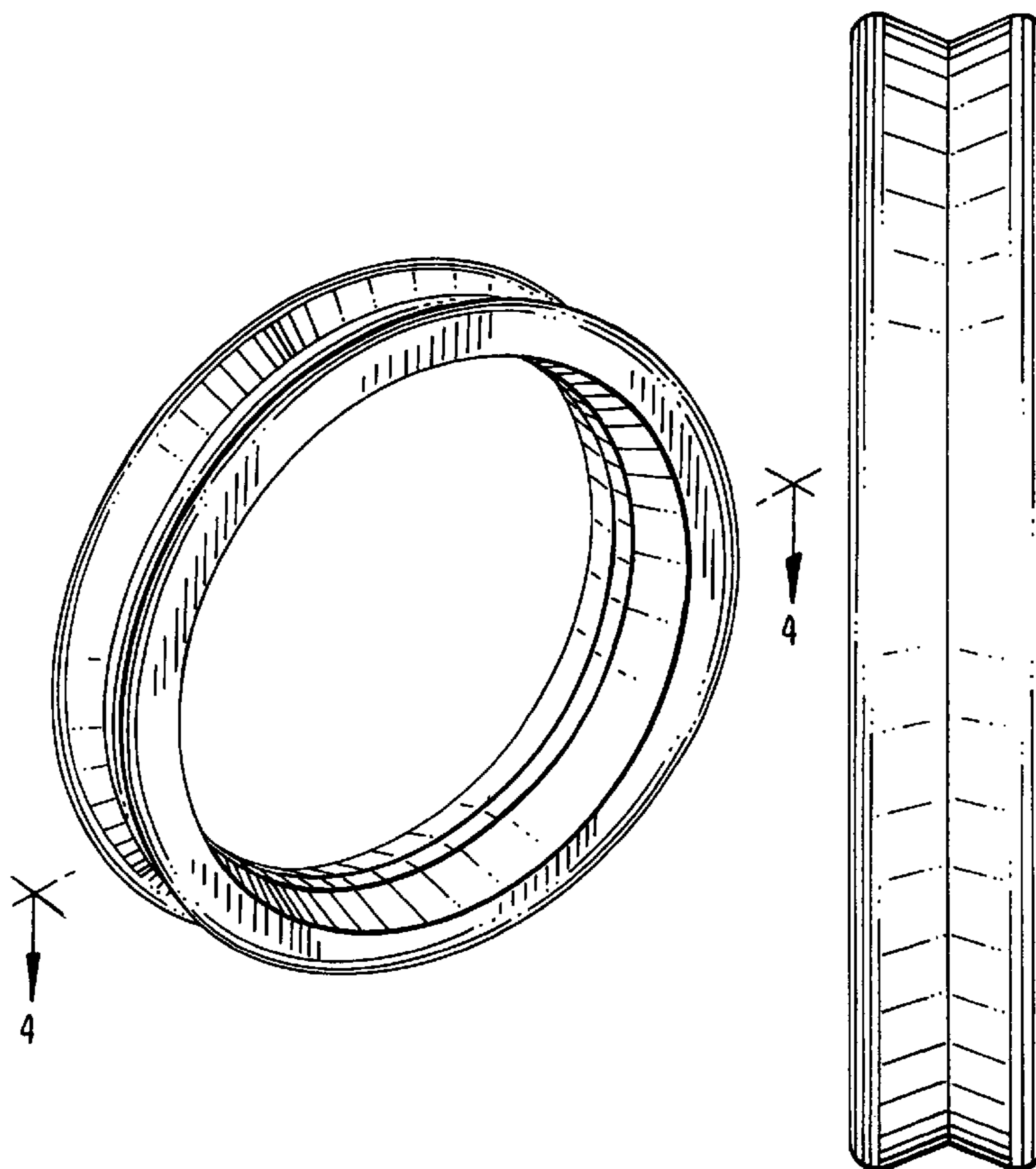
FIG. 1 is a perspective view of an annular elastomeric seal for a clutch according to my new design;

FIG. 2 is a side elevational view, the opposite side view being a mirror image;

FIG. 3 is a front elevational view, the opposite rear view being a mirror image; and,

FIG. 4 is a sectional view taken on line 4—4 of FIG. 1.

1 Claim, 2 Drawing Sheets



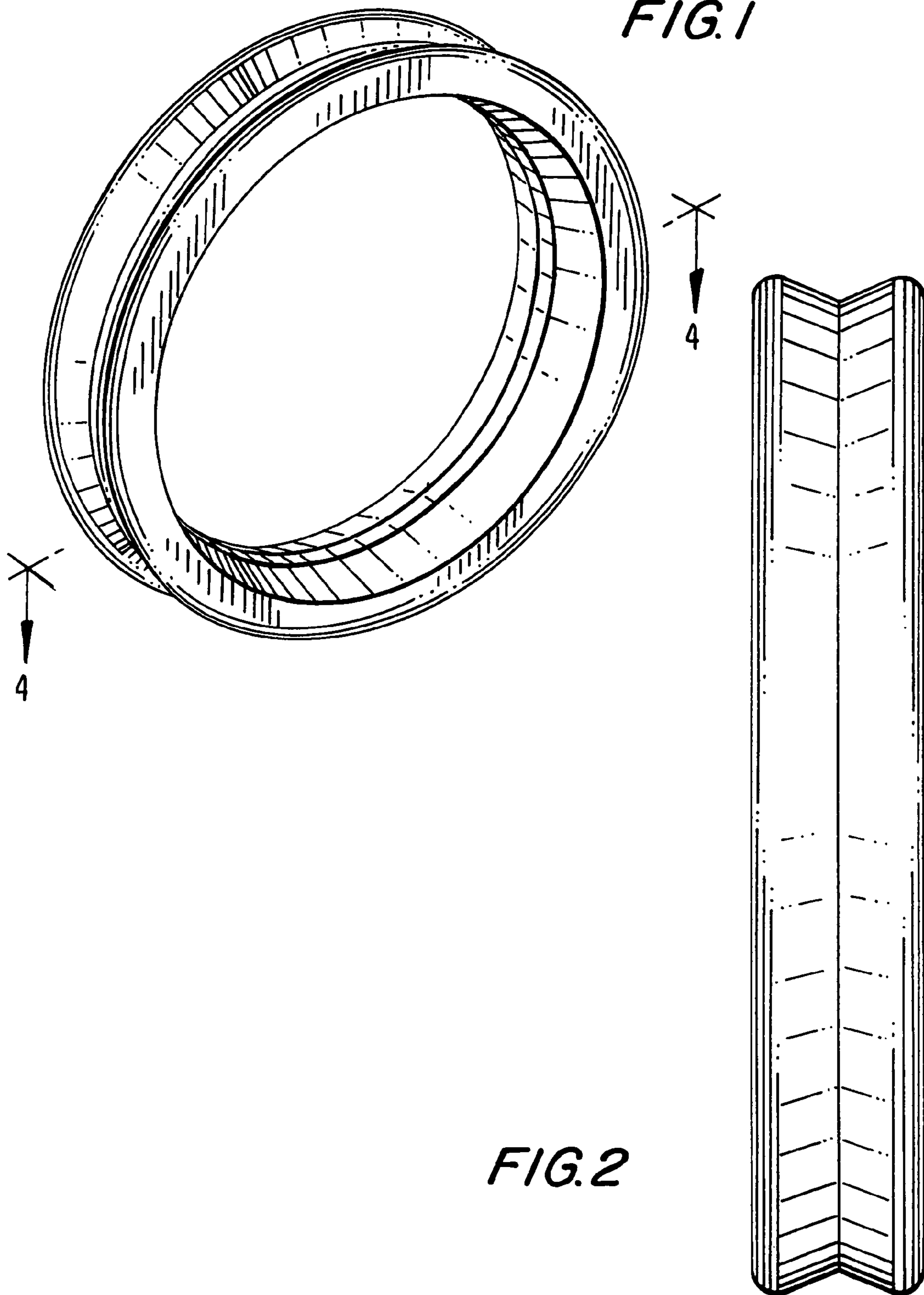


FIG. 3

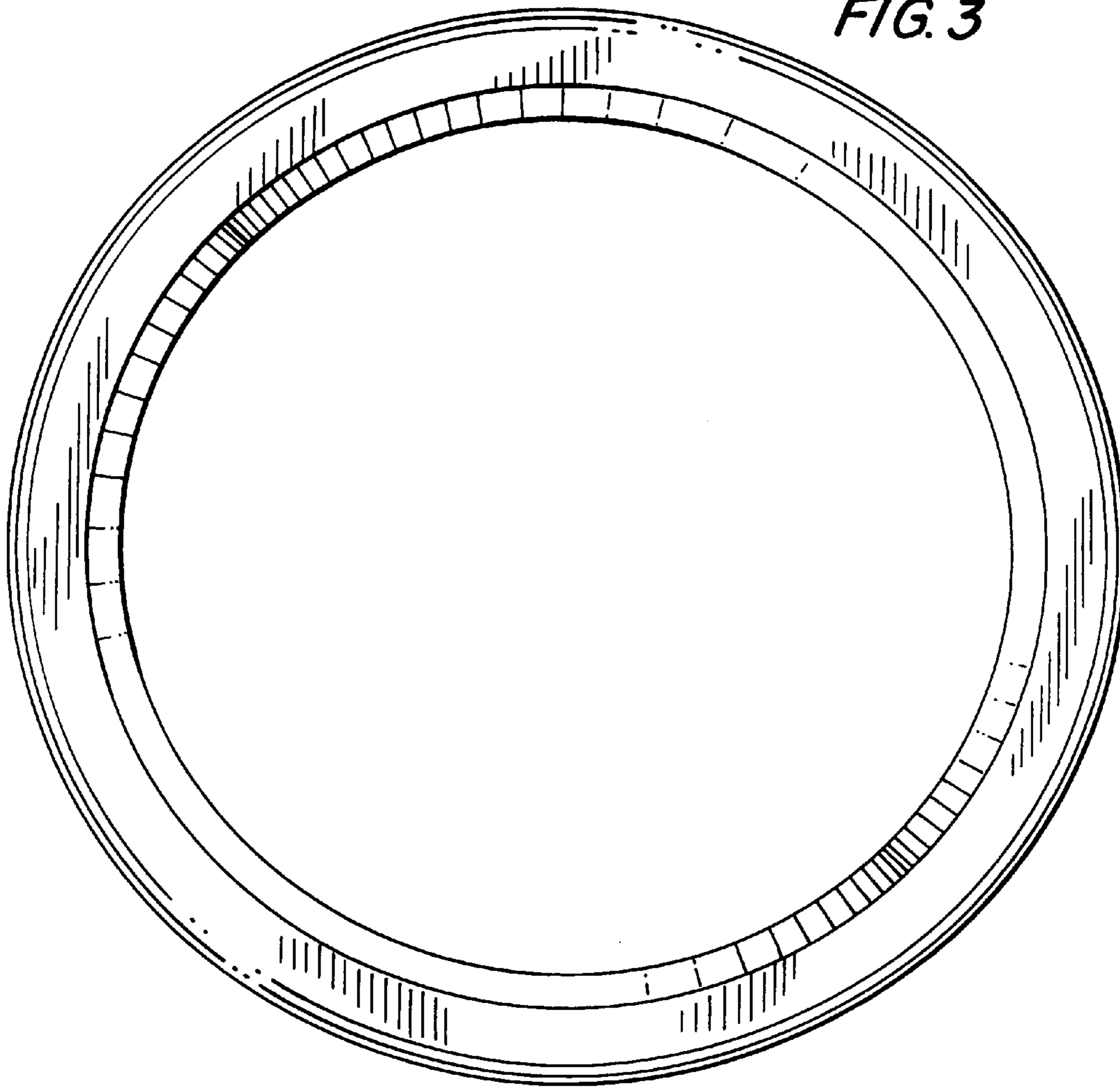


FIG. 4

