



US00D572346S

(12) **United States Design Patent**
Painter

(10) **Patent No.:** **US D572,346 S**

(45) **Date of Patent:** **** Jul. 1, 2008**

(54) **FAUCET**

(75) Inventor: **Michael Painter**, Columbus, OH (US)

(73) Assignee: **Globe Union Industrial Corp.**,
Taichung (TW)

(**) Term: **14 Years**

(21) Appl. No.: **29/281,110**

(22) Filed: **Jun. 15, 2007**

(51) **LOC (8) Cl.** **23-01**

(52) **U.S. Cl.** **D23/242**

(58) **Field of Classification Search** D23/200,
D23/238-257; D6/512, 546, 550; D8/300,
D8/307-308, 310-312, 321; 4/675-678;
137/801; 16/110.1, 441

See application file for complete search history.

(56) **References Cited**

U.S. PATENT DOCUMENTS

- D285,597 S * 9/1986 Miller et al. D23/242
- D465,557 S * 11/2002 Antonello et al. D23/242
- D465,559 S * 11/2002 Chen D23/242

- D472,609 S * 4/2003 Marshall D23/242
- D516,675 S * 3/2006 Kakihana D23/241
- D532,085 S * 11/2006 Svendsen et al. D23/241
- D538,399 S * 3/2007 Miyamoto D23/241

* cited by examiner

Primary Examiner—Robert A. Delehanty

Assistant Examiner—Mark Cavanna

(74) *Attorney, Agent, or Firm*—Leong C. Lei

(57) **CLAIM**

The ornamental design for a faucet, as shown and described.

DESCRIPTION

FIG. 1 is a perspective view of a faucet showing my new design;

FIG. 2 is a front elevatioanl view thereof;

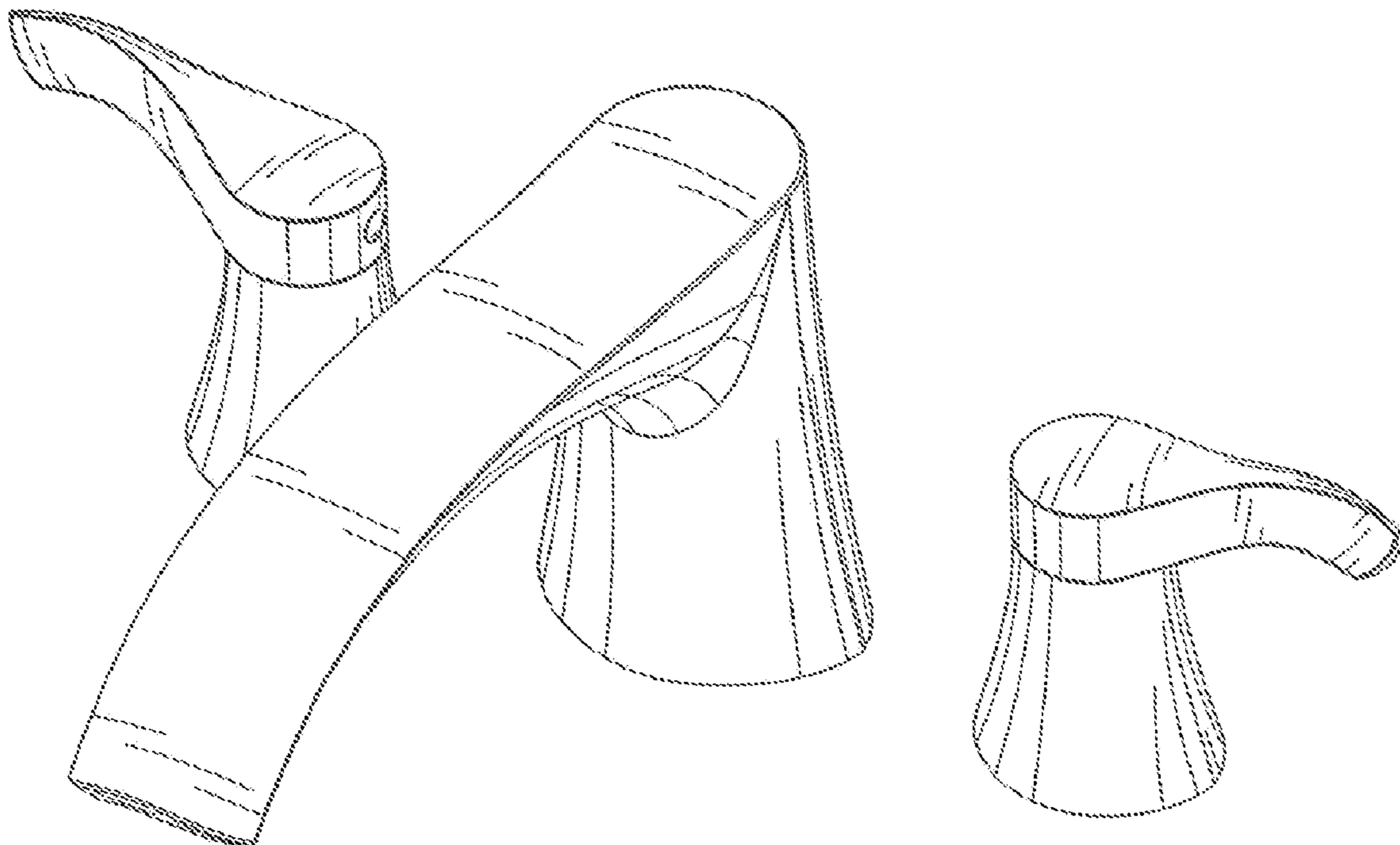
FIG. 3 is a rear elevational view thereof;

FIG. 4 is a left side elevational view thereof;

FIG. 5 is a right side elevational view thereof; and,

FIG. 6 is a top plan view thereof.

1 Claim, 6 Drawing Sheets



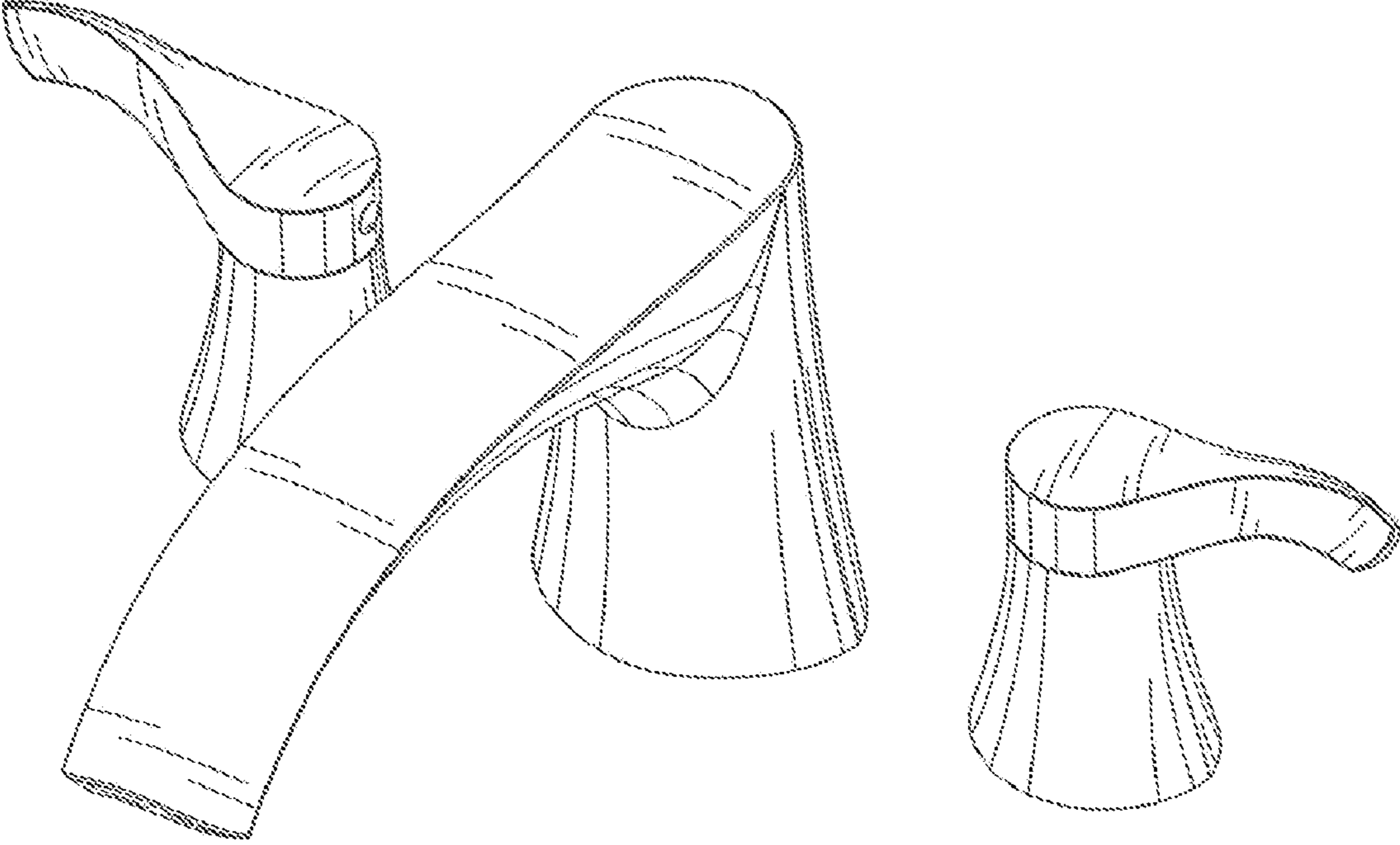


FIG. 1

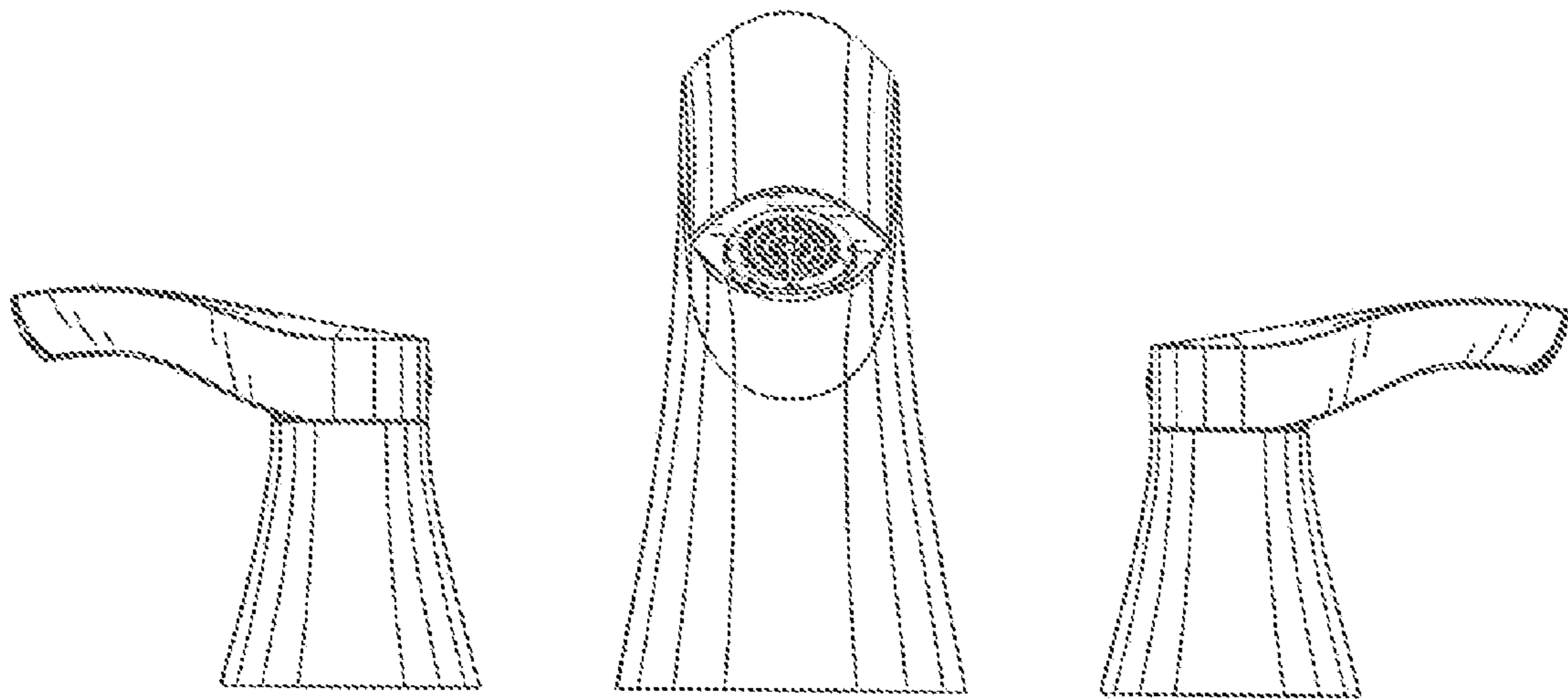


FIG. 2

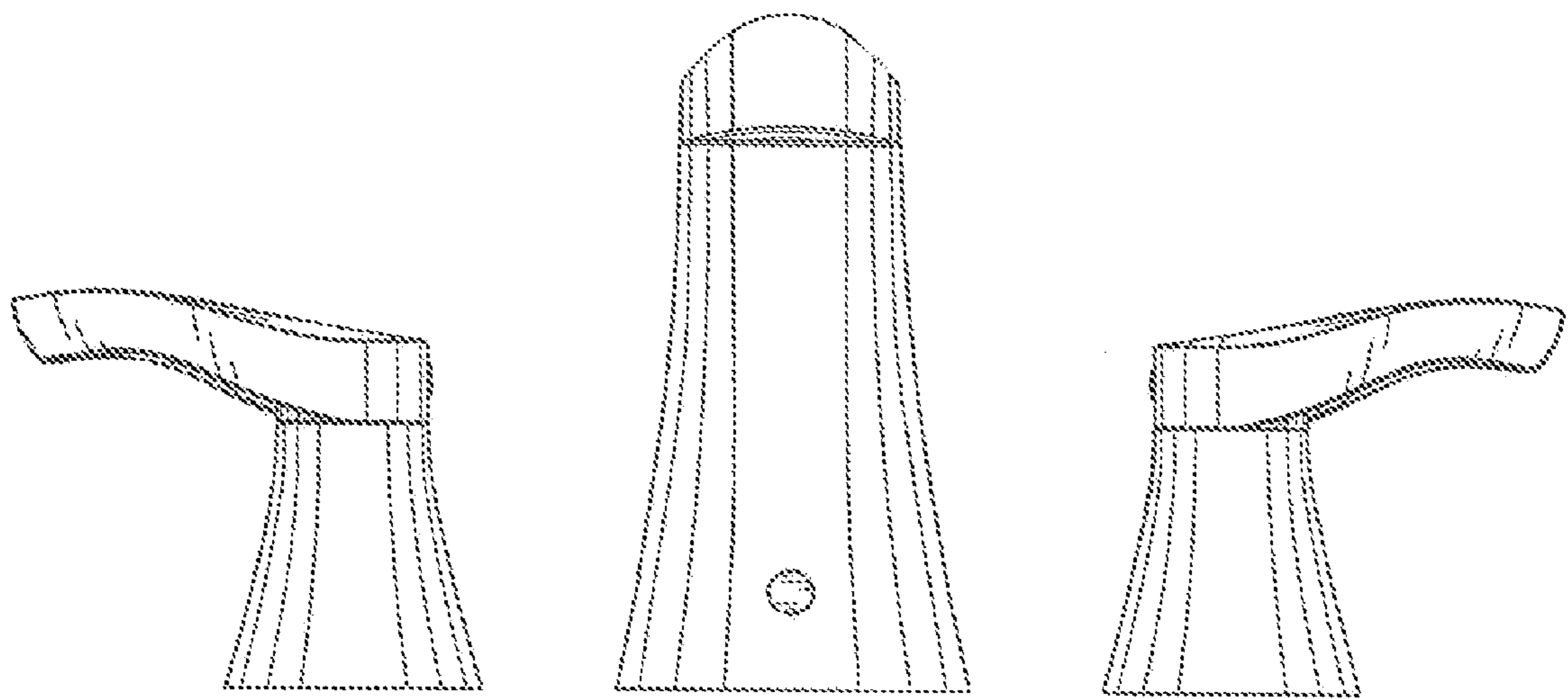


FIG. 3

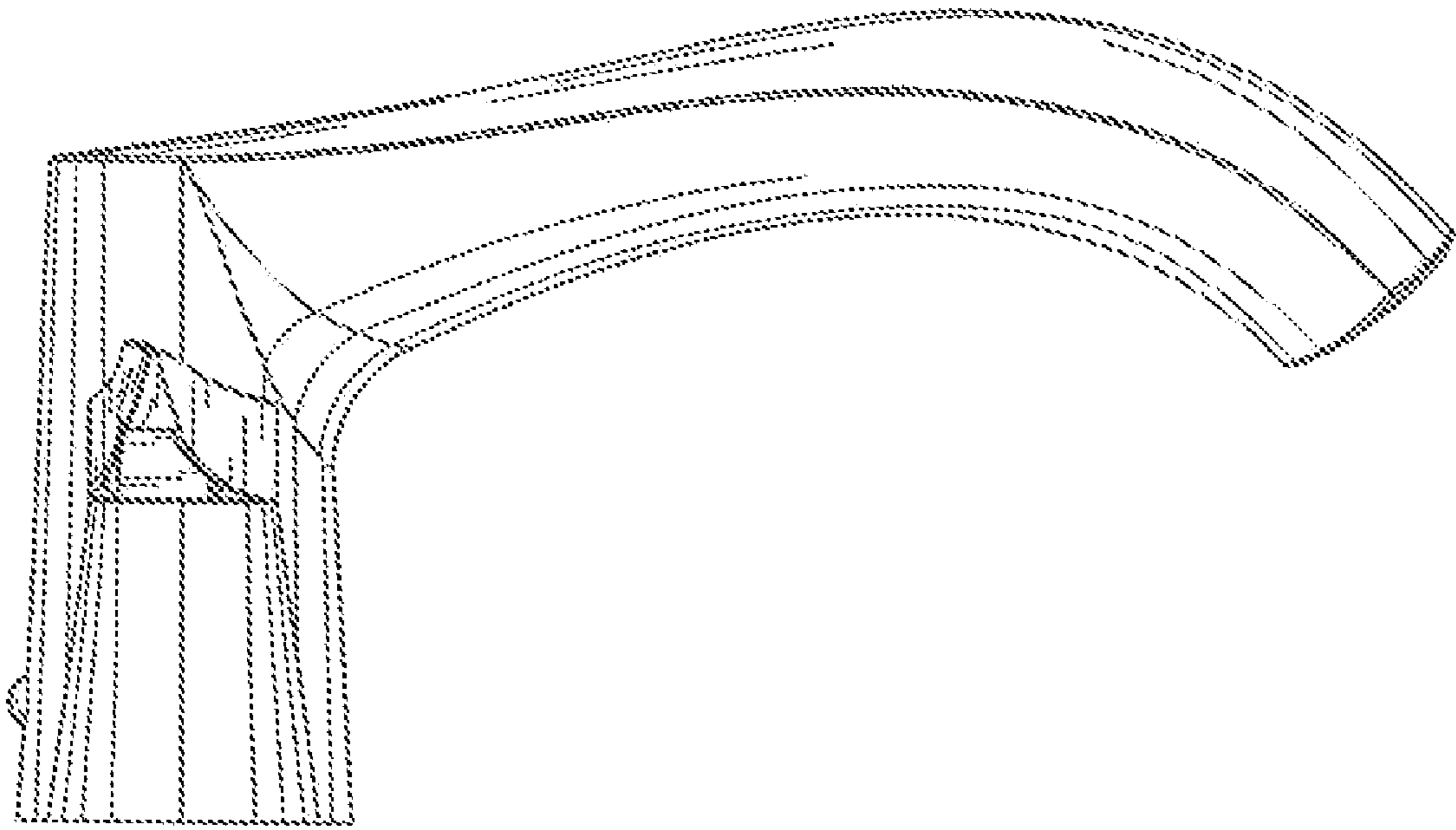


FIG. 4

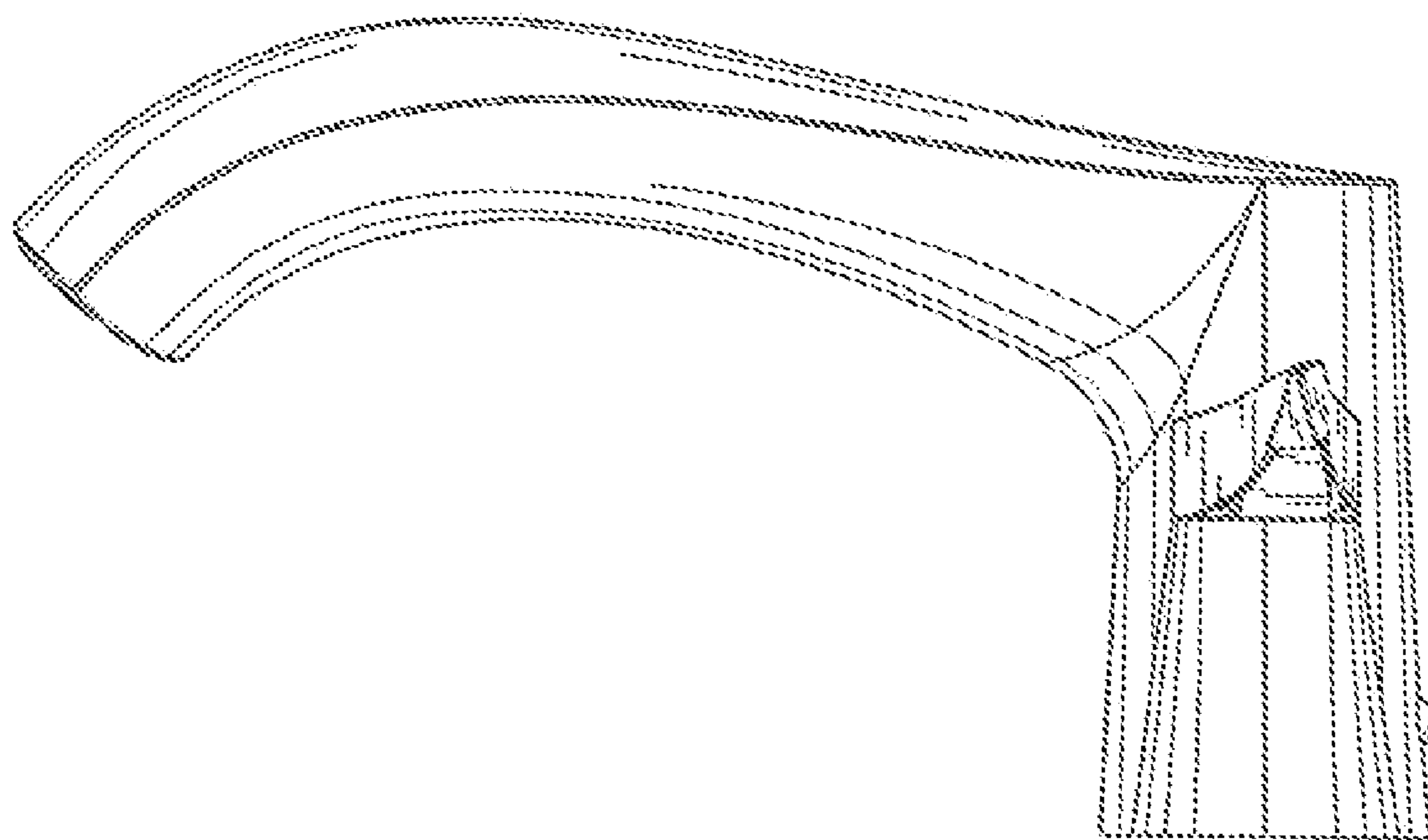


FIG. 5

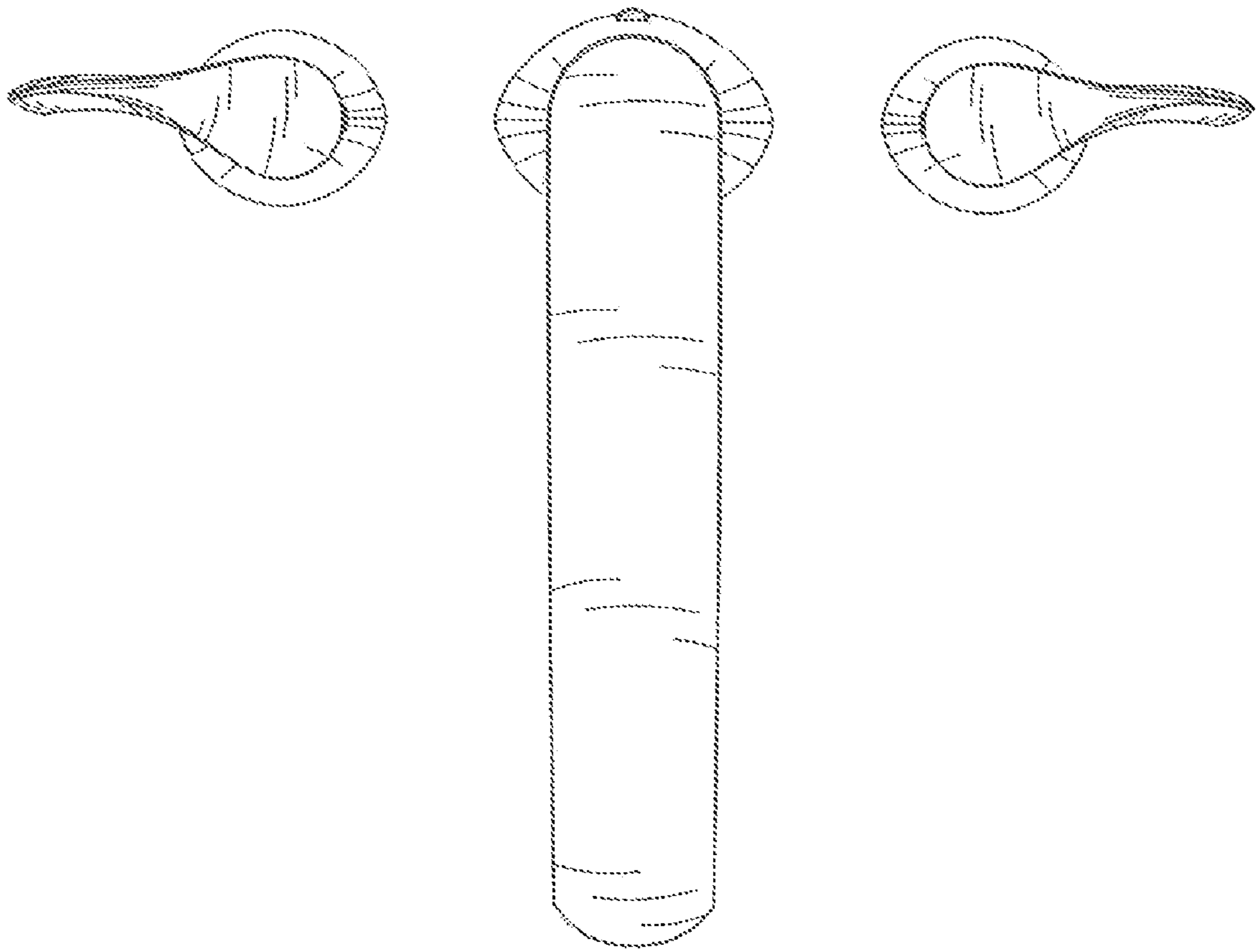


FIG. 6