



US00D572345S

(12) **United States Design Patent**
Wang

(10) **Patent No.:** **US D572,345 S**
(45) **Date of Patent:** **** Jul. 1, 2008**

(54) **FAUCET**

(75) Inventor: **Ruler Wang**, Taichung (TW)

(73) Assignee: **Globe Union Industrial Corp.**,
Taichung (TW)

(**) Term: **14 Years**

(21) Appl. No.: **29/280,029**

(22) Filed: **May 15, 2007**

(51) **LOC (8) Cl.** **23-01**

(52) **U.S. Cl.** **D23/238**

(58) **Field of Classification Search** D23/200,
D23/238-257; D6/512, 546, 550; D8/300,
D8/307-308, 310-312, 321; 4/675-678;
137/801; 16/110.1, 441

See application file for complete search history.

(56) **References Cited**

U.S. PATENT DOCUMENTS

D420,430 S *	2/2000	Lobermeier	D23/238
D511,370 S *	11/2005	Kennard	D23/255
D517,171 S *	3/2006	Shieh	D23/241
D520,122 S *	5/2006	Kennard	D23/256
D521,122 S *	5/2006	Fritz	D23/255
D521,126 S *	5/2006	Kemp	D23/257

D544,584 S *	6/2007	Kemp	D23/249
D545,399 S *	6/2007	Kemp	D23/255
D545,400 S *	6/2007	Kemp	D23/249
D545,401 S *	6/2007	Kemp	D23/255
D545,946 S *	7/2007	Kemp	D23/249
D555,230 S *	11/2007	Kemp et al.	D23/249
D562,946 S *	2/2008	Wang	D23/242

* cited by examiner

Primary Examiner—Robert A. Delehanty

Assistant Examiner—Mark Cavanna

(74) *Attorney, Agent, or Firm*—Leong C. Lei

(57) **CLAIM**

The ornamental design for a faucet, as shown and described.

DESCRIPTION

FIG. 1 is a perspective view of a faucet showing my new design;

FIG. 2 is a front elevational view thereof;

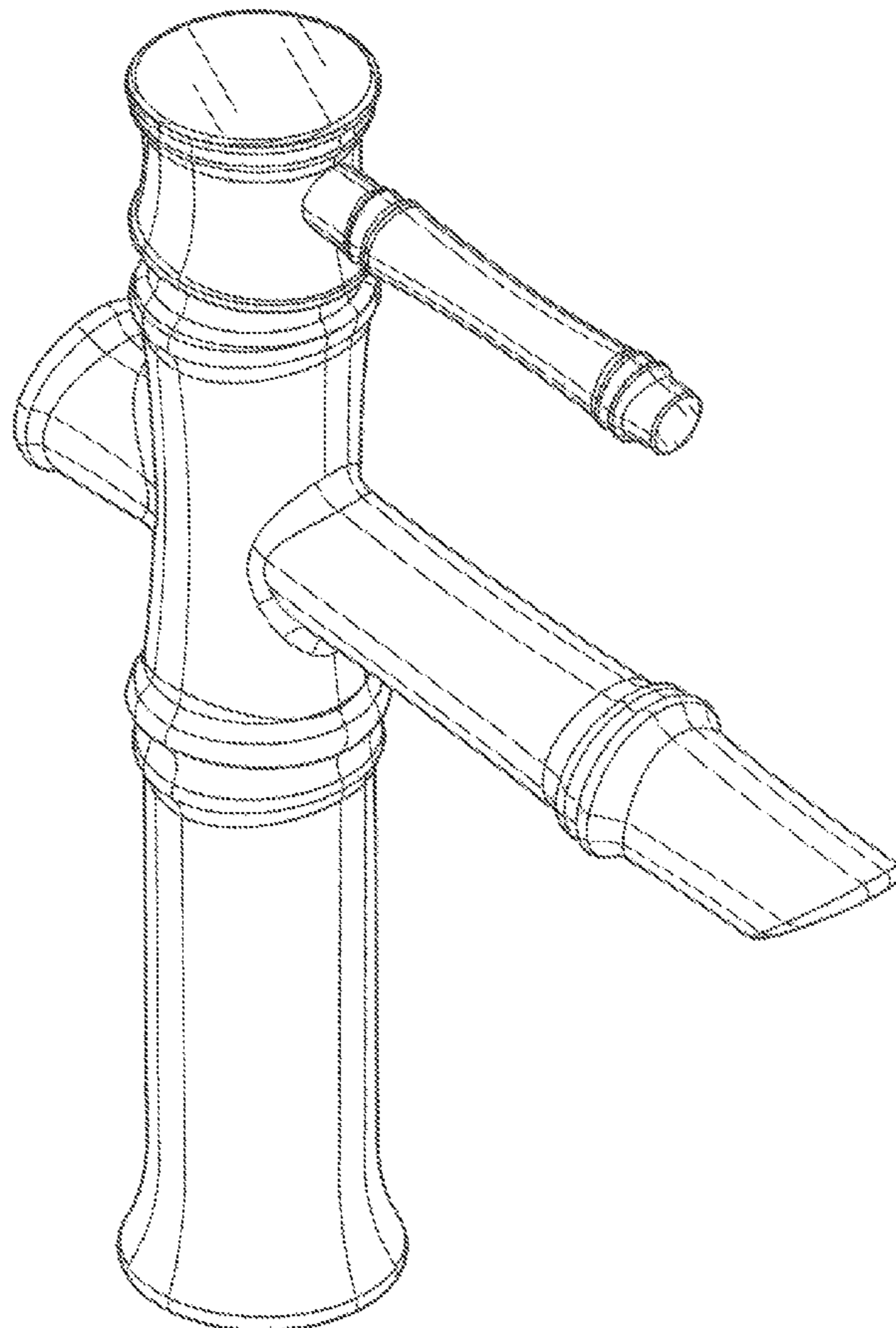
FIG. 3 is a rear elevational view thereof;

FIG. 4 is a left side elevational view thereof;

FIG. 5 is a right side elevational view thereof; and,

FIG. 6 is a top plan view thereof.

1 Claim, 6 Drawing Sheets



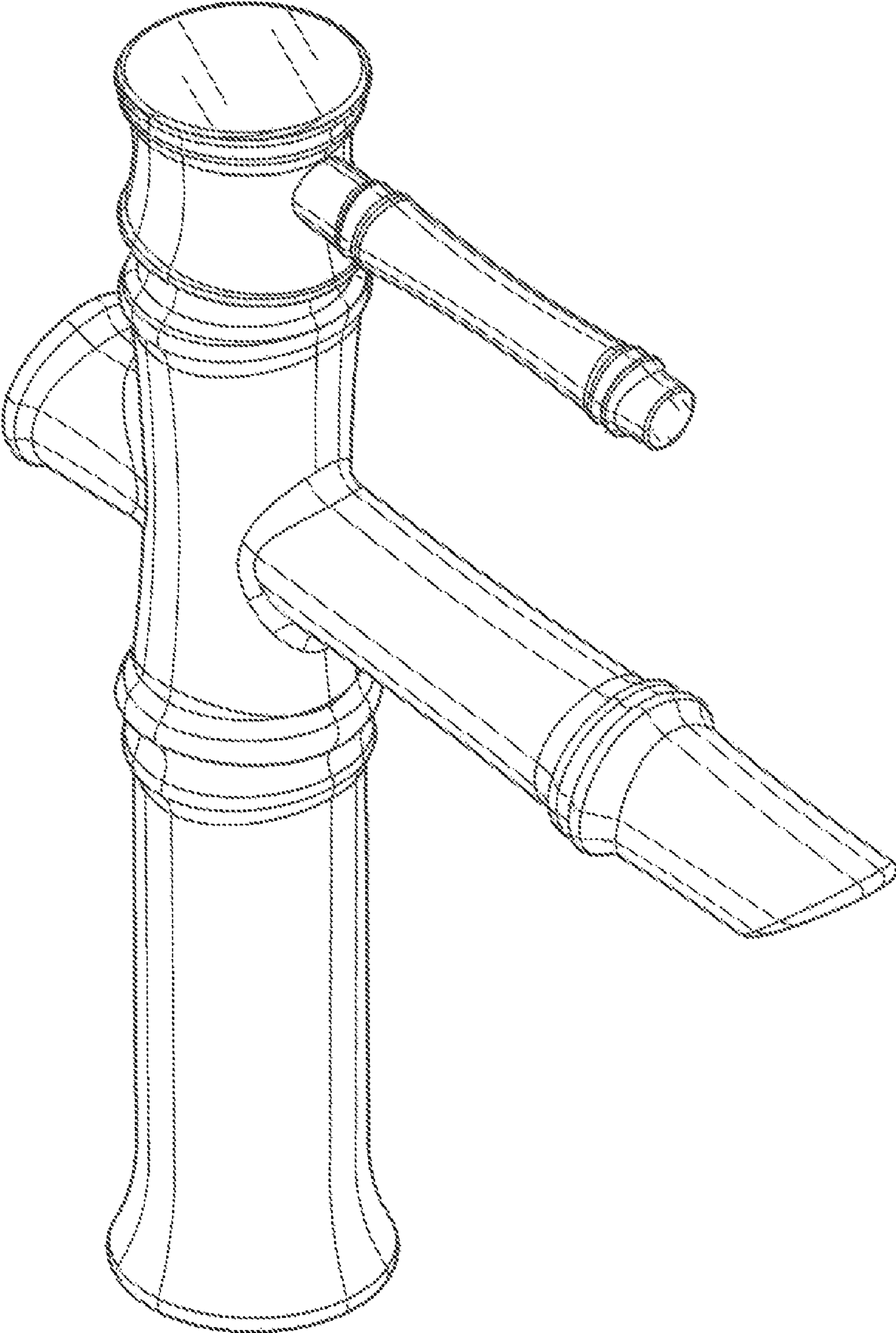


FIG. 1

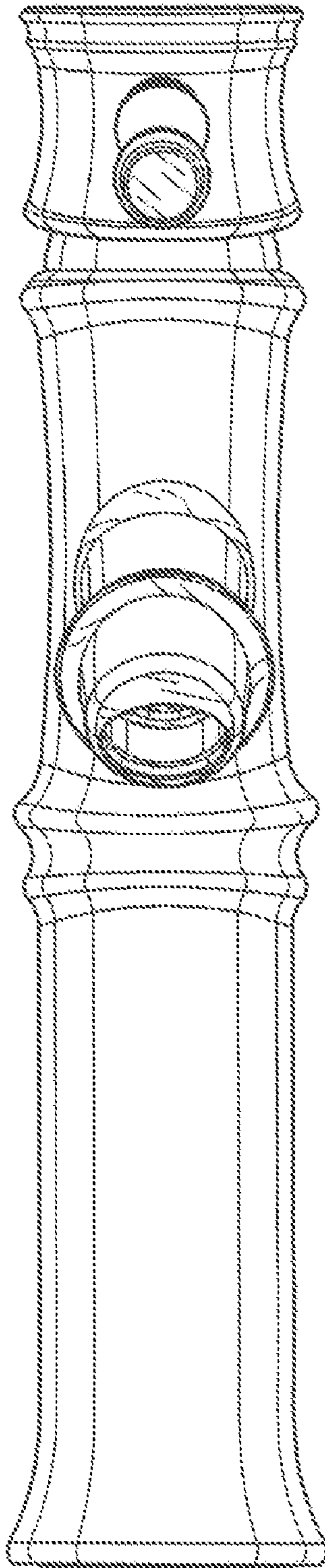


FIG. 2

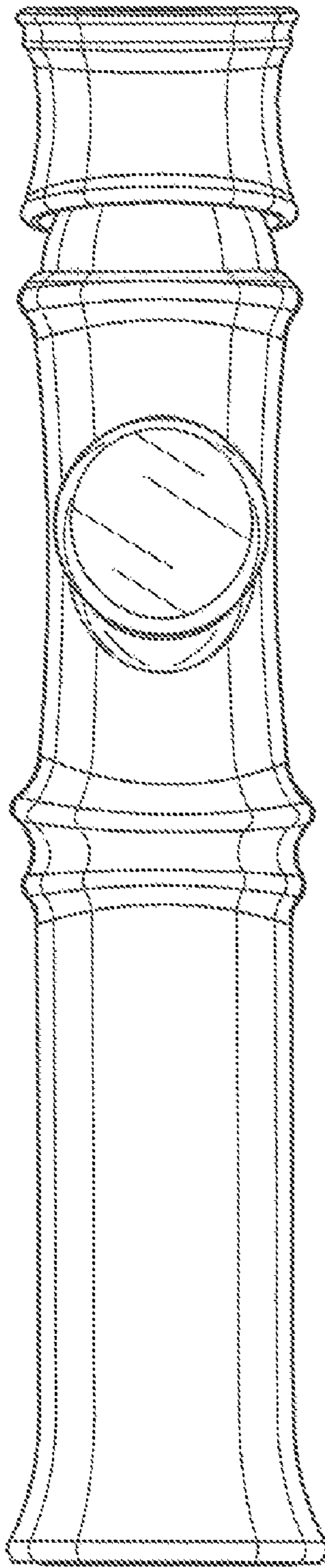


FIG. 3

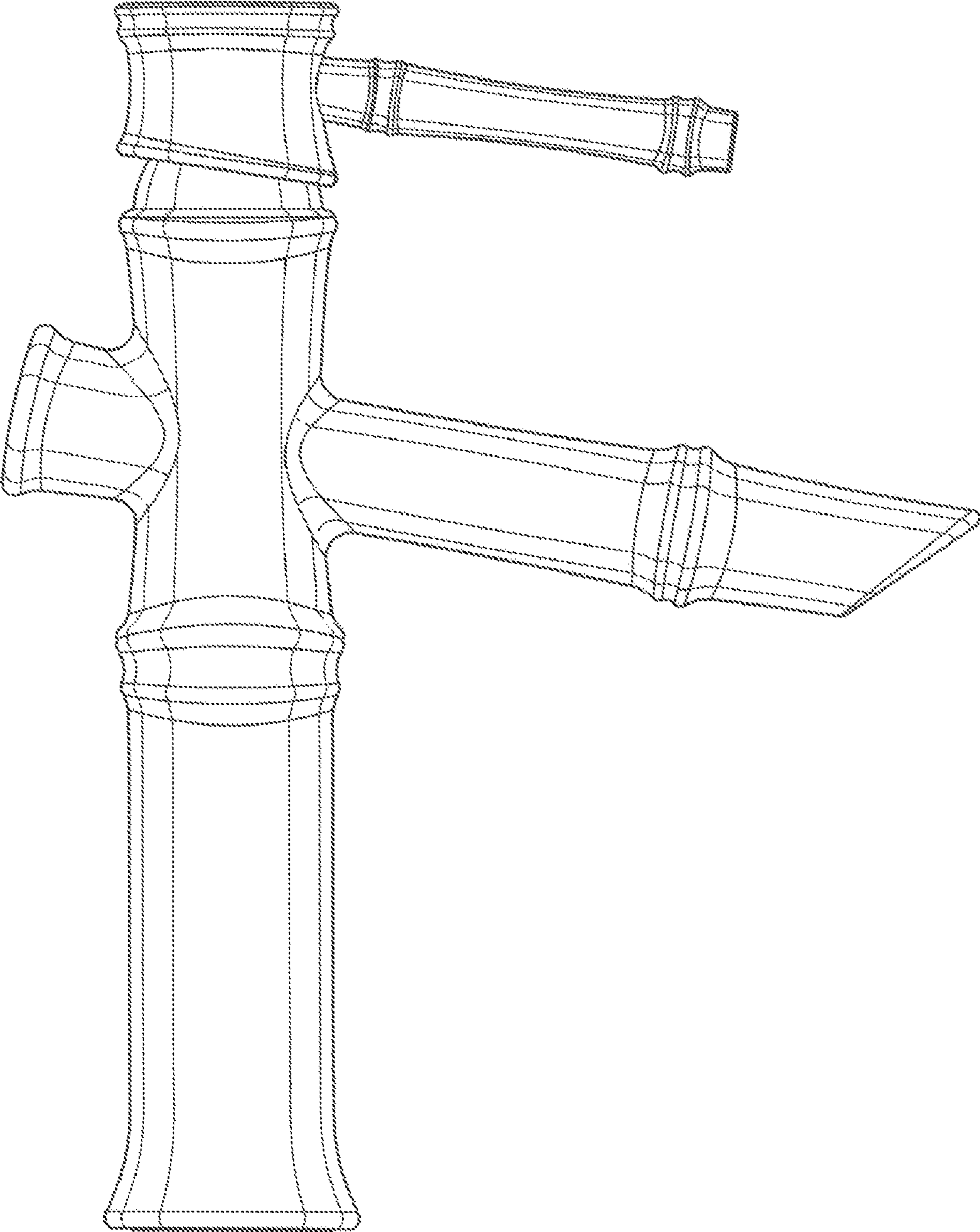


FIG. 4

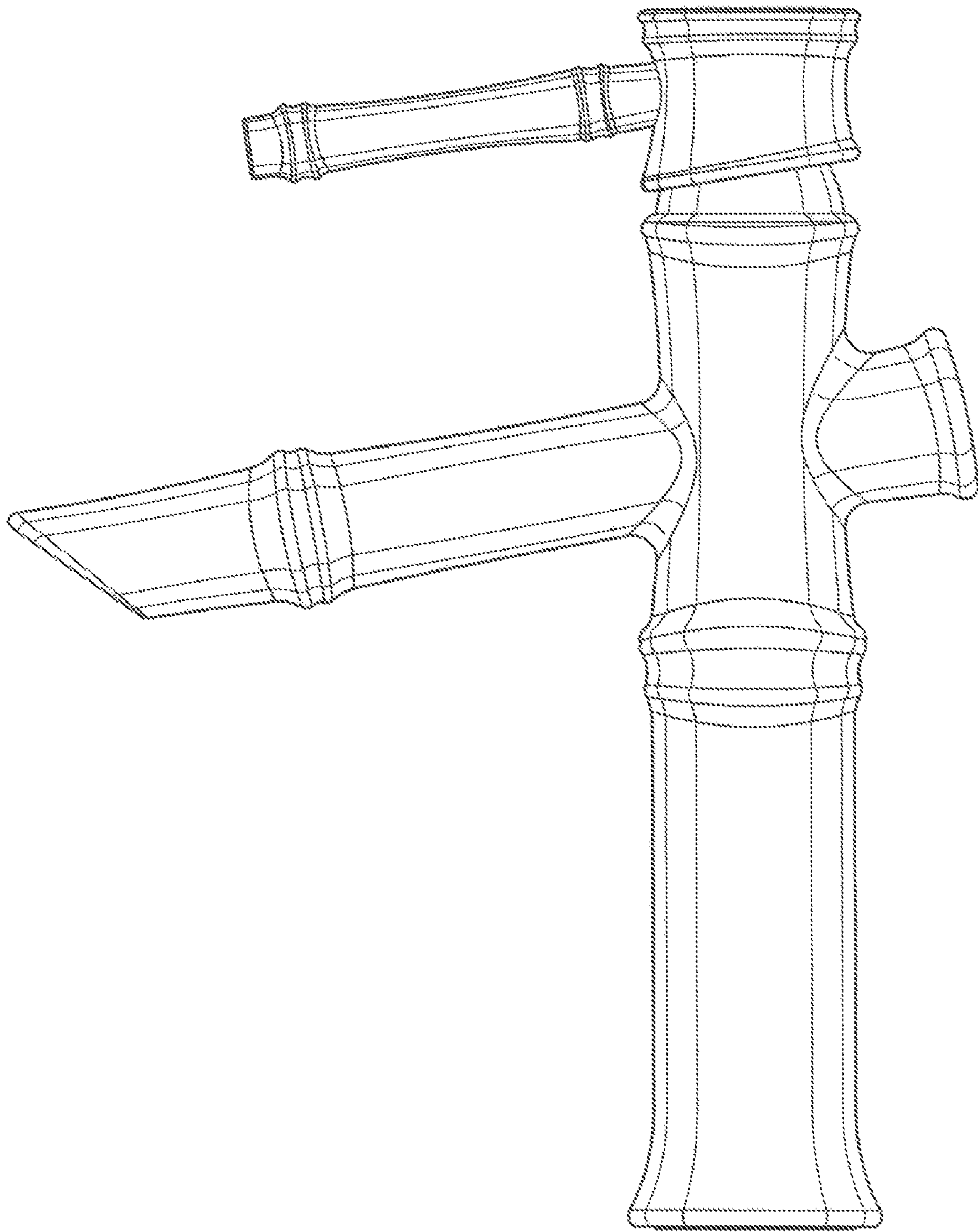


FIG. 5

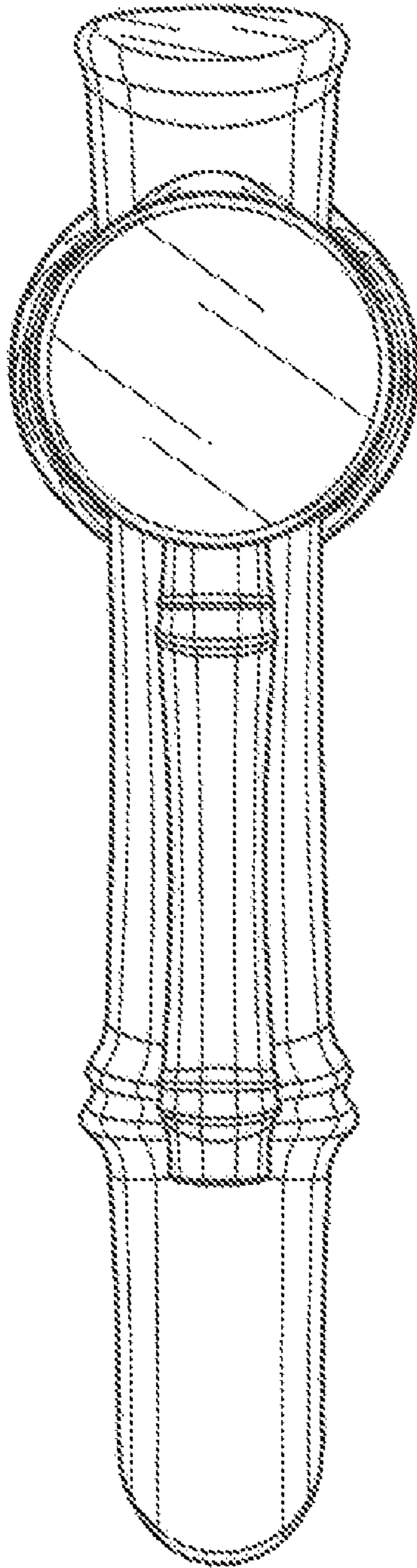


FIG. 6