



US00D572343S

(12) **United States Design Patent**
Huang

(10) **Patent No.:** **US D572,343 S**
(45) **Date of Patent:** **** Jul. 1, 2008**

(54) **SPRAY GUN HEAD**

4,767,057 A * 8/1988 Degli et al. 239/296
7,237,727 B2 * 7/2007 Wang 239/291

(75) Inventor: **Tiao-Hsiang Huang**, Taipei Hsien (TW)

* cited by examiner

(73) Assignee: **Kuan Chang Co., Ltd.**, Taipei County (TW)

Primary Examiner—Robin V Webster
(74) *Attorney, Agent, or Firm*—WPAT, P.C.; Anthony King

(**) Term: **14 Years**

(57) **CLAIM**

(21) Appl. No.: **29/298,638**

I claim, the ornamental design for a spray gun head, as shown and described.

(22) Filed: **Dec. 10, 2007**

(51) **LOC (8) Cl.** **23-01**
(52) **U.S. Cl.** **D23/229; D23/213**
(58) **Field of Classification Search** D23/213,
D23/223, 226, 225, 229; 361/227-228; 239/296,
239/600

DESCRIPTION

See application file for complete search history.

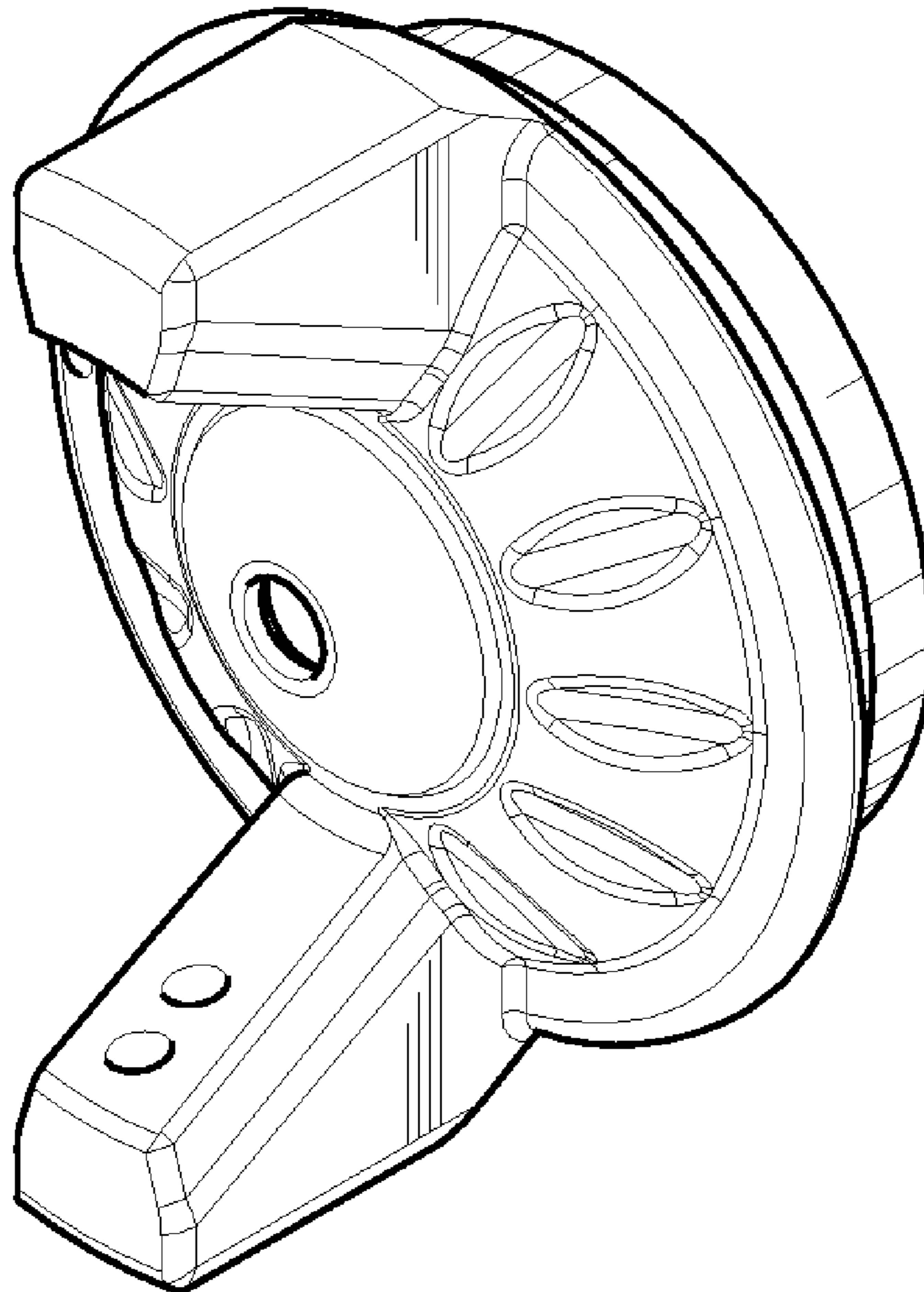
FIG. 1 is a perspective view of a spray gun head showing my present design;
FIG. 2 is a front view thereof;
FIG. 3 is a rear view thereof;
FIG. 4 is a left view thereof;
FIG. 5 is a right view thereof;
FIG. 6 is a top plan view thereof; and,
FIG. 7 is a bottom plan view.

(56) **References Cited**

U.S. PATENT DOCUMENTS

1,717,086 A * 6/1929 Binks 239/296
2,646,314 A * 7/1953 Peeps 239/296
3,252,657 A * 5/1966 Winegar 239/296

1 Claim, 4 Drawing Sheets



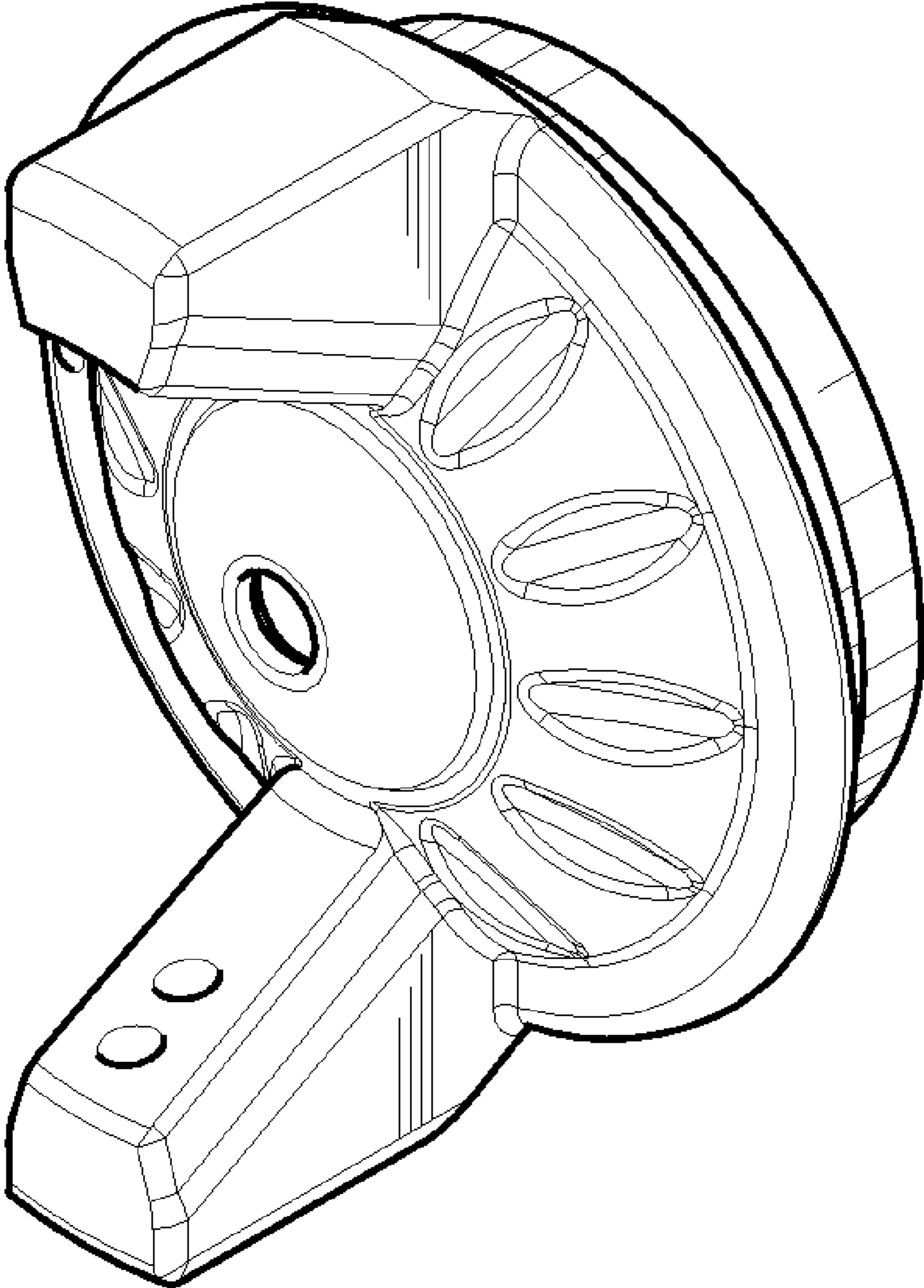


FIG. 1

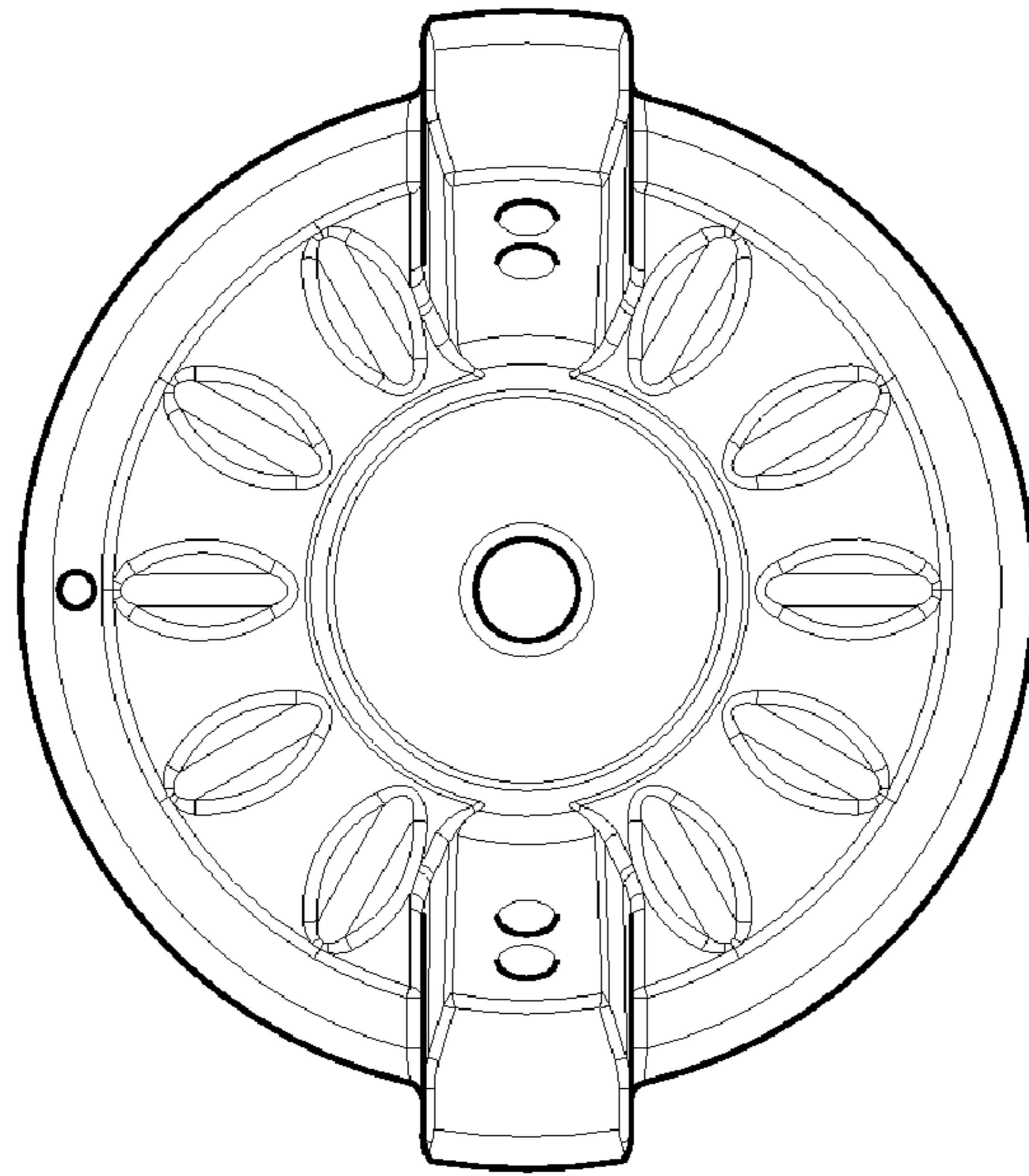


FIG. 2

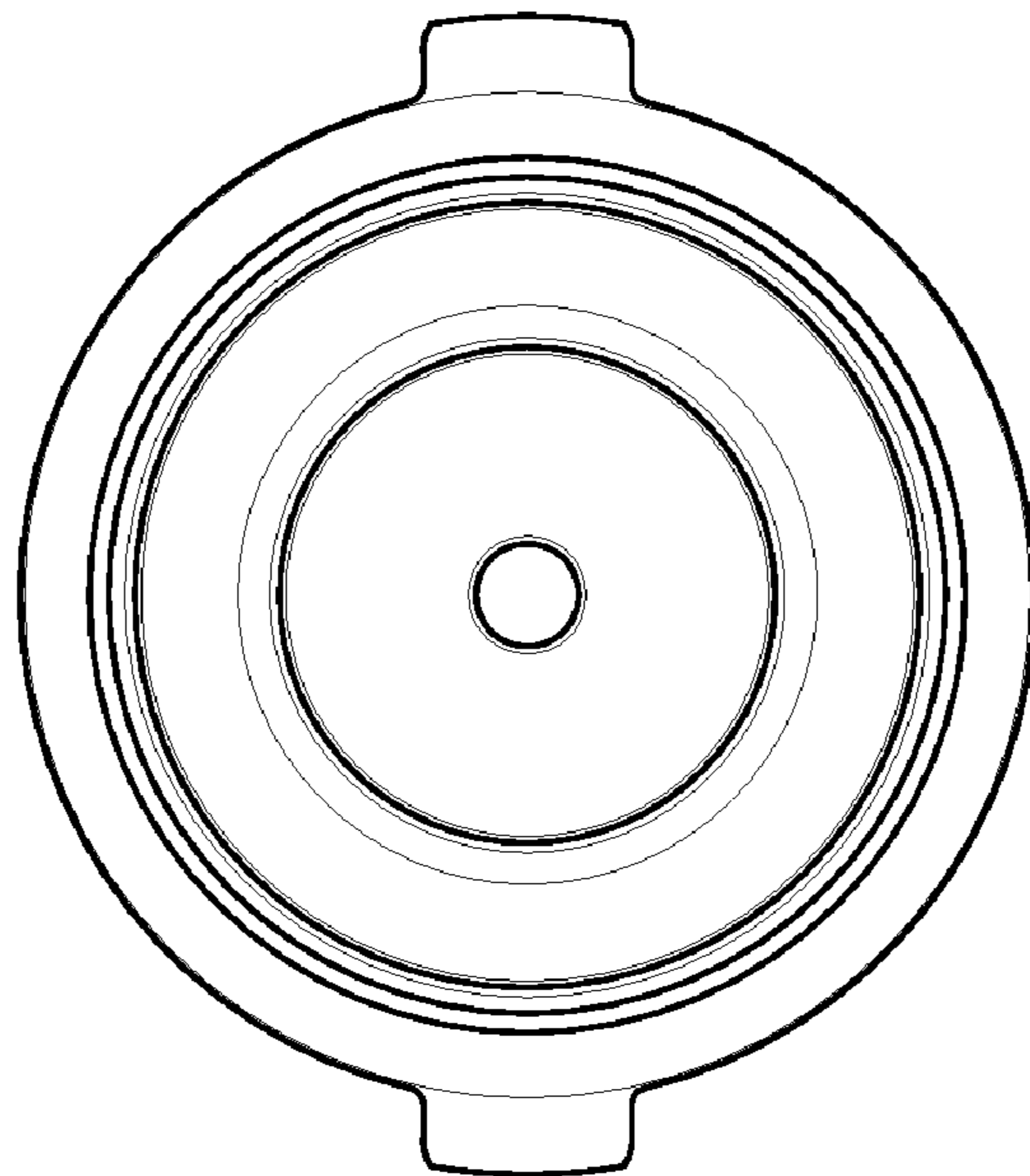


FIG. 3

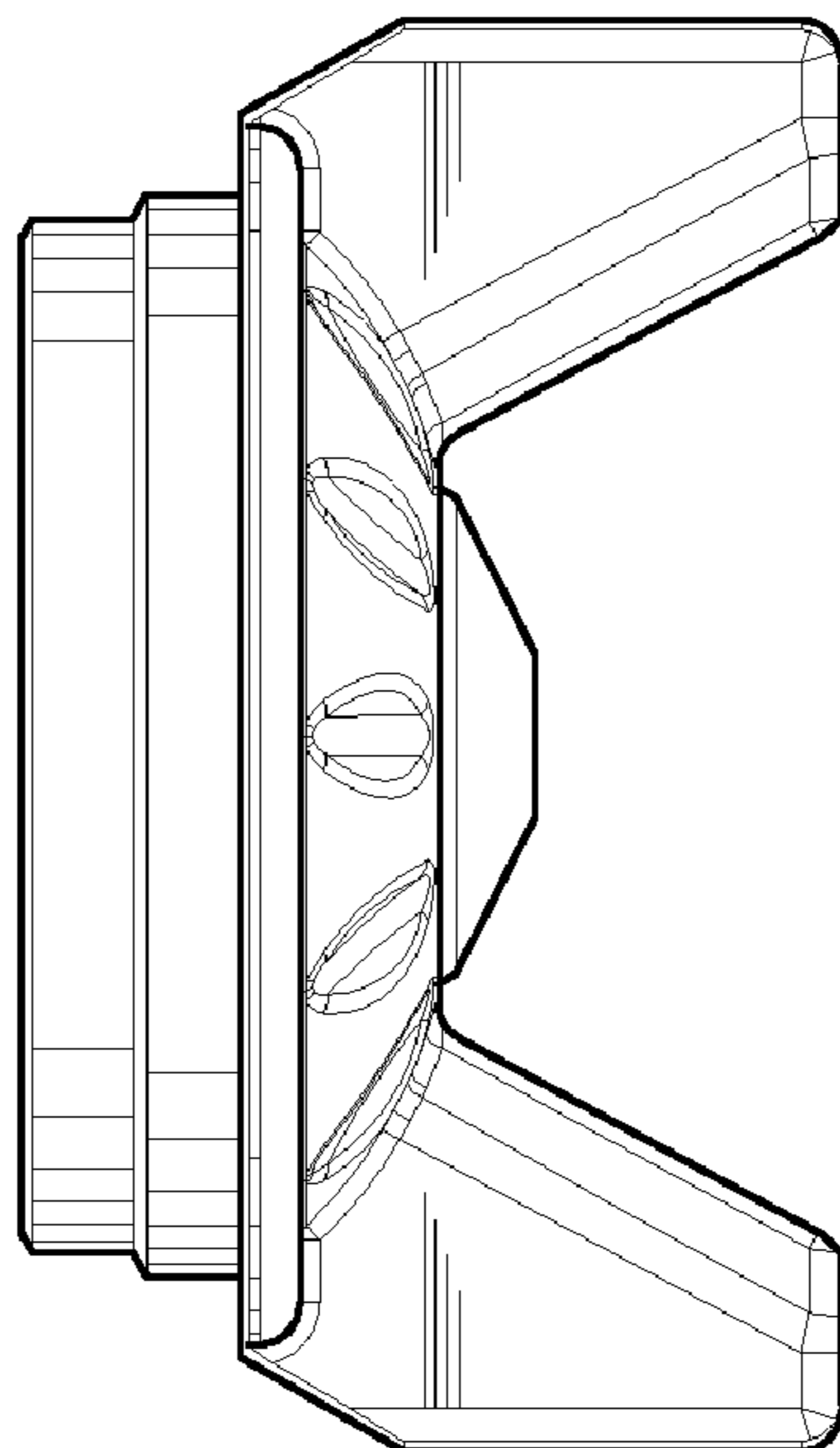


FIG. 4

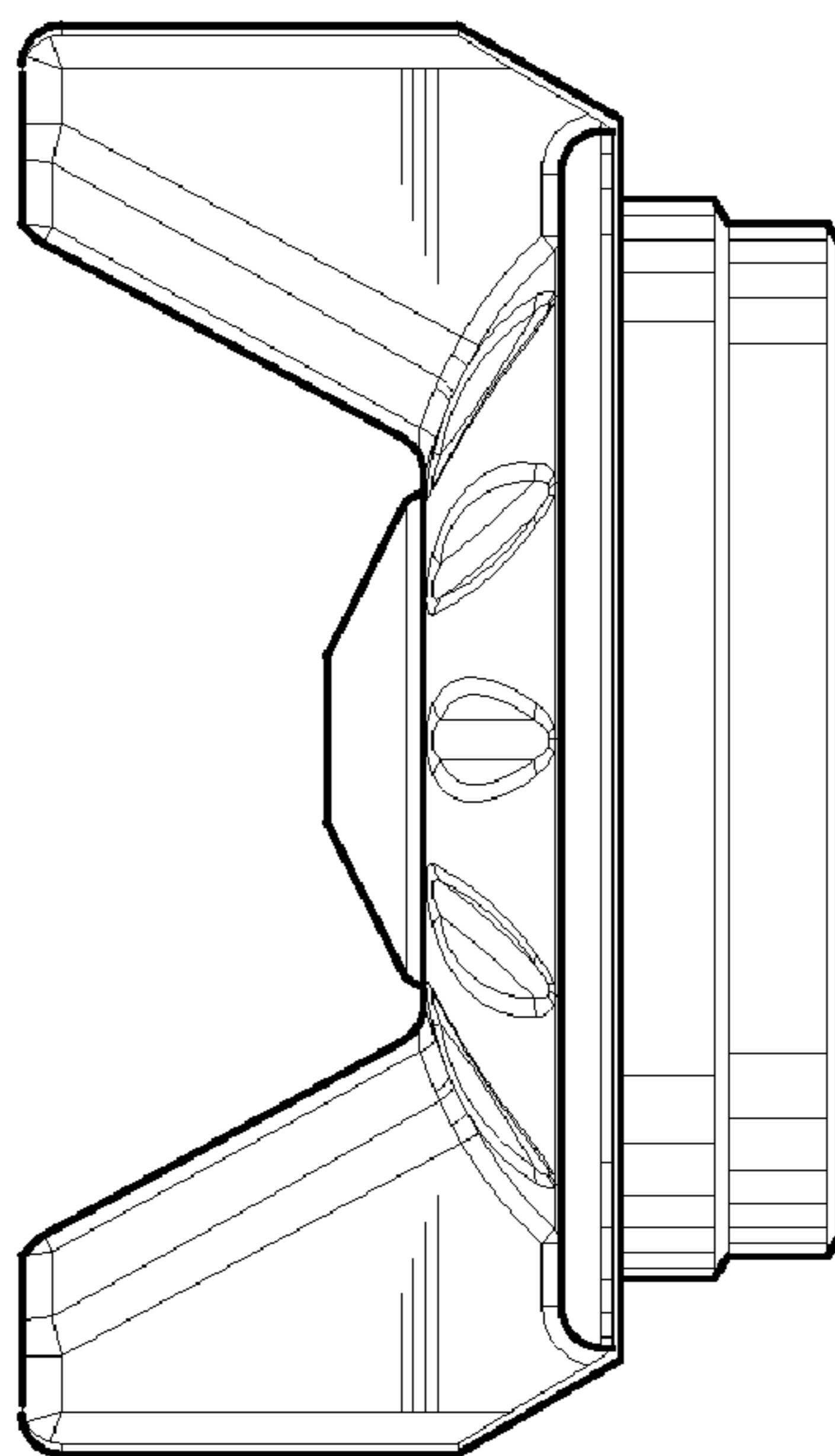


FIG. 5

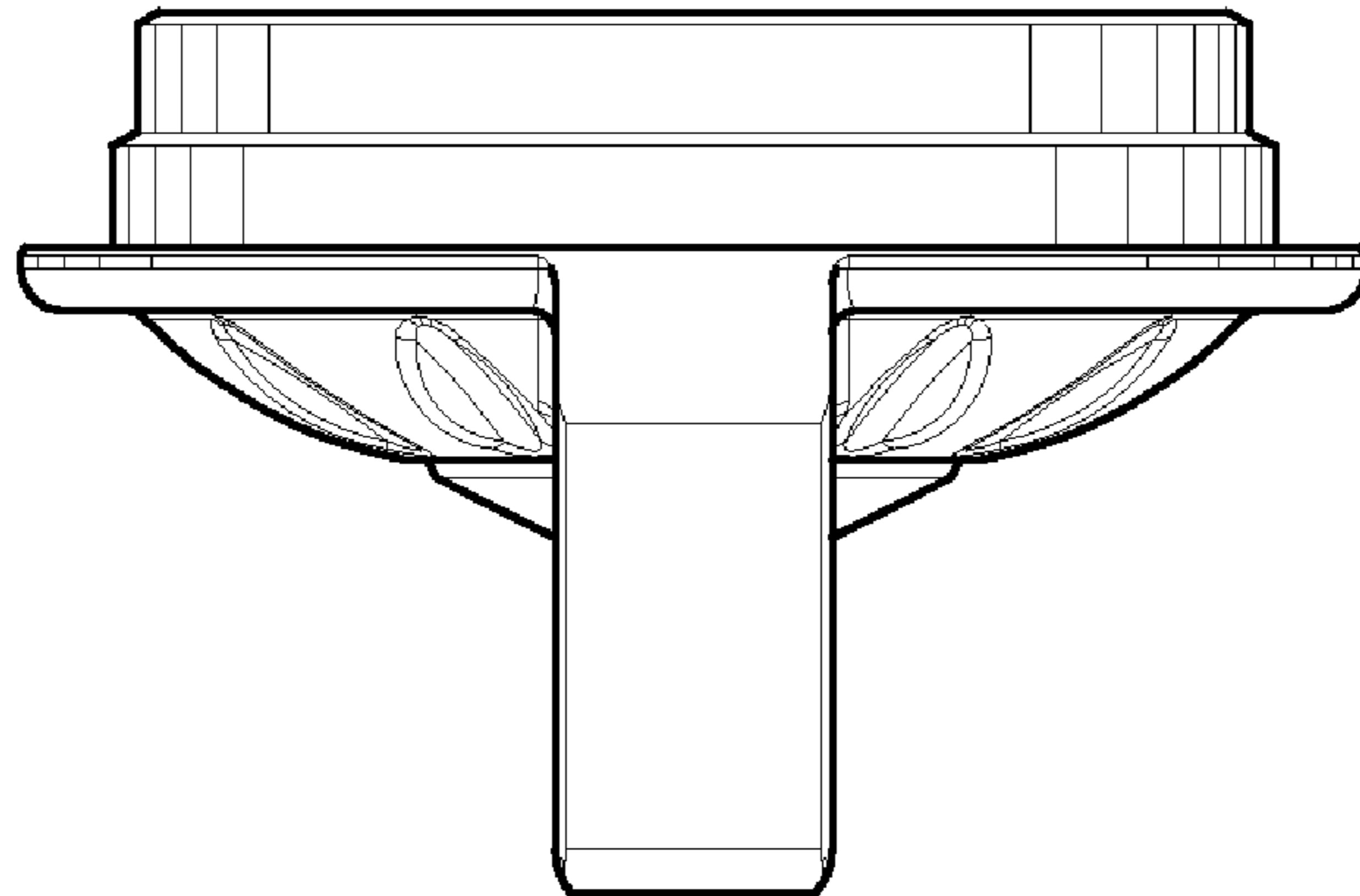


FIG. 6

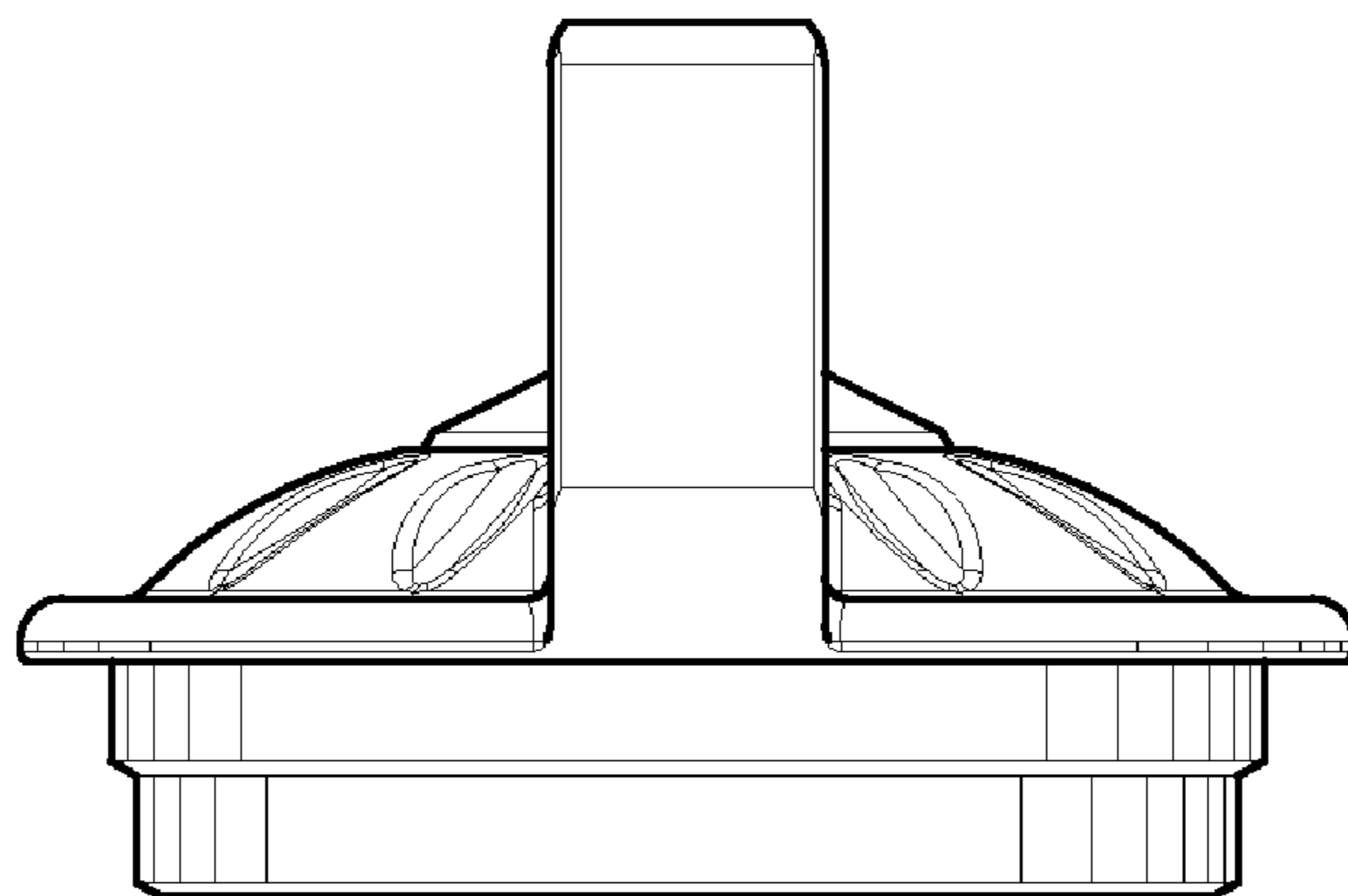


FIG. 7