



US00D572337S

(12) **United States Design Patent**  
**Rexach**

(10) **Patent No.:** **US D572,337 S**  
(45) **Date of Patent:** **\*\* Jul. 1, 2008**

(54) **PLUMBING FITTING**

(75) Inventor: **Rafael A. Rexach**, Kohler, WI (US)

(73) Assignee: **Kohler Co.**, Kohler, WI (US)

(\*\*) Term: **14 Years**

(21) Appl. No.: **29/295,984**

(22) Filed: **Oct. 11, 2007**

**Related U.S. Application Data**

(62) Division of application No. 29/250,586, filed on Nov. 22, 2006, now Pat. No. Des. 564,626.

(51) **LOC (8) Cl.** ..... **23-01**

(52) **U.S. Cl.** ..... **D23/213; D23/254**

(58) **Field of Classification Search** ..... D23/213,  
D23/223, 226, 254; 239/394, 462, 282-3;  
4/615, 675

See application file for complete search history.

(56) **References Cited**

**U.S. PATENT DOCUMENTS**

D467,300 S	12/2002	Singtoroj	
D500,837 S *	1/2005	Pinkston et al. ....	D23/213
D523,520 S	6/2006	Theberge	
D524,905 S	7/2006	Hoernig	
D534,987 S *	1/2007	Eilmus .....	D23/223
D538,396 S *	3/2007	Eilmus .....	D23/223
D560,752 S *	1/2008	Rexach et al. ....	D23/213

**OTHER PUBLICATIONS**

Kohler Co. "Memoirs Multifunction Showerhead in Vibrant Brushed Nickel". Model No. K-444-BM. Kohler Co. catalog.

Kohler Co. "Memoirs Single-Function showerhead with Stately Design". Model No. K-449. Kohler Co. online catalog. Copyright 2006 Kohler Co.

Harden. "Old Style Shower Head". Model No. 2A. Harden catalog. Copyright Aug. 1989.

\* cited by examiner

*Primary Examiner*—Robin V Webster

(74) *Attorney, Agent, or Firm*—Quarles & Brady LLP

(57) **CLAIM**

The ornamental design for a plumbing fitting, as shown and described.

**DESCRIPTION**

In a preferred embodiment, the nature of this product is as a plumbing fitting in the form of a showerhead, or a support arm therefore, primary useful for washing body parts.

FIG. 1 is a left, top, front perspective view of a plumbing fitting according to my new design;

FIG. 2 is a left side elevational view thereof, the right side elevational view thereof being a mirror image of the left side shown;

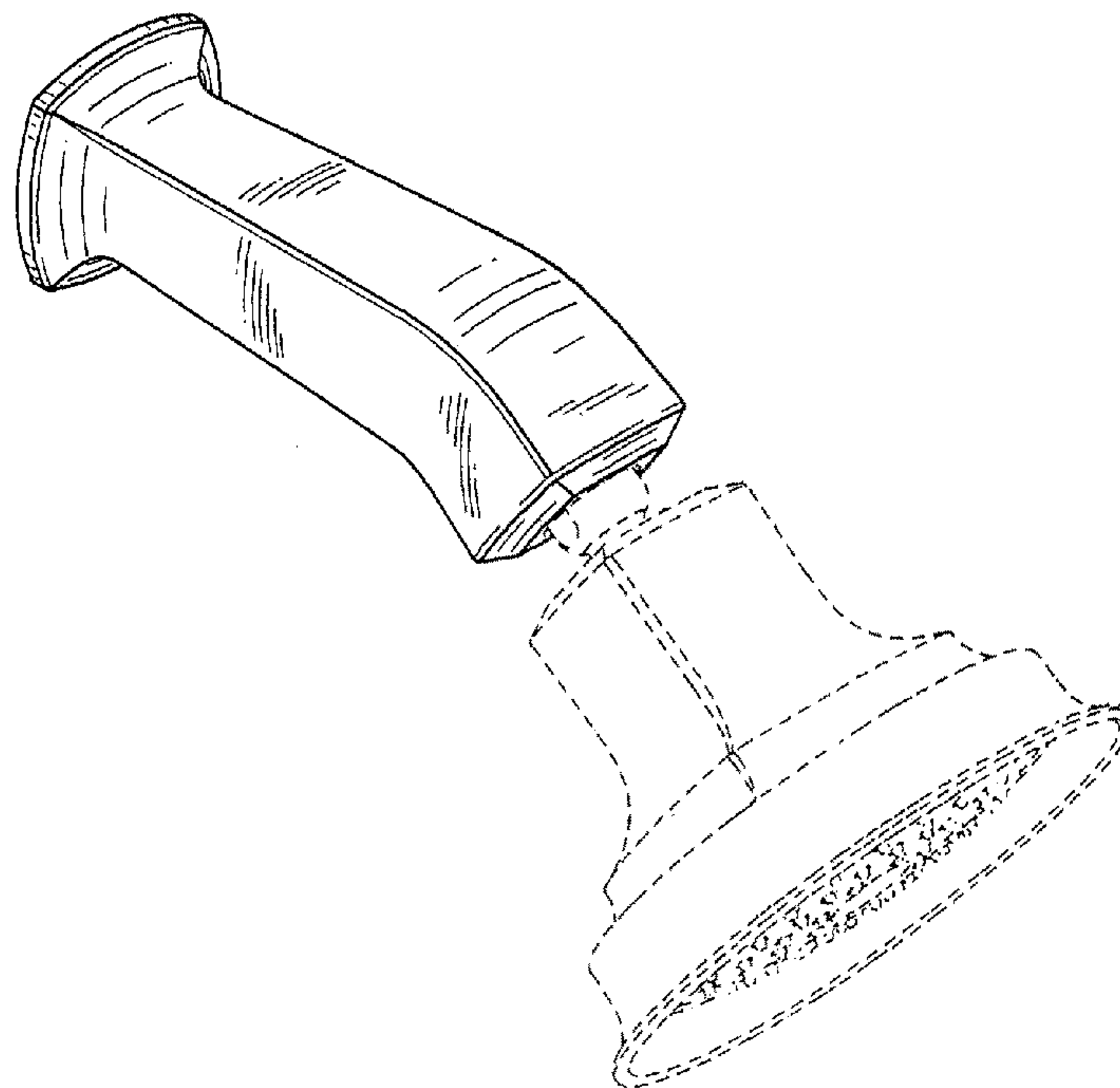
FIG. 3 is a top plan view thereof;

FIG. 4 is a front elevational view thereof; and,

FIG. 5 is a bottom plan view thereof.

The broken line representations of showerhead environment in FIGS. 1-5, are for the purpose of illustration only, and form no part of the claimed design.

**1 Claim, 3 Drawing Sheets**



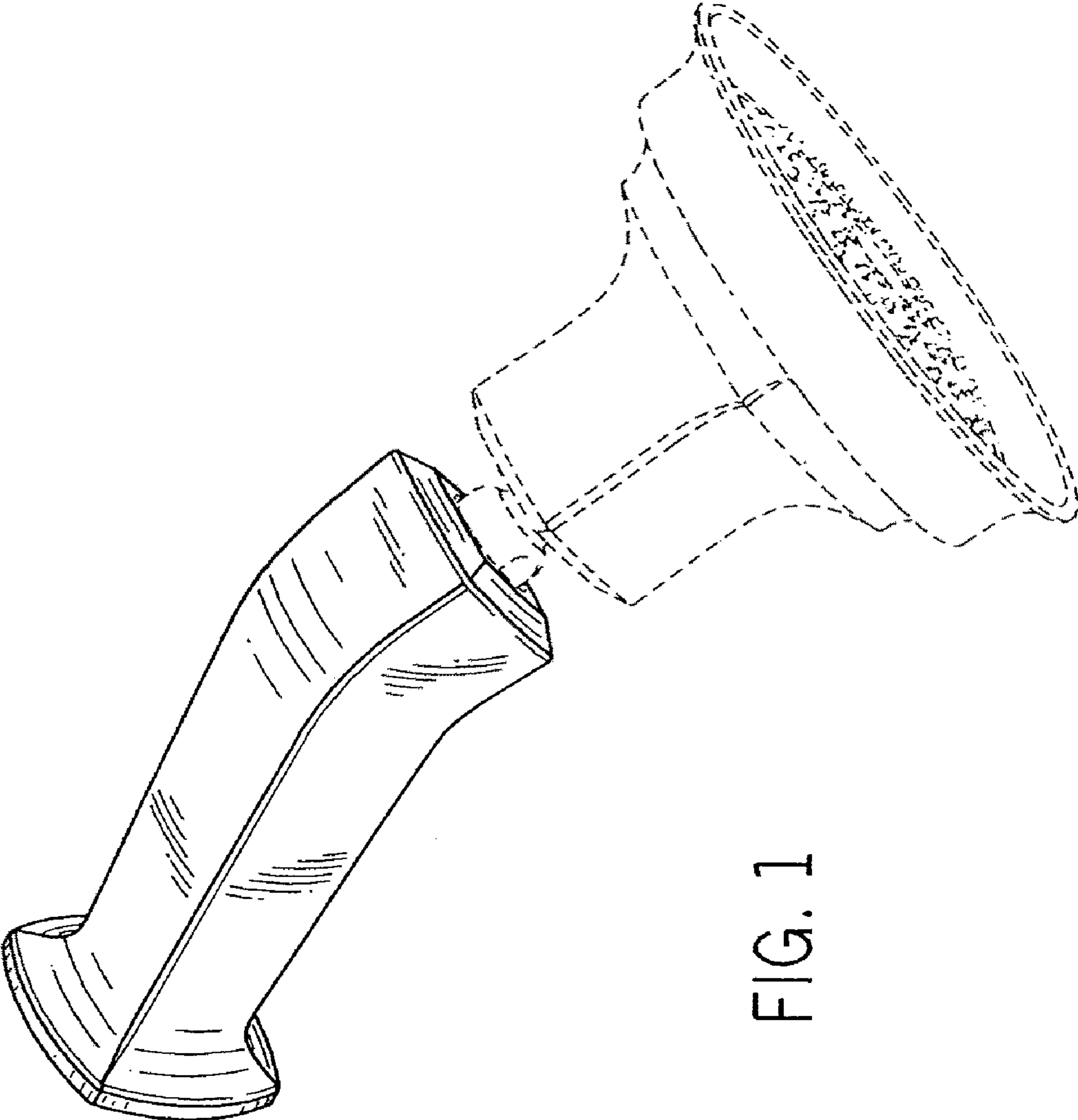


FIG. 1

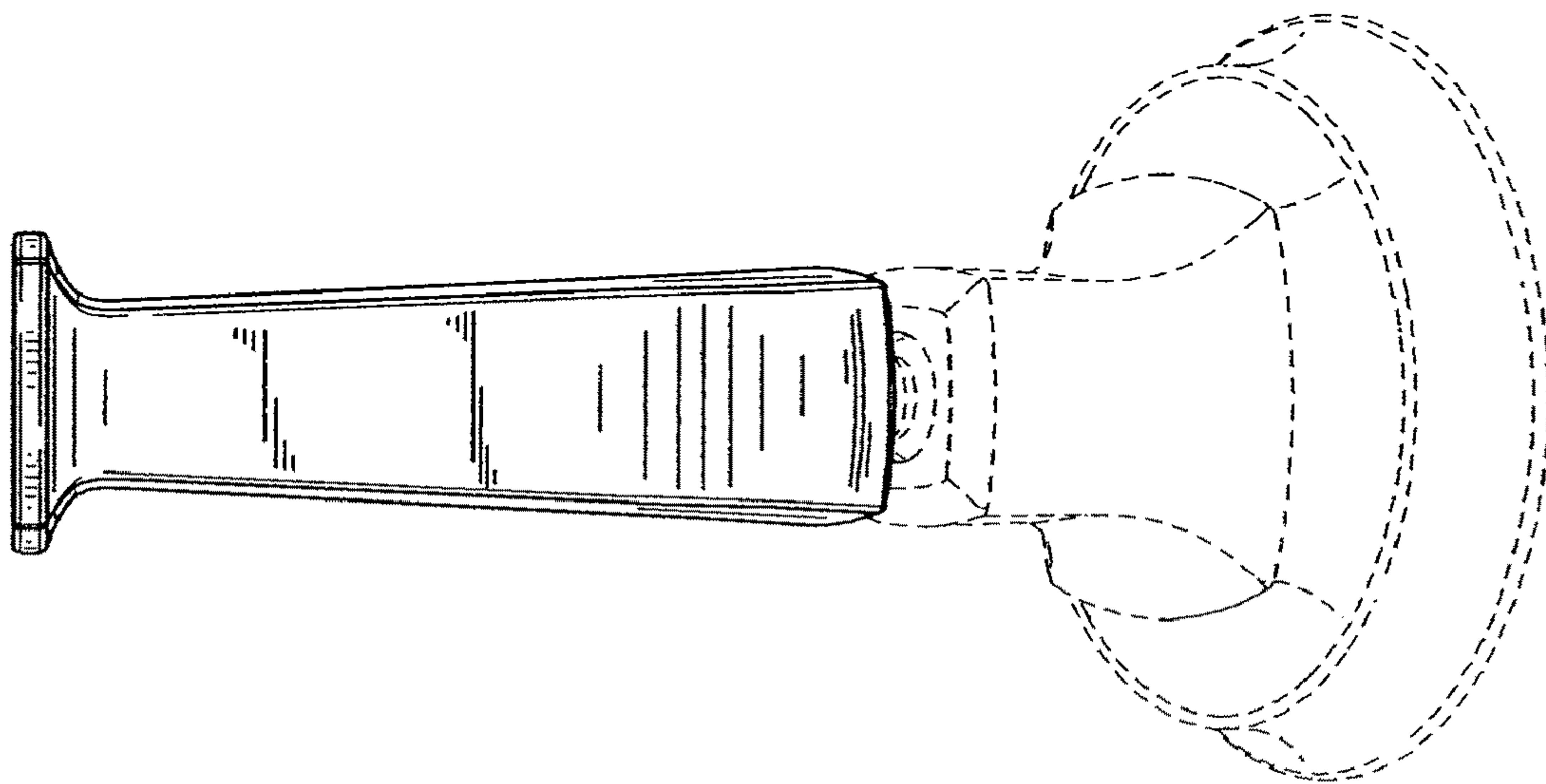
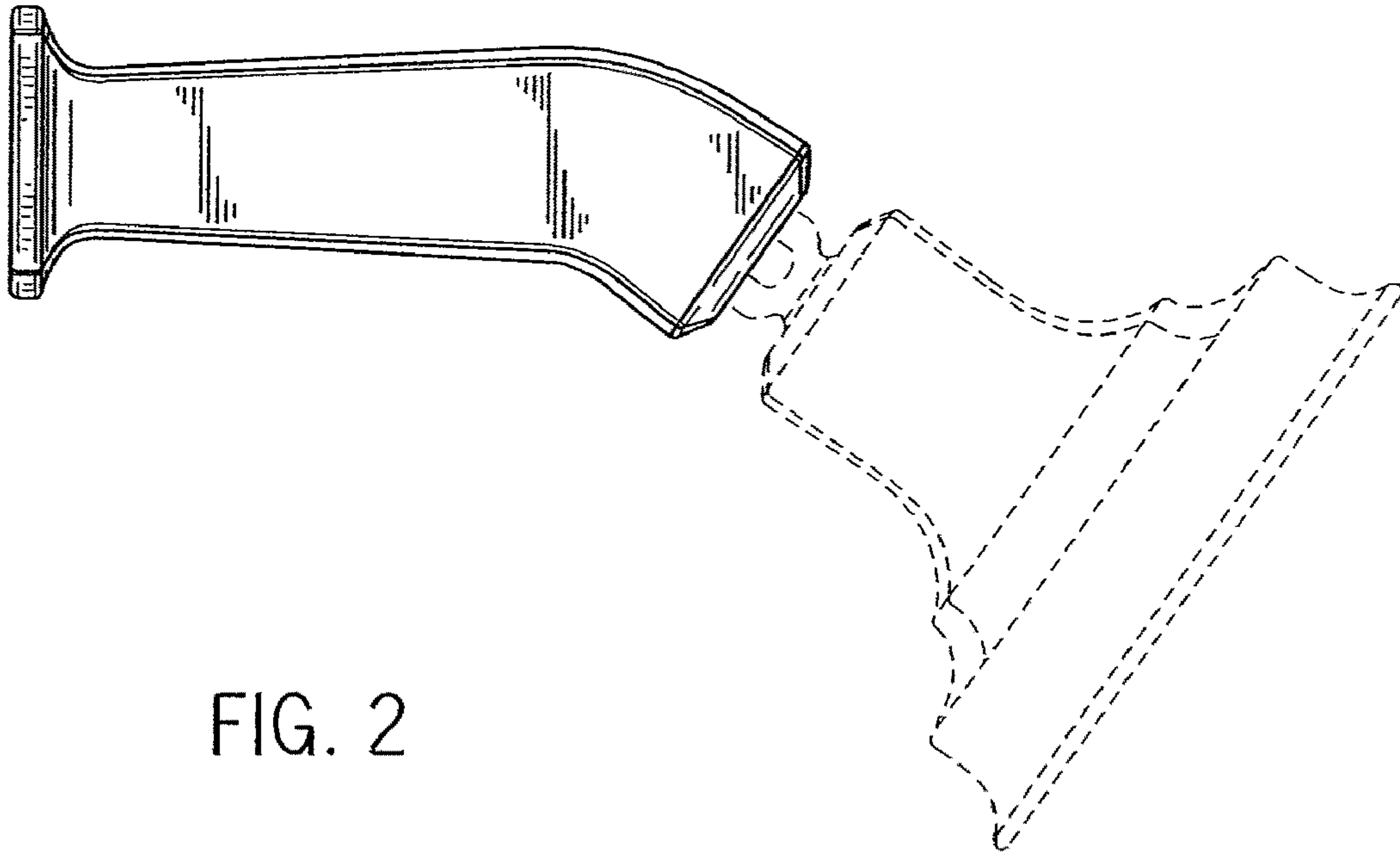


FIG. 4

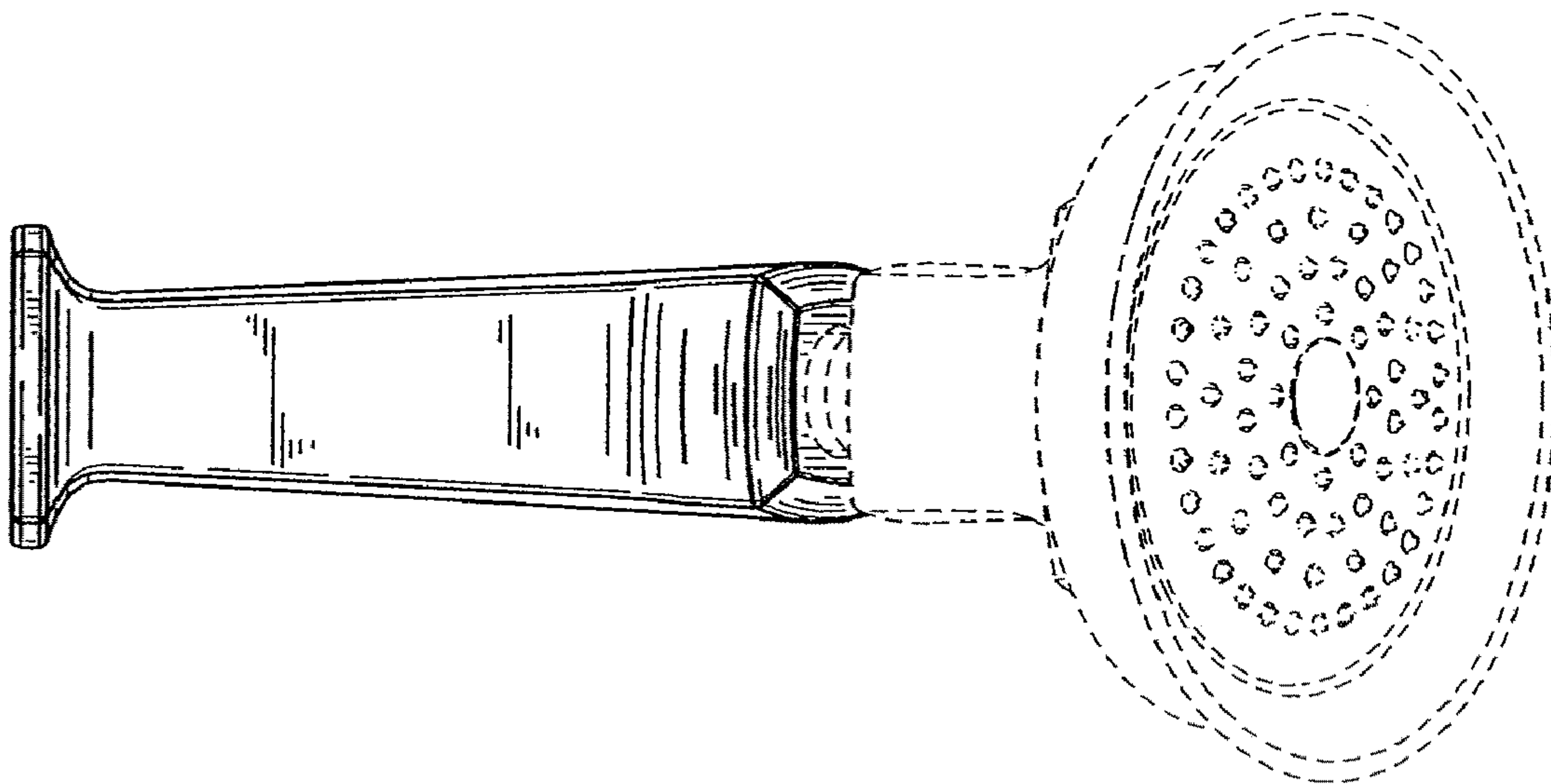
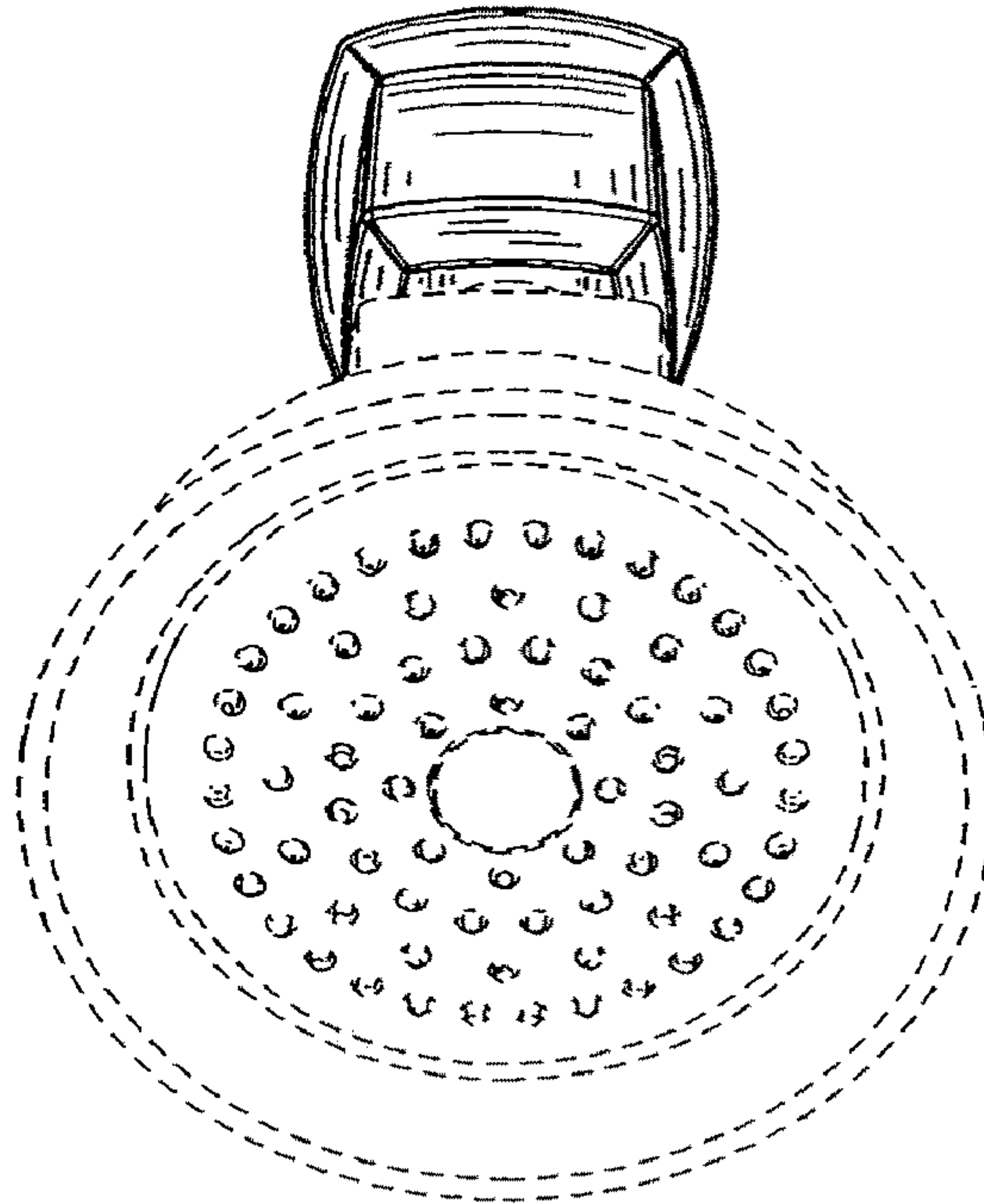


FIG. 5