



US00D572336S

(12) **United States Design Patent**
Asano et al.

(10) **Patent No.:** **US D572,336 S**
(45) **Date of Patent:** **** Jul. 1, 2008**

(54) **FISHING REEL BODY**

(75) Inventors: **Shinichi Asano**, Masashino (JP); **Akio Sekimoto**, Higashikurume (JP); **Wataru Tsutsumi**, Higashikurume (JP)

(73) Assignee: **Daiwa Seiko, Inc.**, Higashikurume (JP)

(**) Term: **14 Years**

(21) Appl. No.: **29/295,973**

(22) Filed: **Oct. 11, 2007**

(30) **Foreign Application Priority Data**

Apr. 13, 2007 (JP) 2007-009987

(51) **LOC (8) Cl.** **22-05**

(52) **U.S. Cl.** **D22/140**

(58) **Field of Classification Search** D22/141,
D22/140, 137-139; 242/234-240, 310-319;
43/19-22

See application file for complete search history.

(56) **References Cited**

U.S. PATENT DOCUMENTS

D436,645 S * 1/2001 Kim et al. D22/140

D476,715 S * 7/2003 Robbins et al. D22/140
D500,547 S * 1/2005 Gray D22/140
D502,754 S * 3/2005 Tao D22/140
D521,104 S * 5/2006 Wong D22/140

* cited by examiner

Primary Examiner—Catherine R Oliver

(74) *Attorney, Agent, or Firm*—Sughrue Mion, PLLC

(57) **CLAIM**

The ornamental design for a fishing reel body, as shown.

DESCRIPTION

FIG. 1 is a perspective view of the top, front, and left side of a fishing reel body showing our new design;

FIG. 2 is a perspective view of the top, rear and left side thereof;

FIG. 3 is a front elevational view thereof;

FIG. 4 is a rear elevational view thereof;

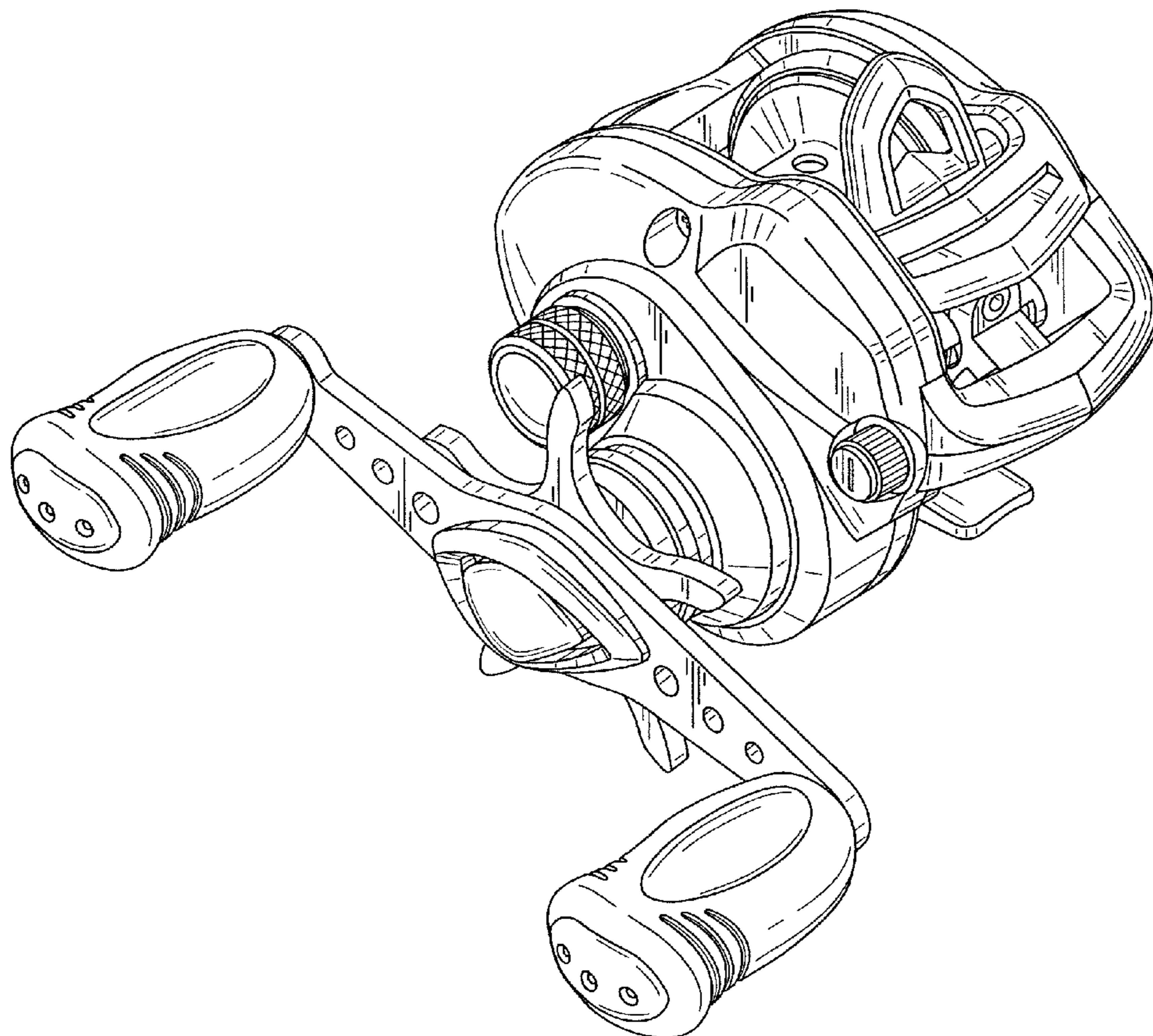
FIG. 5 is a top plan view thereof;

FIG. 6 is a bottom plan view thereof;

FIG. 7 is a left side elevational view thereof; and,

FIG. 8 is a right side elevational view thereof.

1 Claim, 6 Drawing Sheets



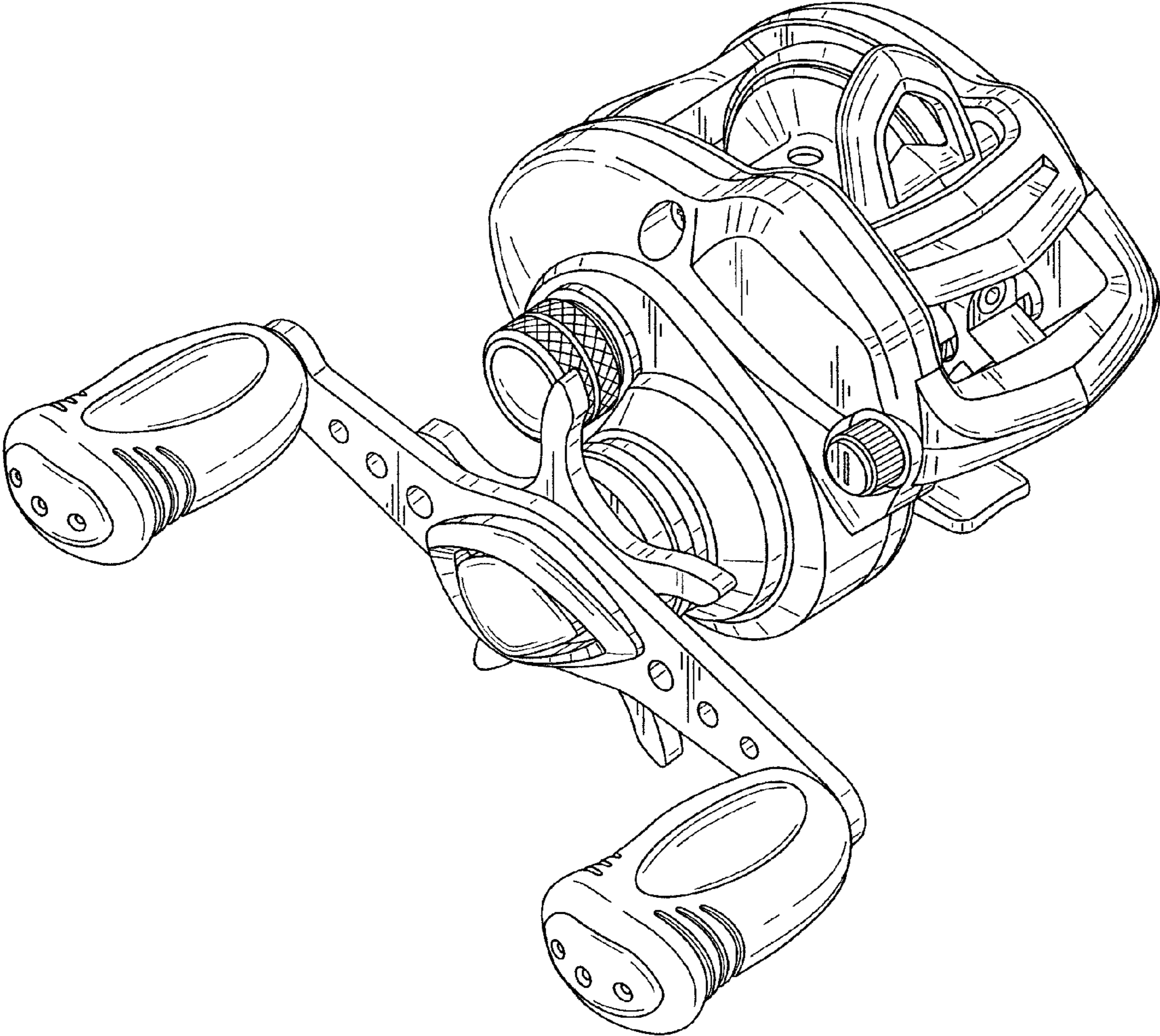


FIG. 1

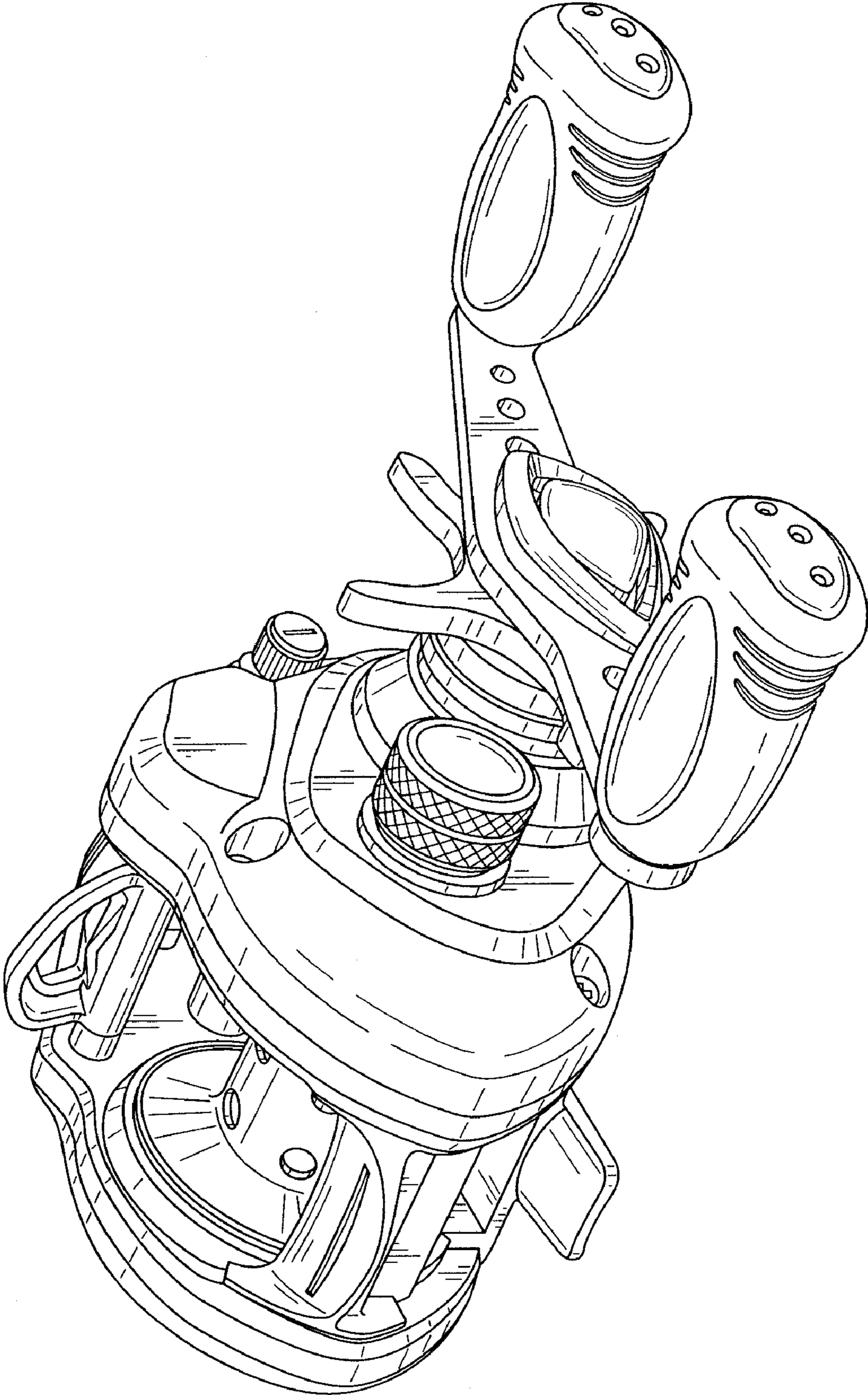


FIG. 2

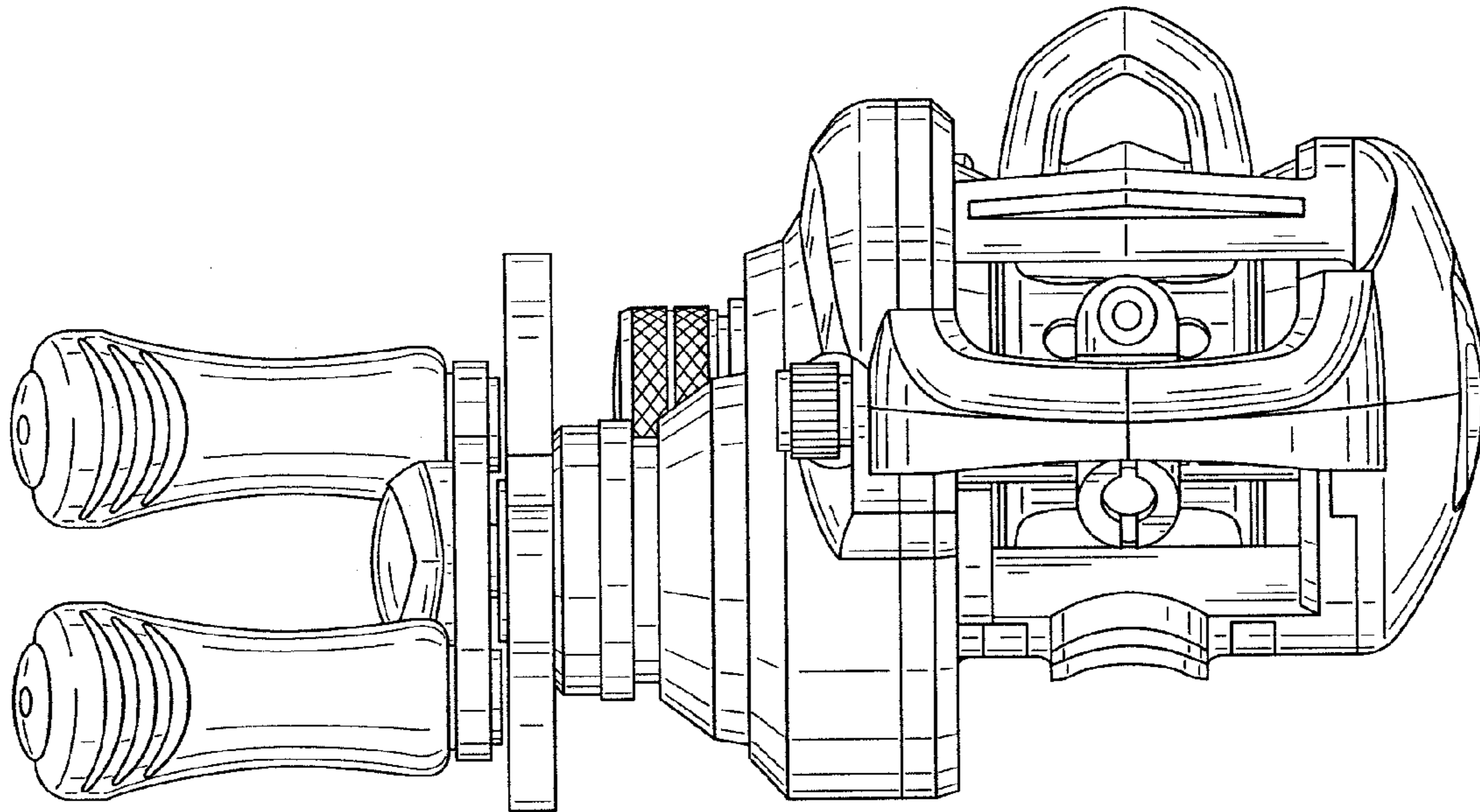


FIG. 3

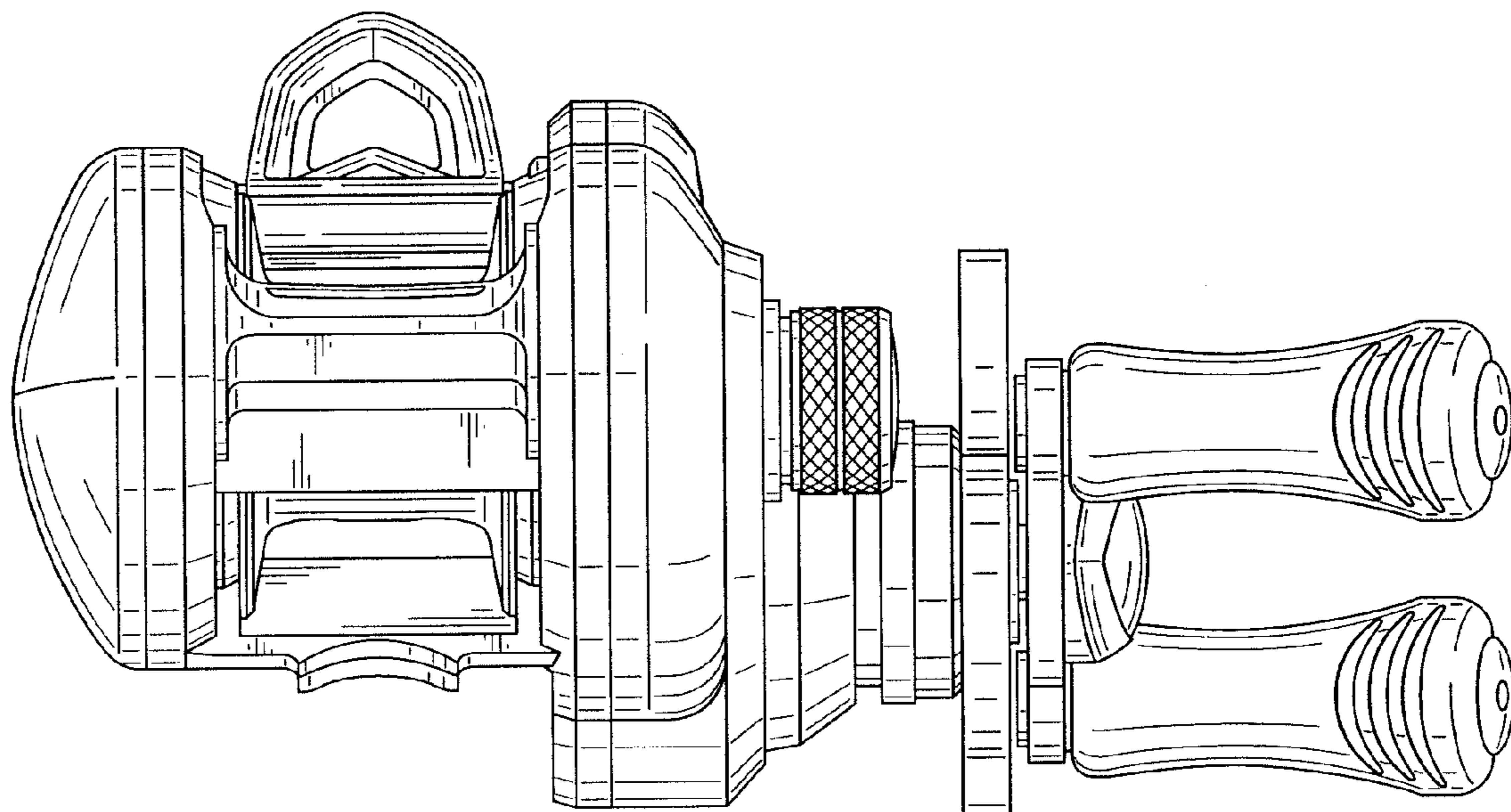


FIG. 4

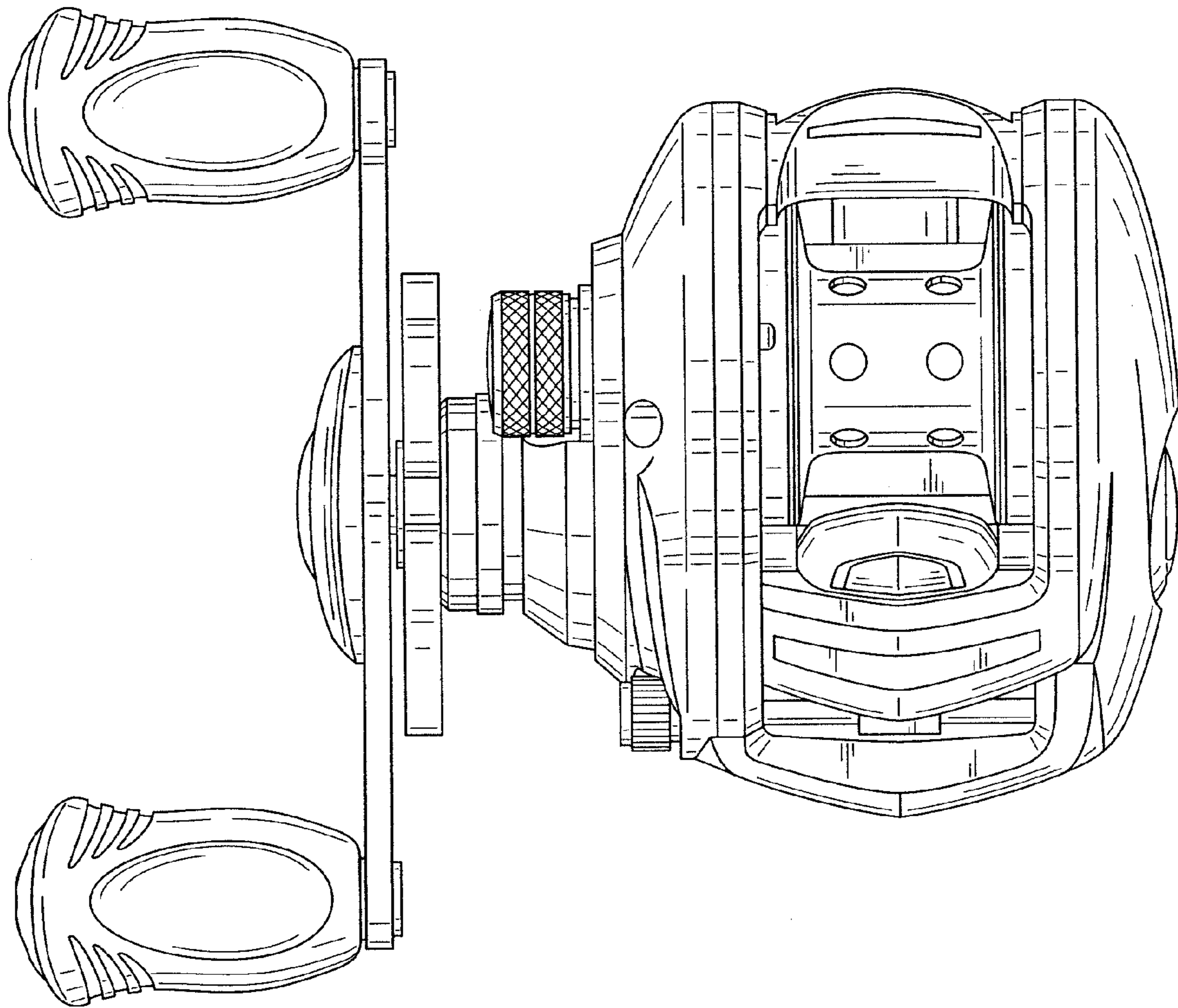


FIG. 5

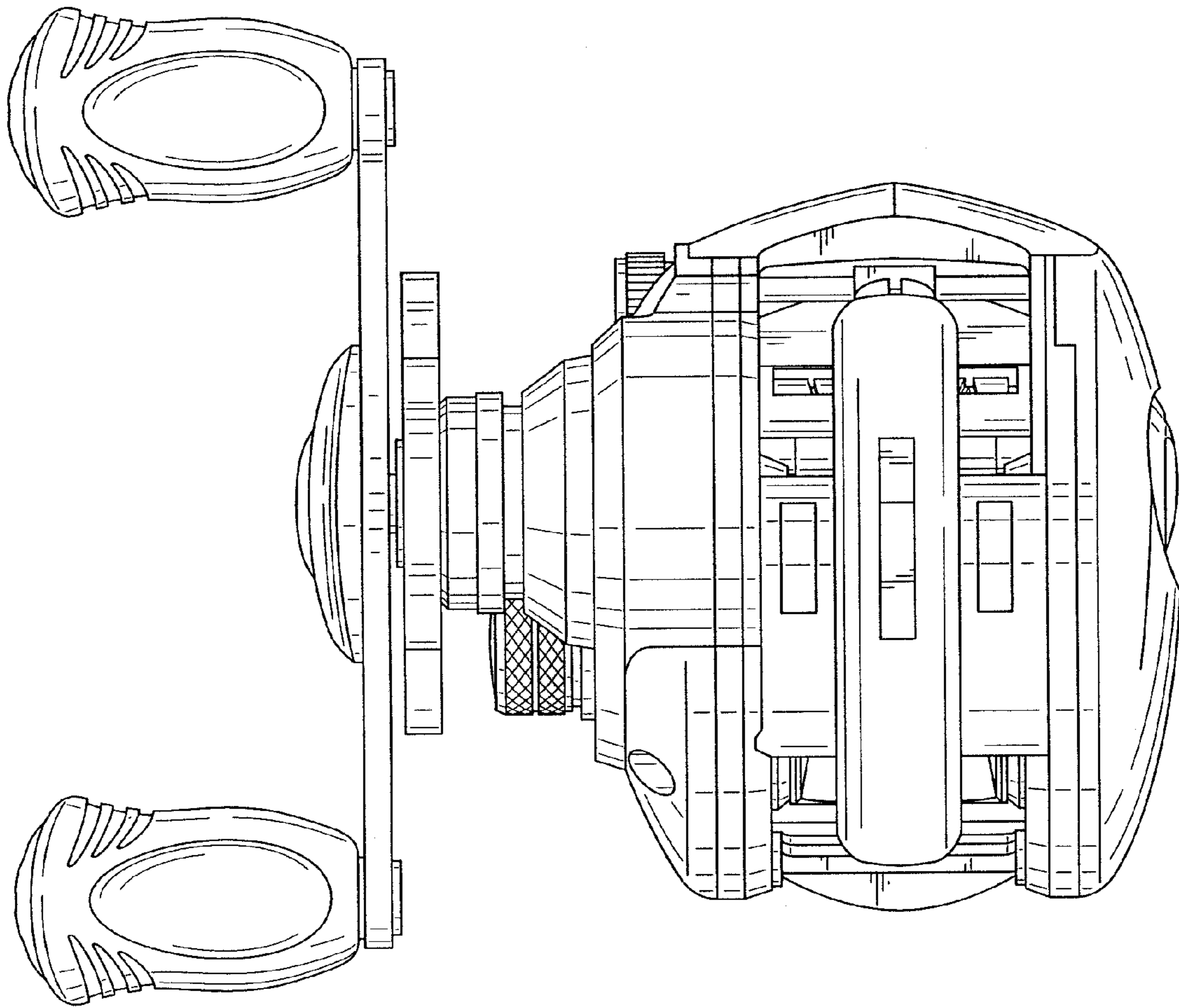


FIG. 6

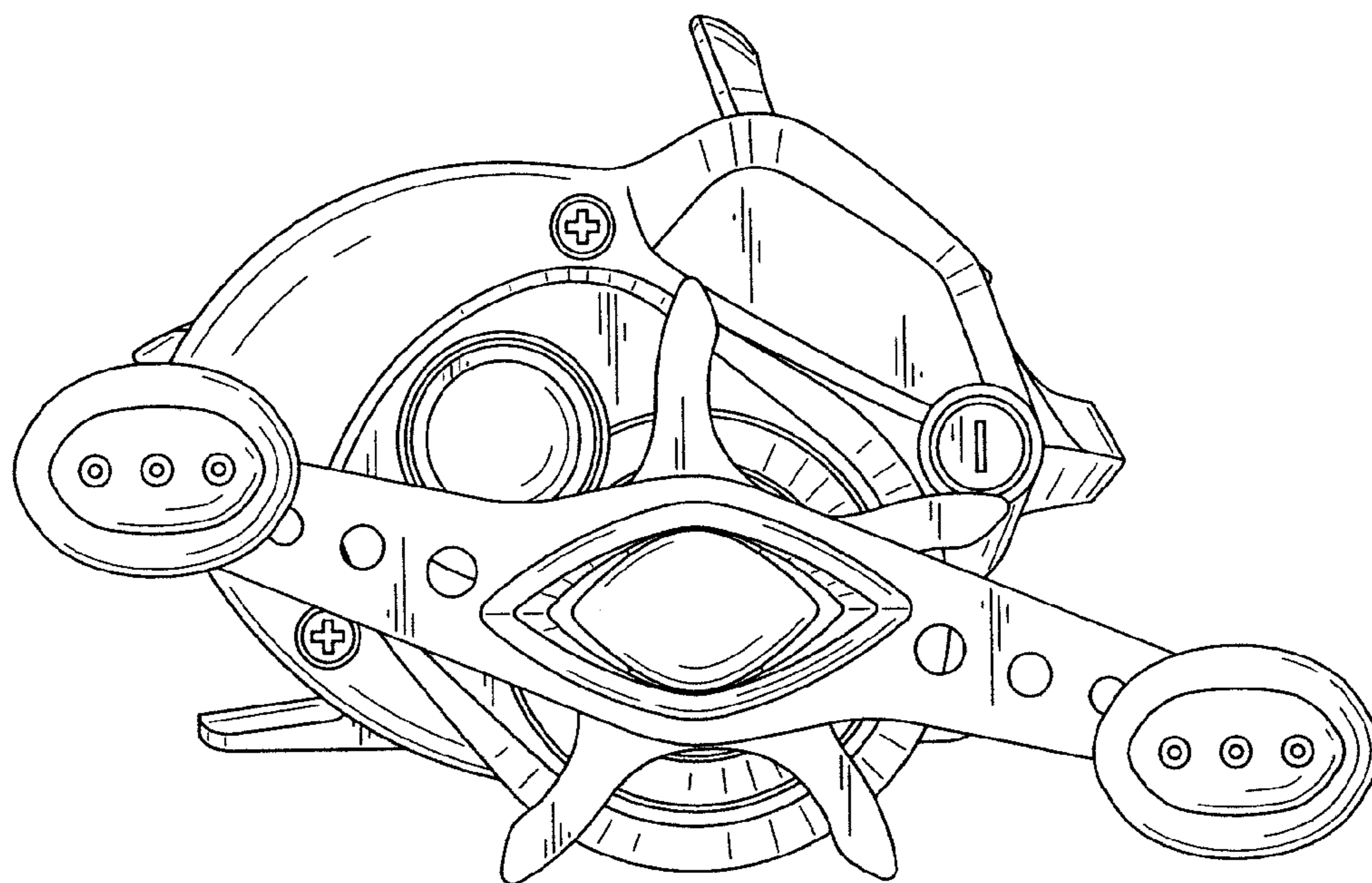


FIG. 7

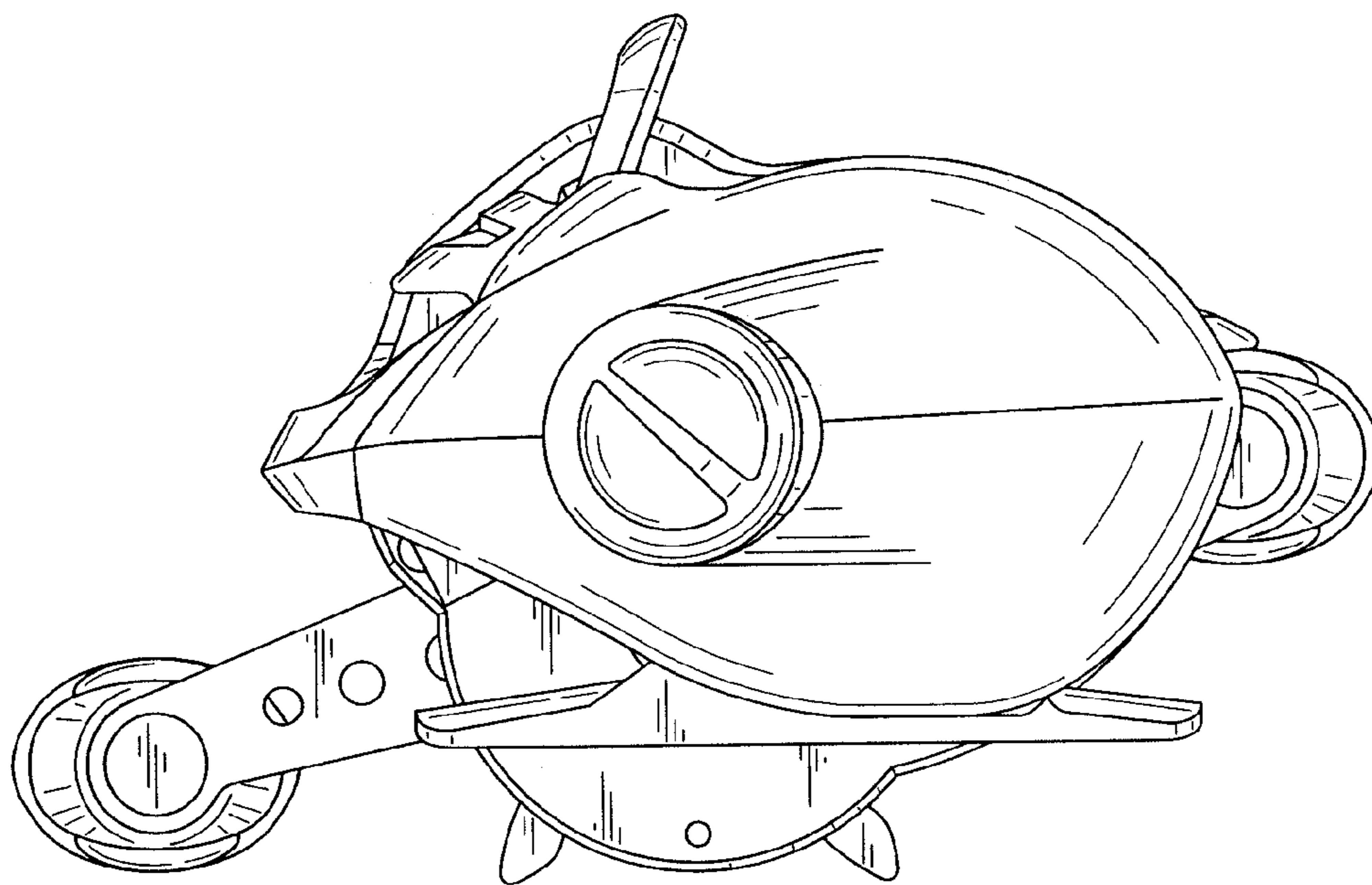


FIG. 8