



US00D572332S

(12) **United States Design Patent**
Sramek et al.

(10) **Patent No.:** **US D572,332 S**
(45) **Date of Patent:** **** Jul. 1, 2008**

(54) **FLEXIBLE BOARD**

(75) Inventors: **Steve Sramek**, Long Beach, CA (US);
Robert Hadley, Yorba Linda, CA (US)

(73) Assignee: **Razor USA LLC**, Cerritos, CA (US)

(**) Term: **14 Years**

(21) Appl. No.: **29/282,285**

(22) Filed: **Jul. 16, 2007**

(51) **LOC (8) Cl.** **21-02**

(52) **U.S. Cl.** **D21/765**

(58) **Field of Classification Search** D21/760,
D21/765, 771, 779, 423; 280/7.14, 11.115,
280/11.27, 11.28, 14.21, 87.01, 87.021, 87.03,
280/87.041, 87.042, 809; 180/180, 181
See application file for complete search history.

(56) **References Cited**

U.S. PATENT DOCUMENTS

D397,753 S * 9/1998 Lin D21/765
D437,377 S * 2/2001 Fisher D21/765
7,195,259 B2 * 3/2007 Gang 280/87.042
D552,201 S * 10/2007 Kwak D21/765

2004/0262872 A1* 12/2004 Kang 280/87.042
2006/0055137 A1* 3/2006 Jiang 280/87.042
2006/0125199 A1* 6/2006 Kodames 280/87.042
2006/0163830 A1* 7/2006 Kwak 280/87.042

* cited by examiner

Primary Examiner—Holly H. Baynham

Assistant Examiner—Cynthia M Chin

(74) *Attorney, Agent, or Firm*—Charles C. H. Wu; Wu & Cheung, LLP

(57) **CLAIM**

The ornamental design for a flexible board, as shown and described.

DESCRIPTION

FIG. 1 is a perspective view of the flexible board showing the new design;

FIG. 2 is a front elevational view thereof;

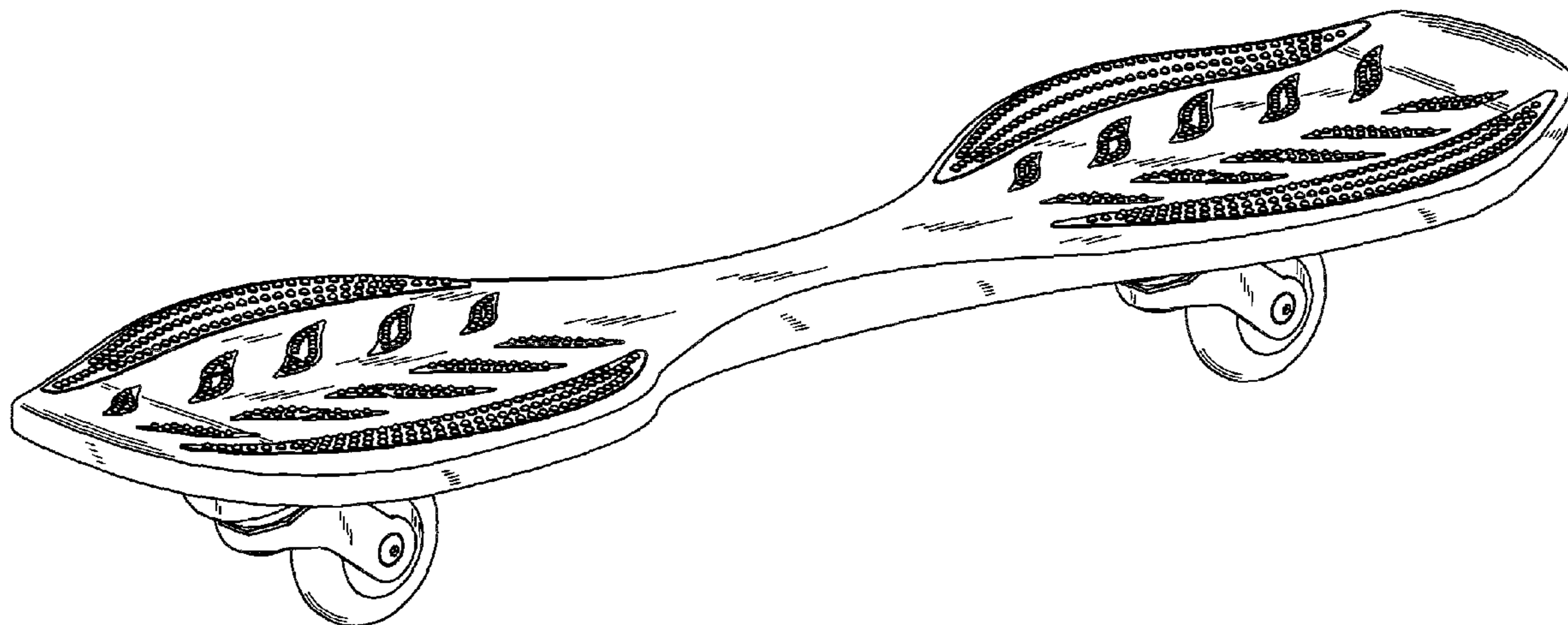
FIG. 3 is a top plan view thereof;

FIG. 4 is a left side elevational view thereof;

FIG. 5 is a rear elevational view thereof; and,

FIG. 6 is a bottom plan view thereof.

1 Claim, 4 Drawing Sheets



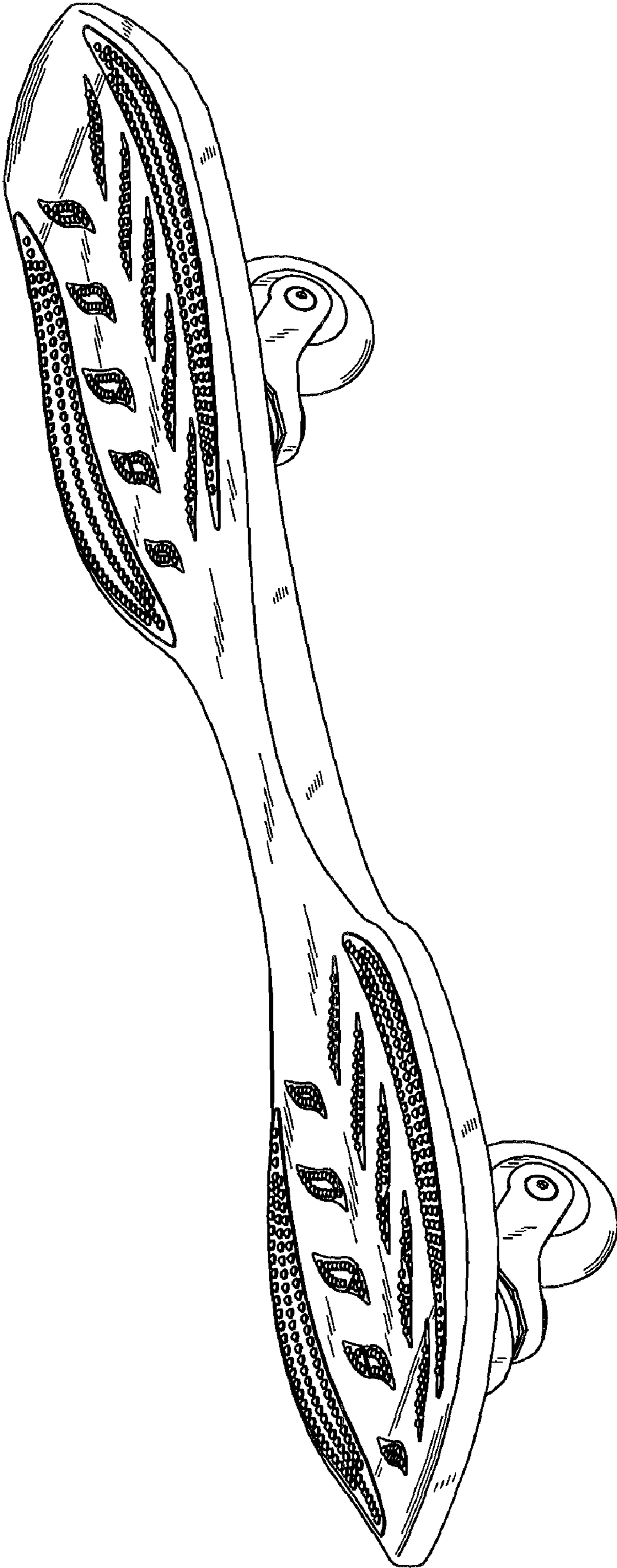


FIG. 1

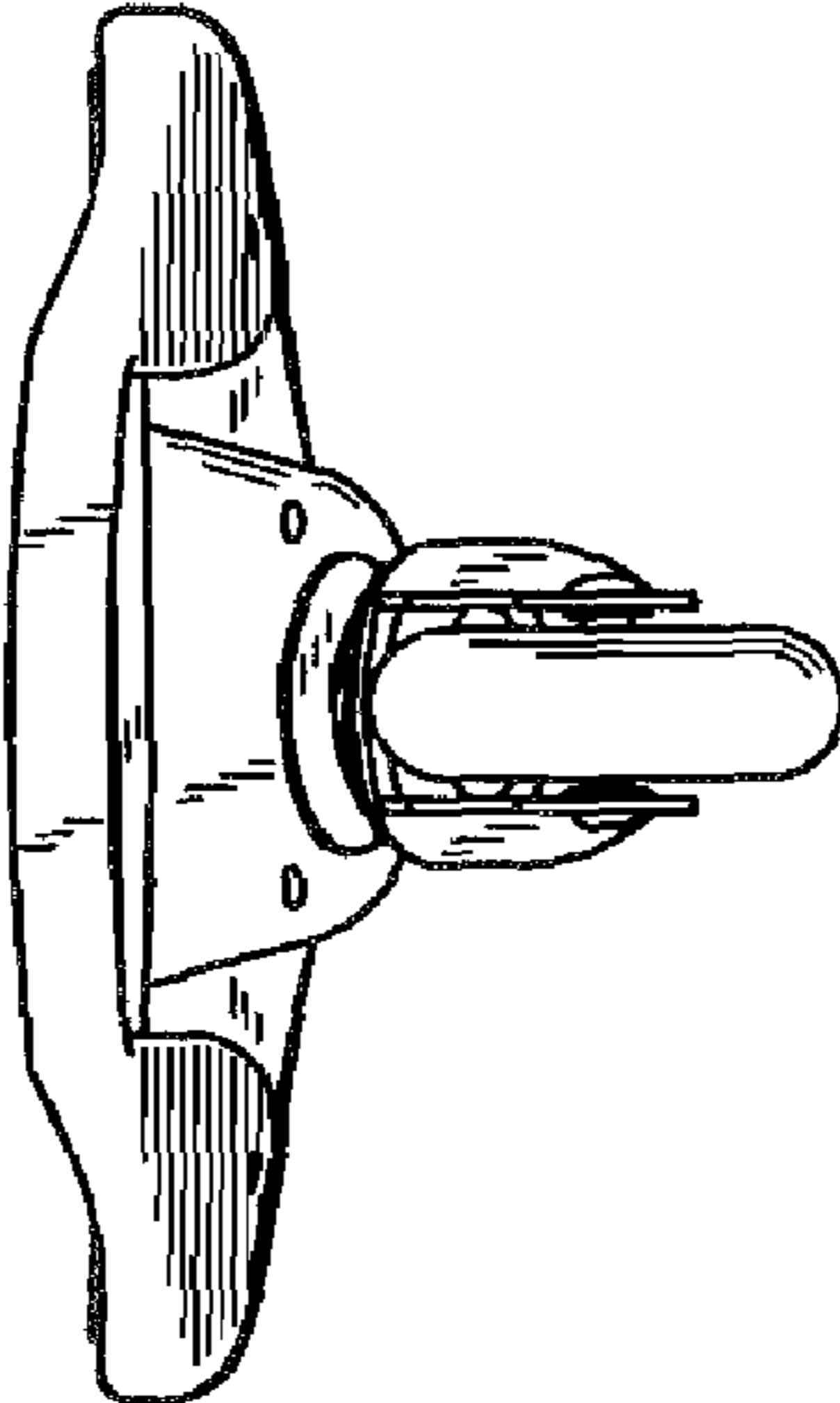


FIG. 2

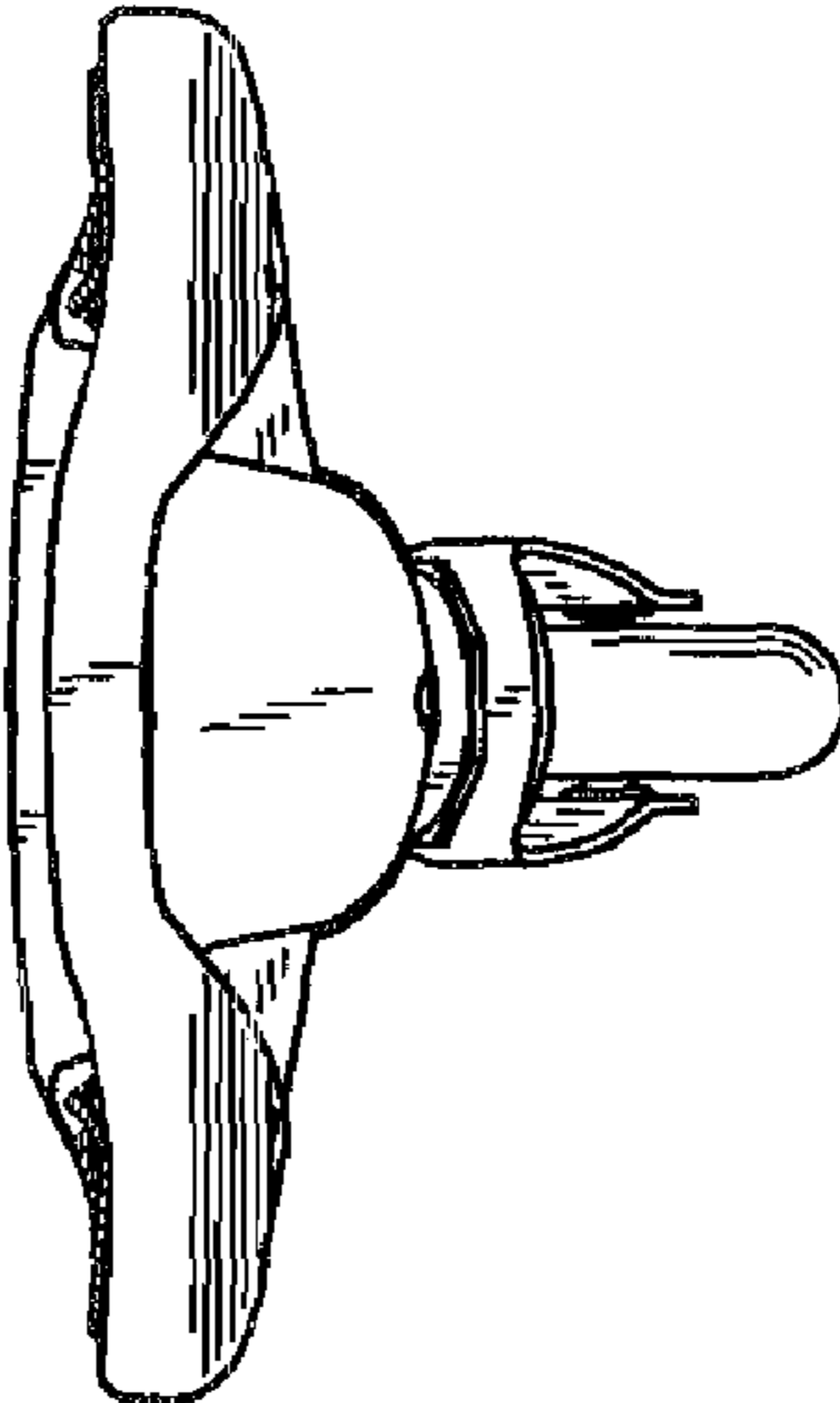


FIG. 5

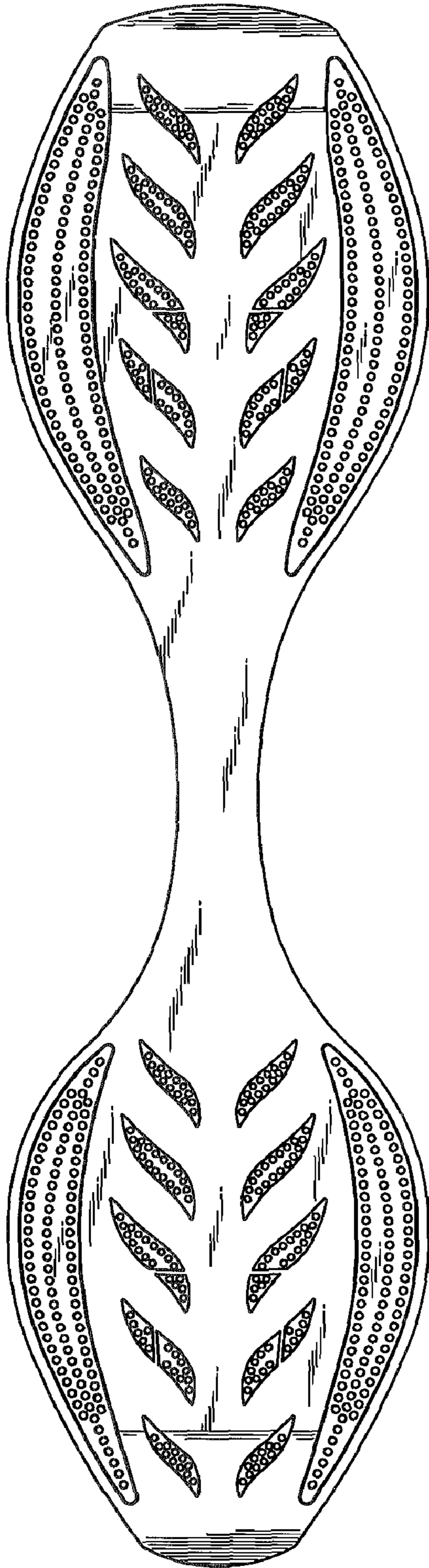


FIG. 3

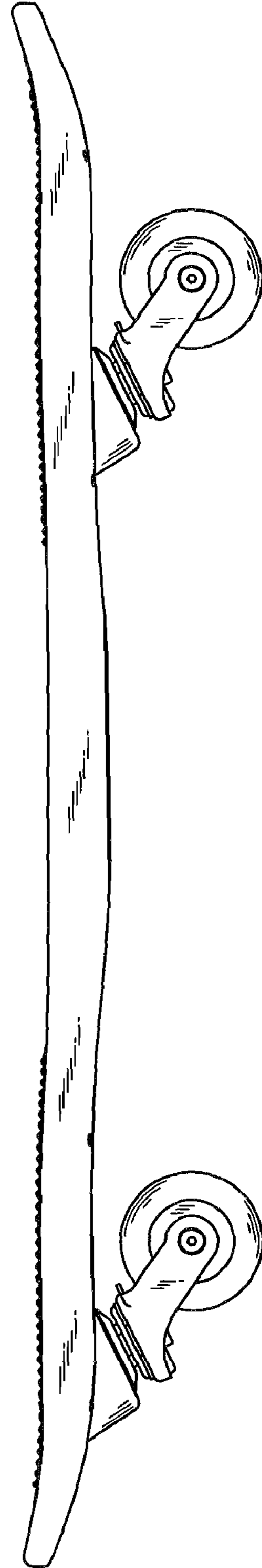


FIG. 4

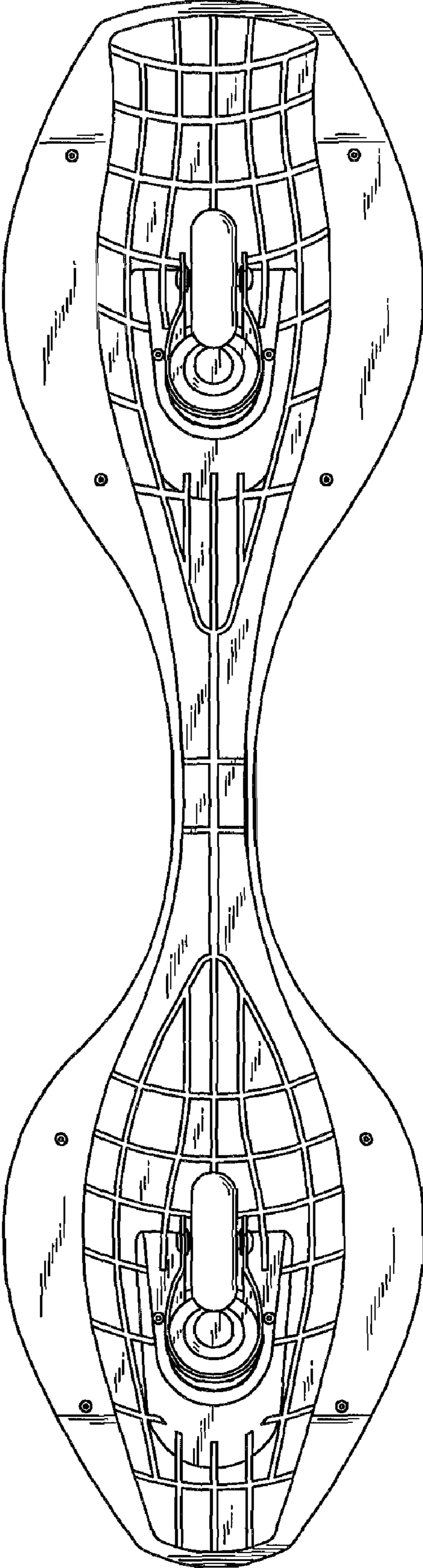


FIG. 6