



US00D572331S

(12) **United States Design Patent**
Oldknow et al.

(10) **Patent No.:** **US D572,331 S**
(45) **Date of Patent:** **** Jul. 1, 2008**

(54) **GOLF CLUB HEAD FOR A PUTTER**

(75) Inventors: **Andrew G. V. Oldknow**, Beaverton, OR (US); **John T. Stites**, Weatherford, TX (US); **David N. Franklin**, Granbury, TX (US)

(73) Assignee: **Nike, Inc.**, Beaverton, OR (US)

(**) Term: **14 Years**

(21) Appl. No.: **29/302,478**

(22) Filed: **Jan. 17, 2008**

(51) **LOC (8) Cl.** **21-02**

(52) **U.S. Cl.** **D21/759**

(58) **Field of Classification Search** D21/736-746,
D21/753, 759; 473/324-331, 340-341
See application file for complete search history.

(56) **References Cited**

U.S. PATENT DOCUMENTS

D234,962 S	4/1975	Swash	
D235,668 S	7/1975	Swash	
5,630,765 A	5/1997	Moore	
D389,539 S	1/1998	Moore	
D391,612 S	3/1998	Moore	
5,830,078 A	11/1998	McMahan	
D414,831 S	10/1999	Matsuo	
D461,861 S	8/2002	Tang et al.	
D488,200 S *	4/2004	Olsavsky et al. D21/743
D496,417 S	9/2004	Tang	
D508,273 S	8/2005	Garner et al.	
6,929,564 B2	8/2005	Olsavsky et al.	
D513,048 S	12/2005	Garner et al.	
D513,776 S	1/2006	Grace	
D514,182 S *	1/2006	Olsavsky et al. D21/743
D515,647 S	2/2006	Morgulis	
D520,584 S	5/2006	Karlsen	
D521,582 S *	5/2006	Souza et al. D21/743
7,048,639 B2	5/2006	Grace	
7,048,646 B2	5/2006	Yamanaka et al.	
D529,108 S	9/2006	Stites et al.	
D533,243 S	12/2006	Fife, Jr. et al.	
D533,609 S	12/2006	Moore et al.	

D537,137 S	2/2007	Sheehan	
D538,364 S	3/2007	Frame et al.	
D540,897 S	4/2007	Oldknow et al.	
D541,362 S *	4/2007	Oldknow D21/759
D542,871 S	5/2007	Oldknow	
D542,873 S *	5/2007	Oldknow D21/759
D545,385 S *	6/2007	Tang et al. D21/736
7,244,191 B2	7/2007	Tang et al.	
D548,295 S	8/2007	Jertson et al.	
D552,197 S *	10/2007	Wells et al. D21/743
D557,361 S *	12/2007	Rollinson D21/743
D564,606 S *	3/2008	Oldknow et al. D21/736
2005/0137027 A1	6/2005	Thomas	
2006/0189408 A1	8/2006	Grace	

OTHER PUBLICATIONS

Golfsmith 1998, p. 72, (TG System, 4156).

(Continued)

Primary Examiner—Mitchell I Siegel

(74) *Attorney, Agent, or Firm*—Banner & Witcoff, Ltd.

(57) **CLAIM**

The ornamental design for a golf club head for a putter, as shown and described.

DESCRIPTION

FIG. 1 is a rear perspective view of a golf club head for a putter showing our new design;

FIG. 2 is a top view thereof;

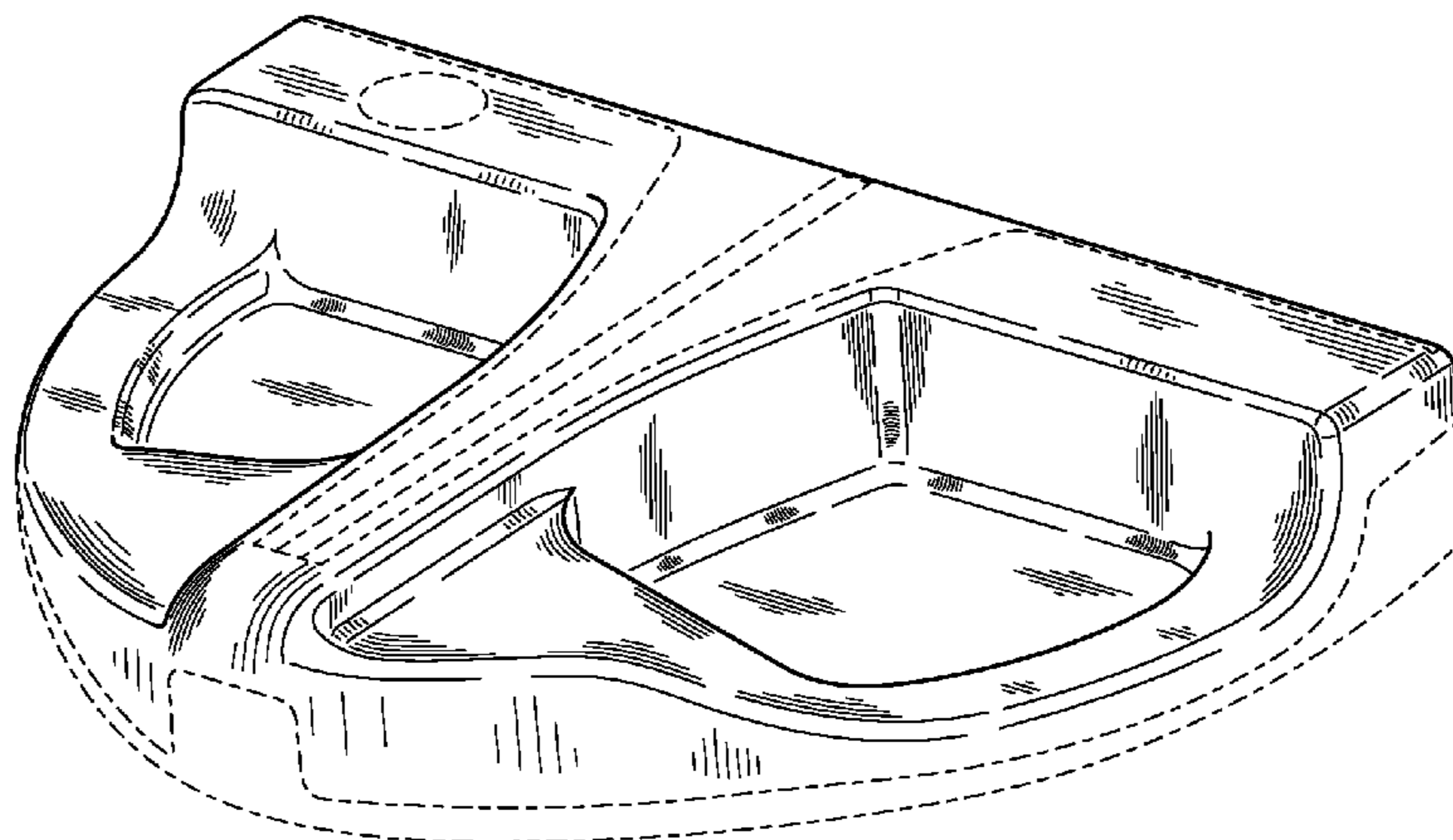
FIG. 3 is a heel view thereof;

FIG. 4 is a toe view thereof; and,

FIG. 5 is a rear view thereof.

The broken line showing of the remainder of the golf club head for a putter is for illustrative purposes only and forms no part of the claimed design. The broken line adjacent to the shaded portion forms an unclaimed boundary of the design. The unshown portion of the golf club head for a putter forms no part of the claimed design.

1 Claim, 2 Drawing Sheets



OTHER PUBLICATIONS

Edwin Watts Golf Magazine, Late Spring 2004, p. 19 (Doc. 17 Putter).

Edwin Watts Golf Magazine, Father's Day 2003, p. 10 (Taylor Made Monce Putter #5623).

Edwin Watts Golf Catalog #7837, (Founders Tour Tuned Stand # 1 Blue Putter).

* cited by examiner

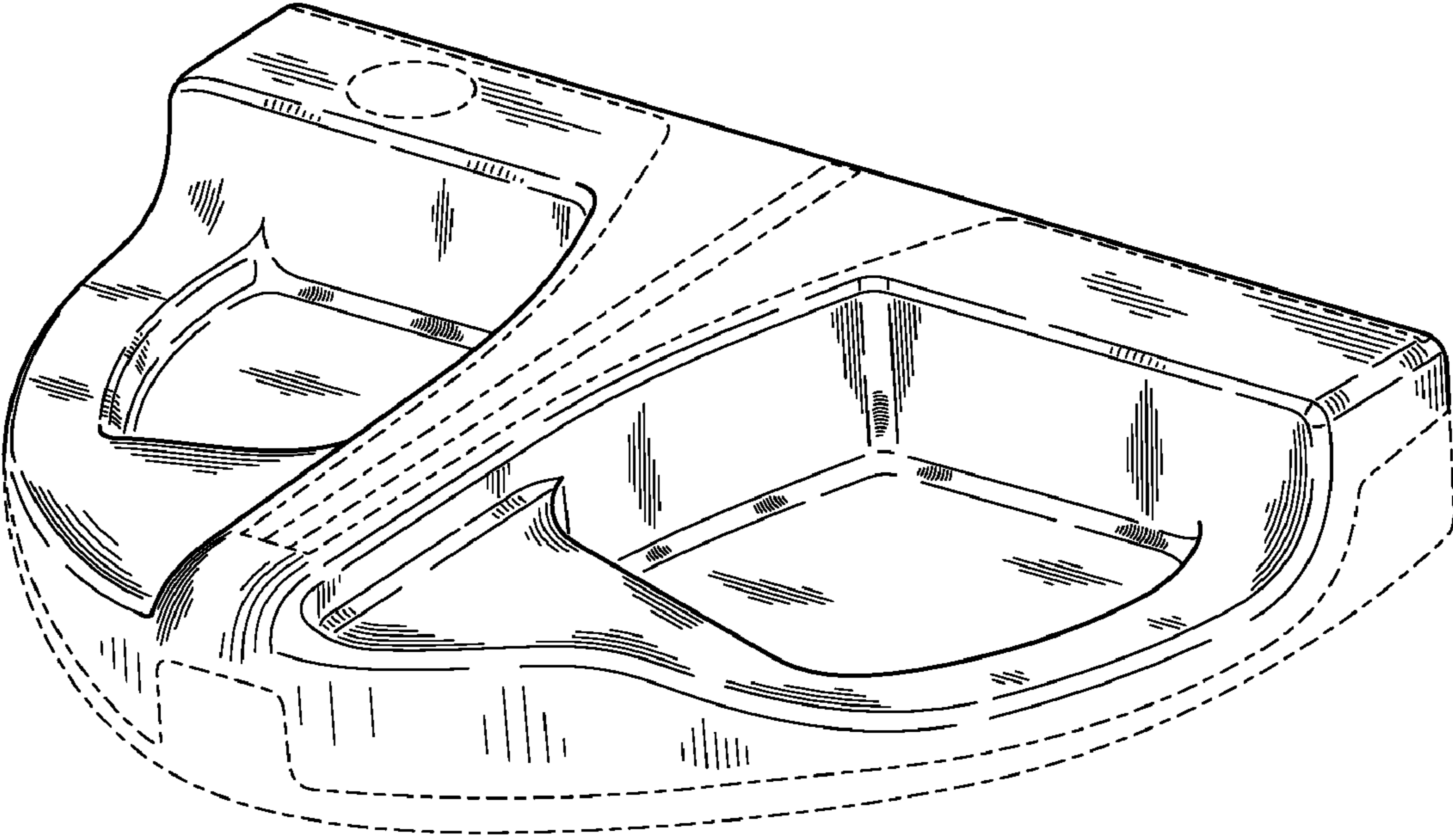


FIG. 1

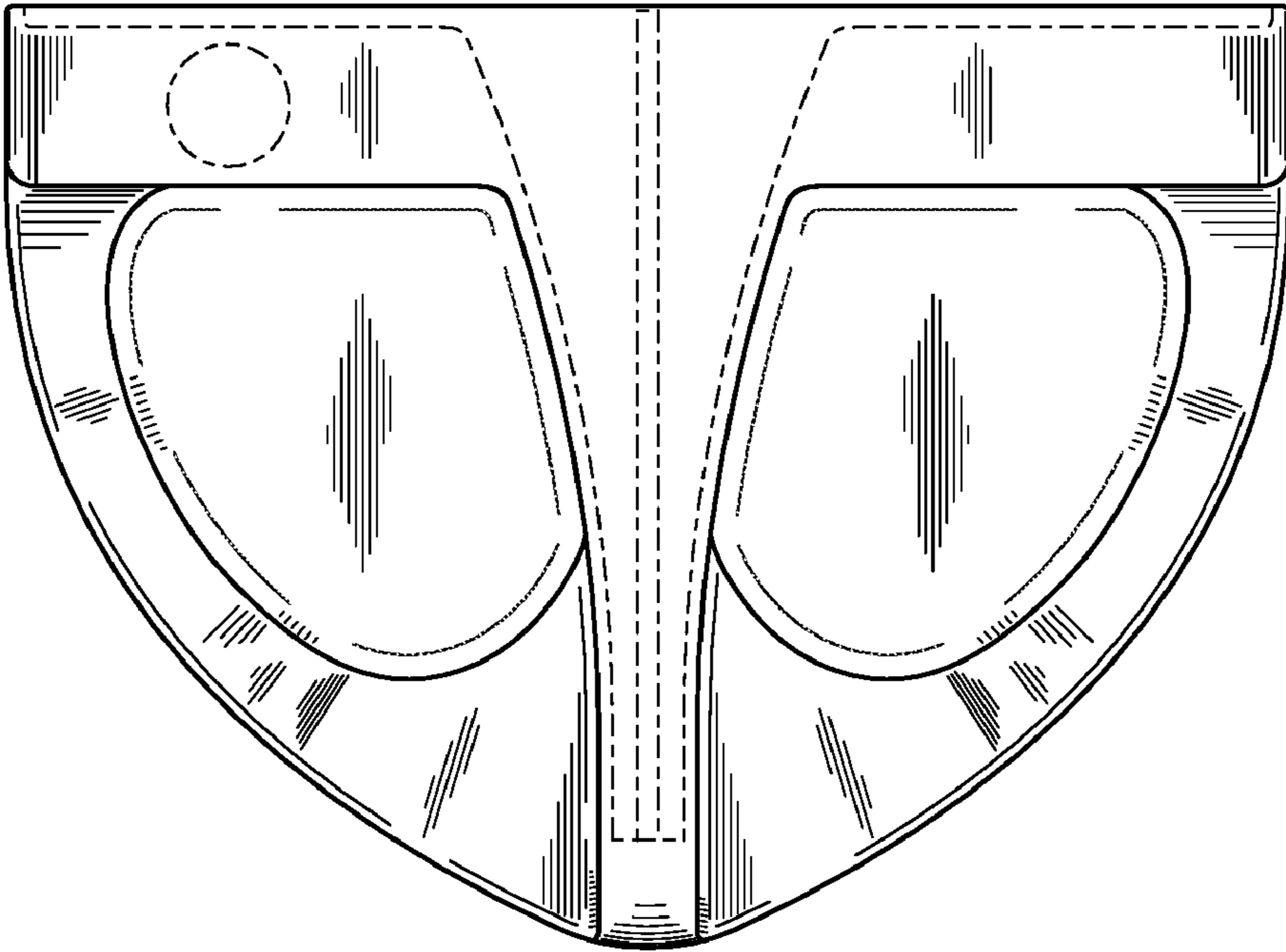


FIG. 2

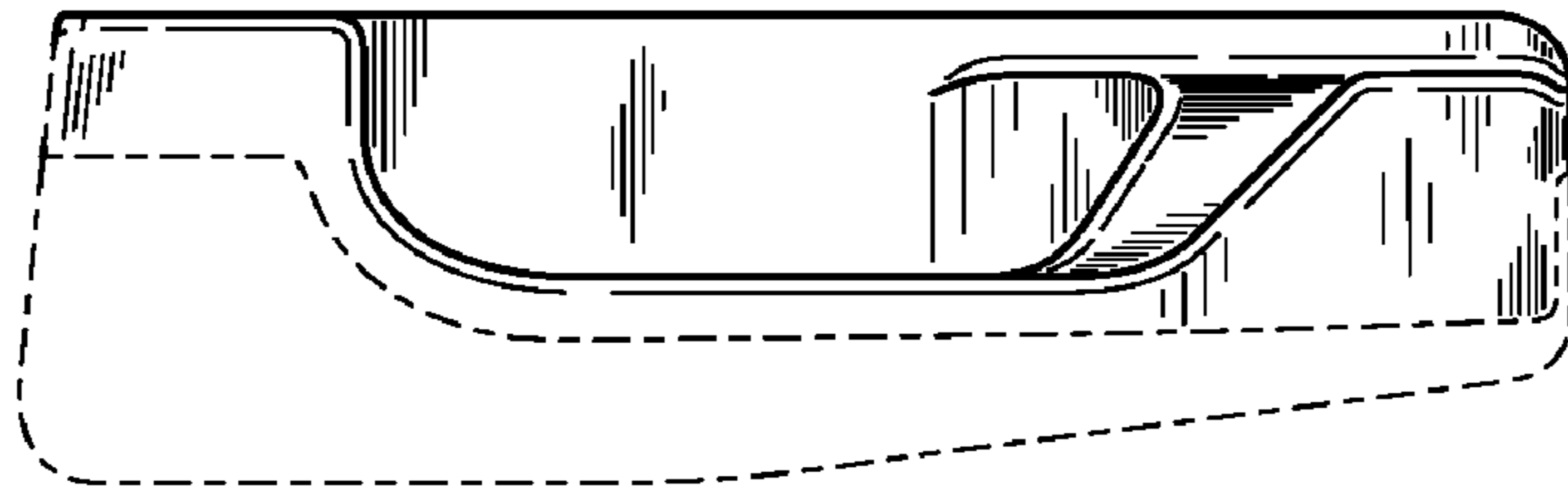


FIG. 3

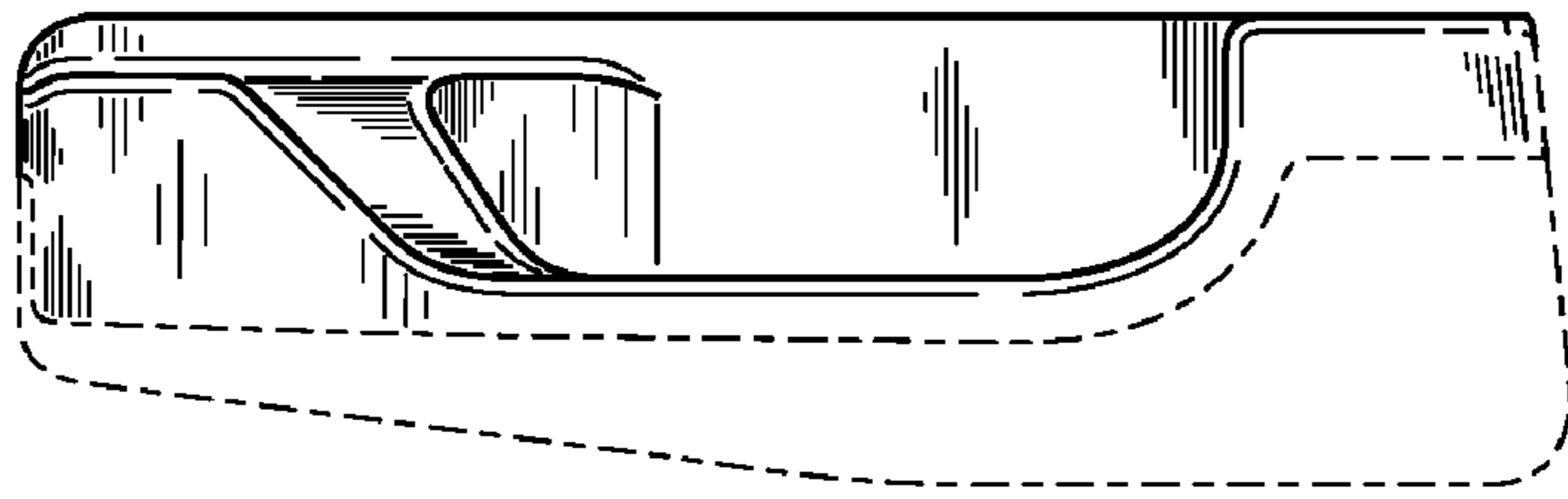


FIG. 4

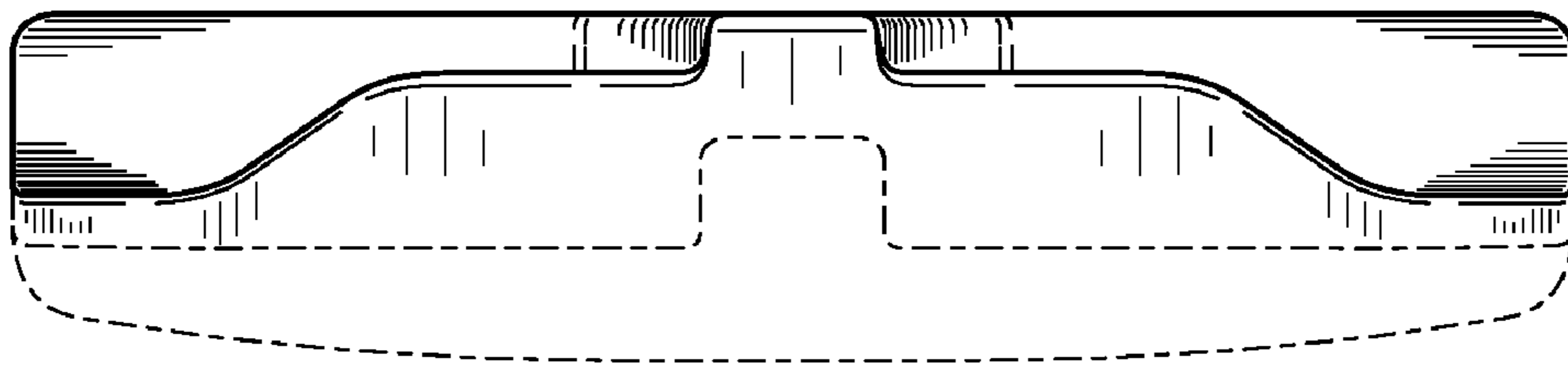


FIG. 5