



US00D572325S

(12) **United States Design Patent**
Baer

(10) **Patent No.:** **US D572,325 S**
(45) **Date of Patent:** **** Jul. 1, 2008**

(54) **GOLF PUTTER HEAD**

(76) **Inventor:** **Robert Baer**, 3633 York Ct., Bloomfield Hills, MI (US) 48301

(**) **Term:** **14 Years**

(21) **Appl. No.:** **29/280,893**

(22) **Filed:** **Jun. 8, 2007**

(51) **LOC (8) Cl.** **21-02**

(52) **U.S. Cl.** **D21/746**

(58) **Field of Classification Search** D21/736-746;
473/324-331, 340-341, 251-156
See application file for complete search history.

6,402,638 B1	6/2002	Kelley	
D470,904 S *	2/2003	Tang et al.	D21/742
6,692,372 B1	2/2004	Colucci	
6,863,617 B2	3/2005	Park	
6,878,072 B1 *	4/2005	Henry	473/340
D521,089 S	5/2006	Dingman	
7,086,959 B2	8/2006	D'Agguano	
D539,370 S *	3/2007	Imamoto	D21/736
7,198,574 B2	4/2007	Barbosa	
7,223,178 B2 *	5/2007	Henry	473/340
2004/0147334 A1	7/2004	D'Agguano	

* cited by examiner

Primary Examiner—Mitchell I Siegel

(74) *Attorney, Agent, or Firm*—Gifford, Krass, Sprinkle, Anderson & Citkowski, P.C.

(56) **References Cited**

U.S. PATENT DOCUMENTS

1,960,110 A *	5/1934	Iles	473/286
3,374,027 A	3/1968	Jacobs	
3,632,112 A	1/1972	Jacobs	
3,708,172 A *	1/1973	Rango	473/249
3,841,639 A	10/1974	Werner	
D257,869 S *	1/1981	MacDougall	D21/739
D257,870 S *	1/1981	MacDougall	D21/739
D257,871 S *	1/1981	MacDougall	D21/739
D268,691 S *	4/1983	Collins	D21/739
4,580,784 A	4/1986	Brill	
D324,556 S	3/1992	Guerin, Sr.	
5,368,302 A	11/1994	Thomas	
5,509,658 A	4/1996	Youngblood	
D380,030 S *	6/1997	Altman	D21/739
D388,853 S	1/1998	Minami	
D402,724 S	12/1998	Minami	
D424,145 S *	5/2000	Minami	D21/744
6,322,457 B1	11/2001	Klein	
6,379,259 B1	4/2002	Opie	

(57) **CLAIM**

I claim the ornamental design for a golf putter head, as shown and described.

DESCRIPTION

FIG. 1 is a perspective view of golf putter head according to the present design;

FIG. 2 is a right side view of the present design, a corresponding left side view being a mirror image thereof;

FIG. 3 is a bottom view;

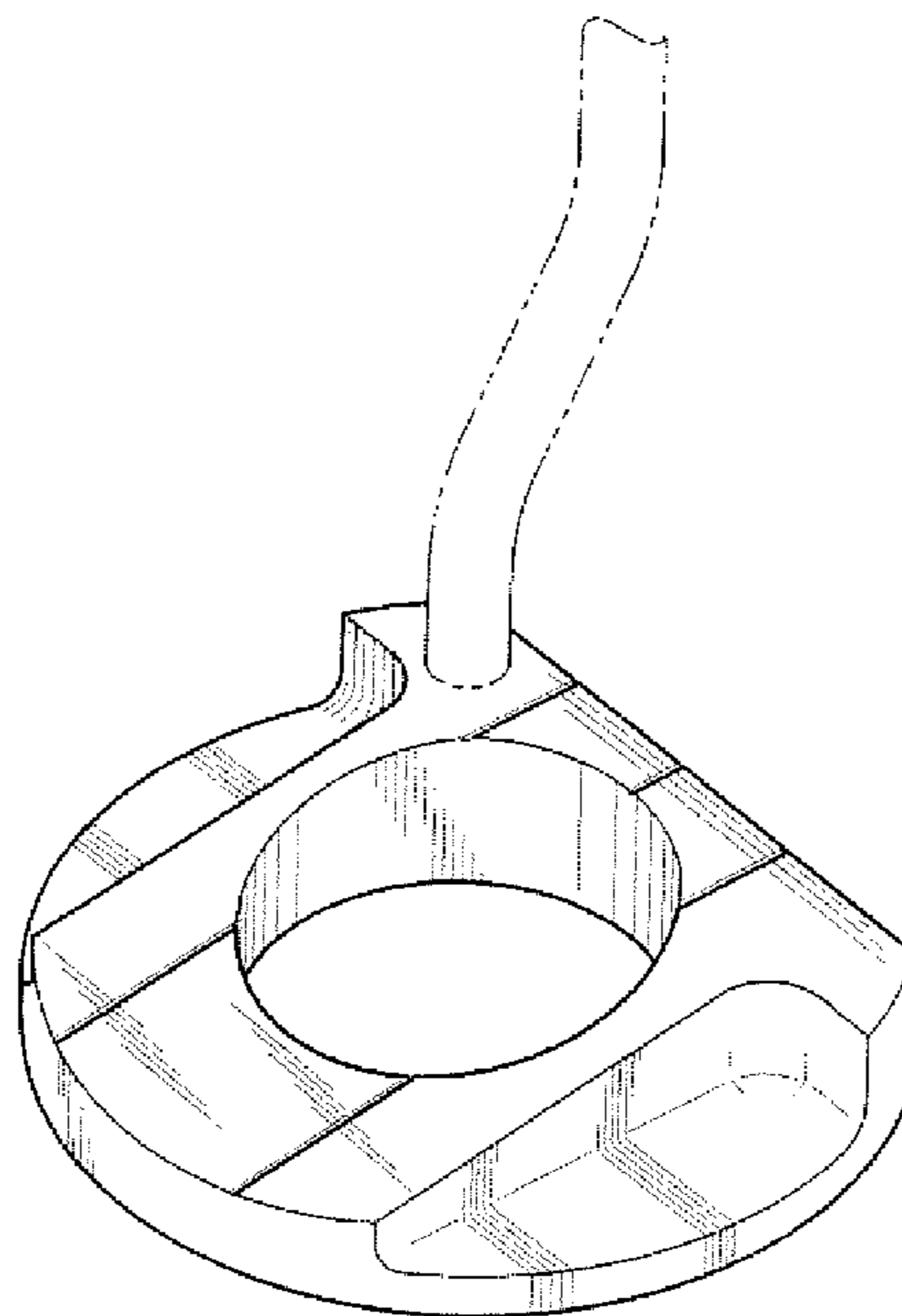
FIG. 4 is a top view;

FIG. 5 is a front view; and,

FIG. 6 is a rear view of the present design.

The broken line showing is included for the purpose of illustrating and forms no part of the claimed design.

1 Claim, 2 Drawing Sheets



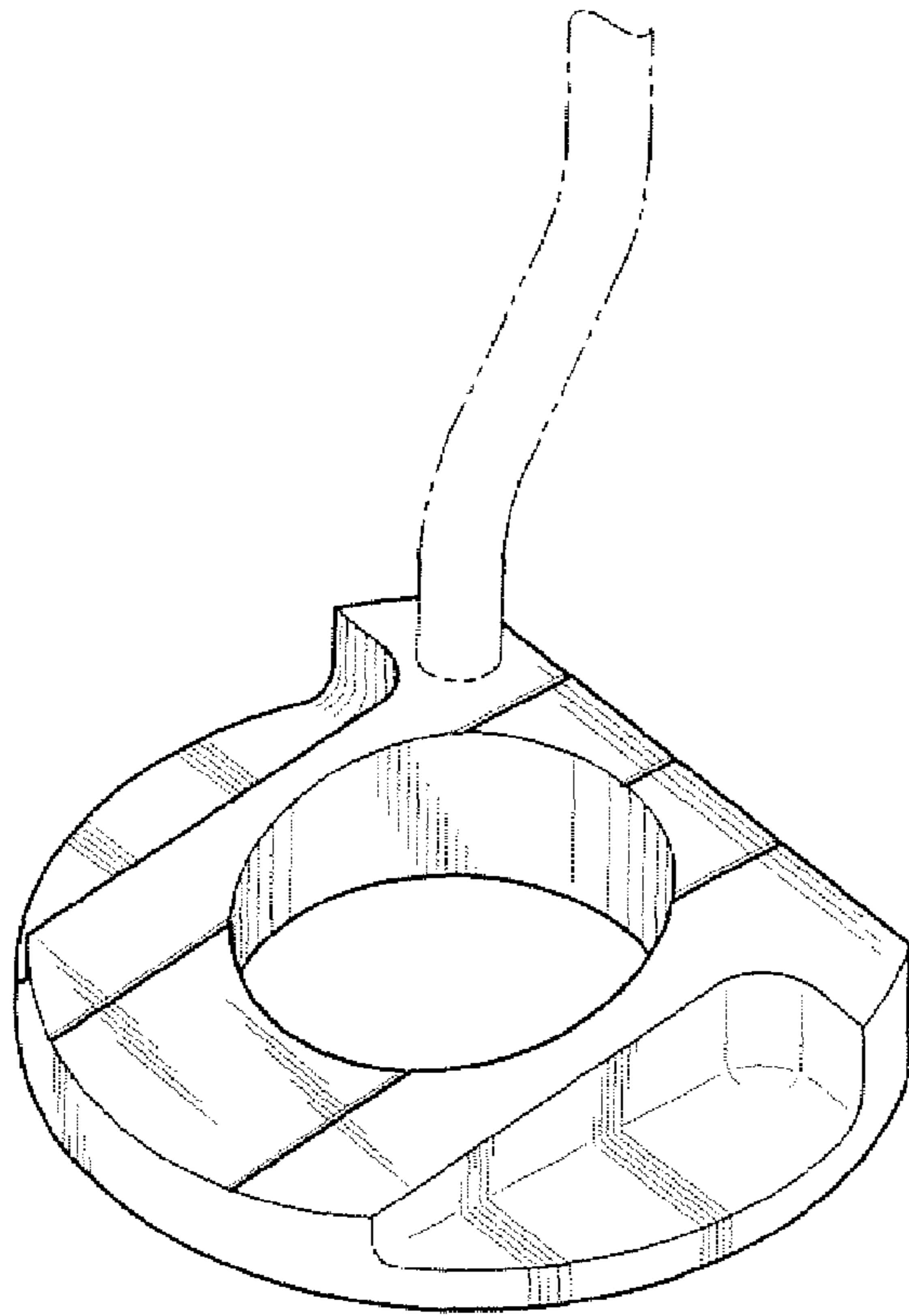


Fig-1

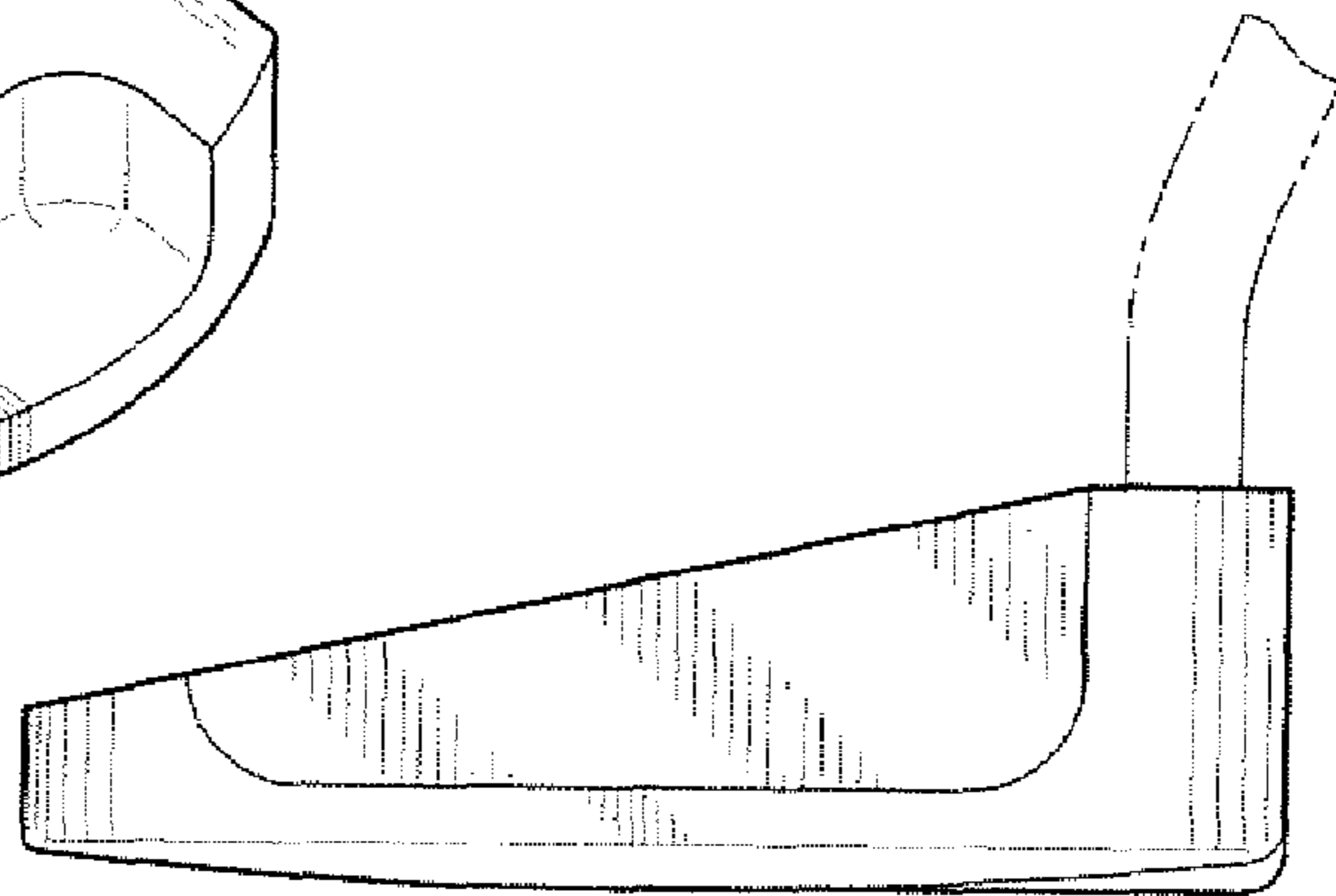


Fig-2

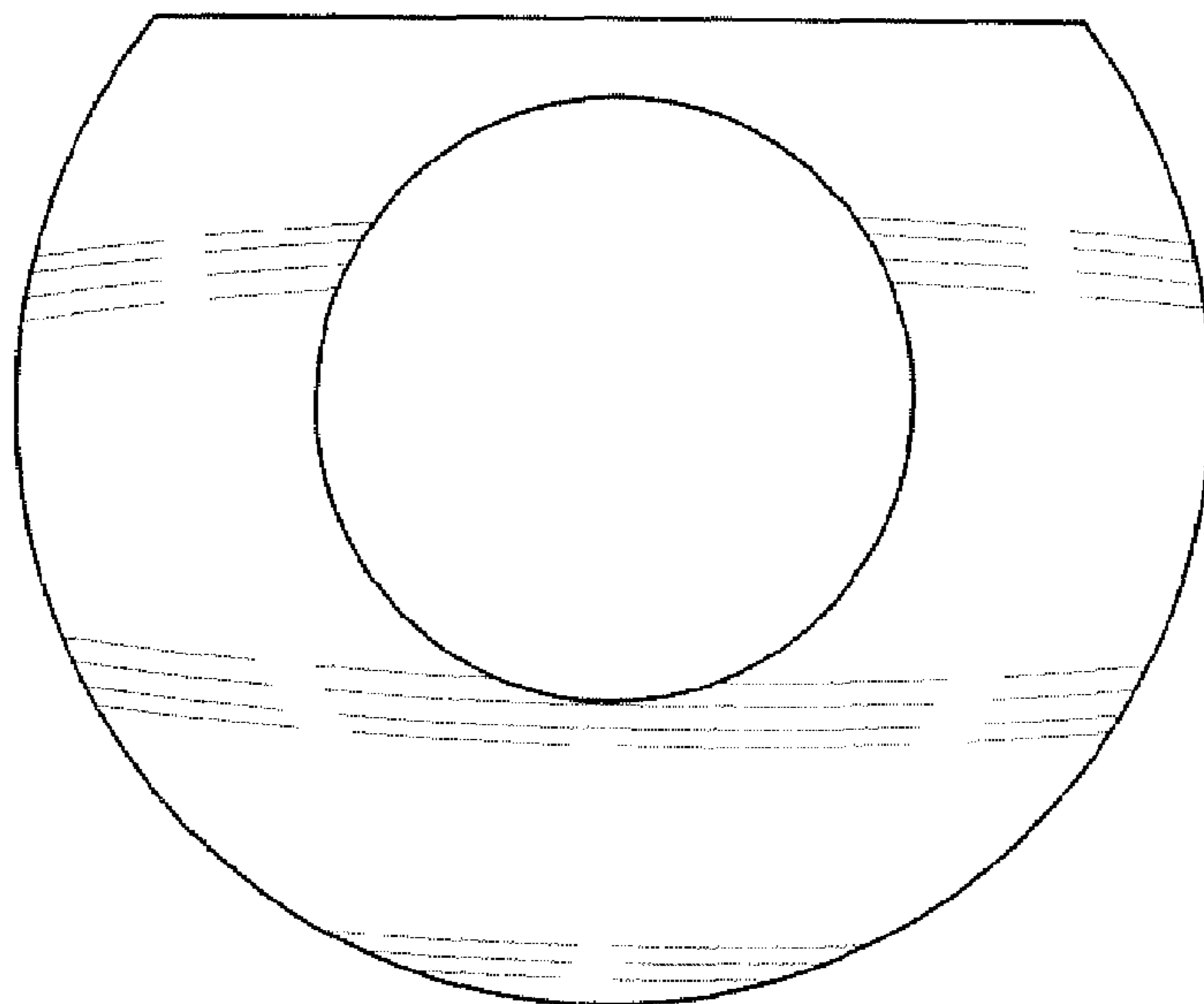


Fig-3

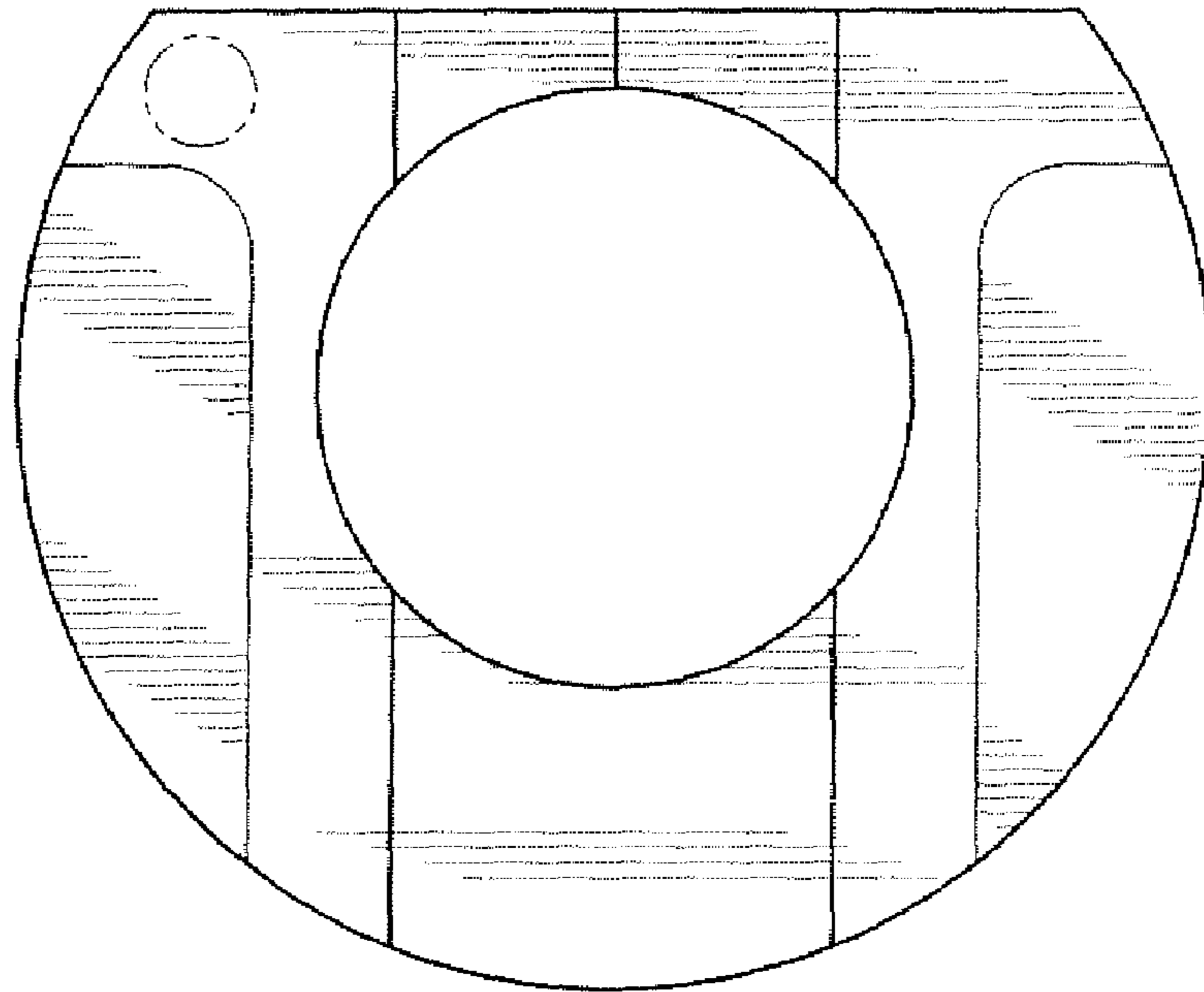


Fig-4

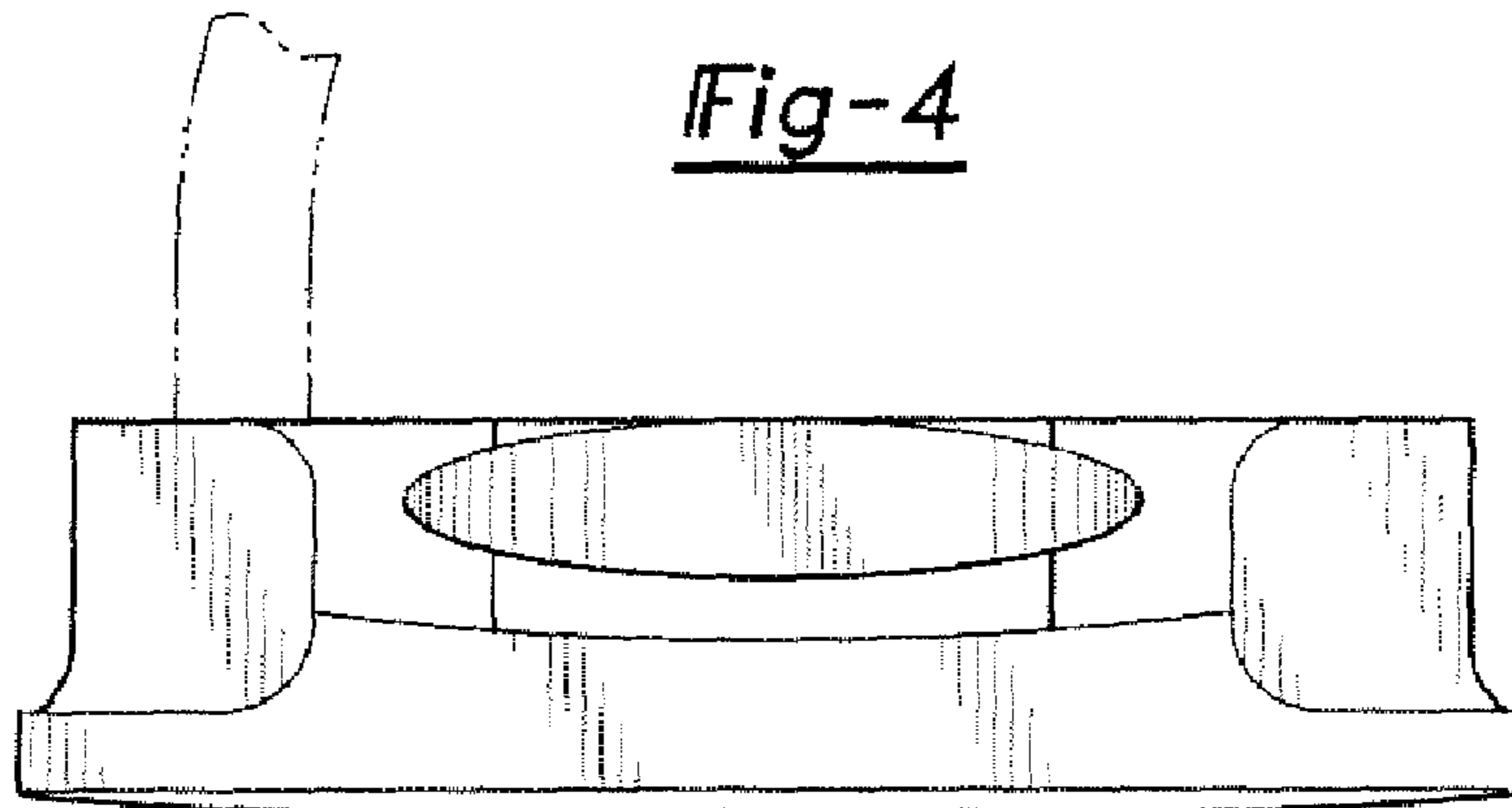


Fig-5

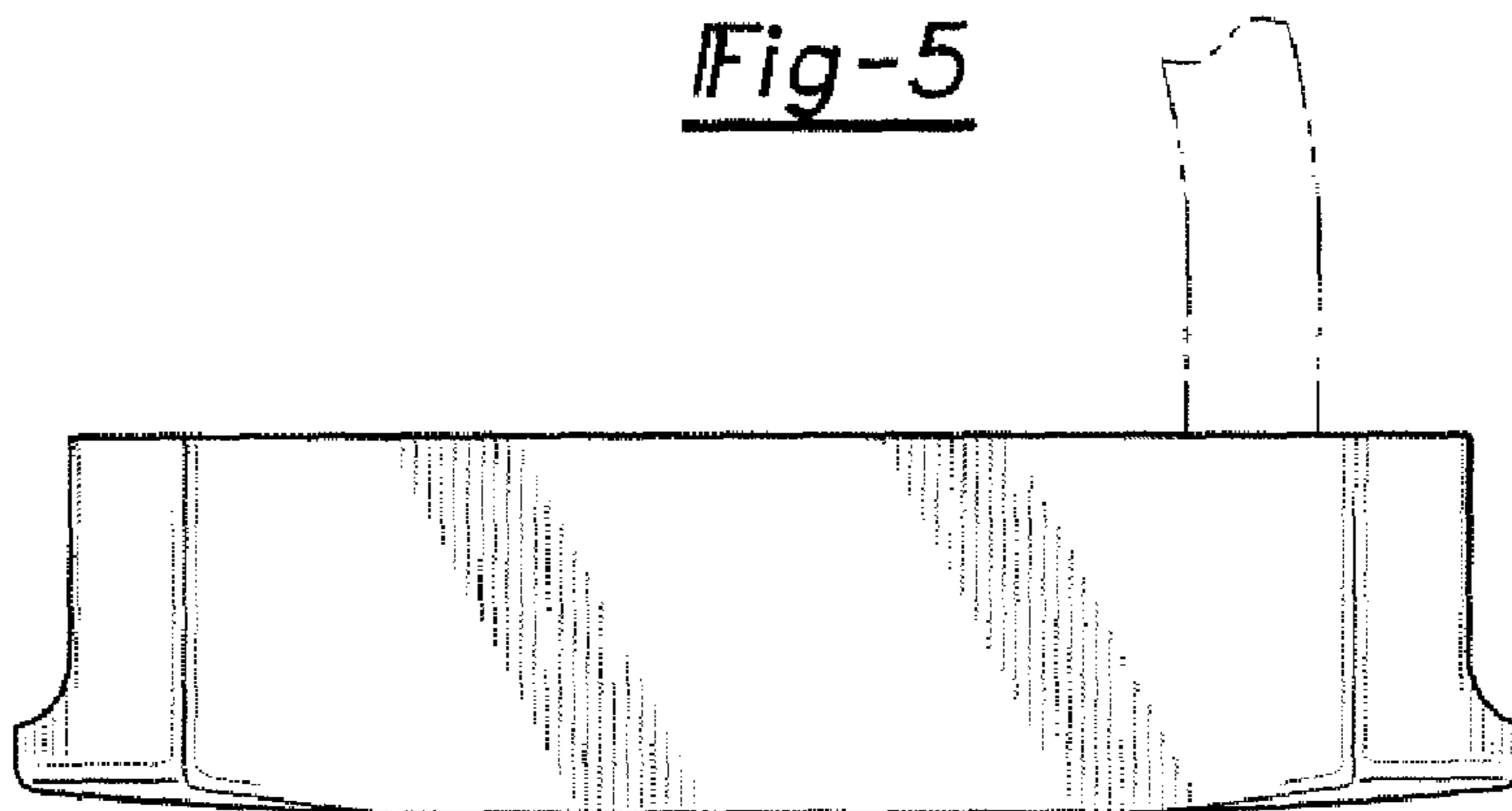


Fig-6