



US00D572320S

(12) **United States Design Patent**
Davies, III

(10) **Patent No.:** **US D572,320 S**
(45) **Date of Patent:** **** Jul. 1, 2008**

(54) **WEIGHT-LIFTING PLATE**

2007/0197352 A1* 8/2007 Charniga et al. 482/93

(76) Inventor: **David R. Davies, III**, 10250 Dakins Dr.,
Richmond, VA (US) 23236

OTHER PUBLICATIONS

Ivanko 45. Downloaded Oct. 27, 2007 at <http://www.ivankobarbell.com/indexbody.htm>.*

(**) Term: **14 Years**

* cited by examiner

(21) Appl. No.: **29/285,875**

Primary Examiner—Philip Hyder

(22) Filed: **Apr. 13, 2007**

Assistant Examiner—Roselynn Cody

(74) *Attorney, Agent, or Firm*—Kimberly A. Chasteen

(51) **LOC (8) Cl.** **21-02**

(52) **U.S. Cl.** **D21/680**

(58) **Field of Classification Search** D21/662,
D21/680–681; 482/92–94, 106–108
See application file for complete search history.

(57) **CLAIM**

The ornamental design for a weight-lifting plate, as shown and described.

(56) **References Cited**

DESCRIPTION

U.S. PATENT DOCUMENTS

5,137,502	A	8/1992	Anastasi	
5,295,934	A *	3/1994	Collins et al.	482/107
D355,007	S	1/1995	Rojas	
5,853,355	A	12/1998	Standish	
D409,695	S	5/1999	Rojas	
D421,076	S *	2/2000	Lincir	D21/681
D424,639	S	5/2000	Rojas	
D433,469	S	11/2000	Rojas	
D445,153	S	7/2001	Lincir	
D445,154	S	7/2001	Lincir	
D446,559	S	8/2001	Lincir	
D448,055	S *	9/2001	Lien et al.	D21/681
D451,159	S *	11/2001	Rojas et al.	D21/680
D451,160	S *	11/2001	Rojas et al.	D21/680
D454,167	S *	3/2002	Lincir	D21/680
6,436,015	B1 *	8/2002	Frasco et al.	482/106
D463,001	S *	9/2002	Buchanan	D21/680
D476,383	S *	6/2003	Chen	D21/681
6,746,380	B2 *	6/2004	Lien et al.	482/106
D502,514	S *	3/2005	Buchanan et al.	D21/680
6,991,590	B2 *	1/2006	Vigiano	482/106
2004/0092370	A1 *	5/2004	Lincir	482/107
2006/0073948	A1 *	4/2006	Lincir	482/94
2007/0184943	A1 *	8/2007	Davies	482/93

FIG. 1 is a front elevation view of a weight-lifting plate, showing my new design;

FIG. 2 is a side view of the weight-lifting plate shown in FIG. 1;

FIG. 3 is a perspective view of the weight-lifting plate shown in FIG. 1;

FIG. 4 is a front elevation view of a modified embodiment thereof;

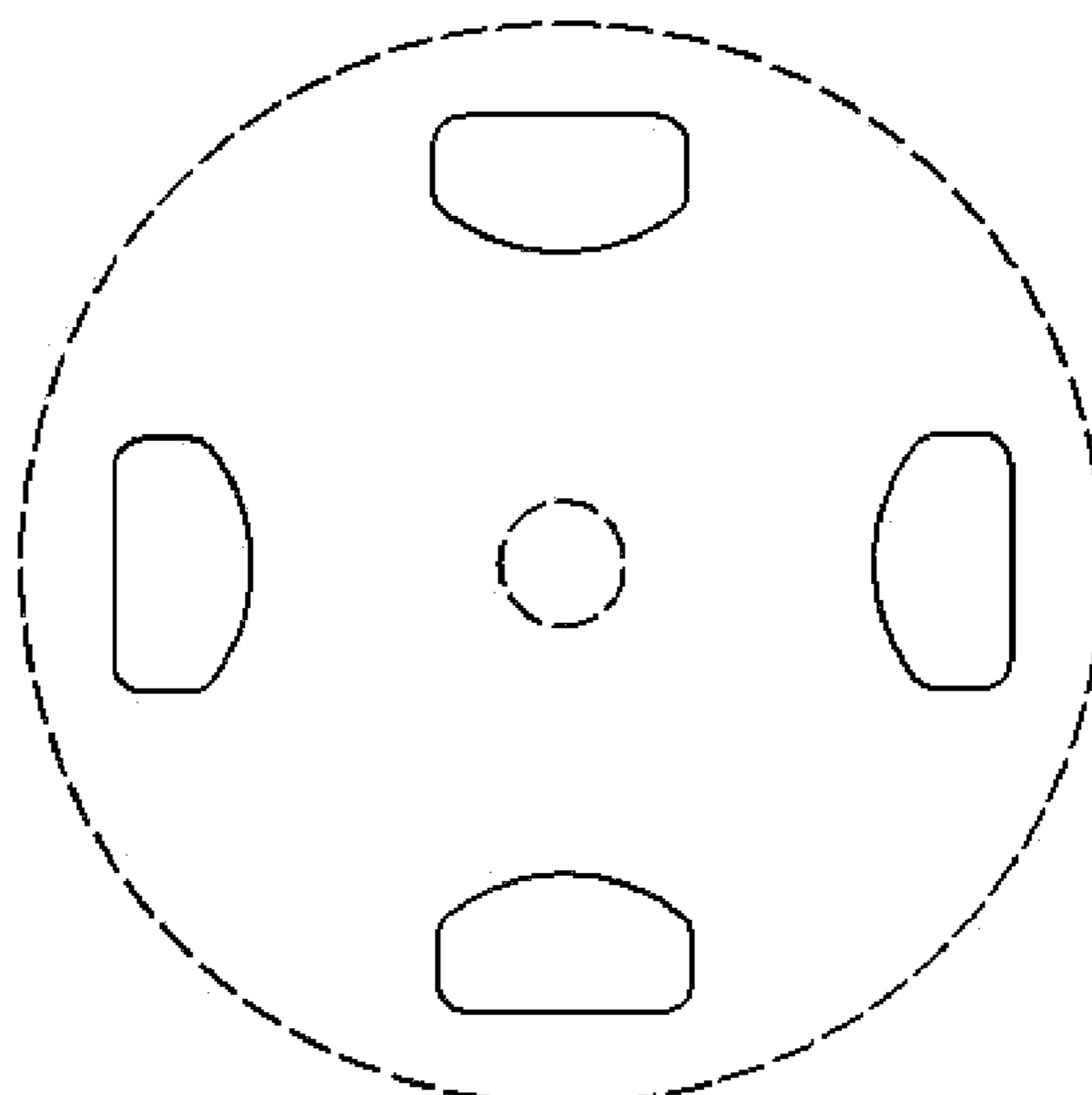
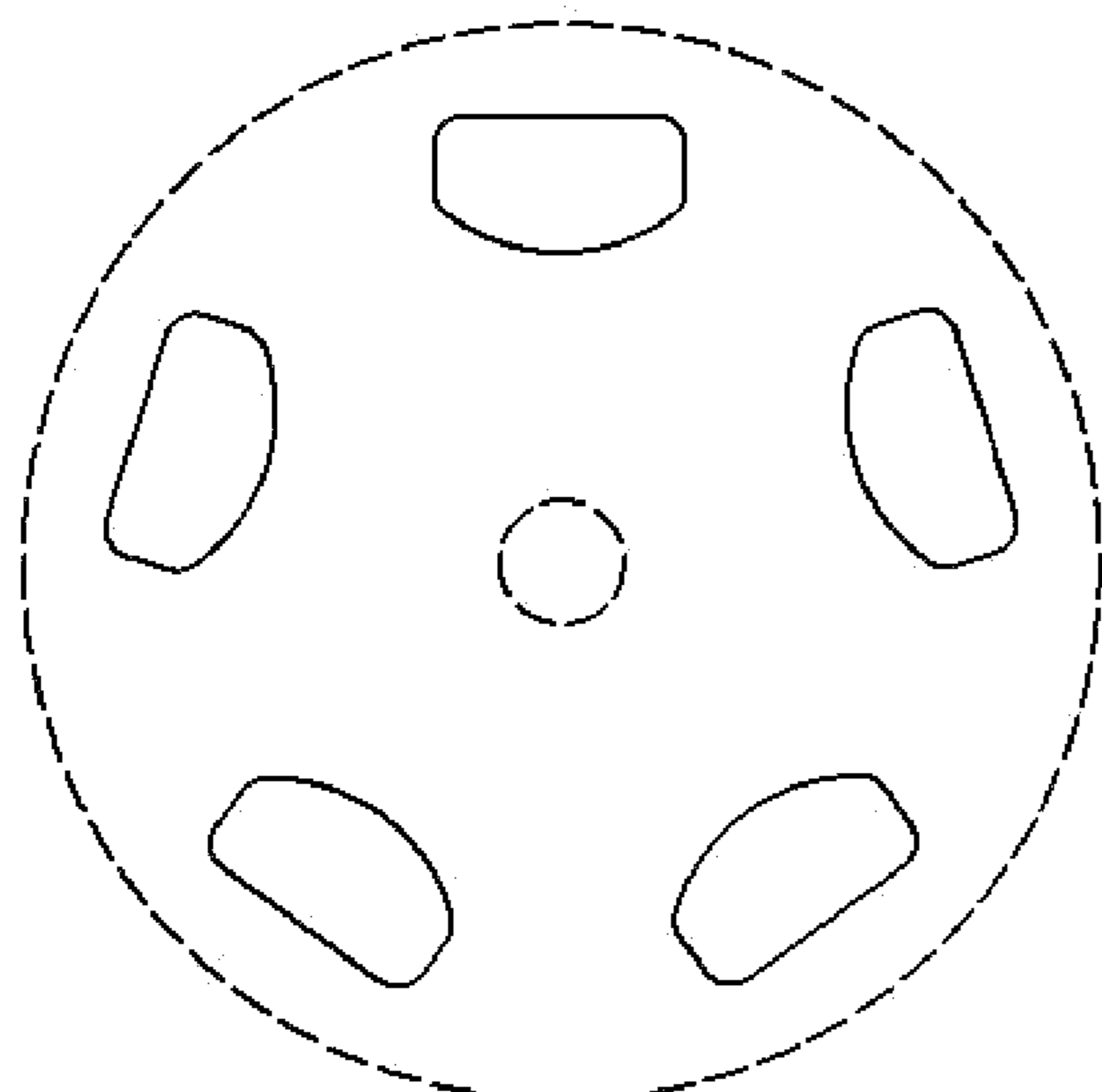
FIG. 5 is a side view of the weight-lifting plate shown in FIG. 4; and,

FIG. 6 is a perspective view of the weight-lifting plate shown in FIG. 4.

The opposite side of the weight-lifting plate shown in FIG. 1 and is the mirror image thereof. Likewise, the opposite side of the weight-lifting plate shown in FIG. 4 is the mirror image thereof.

The dotted line portions of the drawing disclosure are for illustrative purposes only and form no part of the claimed design.

1 Claim, 2 Drawing Sheets



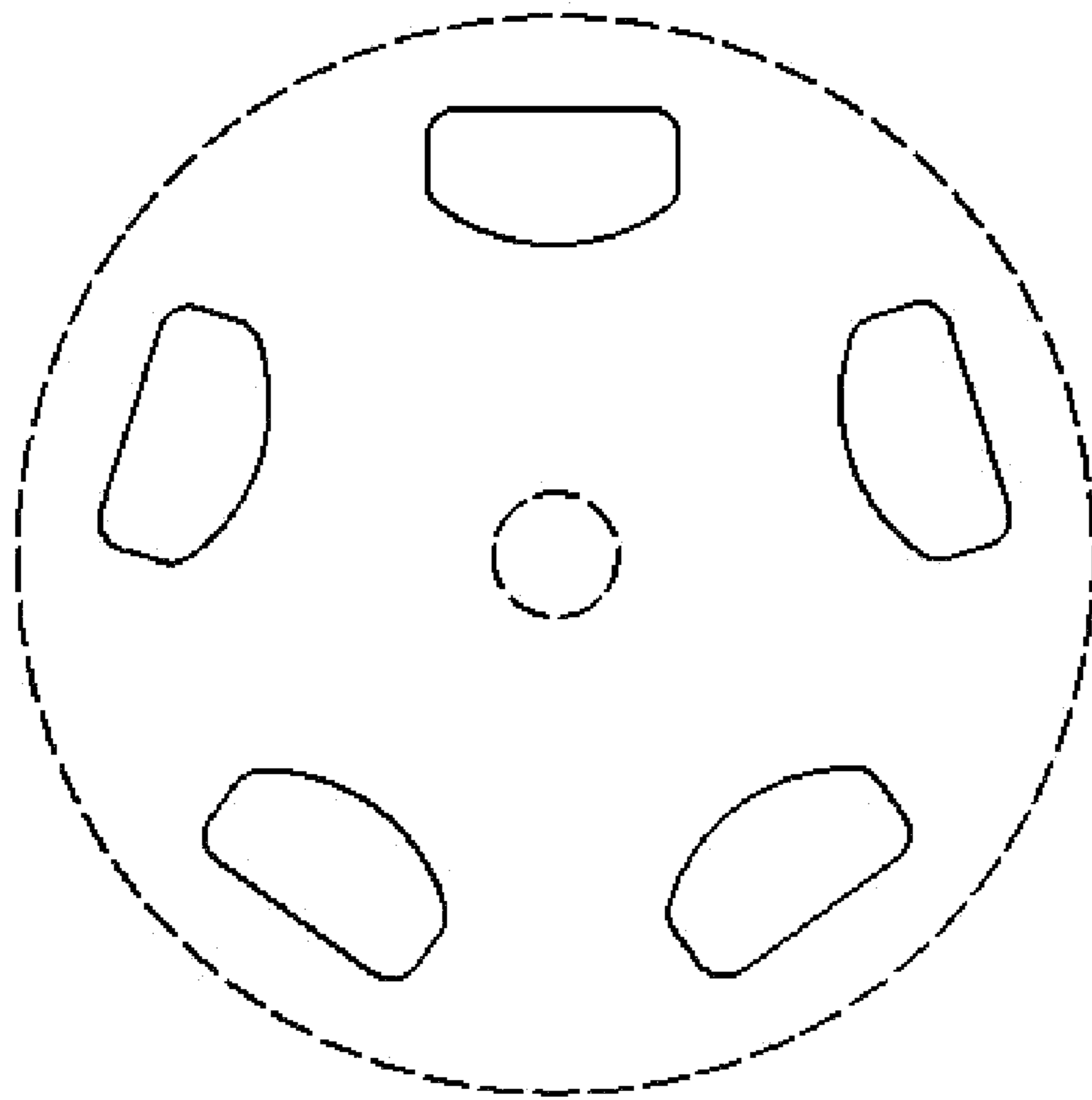


FIG. 1



FIG. 2

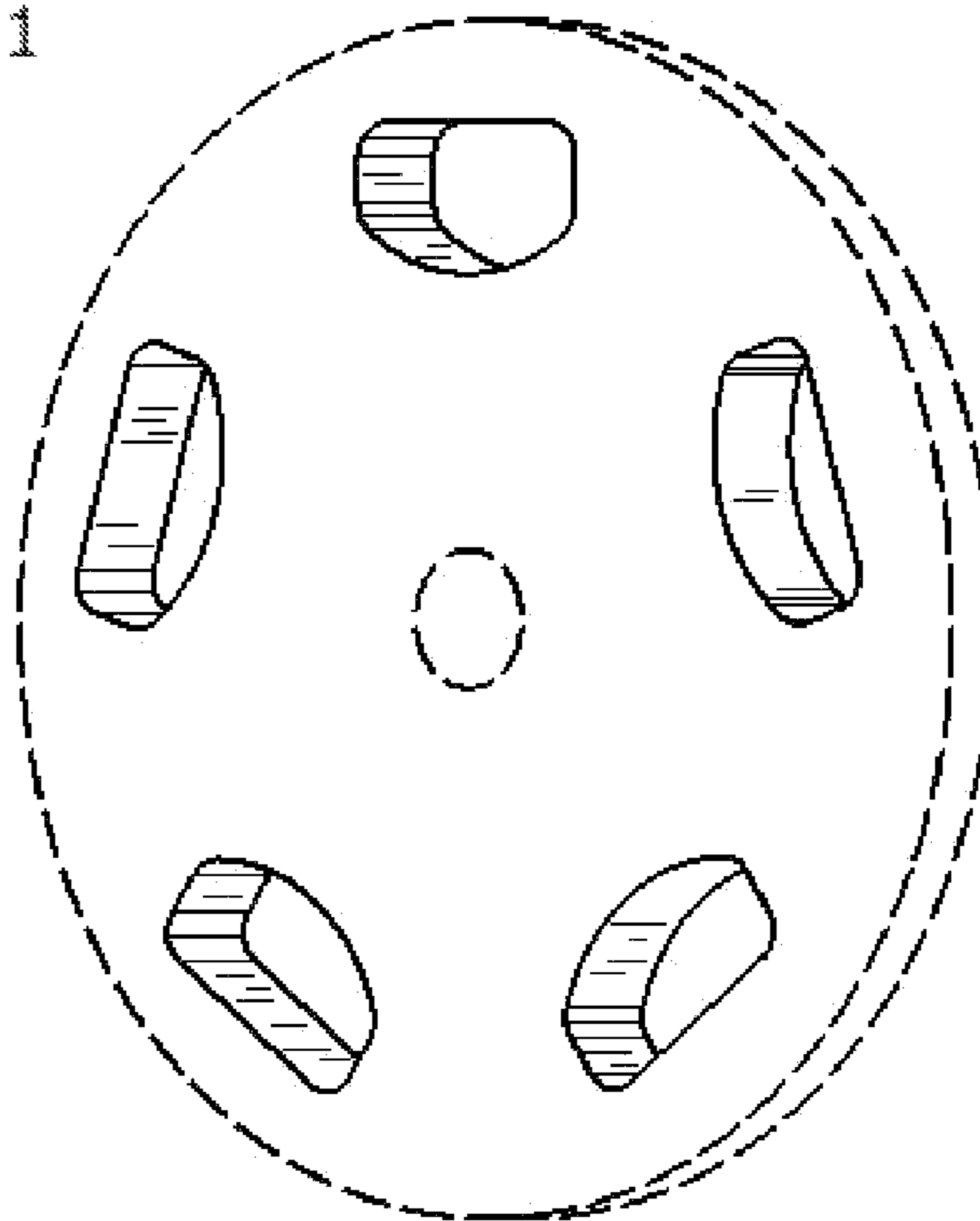


FIG. 3

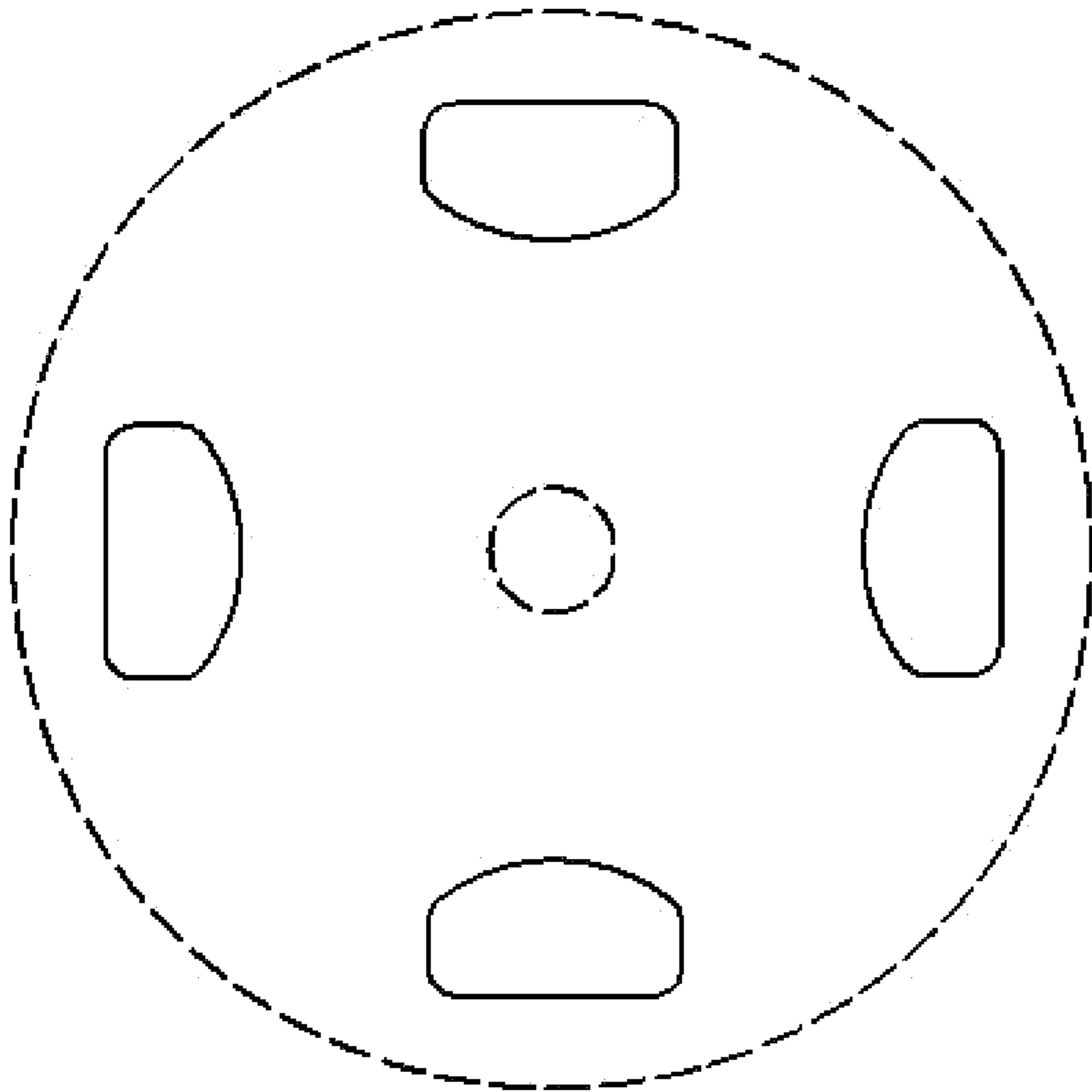


FIG. 4

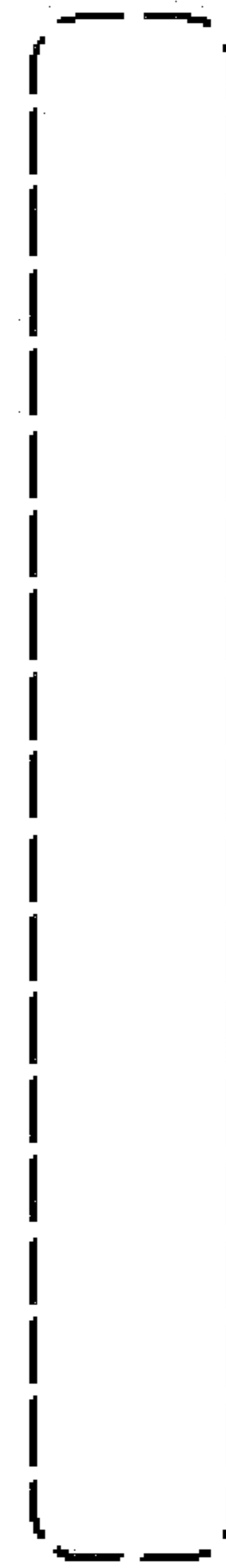


FIG. 5

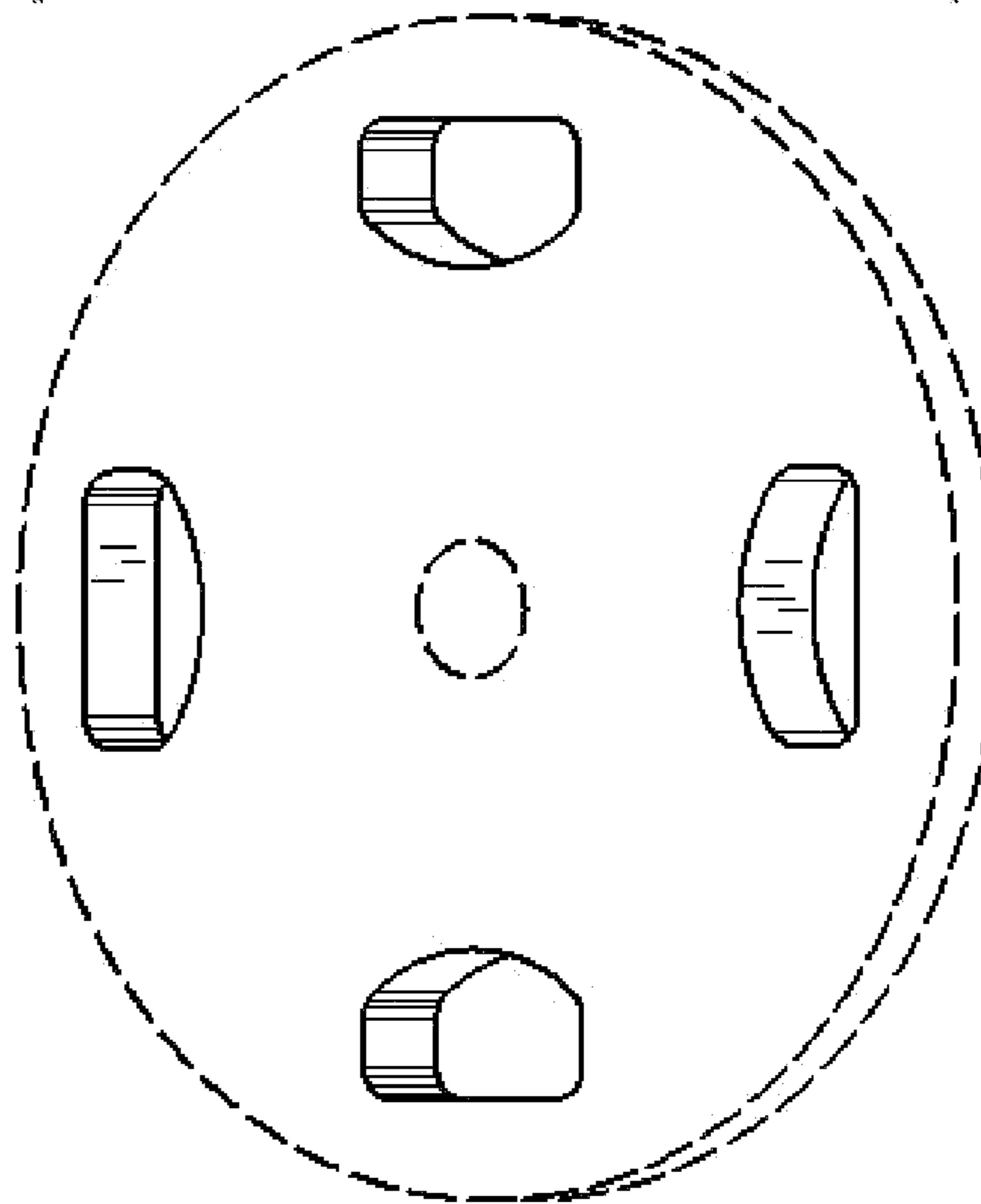


FIG. 6