



US00D572317S

(12) **United States Design Patent**  
**Lam**

(10) **Patent No.:** **US D572,317 S**

(45) **Date of Patent:** **\*\* Jul. 1, 2008**

(54) **TOY FERRIS WHEEL**

(75) Inventor: **Yuen-Ming Lam**, Chai Wan (CN)

(73) Assignee: **Goldmaster Development Limited**,  
Chai Wan, Hong Kong (CN)

(\*\*) Term: **14 Years**

(21) Appl. No.: **29/289,912**

(22) Filed: **Aug. 6, 2007**

(30) **Foreign Application Priority Data**

Mar. 23, 2007 (HK) ..... 0700817

(51) **LOC (8) Cl.** ..... **21-01**

(52) **U.S. Cl.** ..... **D21/530**

(58) **Field of Classification Search** ..... D21/483,  
D21/493, 530, 811, 814, 829, 830; 446/236,  
446/273; 472/3, 30, 45, 46

See application file for complete search history.

(56) **References Cited**

**U.S. PATENT DOCUMENTS**

1,867,996 A \* 7/1932 Baer ..... 472/3  
D186,121 S \* 9/1959 Hotkins et al. .... D21/829  
D199,744 S \* 12/1964 McDonald ..... D21/530  
D205,366 S \* 7/1966 Lakin ..... D21/530

D211,035 S \* 5/1968 Spengler ..... D21/530  
D225,880 S \* 1/1973 Splegel ..... D21/530  
4,476,649 A \* 10/1984 Zaruba ..... 446/273  
D285,592 S \* 9/1986 Kushner ..... D21/493  
7,311,581 B2 \* 12/2007 Hsu ..... 446/236

\* cited by examiner

*Primary Examiner*—Holly H. Baynham

*Assistant Examiner*—Cynthia M Chin

(74) *Attorney, Agent, or Firm*—Alix, Yale & Ristas, LLP

(57) **CLAIM**

The ornamental design for a toy ferris wheel, as shown and described.

**DESCRIPTION**

FIG. 1 is a front perspective view of a toy ferris wheel showing my new design;

FIG. 2 is a front elevational view thereof;

FIG. 3 is a rear elevational view thereof;

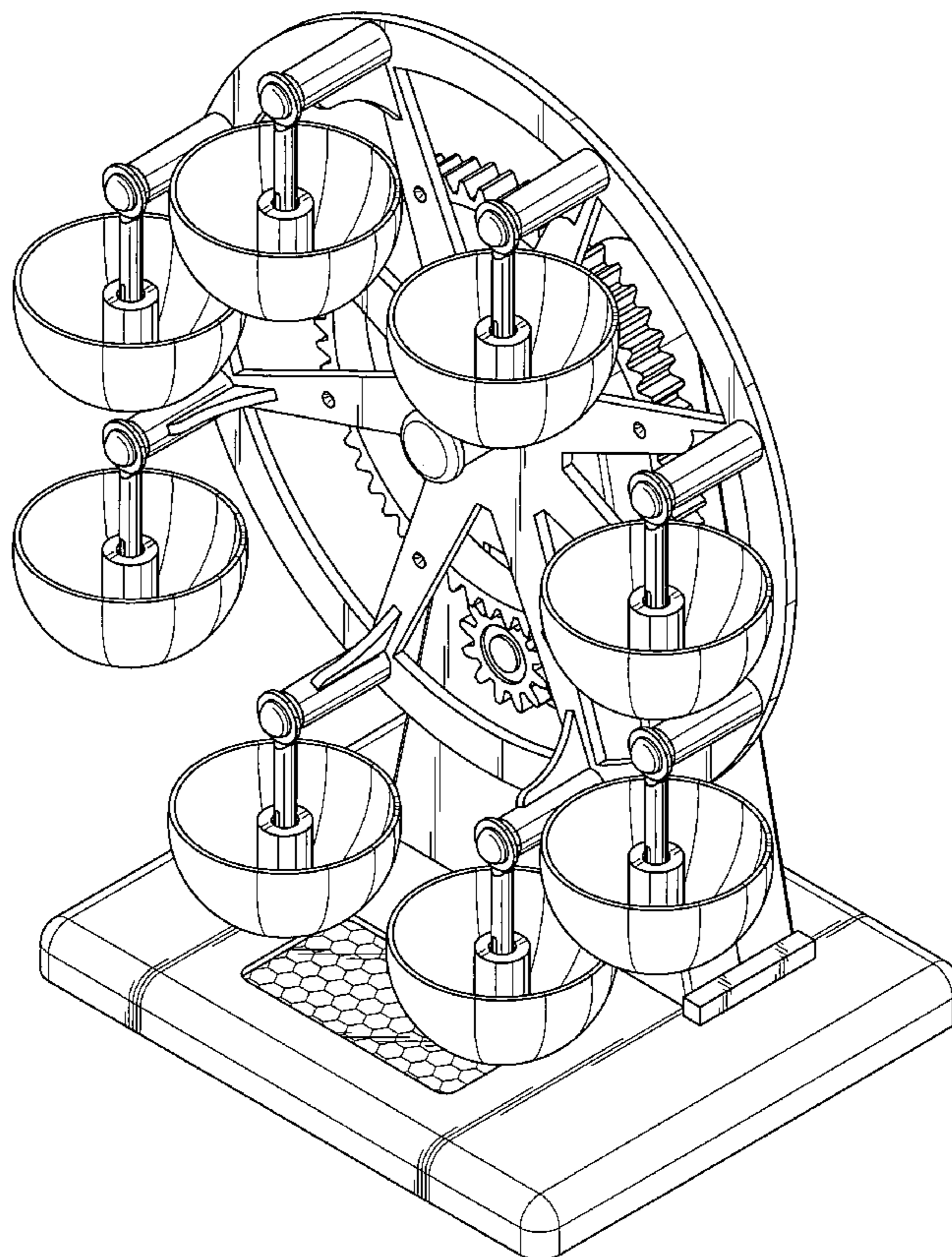
FIG. 4 is a left side elevational view thereof;

FIG. 5 is a right side elevational view thereof;

FIG. 6 is a top plan view thereof; and,

FIG. 7 is a bottom plan view thereof.

**1 Claim, 7 Drawing Sheets**



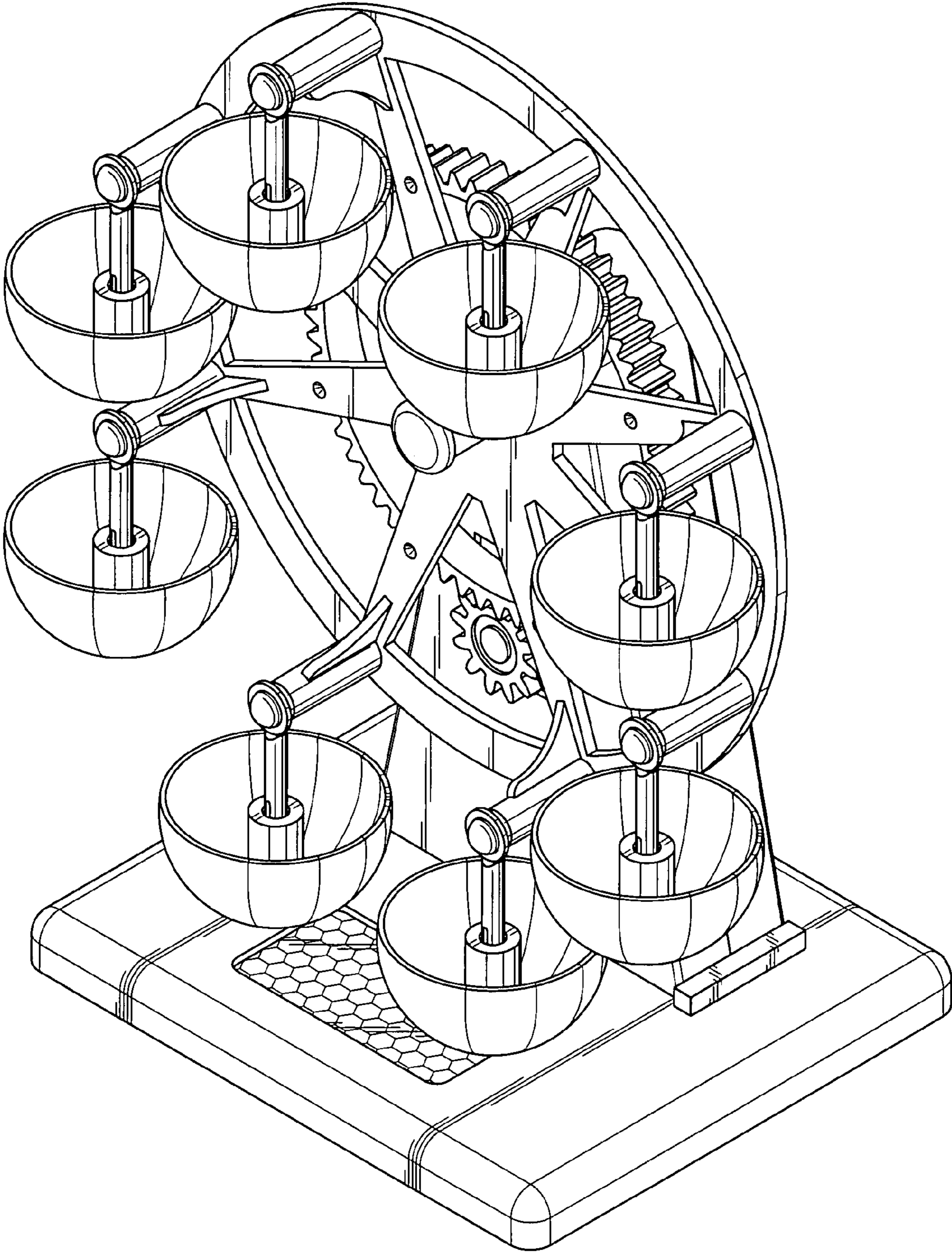


FIG. 1

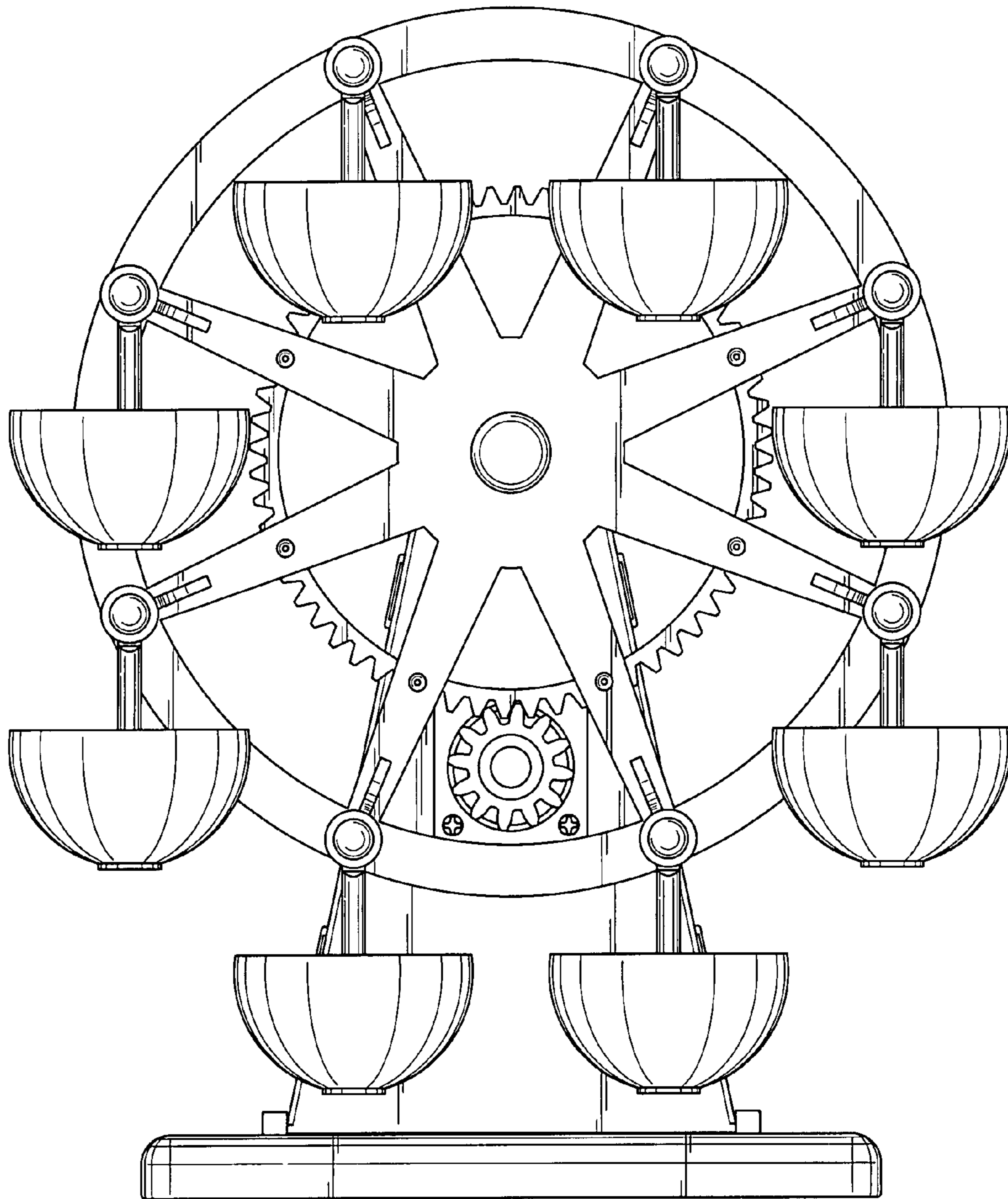


FIG. 2

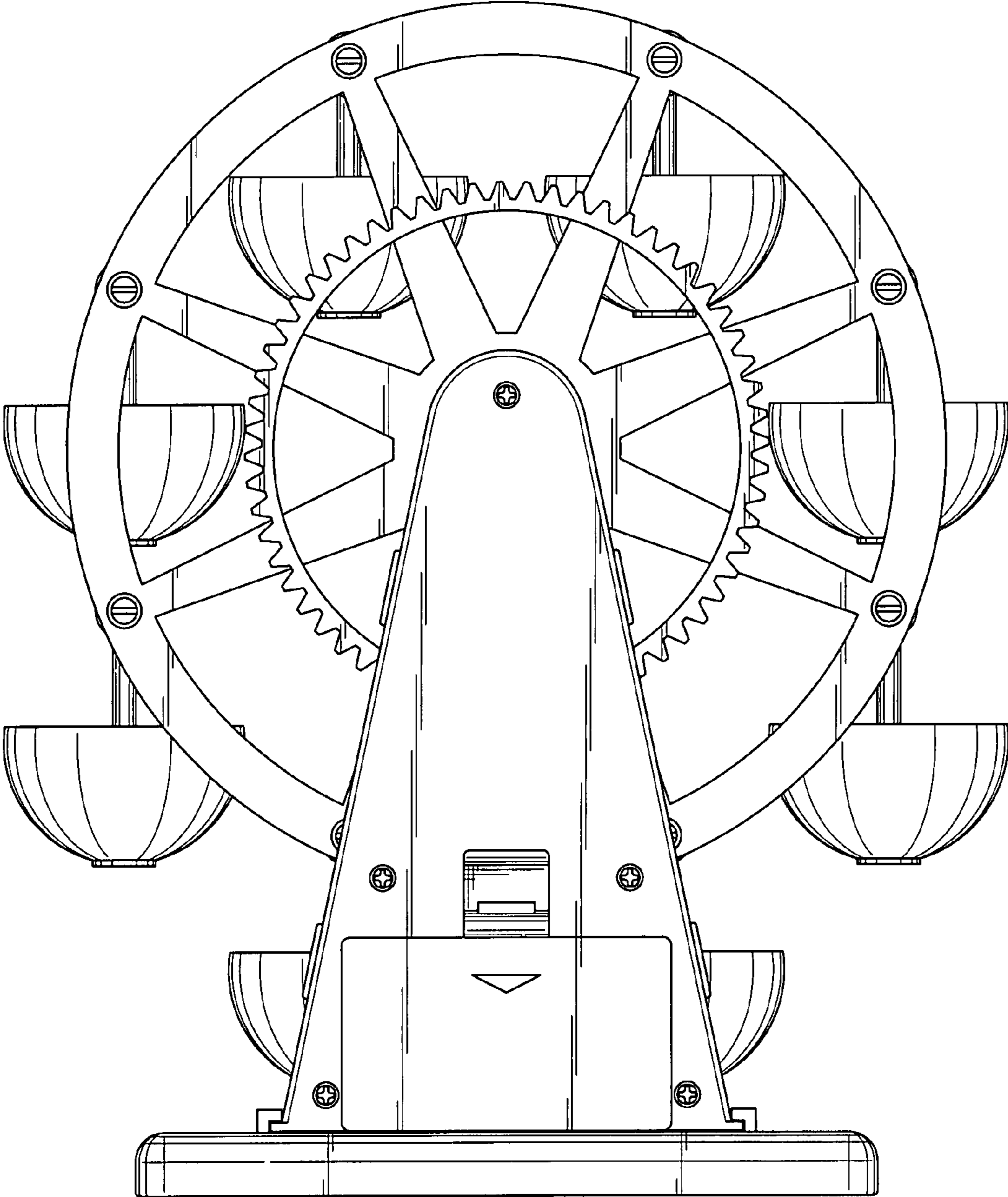


FIG. 3

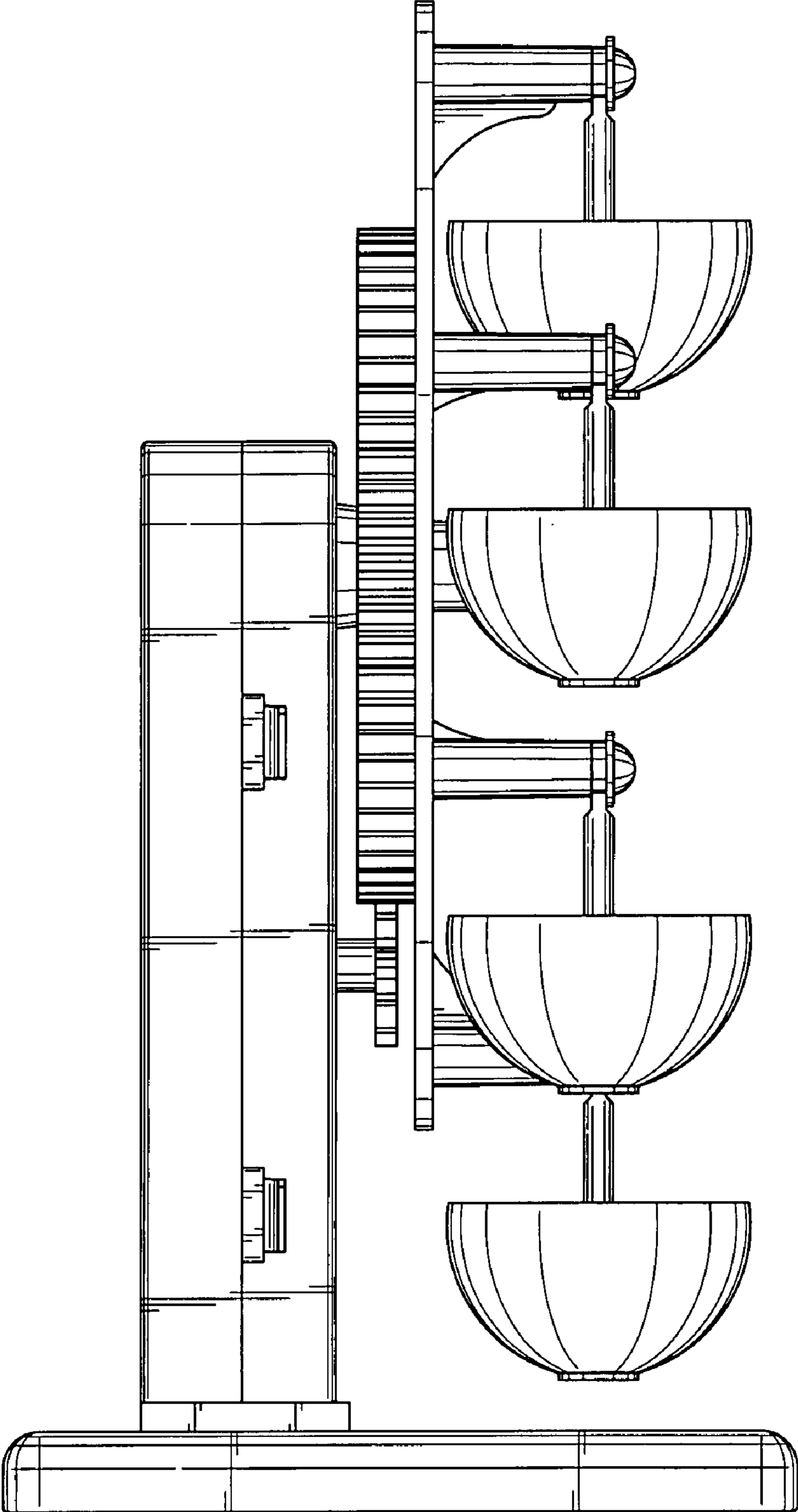


FIG. 4

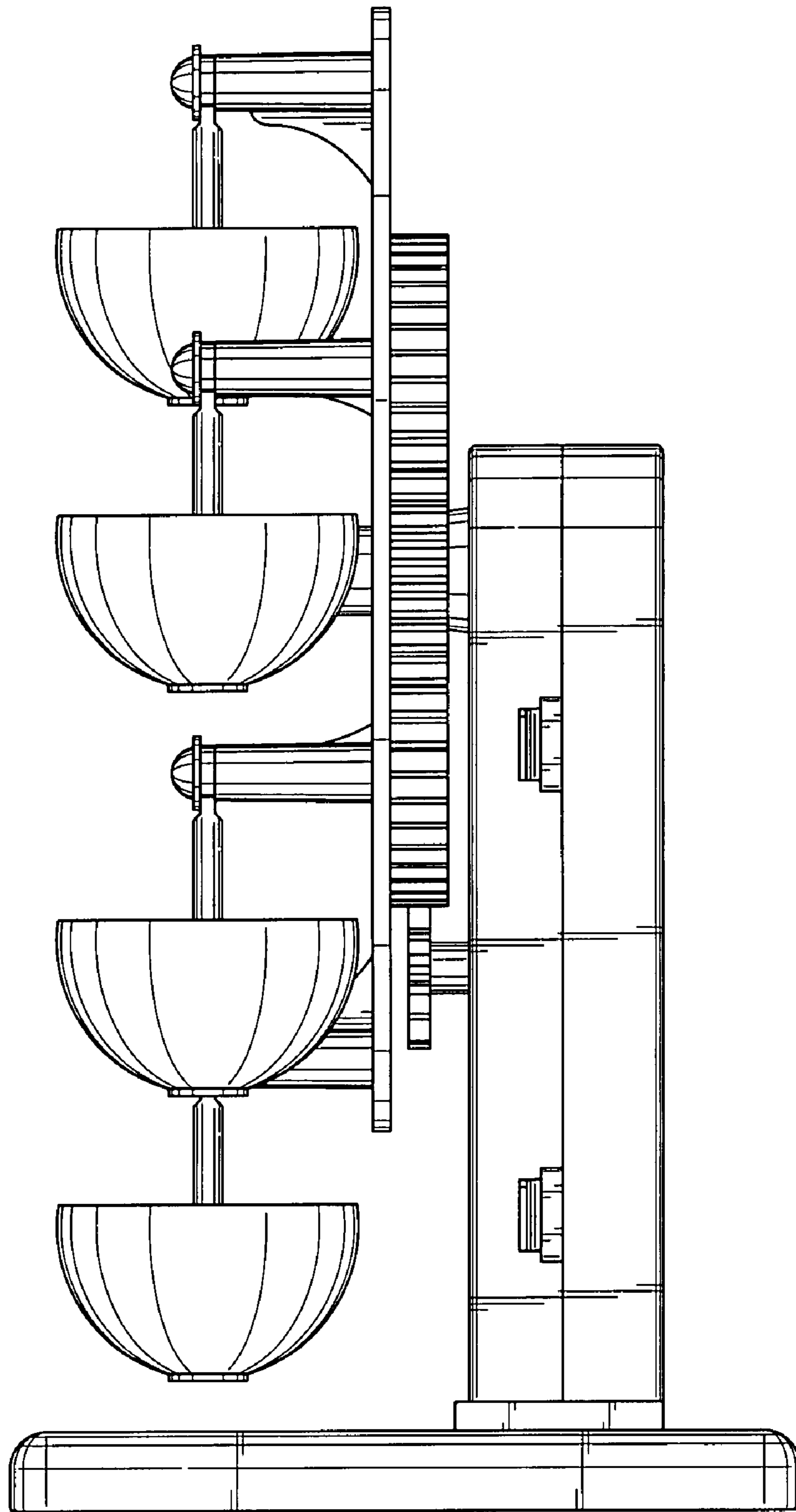


FIG. 5

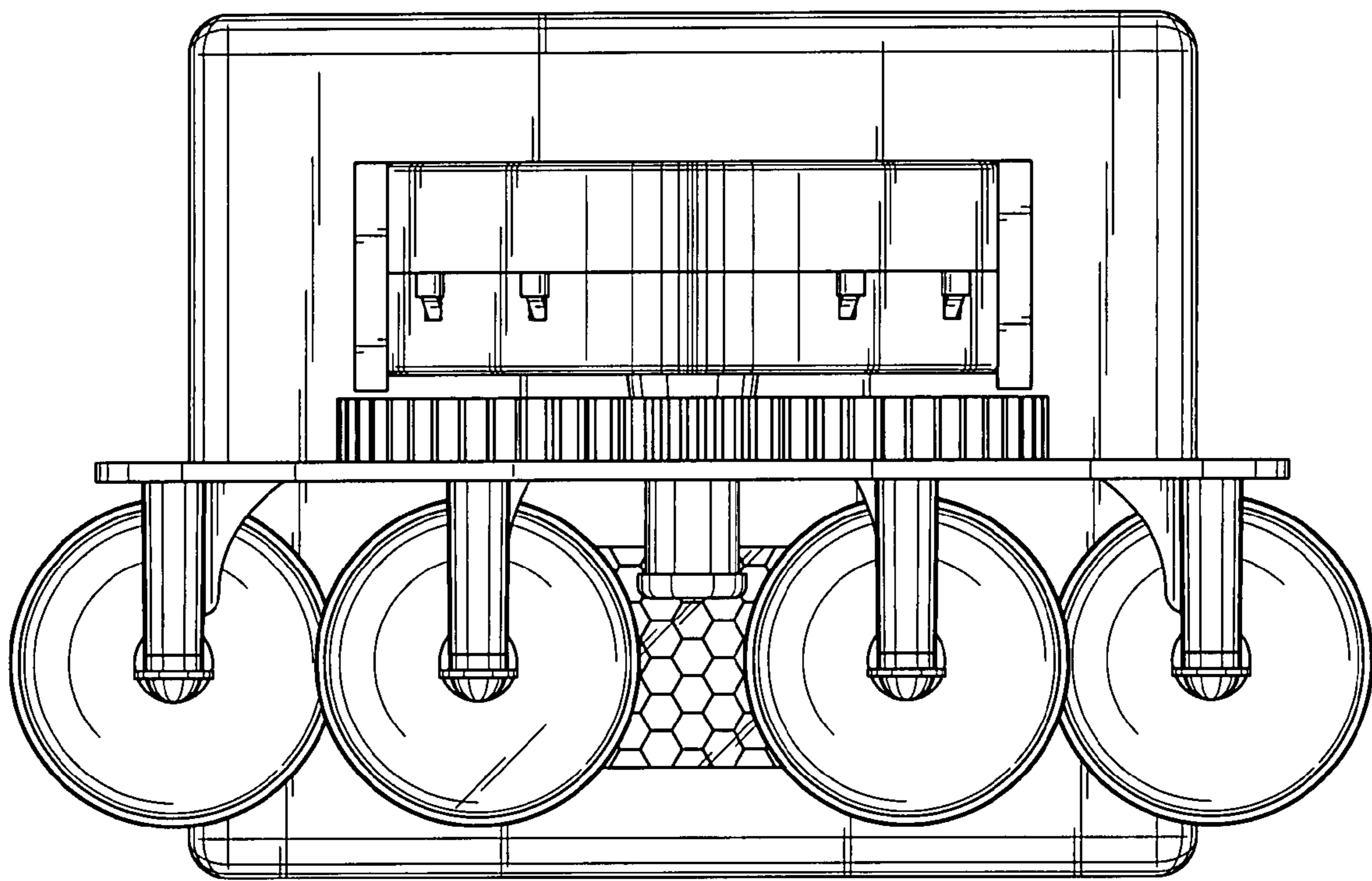


FIG. 6

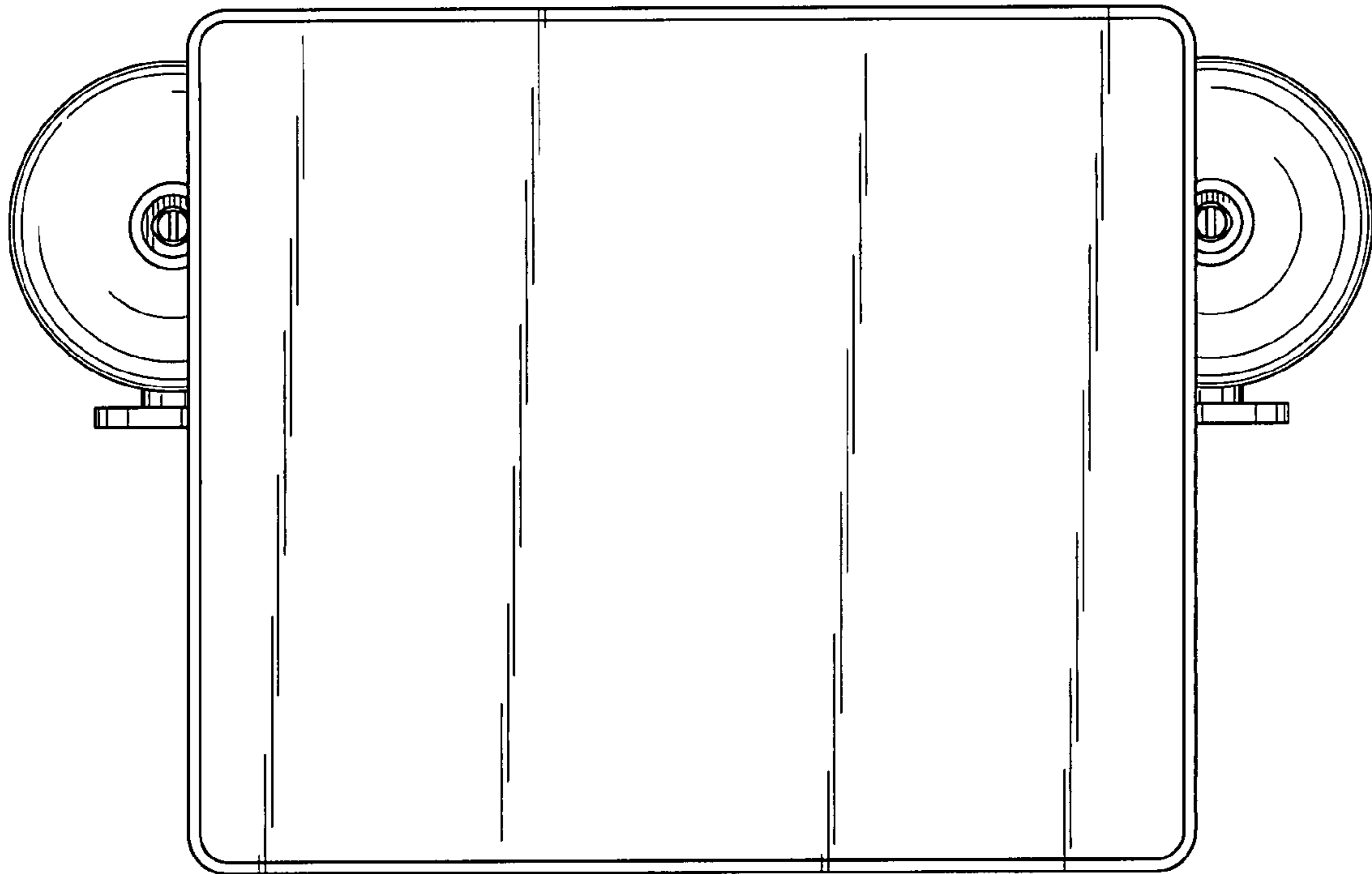


FIG. 7