



US00D572315S

(12) **United States Design Patent**
Sowinski

(10) **Patent No.:** **US D572,315 S**
(45) **Date of Patent:** **** Jul. 1, 2008**

(54) **FLYING DISK WITH REMOTE**
(76) Inventor: **Thomas D. Sowinski**, 4221 N. Rapids Rd., Manitowoc, WI (US) 54220
(**) Term: **14 Years**
(21) Appl. No.: **29/288,703**
(22) Filed: **Jun. 20, 2007**
(51) **LOC (8) Cl.** **21-01**
(52) **U.S. Cl.** **D21/443**
(58) **Field of Classification Search** D21/333, D21/405, 436, 441-444, 453, 566; D13/168, D13/171; D14/218; D10/104, 106, 121; D3/207-209; 446/34-68, 81, 213, 216, 265, 446/397, 484; 473/569-571, 575, 576, 588-590; 119/707-711
See application file for complete search history.

4,869,699 A * 9/1989 Plambeck et al. 446/47
D346,152 S * 4/1994 Zaugg D13/168
6,127,920 A * 10/2000 Chen 340/425.5
6,366,202 B1 * 4/2002 Rosenthal 340/539.32
6,695,666 B2 * 2/2004 Nikonorov 446/46
D548,728 S * 8/2007 Yoshiyama D14/218

* cited by examiner

Primary Examiner—Catherine Tuttle
(74) *Attorney, Agent, or Firm*—David J. Wilson

(56) **References Cited**

U.S. PATENT DOCUMENTS

D183,626 S * 9/1958 Morrison D21/444
3,359,678 A * 12/1967 Headrick 446/46
3,545,760 A * 12/1970 Wilson 473/588
4,086,723 A * 5/1978 Strawick 446/47
4,209,936 A * 7/1980 Sklar 446/46
4,254,575 A * 3/1981 Gould 446/46
4,607,850 A * 8/1986 O'Riley 473/588
4,681,553 A * 7/1987 Rodarte 446/46

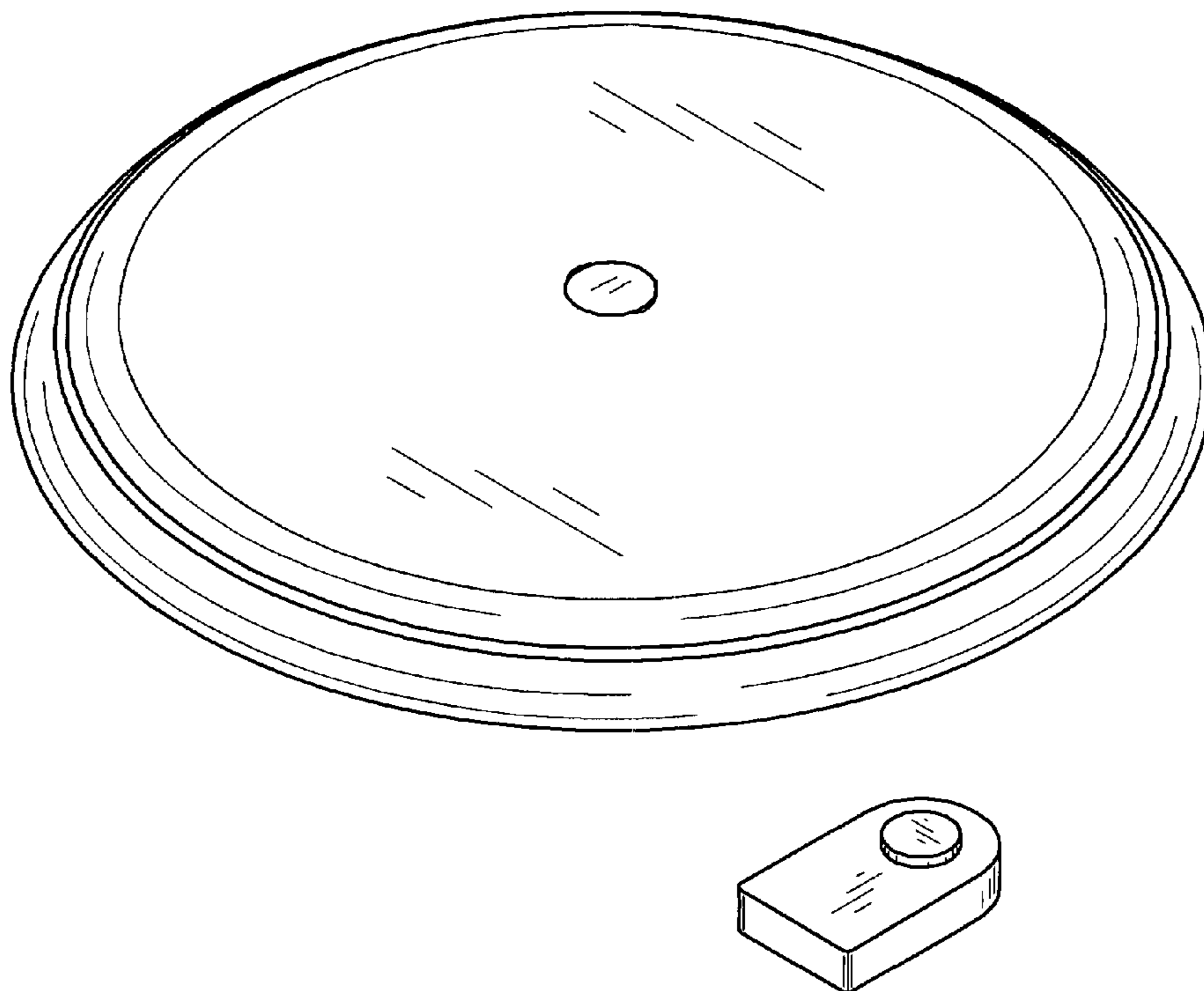
(57) **CLAIM**

The ornamental design for a flying disk with remote, as shown and described.

DESCRIPTION

FIG. 1 is a top view showing my new design for a flying disk with remote;
FIG. 2 is a bottom view thereof;
FIG. 3 is an elevation view showing the right side of FIG. 1;
FIG. 4 is an elevation view showing the upper side of FIG. 1;
FIG. 5 is an elevation view showing the lower side of FIG. 1; and,
FIG. 6 is a perspective view thereof.
The broken lines are included for the purpose of illustrating portions of the disk that form no part of the claimed design.

1 Claim, 4 Drawing Sheets



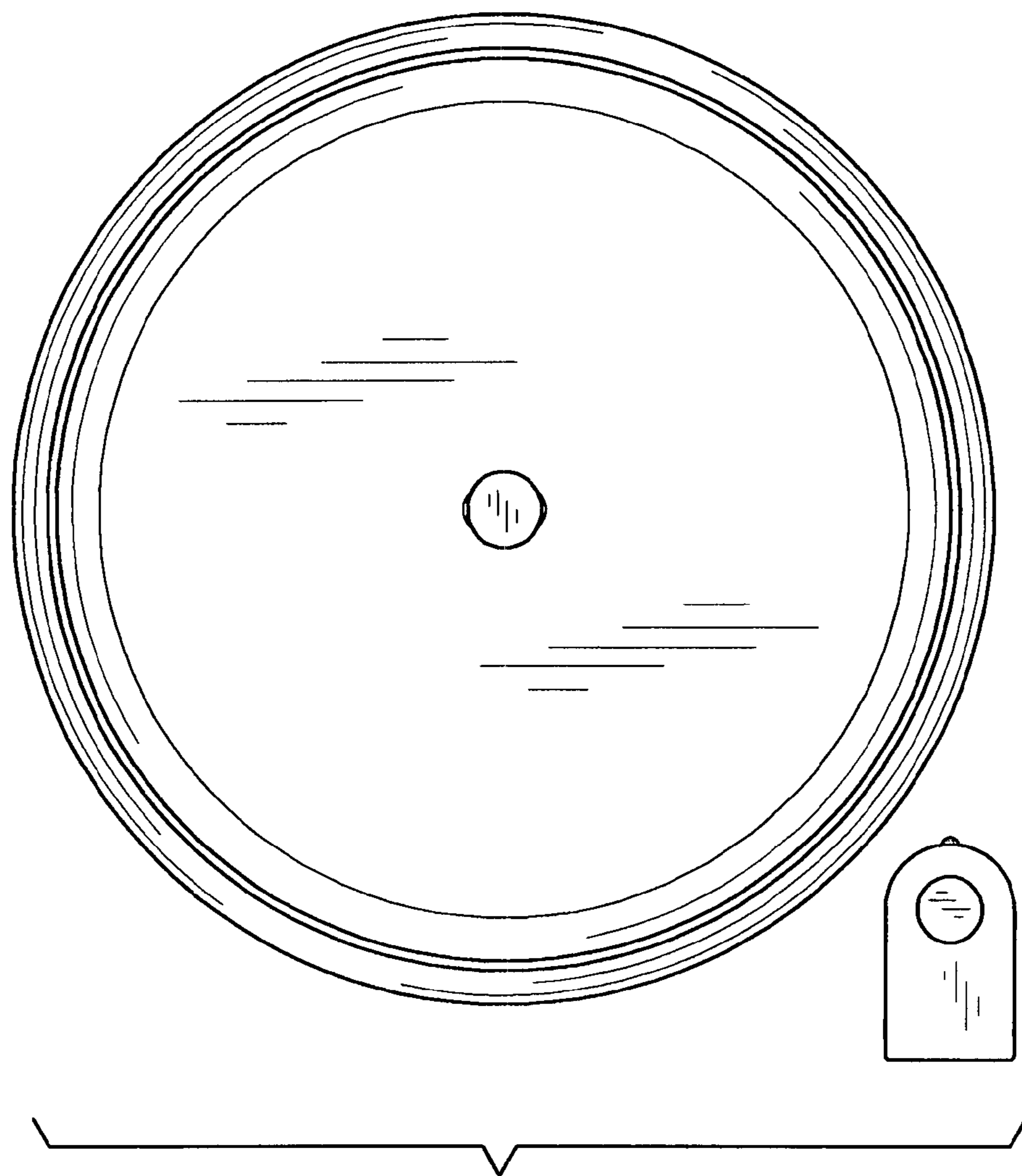


FIG. 1

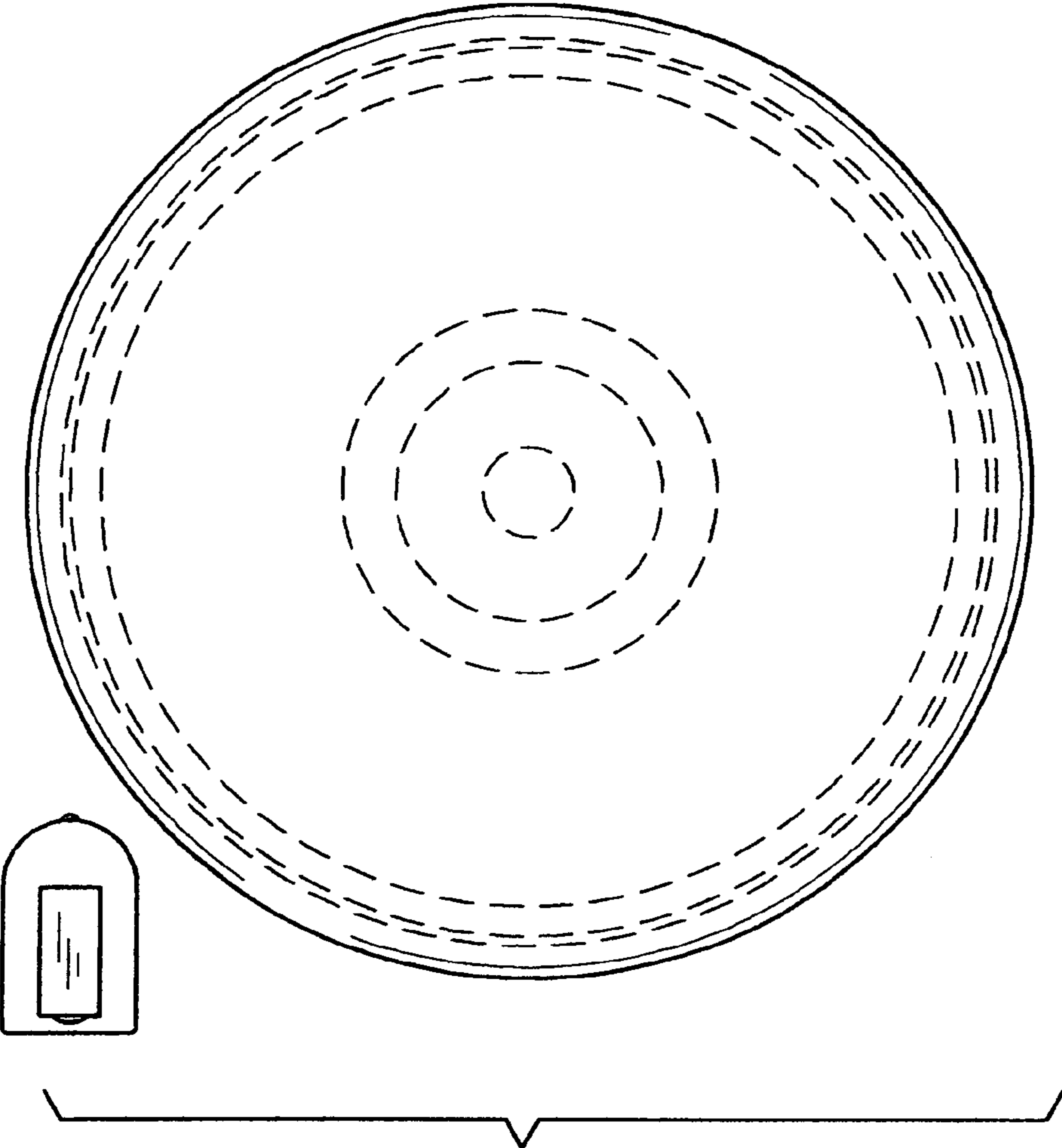


FIG. 2

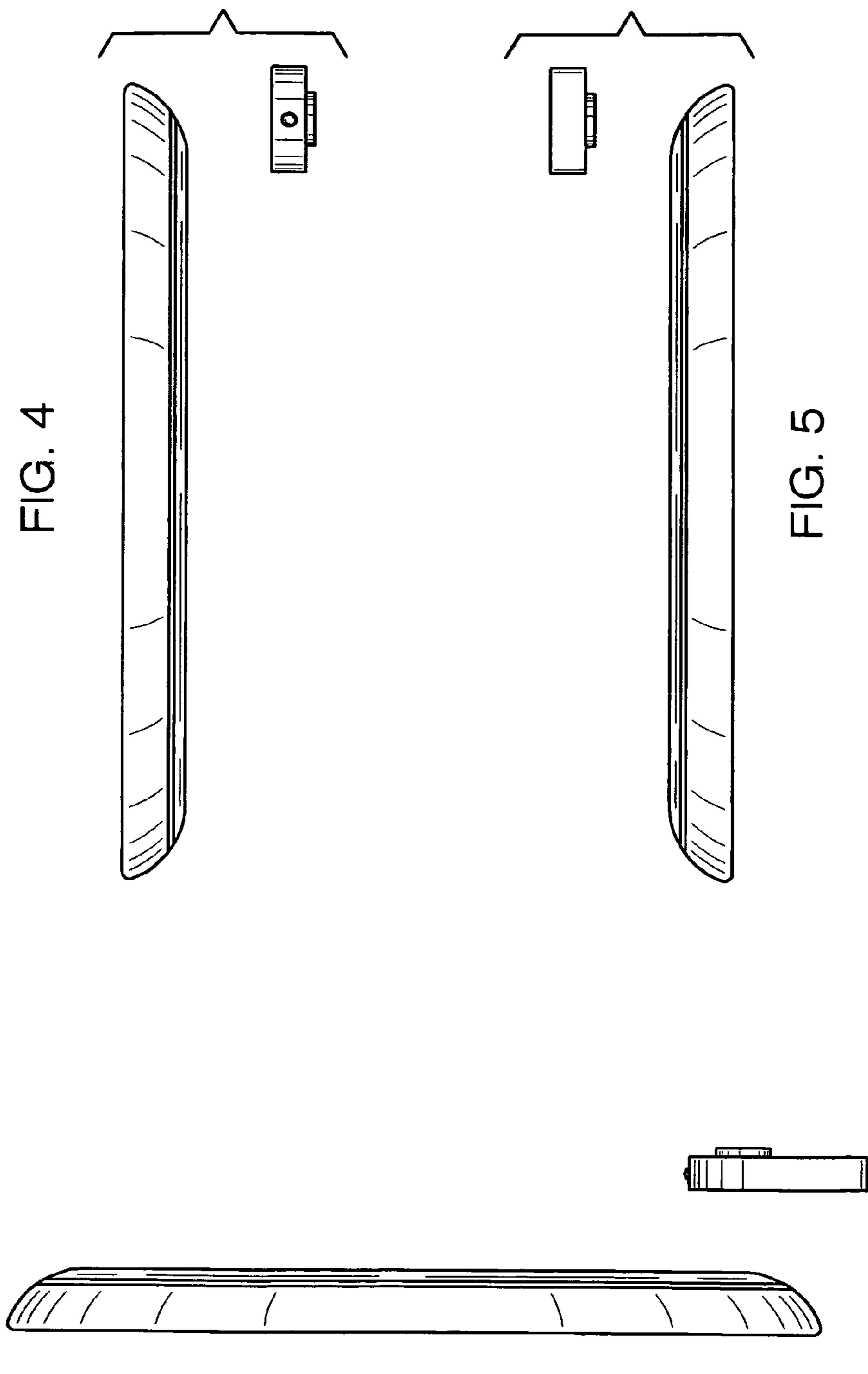


FIG. 4

FIG. 5

FIG. 3

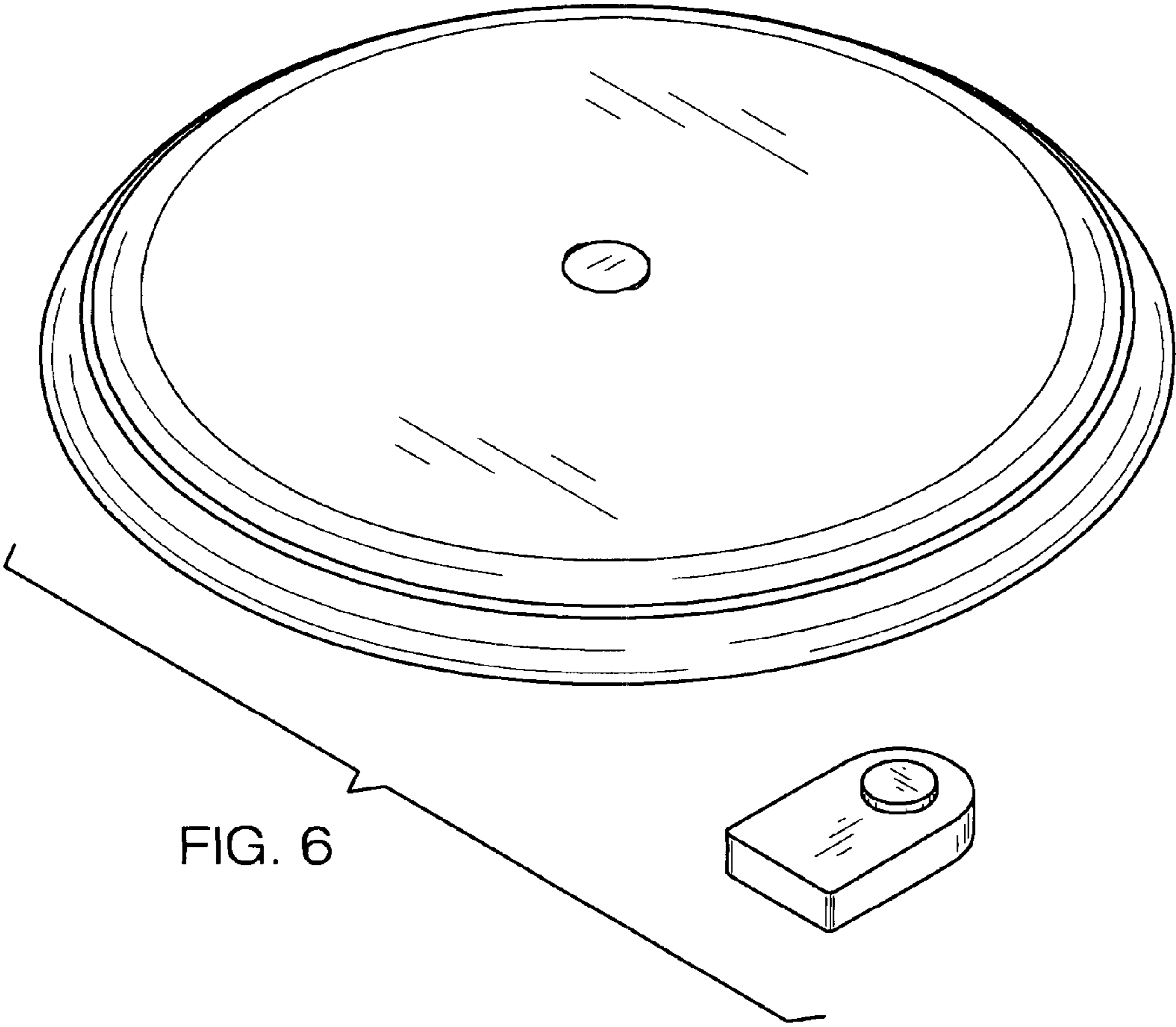


FIG. 6