

US00D572314S

(12) **United States Design Patent**
Vallejo et al.

(10) **Patent No.:** **US D572,314 S**
(45) **Date of Patent:** **** *Jul. 1, 2008**

(54) **DUAL WIDE-SCREEN GAMING MACHINE**

2003/0064784 A1 4/2003 Wells et al.
2004/0224745 A1* 11/2004 Bregenzer 463/16
2006/0160598 A1 7/2006 Wells et al.

(75) Inventors: **John Vallejo**, Henderson, NV (US);
David Schultz, Henderson, NV (US)

FOREIGN PATENT DOCUMENTS

(73) Assignee: **Bally Gaming, Inc.**, Las Vegas, NV
(US)

DE M 94 09 371 * 10/1995

* cited by examiner

(**) Term: **14 Years**

Primary Examiner—Sandra L. Morris

(74) *Attorney, Agent, or Firm*—J. P. Cody; Andrew B. Chen

(21) Appl. No.: **29/247,798**

(57) **CLAIM**

(22) Filed: **Jul. 12, 2006**

The ornamental design for a dual wide-screen gaming machine, as shown and described.

(51) **LOC (8) Cl.** **21-03**

(52) **U.S. Cl.** **D21/370**

(58) **Field of Classification Search** D21/325,
D21/329, 369–371; D14/307; 463/16–17,
463/20, 25, 46–47

DESCRIPTION

See application file for complete search history.

FIG. 1 is a perspective view of a gaming machine, showing my new design;

FIG. 2 is a front elevational view thereof;

FIG. 3 is a right side elevational view thereof; and,

FIG. 4 is a rear elevational view thereof.

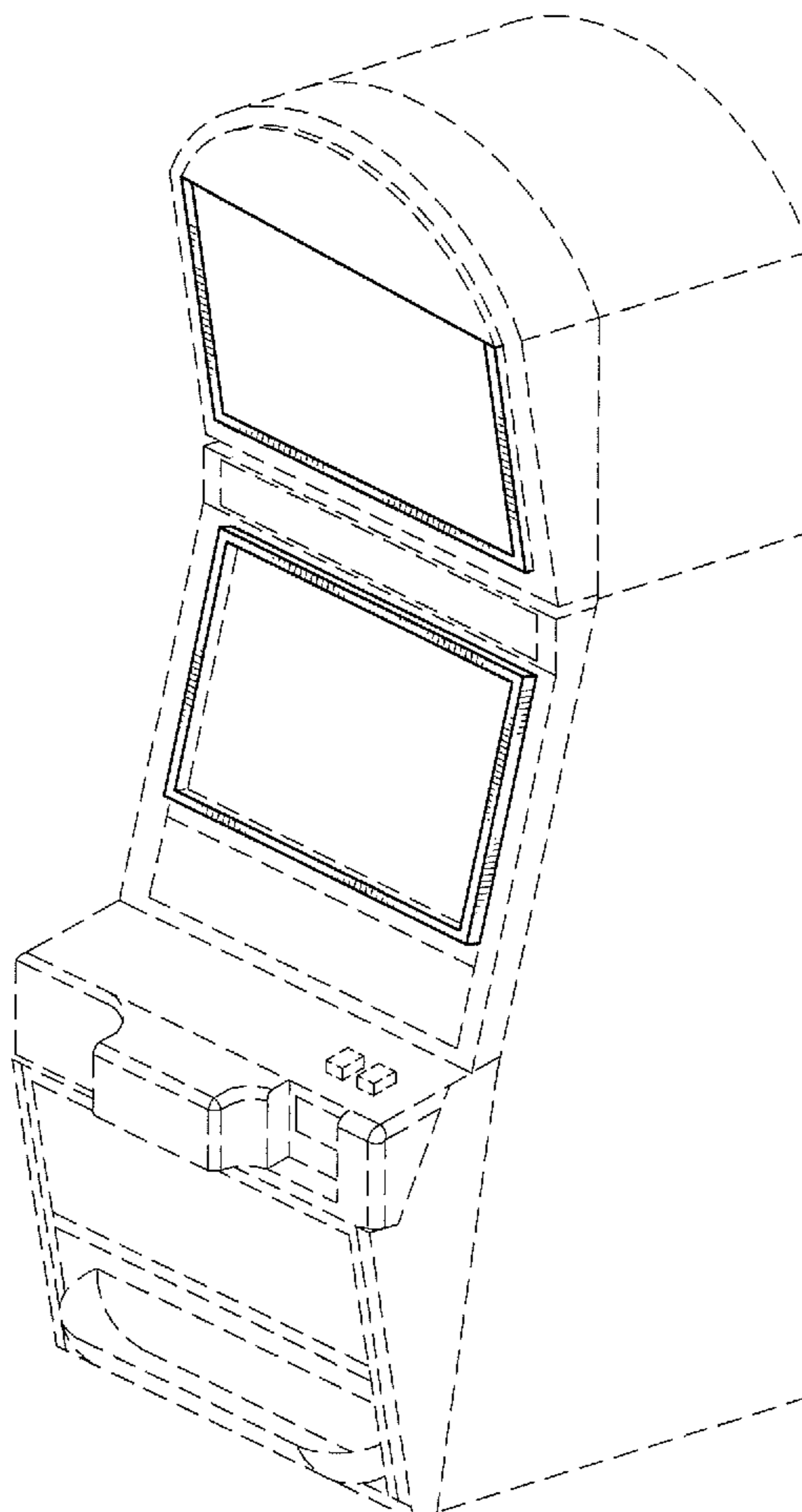
The broken line showing is for illustrative purposes only, and forms no part of the claimed design.

(56) **References Cited**

U.S. PATENT DOCUMENTS

D466,160 S * 11/2002 Hirato et al. D21/325
D495,754 S * 9/2004 Wurz et al. D21/370
D508,961 S * 8/2005 Gatto et al. D21/369

1 Claim, 4 Drawing Sheets



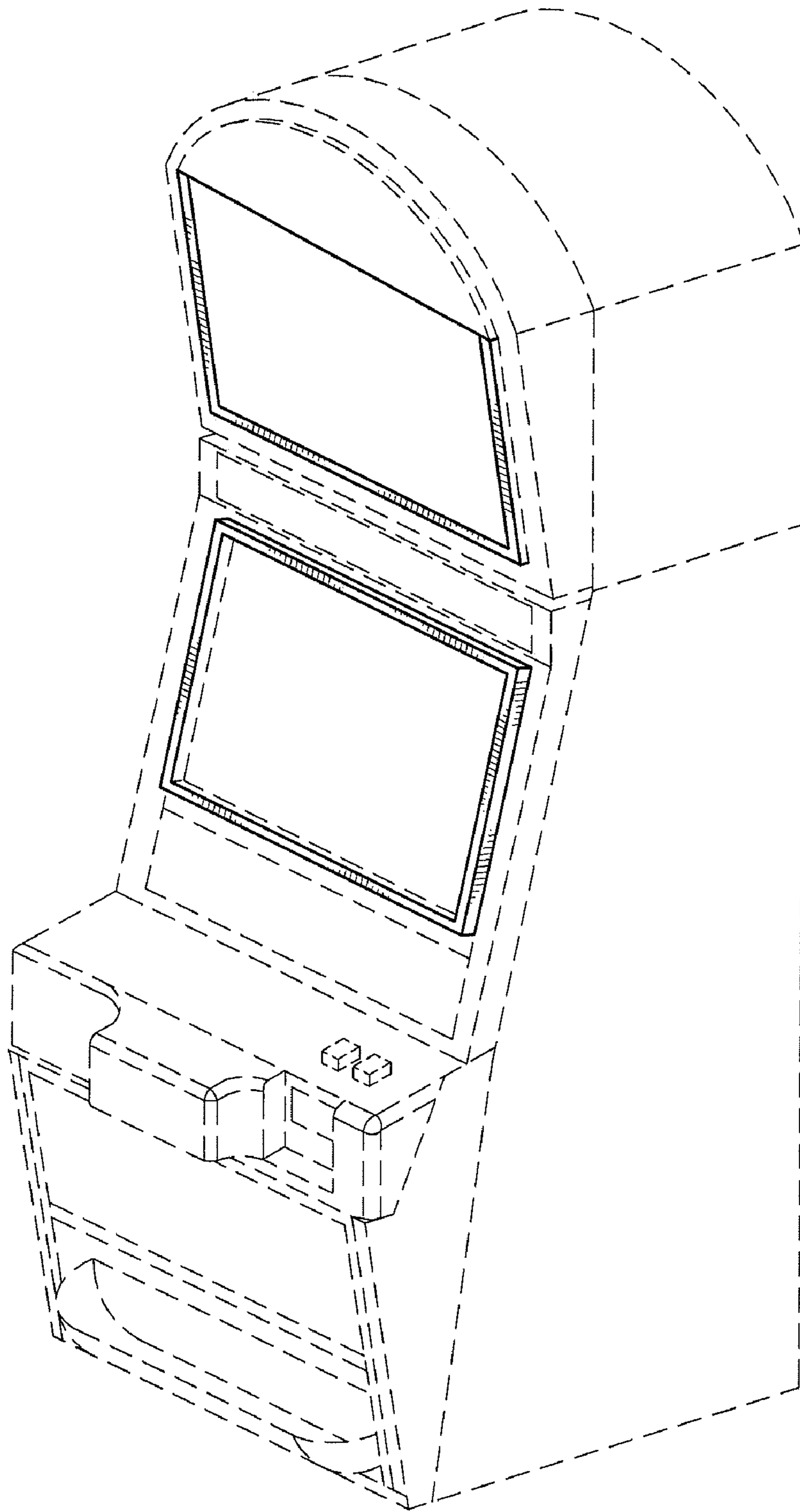


FIG. 1

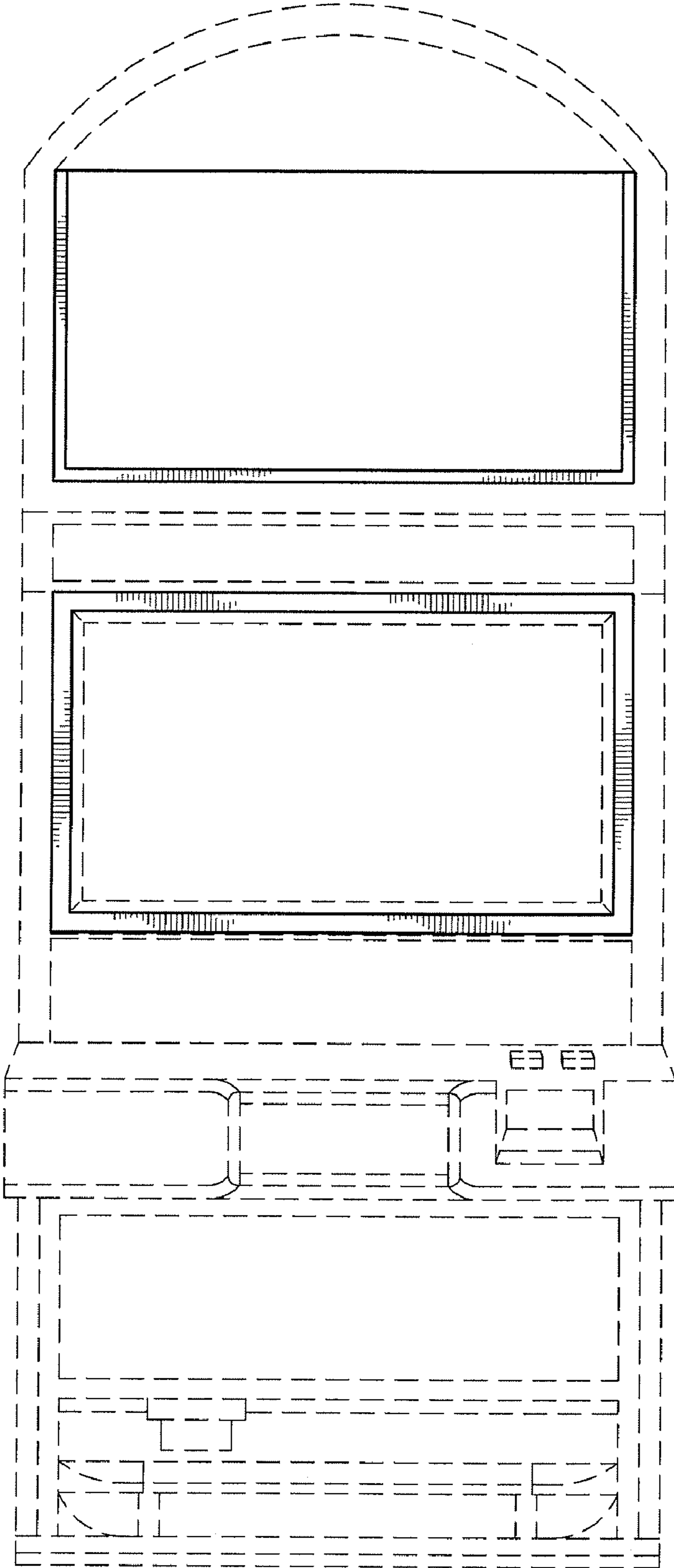


FIG. 2

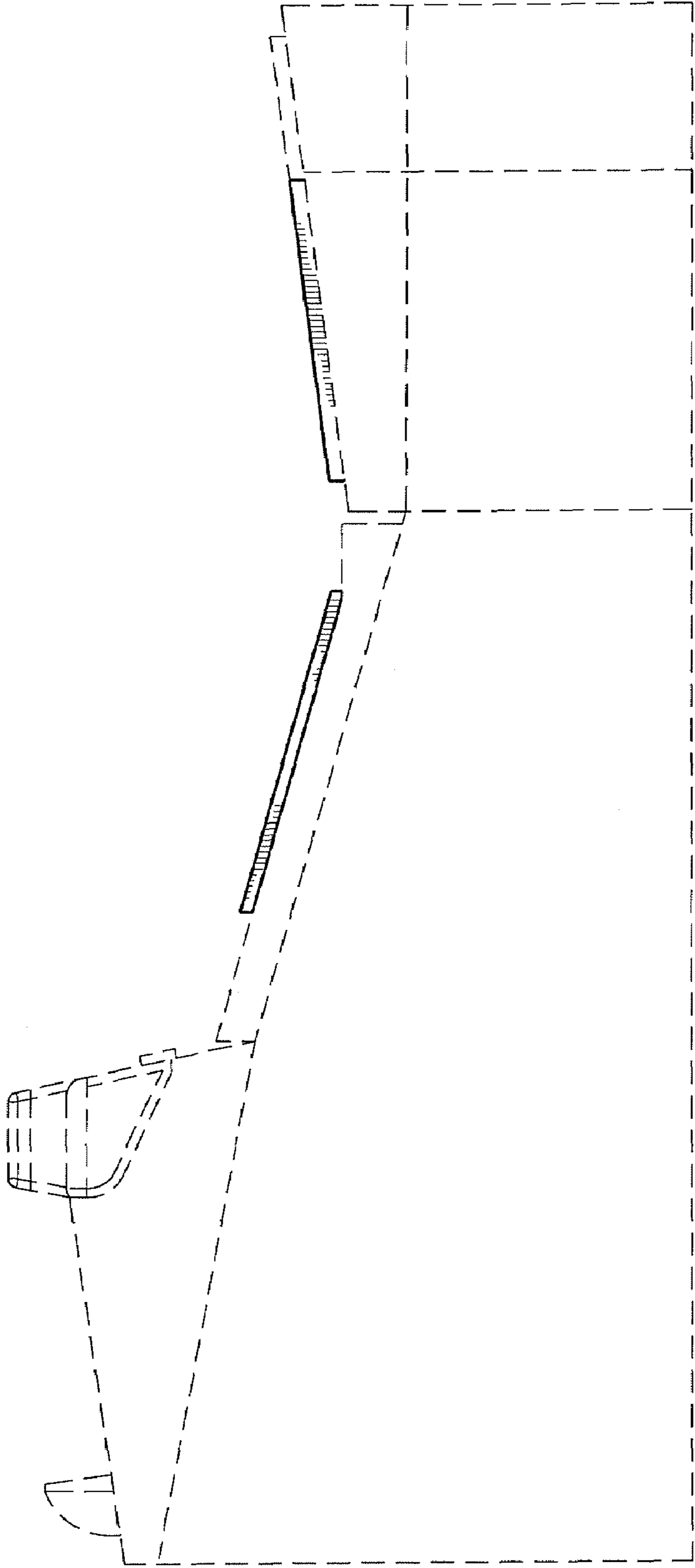


FIG. 3

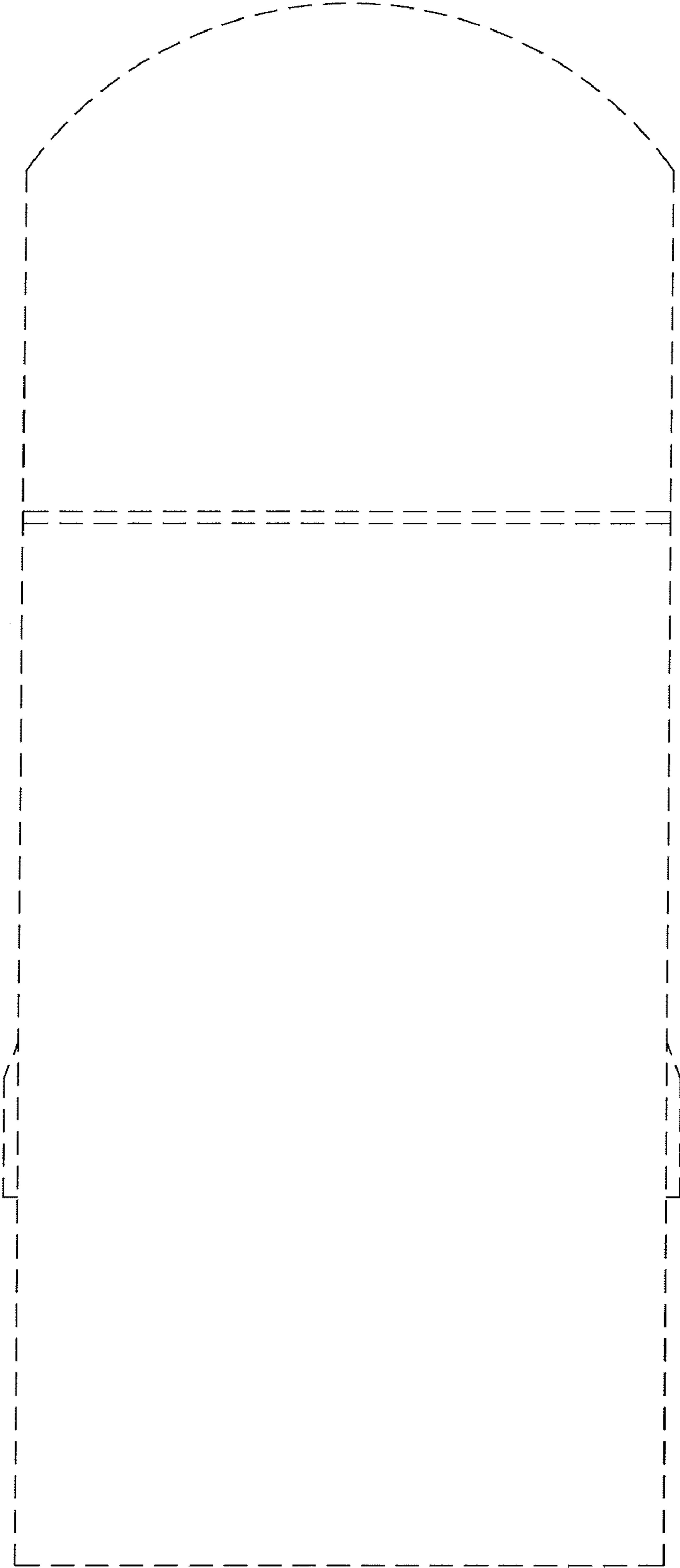


FIG. 4