



US00D572310S

(12) **United States Design Patent**  
**Sandy**

(10) **Patent No.:** **US D572,310 S**  
(45) **Date of Patent:** **\*\* Jul. 1, 2008**

(54) **CLIPBOARD**

(75) Inventor: **Bonni Shevin Sandy**, Morton Grove, IL (US)

(73) Assignee: **Dard Products, Inc.**, Evanston, IL (US)

(\*\*) Term: **14 Years**

(21) Appl. No.: **29/277,484**

(22) Filed: **Feb. 27, 2007**

(51) **LOC (8) Cl.** ..... **19-02**

(52) **U.S. Cl.** ..... **D19/88**

(58) **Field of Classification Search** ..... D6/406.3,  
D6/420; D19/52, 88; 24/67.3, 67.5, 67.7,  
24/67.11; 248/447, 452; 281/44, 45; 362/99  
See application file for complete search history.

(56) **References Cited**

U.S. PATENT DOCUMENTS

799,873	A *	9/1905	Senge	24/67.7
1,460,502	A *	7/1923	Rudesill	24/67.7
D134,966	S *	2/1943	Brinker	D19/88
2,548,389	A *	4/1951	Neikirk	24/67.5
2,943,372	A *	7/1960	Fleming	24/67.7
2,955,194	A *	10/1960	Clyne	362/99
D191,483	S *	10/1961	Cory	D19/88
3,127,649	A *	4/1964	Linsenmayer	24/67.7
3,167,329	A *	1/1965	Ernst	24/67.3
D211,369	S *	6/1968	Hitchcock	D19/88
D218,720	S *	9/1970	Shahan	D10/97
4,014,077	A *	3/1977	Hitchcock et al.	24/67.5
4,157,152	A *	6/1979	Blastic	224/247
4,243,249	A *	1/1981	Goss	281/51
D260,536	S *	9/1981	Saaty	D19/88
4,375,296	A *	3/1983	Chang	281/45
4,726,607	A *	2/1988	White	281/45
4,739,541	A *	4/1988	Pitts	24/67.7
D318,881	S *	8/1991	Chase	D19/88
5,058,242	A *	10/1991	Liu et al.	24/67.7
5,226,215	A *	7/1993	Evenson	24/67.5
5,249,336	A *	10/1993	Miller	24/67.5
D341,626	S *	11/1993	Rosmarin et al.	D19/88
D349,516	S *	8/1994	Svee	D20/42

D349,733	S *	8/1994	Svee	D20/42
5,516,151	A *	5/1996	Mund et al.	281/45
D371,806	S *	7/1996	Boone et al.	D19/52
D388,830	S *	1/1998	Ming-Chieh	D19/88
5,725,250	A *	3/1998	Balderrama	281/45
5,732,925	A *	3/1998	Shamoon	248/452
5,823,574	A *	10/1998	Sullins et al.	281/45
D411,861	S *	7/1999	Bernstein	D19/88
D446,549	S *	8/2001	Cheris et al.	D18/88
D449,340	S *	10/2001	Beno	D19/52
D450,348	S *	11/2001	Beno	D19/52
6,443,588	B1 *	9/2002	Nunez	362/99
6,637,774	B2 *	10/2003	Gaska	281/45
D490,472	S *	5/2004	Nuttall et al.	D19/88
6,883,769	B2 *	4/2005	Shamoon	248/447
D508,954	S *	8/2005	Cetera	D19/78
D518,525	S *	4/2006	Bhavnani	D19/88

(Continued)

*Primary Examiner*—Elizabeth A Albert

(74) *Attorney, Agent, or Firm*—Kenneth H. Ohriner; Perkins Coie LLP

(57) **CLAIM**

The ornamental design for a clipboard, as shown and described.

**DESCRIPTION**

FIG. 1 is a front, bottom and right side perspective view showing my new design for a clipboard.

FIG. 2 is a front view.

FIG. 3 is a back view.

FIG. 4 is a right side view.

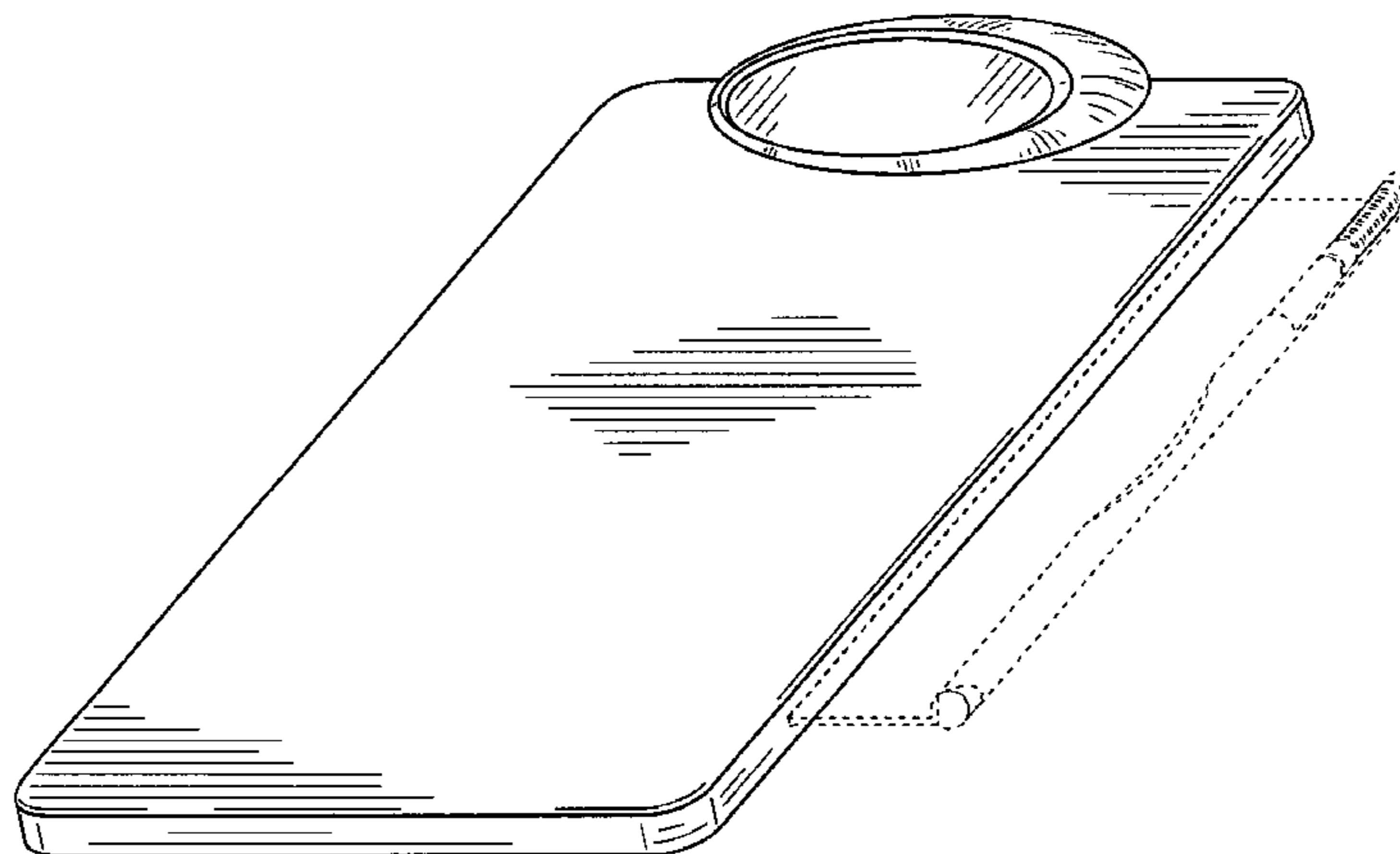
FIG. 5 is a left side view.

FIG. 6 is a top view; and,

FIG. 7 is a bottom view.

The broken lines showing of parts of the clipboard and a writing utensil are included for the purpose of illustrating environment and form no part of the claimed design.

**1 Claim, 4 Drawing Sheets**





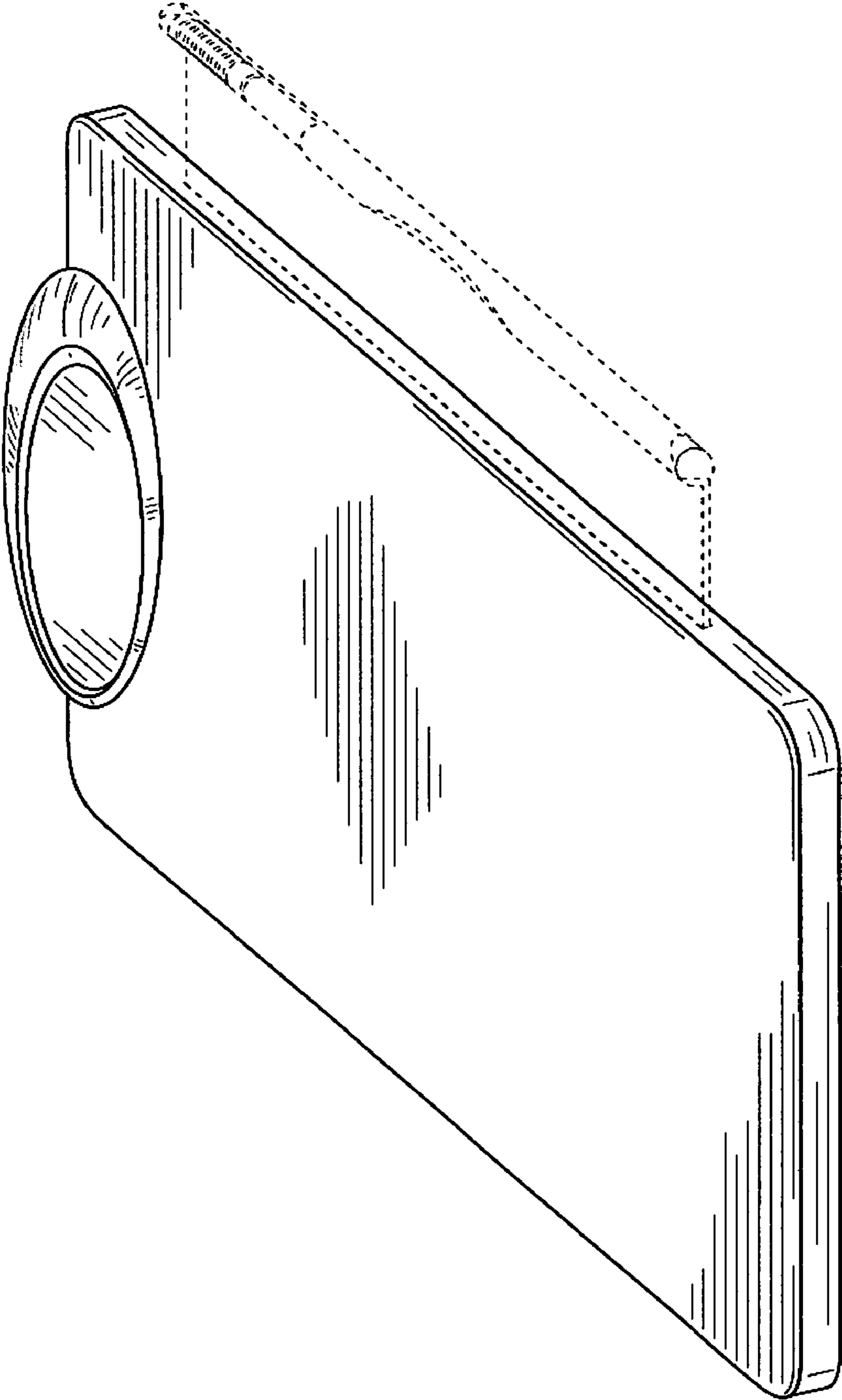


FIG. 1

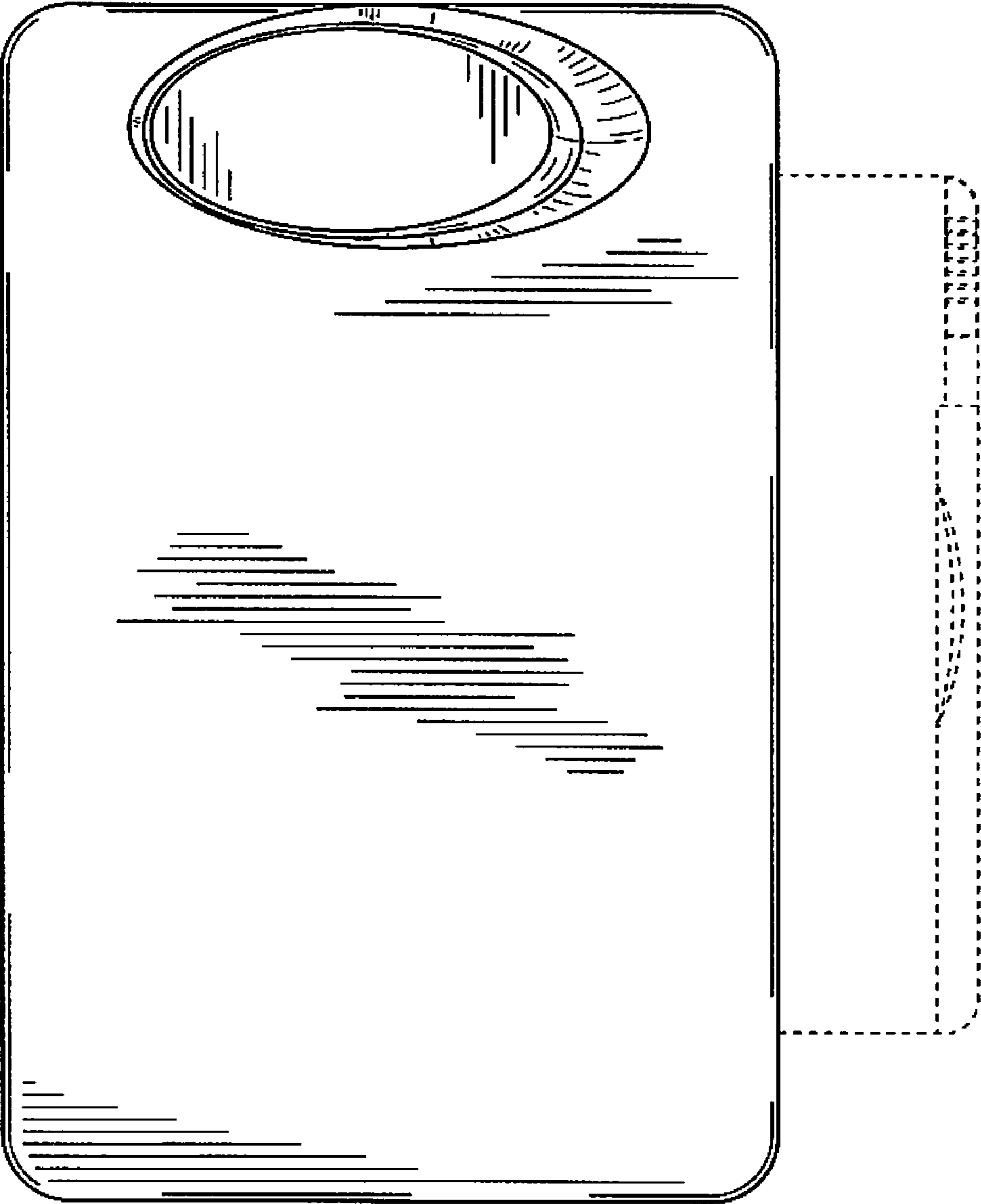


FIG. 2

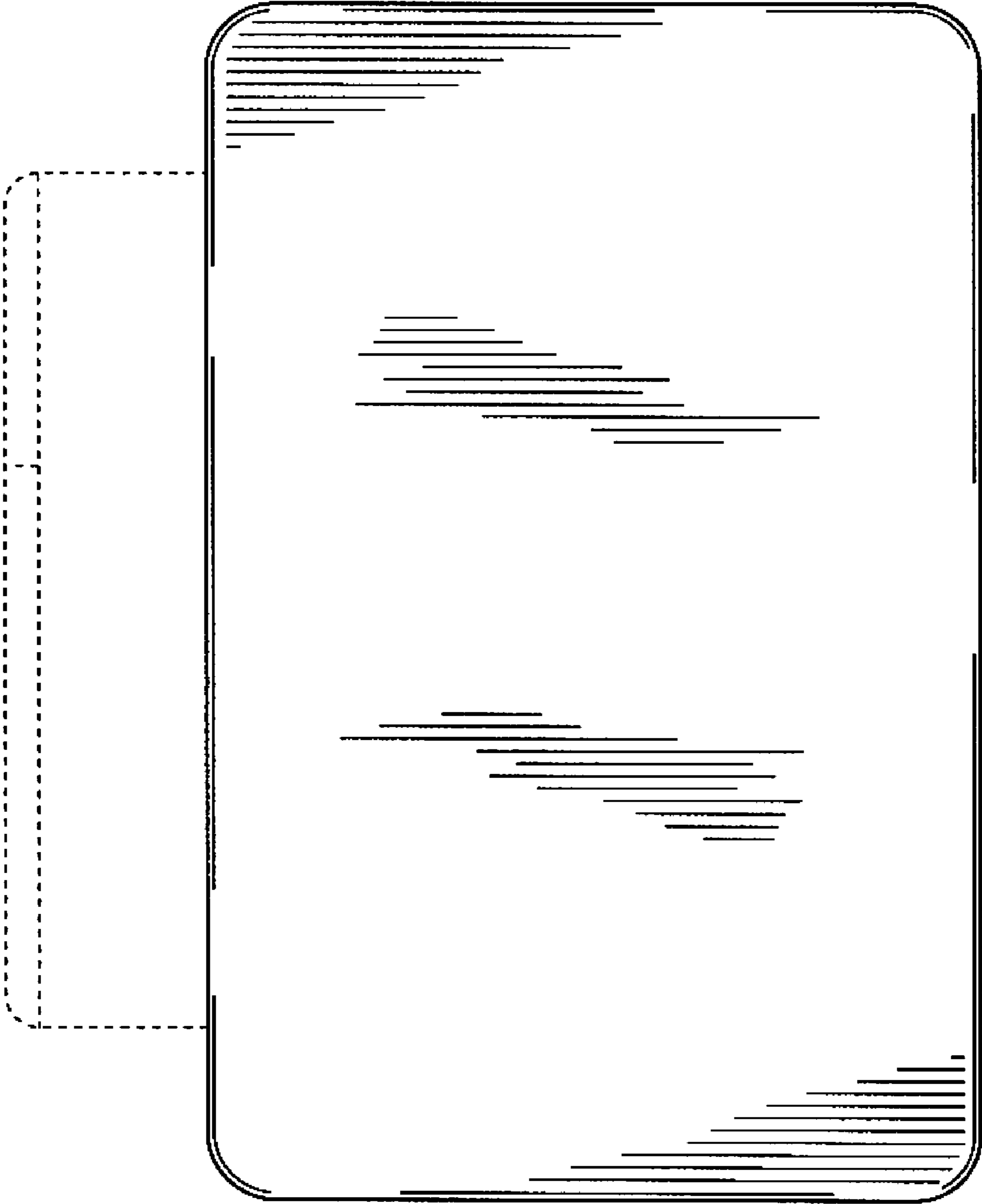


FIG. 3

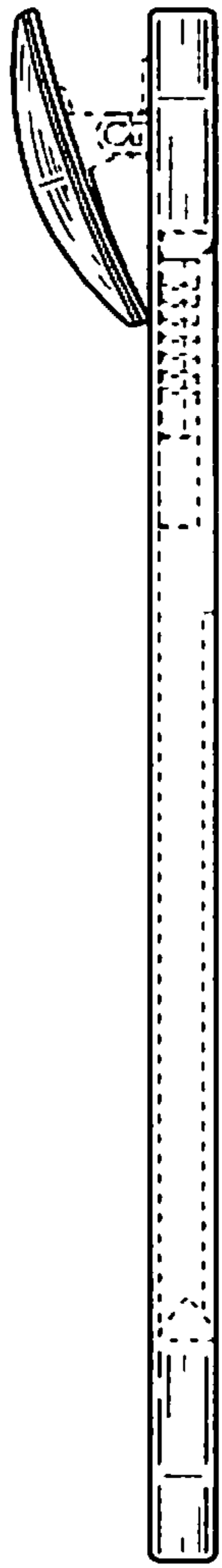


FIG. 4

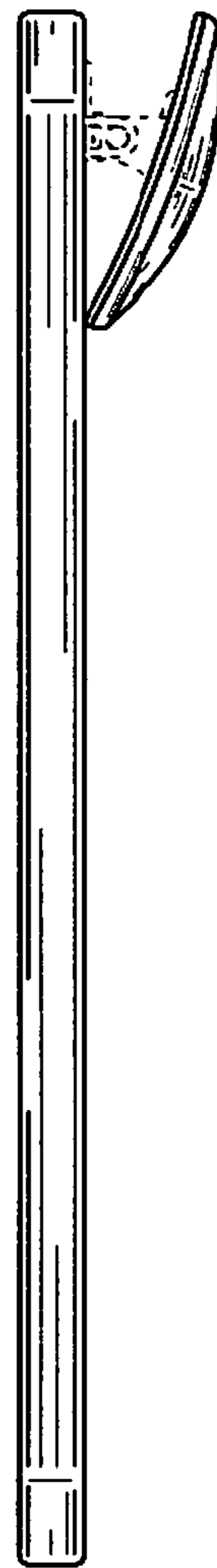


FIG. 5

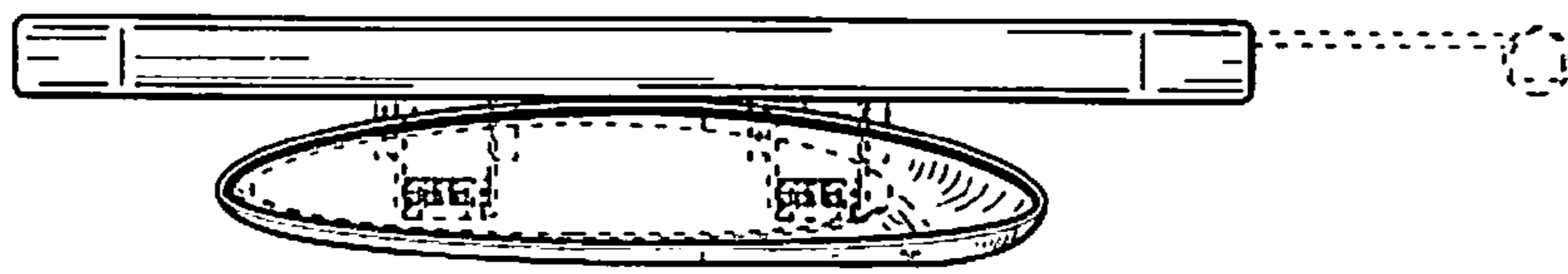


FIG. 6

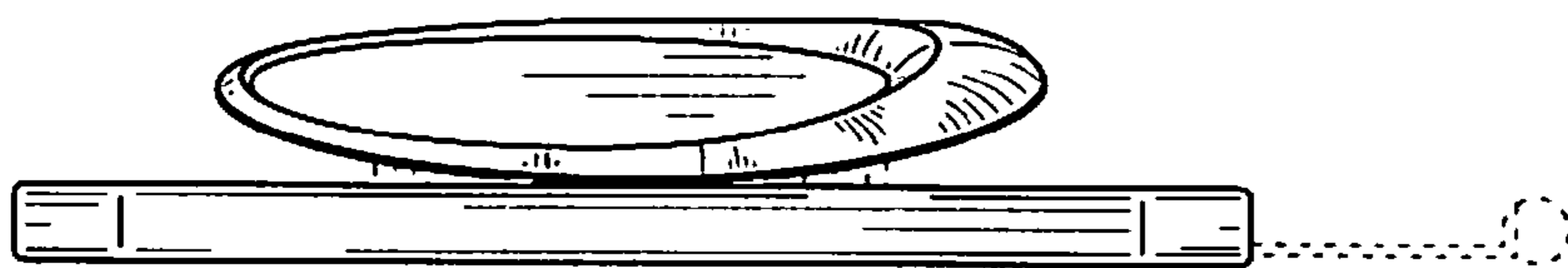


FIG. 7