



US00D572306S

(12) **United States Design Patent**
Qiu et al.

(10) **Patent No.:** **US D572,306 S**

(45) **Date of Patent:** **** Jul. 1, 2008**

(54) **DUAL-TIP MARKER**

(75) Inventors: **Zhiming Qiu**, Ningbo (CN); **Lidan Ma**, Ningbo (CN)

(73) Assignee: **Beifa Group Co., Ltd.**, Ningbo (CN)

(**) Term: **14 Years**

(21) Appl. No.: **29/277,289**

(22) Filed: **Feb. 20, 2007**

(30) **Foreign Application Priority Data**

Aug. 24, 2006 (CN) 2006 3 0131379

(51) **LOC (8) Cl.** **19-06**

(52) **U.S. Cl.** **D19/36**

(58) **Field of Classification Search** D19/35,
D19/36, 41-51, 53-57; 24/11 F, 11 P, 11 R;
401/52, 99, 100, 104-109, 192, 195, 196
See application file for complete search history.

(56) **References Cited**

U.S. PATENT DOCUMENTS

1,554,803	A	*	9/1925	Esterow	24/11 F
D186,059	S	*	9/1959	Kahn	D19/48
D295,878	S		5/1988	Lovell		
D312,658	S		12/1990	Sumino		
D319,844	S	*	9/1991	Grotsch et al.	D19/48
D395,672	S	*	6/1998	Navarro	D19/48
D399,253	S		10/1998	Raymond		
D404,069	S		1/1999	Hasegawa		
D409,241	S	*	5/1999	Melnick	D19/36
D457,186	S	*	5/2002	Moon	D19/43
D462,386	S	*	9/2002	Iwase et al.	D19/43
D470,885	S		2/2003	Tahara		
D484,188	S	*	12/2003	Cetera	D19/51
D498,493	S		11/2004	Togawa		

D508,264	S	*	8/2005	Losel	D19/50
D536,033	S	*	1/2007	Lecce	D19/50
D540,381	S	*	4/2007	Qiu	D19/43
D546,882	S	*	7/2007	Qiu	D19/50

OTHER PUBLICATIONS

Qiu, Z., et al., U.S. Appl. No. 29/277,078, filed Feb. 13, 2007.

* cited by examiner

Primary Examiner—Elizabeth A Albert

(74) *Attorney, Agent, or Firm*—Christensen O'Connor Johnson Kindness PLLC

(57) **CLAIM**

The ornamental design for a dual-tip marker, as shown and described.

DESCRIPTION

FIG. 1 is a front left perspective view of a dual-tip marker showing our new design;

FIG. 2 is an exploded front left perspective view thereof;

FIG. 3 is a rear elevation view thereof;

FIG. 4 is a top plan view thereof;

FIG. 5 is a right side elevation view thereof;

FIG. 6 is a front elevation view thereof;

FIG. 7 is a bottom plan view thereof;

FIG. 8 is a left side elevation view thereof;

FIG. 9 is a left side elevation view of the dual-tip marker shown in FIG. 1, with the bottom end cap removed and placed on the opposite end of the highlighter; and,

FIG. 10 is a right side elevation view of the dual-tip marker shown in FIG. 1, with the top end cap removed and placed on the opposite end of the highlighter.

1 Claim, 4 Drawing Sheets

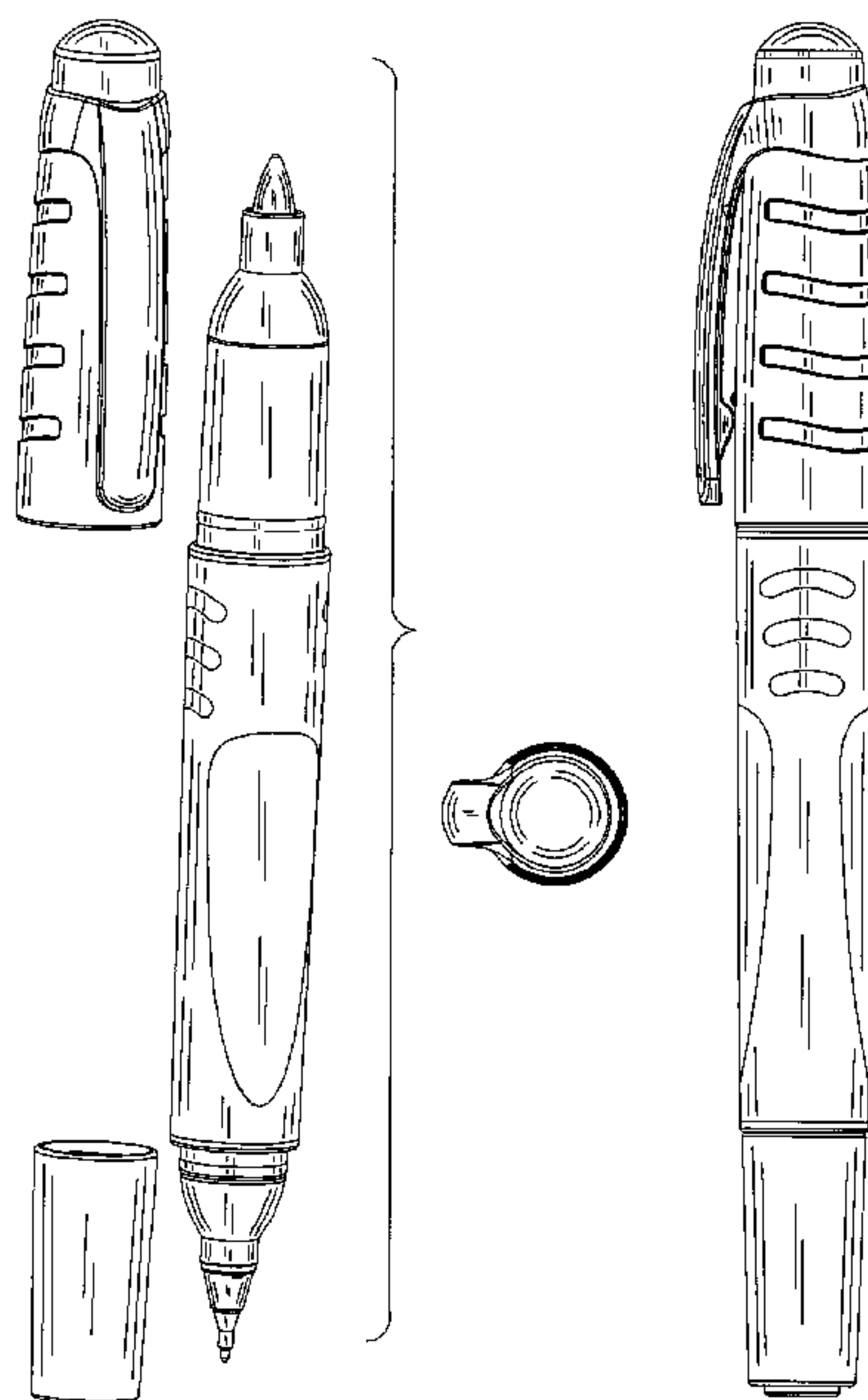


Fig. 1.

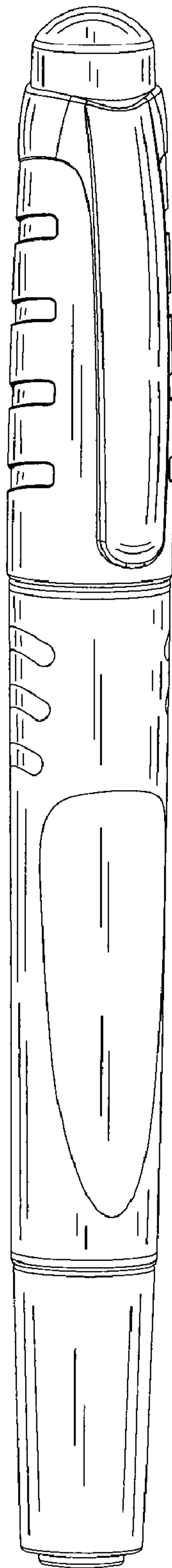


Fig. 2.

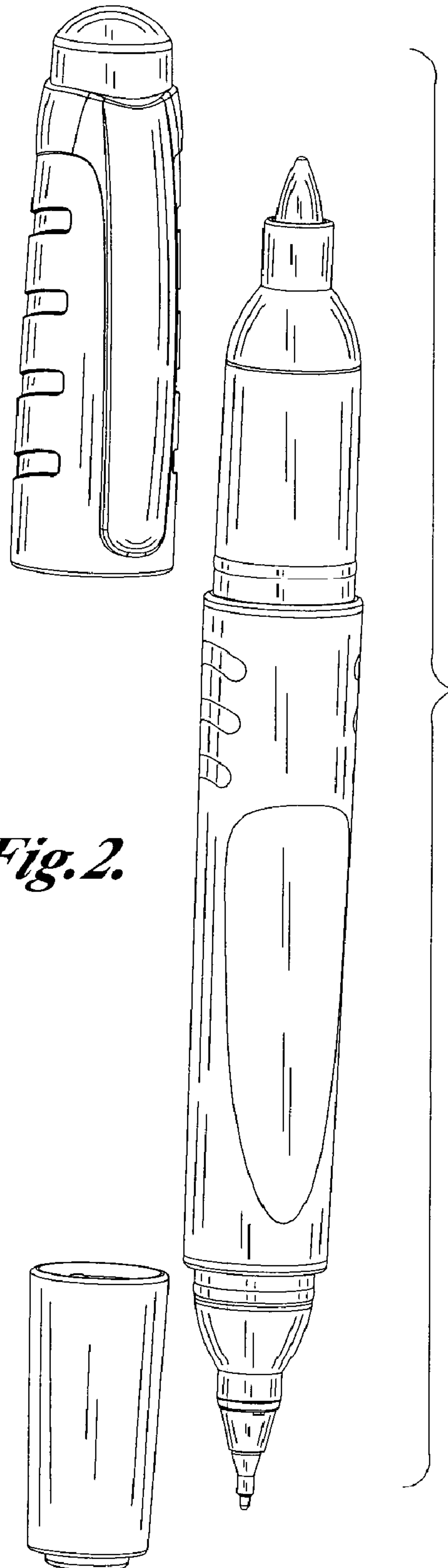


Fig. 3.

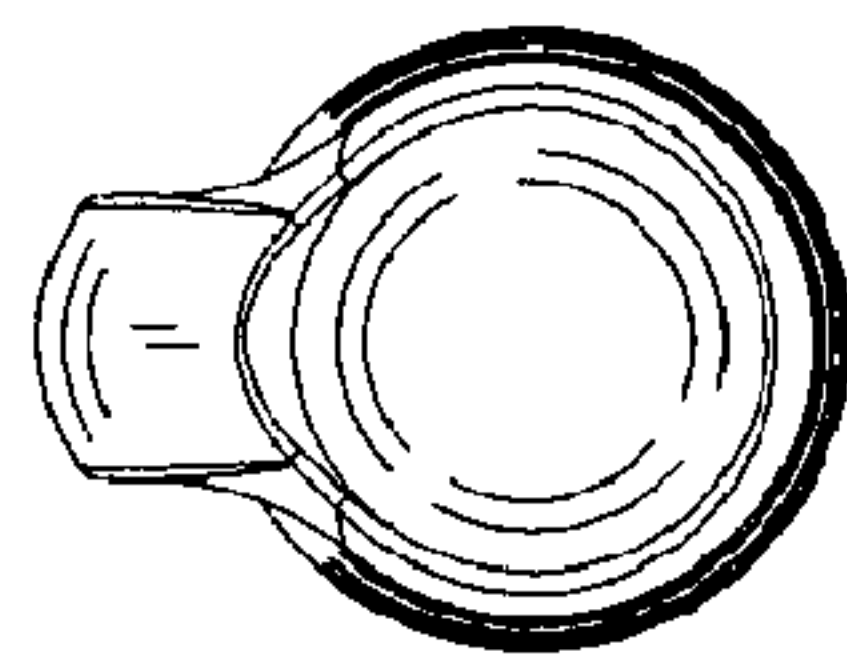
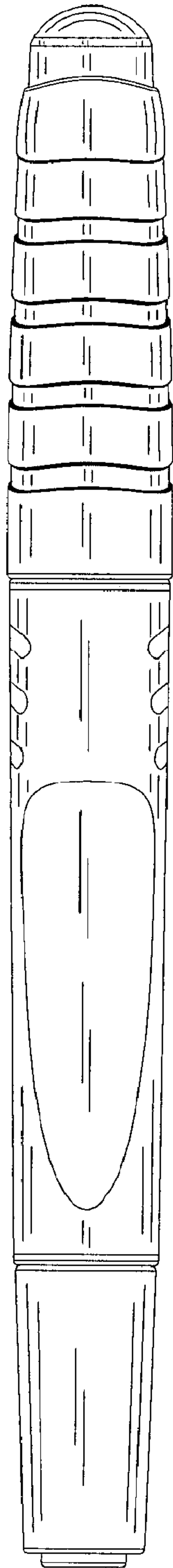
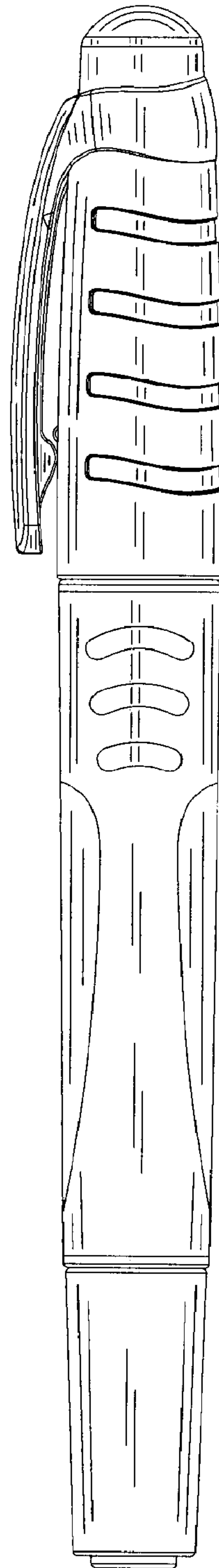


Fig. 4.

Fig. 5.



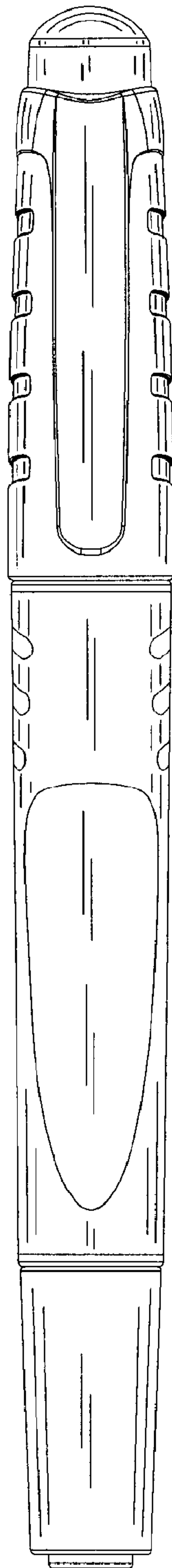


Fig. 6.

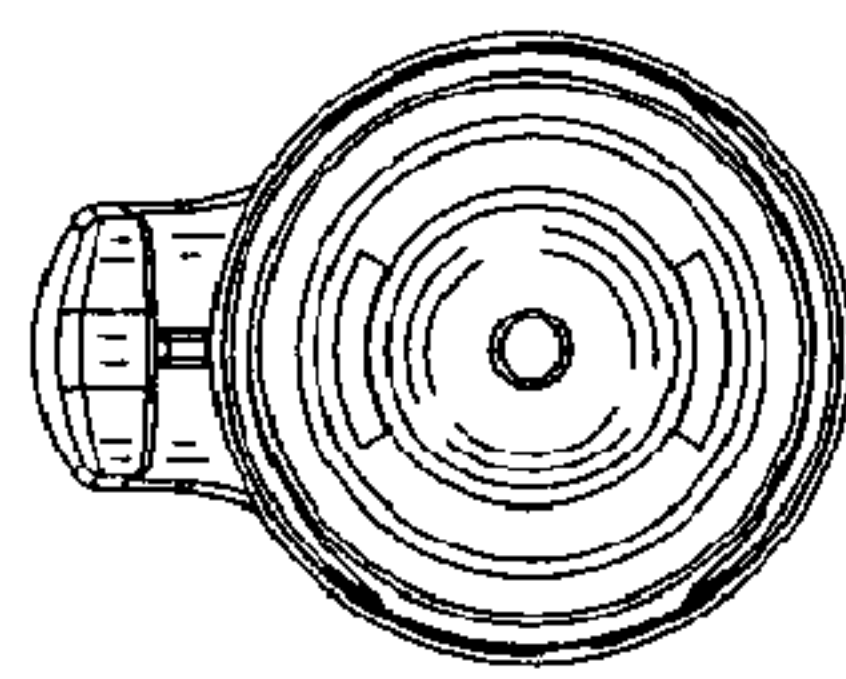


Fig. 7.

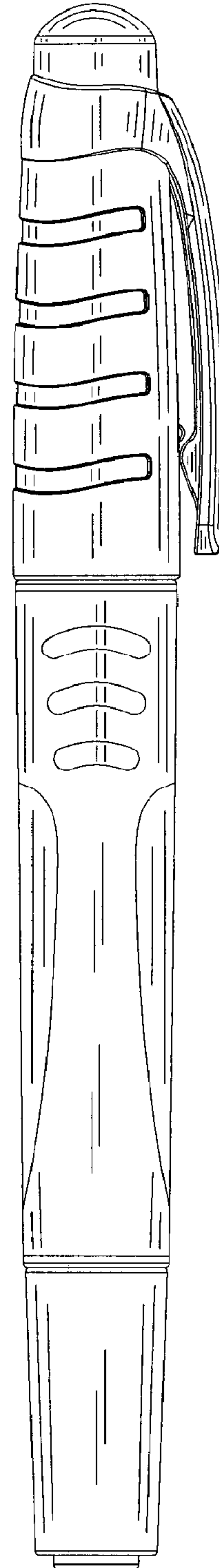


Fig. 8.

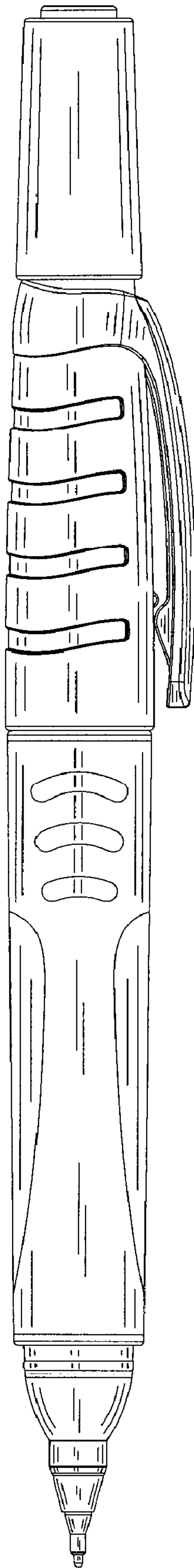


Fig. 9.

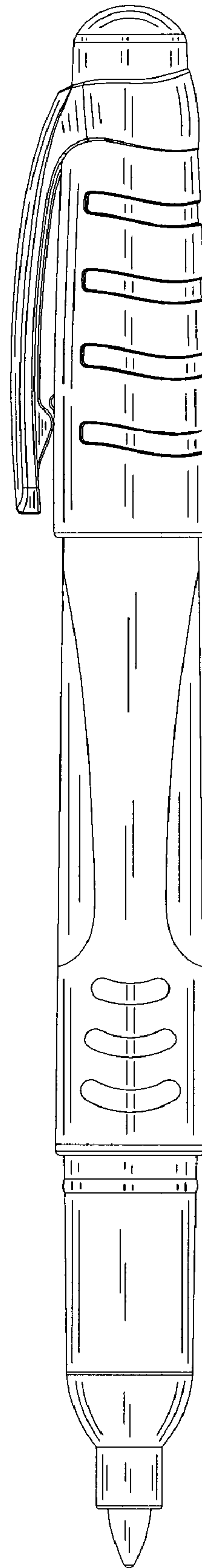


Fig. 10.

UNITED STATES PATENT AND TRADEMARK OFFICE
CERTIFICATE OF CORRECTION

PATENT NO. : Des. 572,306 S
APPLICATION NO. : 29/277289
DATED : July 1, 2008
INVENTOR(S) : Z. Qiu et al.

Page 1 of 1

It is certified that error appears in the above-identified patent and that said Letters Patent is hereby corrected as shown below:

On the Title Page

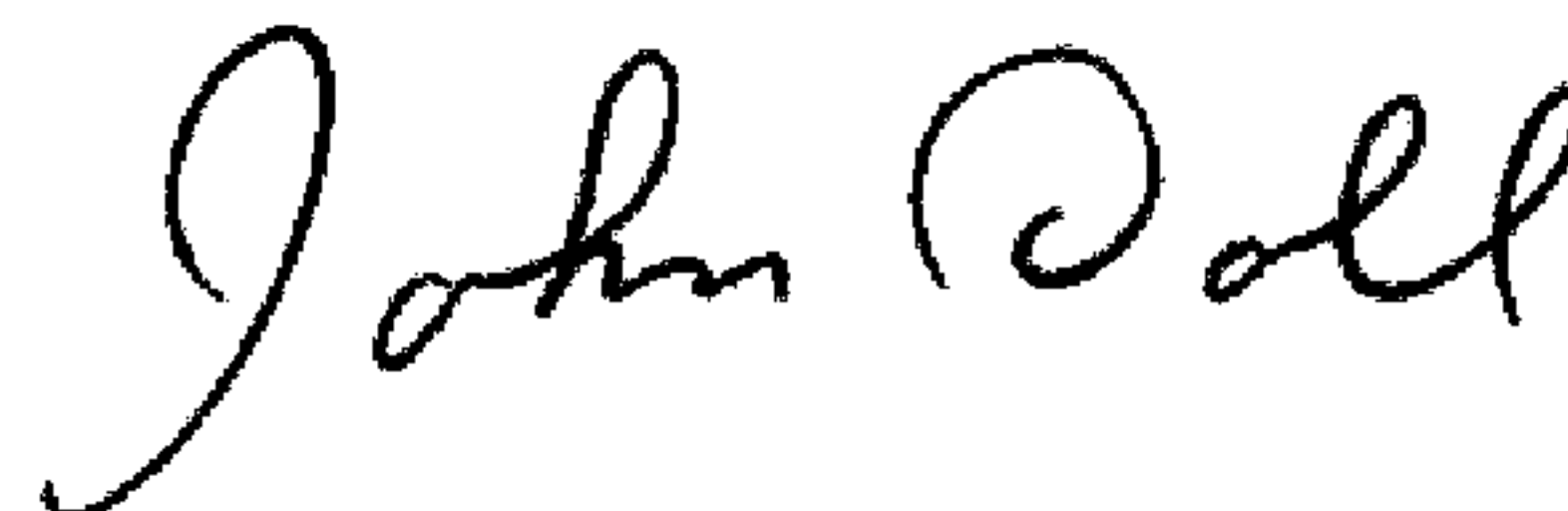
Item (30)	Foreign Appl. Priority Data	“2006 3 0131379” should read --2006 3 0131379.6--
-----------	--------------------------------------	--

On the Title Page

Item	Primary Examiner	“Elizabeth A Albert” should read --Elizabeth A. Albert--
------	---------------------	---

Signed and Sealed this

Nineteenth Day of May, 2009



JOHN DOLL
Acting Director of the United States Patent and Trademark Office