



US00D572304S

(12) **United States Design Patent**  
**Komatsu et al.**

(10) **Patent No.:** **US D572,304 S**  
(45) **Date of Patent:** **\*\* Jul. 1, 2008**

(54) **INK RIBBON CASSETTE FOR PRINTER**

2007/0274757 A1\* 11/2007 Motoki ..... 400/208

(75) Inventors: **Hiroshi Komatsu**, Yokohama (JP);  
**Minoru Tanabe**, Kawasaki (JP)

**OTHER PUBLICATIONS**

U.S. Appl. No. 29/277,179, filed Feb. 16, 2007.  
U.S. Appl. No. 29/277,188, filed Feb. 16, 2007.

(73) Assignee: **Canon Kabushiki Kaisha**, Tokyo (JP)

\* cited by examiner

(\*\*) Term: **14 Years**

*Primary Examiner*—Cathy Anne MacCormac

(21) Appl. No.: **29/277,183**

(74) *Attorney, Agent, or Firm*—Fitzpatrick, Cella, Harper & Scinto

(22) Filed: **Feb. 16, 2007**

(57) **CLAIM**

(30) **Foreign Application Priority Data**

The ornamental design for an ink ribbon cassette for printer, as shown and described.

Aug. 22, 2006 (JP) ..... 2006-022125

(51) **LOC (8) Cl.** ..... **18-02**

**DESCRIPTION**

(52) **U.S. Cl.** ..... **D18/56; 347/214**

FIG. 1 is a front view of an ink ribbon cassette for printer showing our new design;

(58) **Field of Classification Search** ..... D18/12,  
D18/40, 43, 56; 347/214; 400/196, 196.1,  
400/207–208, 208.1, 242

FIG. 2 is a rear view thereof;

See application file for complete search history.

FIG. 3 is a top plan view thereof;

FIG. 4 is a bottom plan view thereof;

(56) **References Cited**

FIG. 5 is a left side view thereof;

**U.S. PATENT DOCUMENTS**

FIG. 6 is a right side view thereof; and,

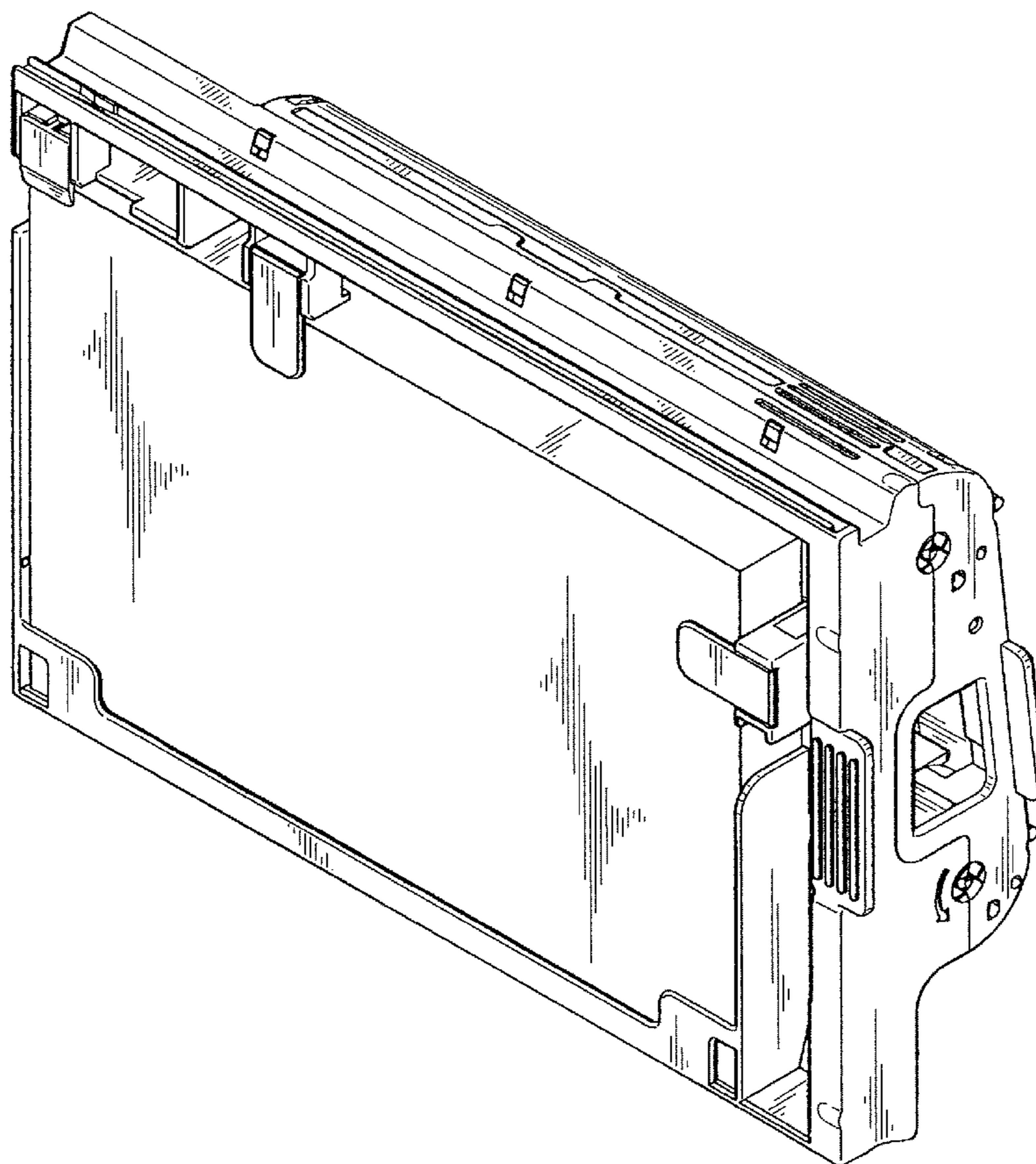
D318,065 S \* 7/1991 Kamoda ..... D18/12

FIG. 7 is a perspective view thereof.

D334,209 S \* 3/1993 Katsuno ..... D18/56

D432,561 S \* 10/2000 Shimamura et al. .... D18/12

**1 Claim, 5 Drawing Sheets**



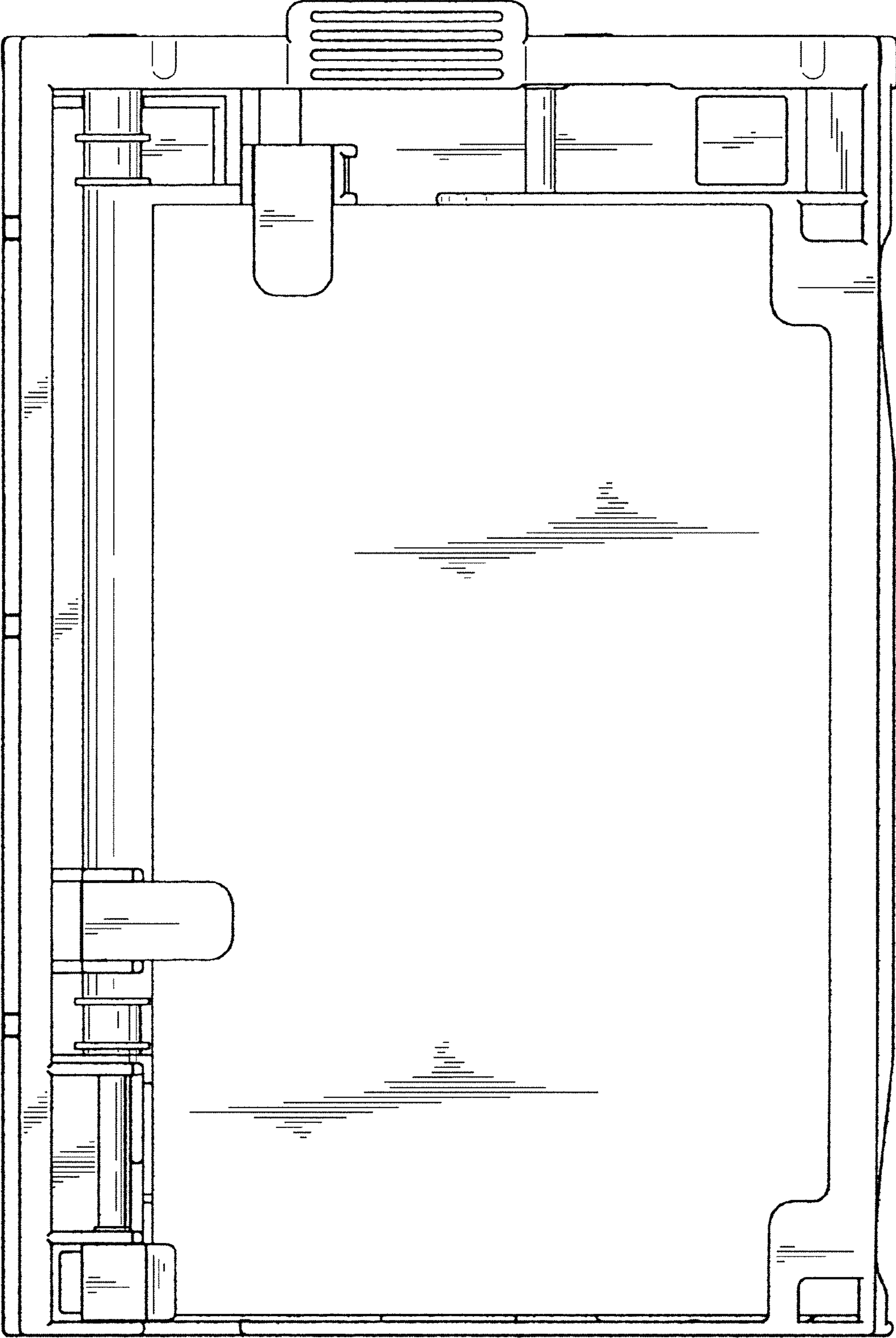


FIG. 1

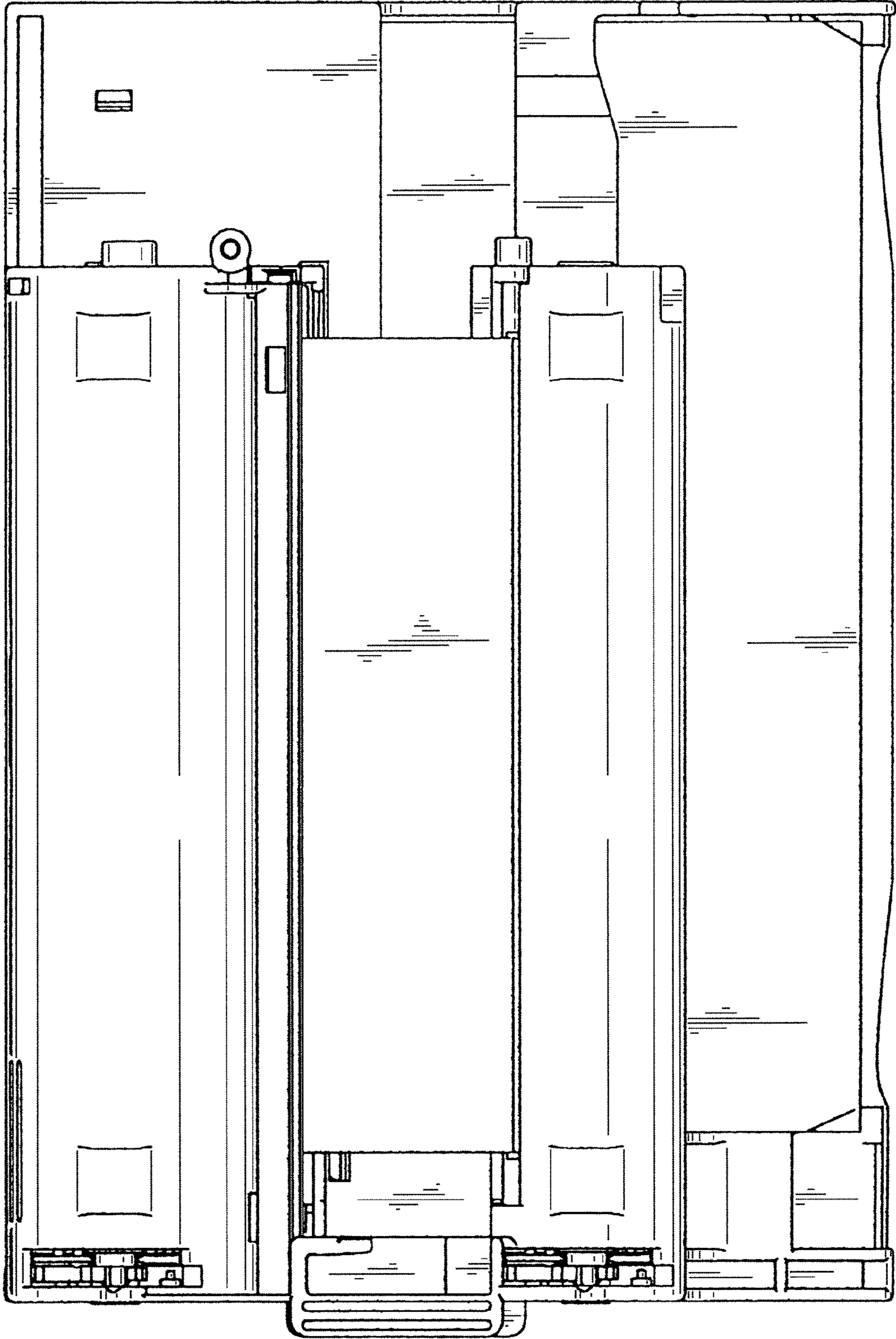


FIG. 2



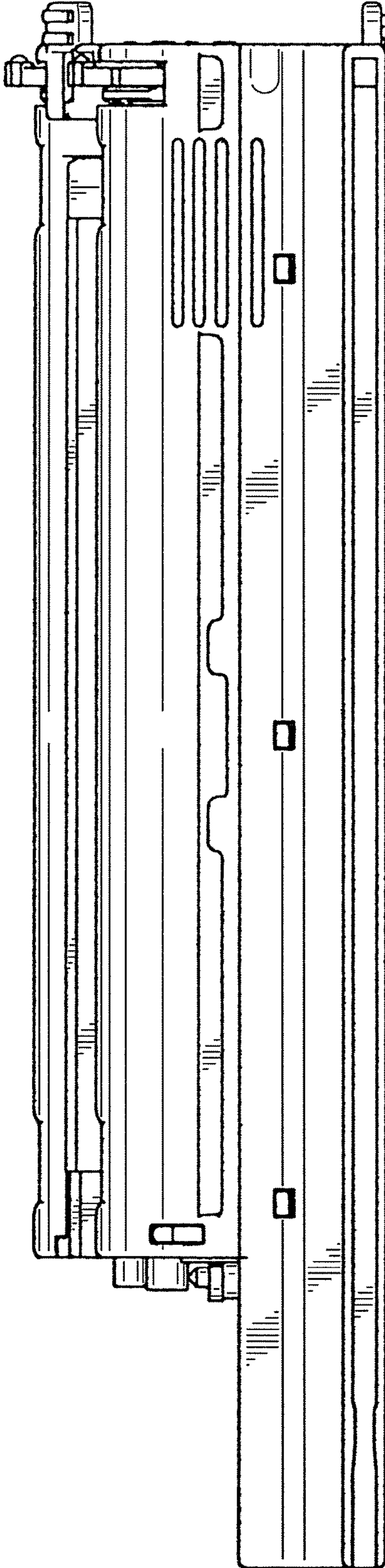


FIG. 3

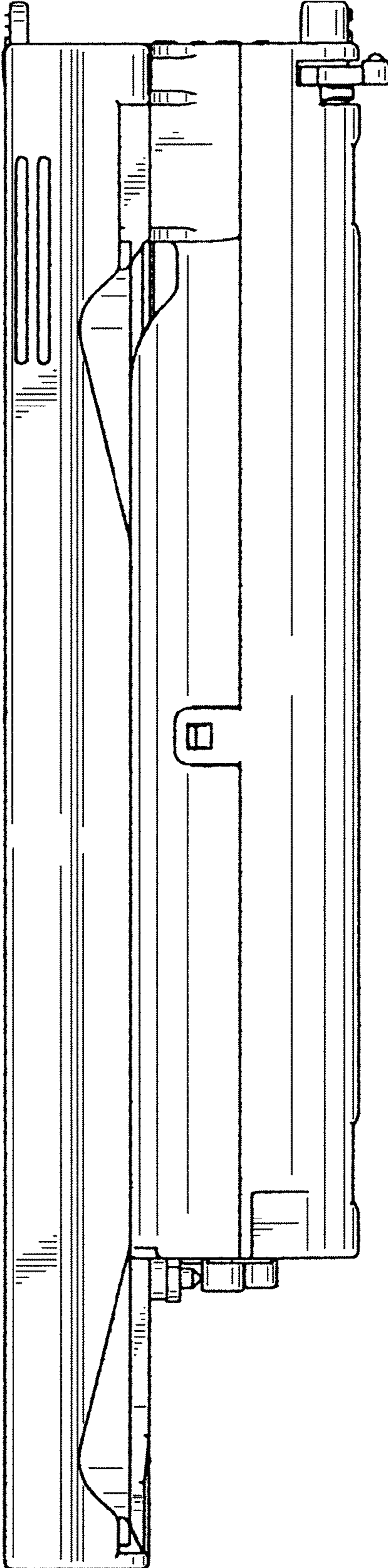


FIG. 4

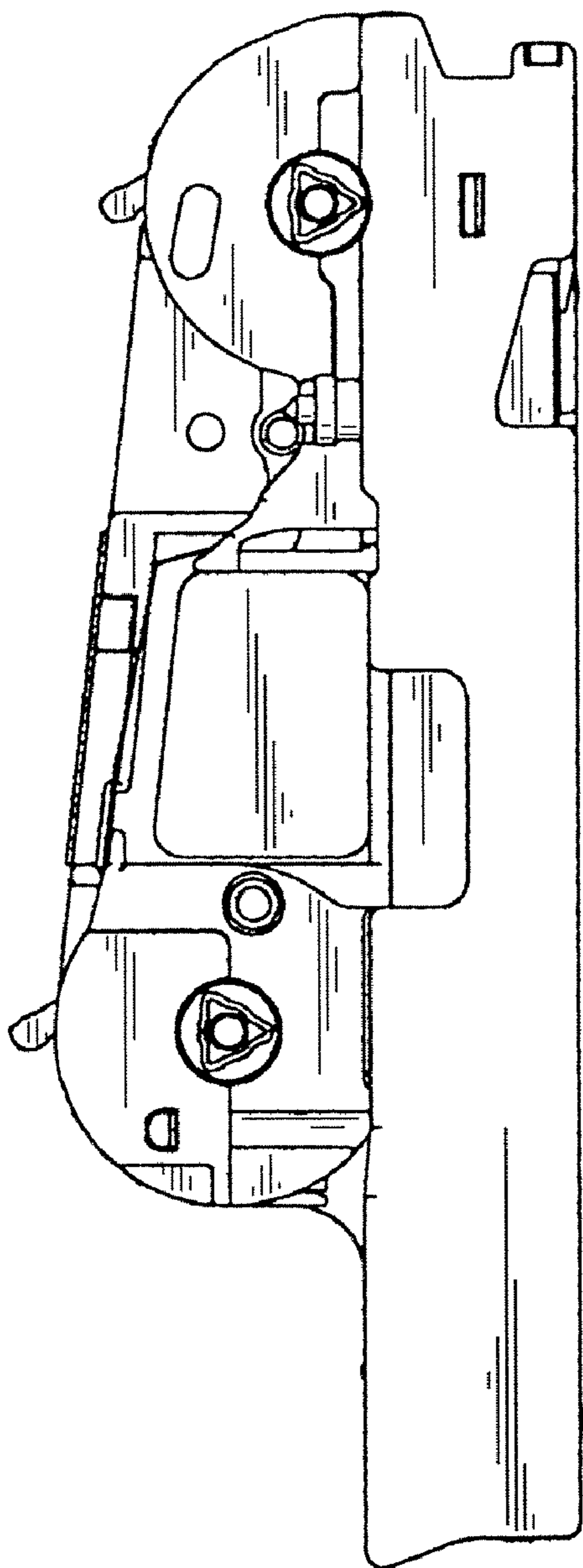


FIG. 5

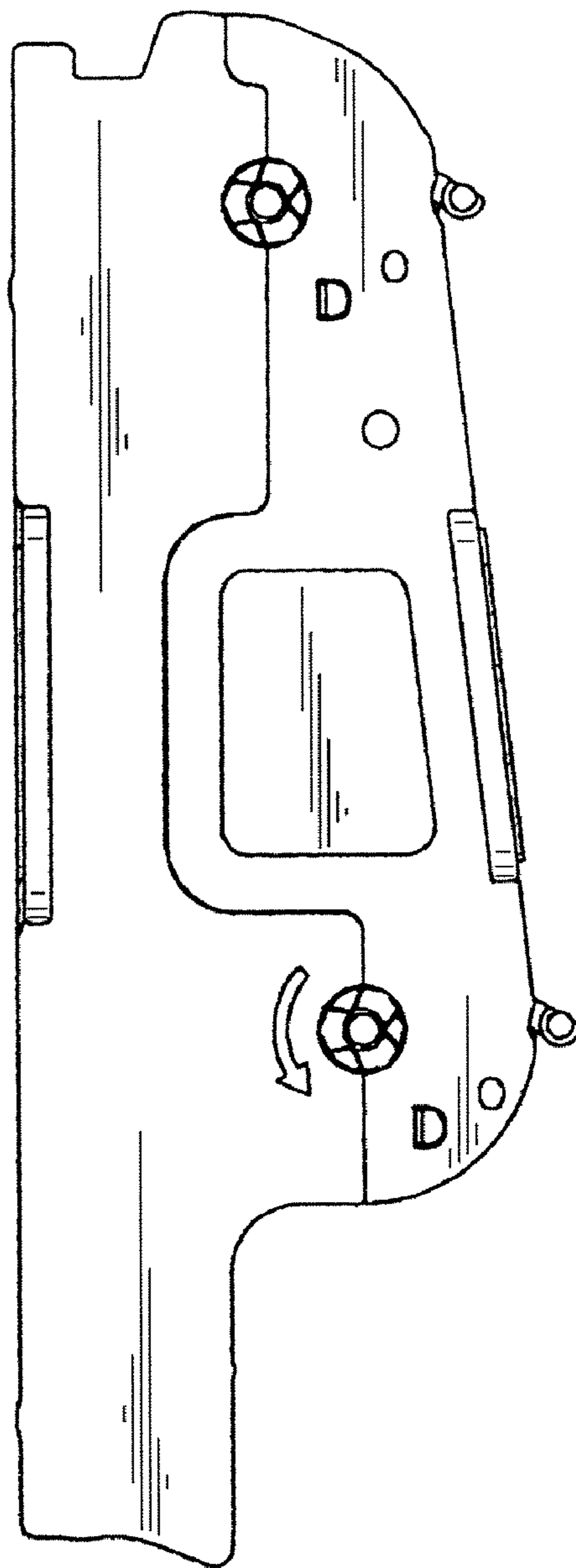


FIG. 6

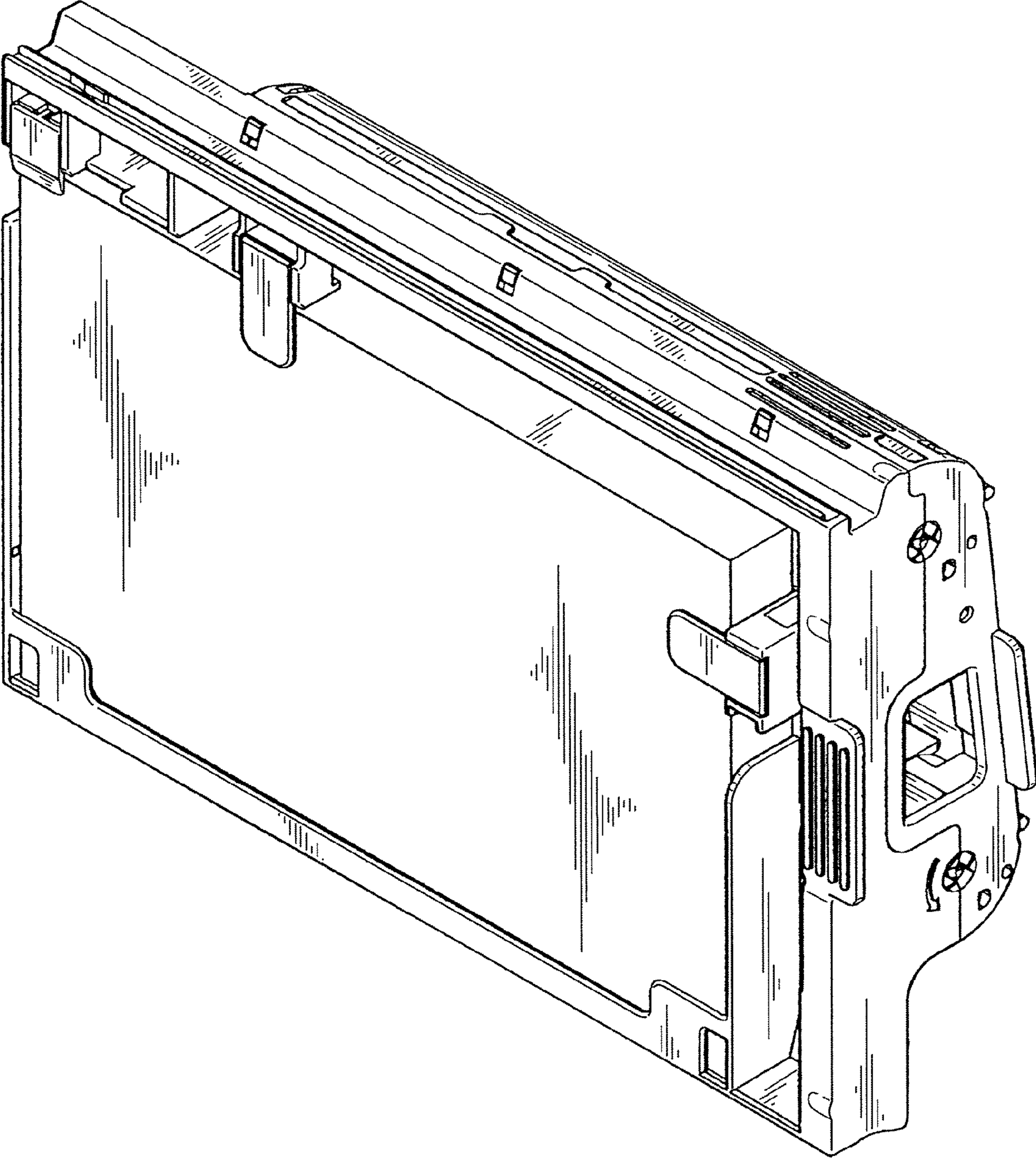


FIG. 7