



US00D572303S

(12) **United States Design Patent**
Komatsu et al.

(10) **Patent No.:** **US D572,303 S**
(45) **Date of Patent:** **** Jul. 1, 2008**

(54) **INK RIBBON CASSETTE FOR PRINTER**

2007/0274757 A1* 11/2007 Motoki 400/208

(75) Inventors: **Hiroshi Komatsu**, Yokohama (JP);
Minoru Tanabe, Kawasaki (JP)

(73) Assignee: **Canon Kabushiki Kaisha**, Tokyo (JP)

(**) Term: **14 Years**

(21) Appl. No.: **29/277,179**

(22) Filed: **Feb. 16, 2007**

(30) **Foreign Application Priority Data**

Aug. 22, 2006 (JP) 2006-022124

(51) **LOC (8) Cl.** **18-02**

(52) **U.S. Cl.** **D18/56; 347/214**

(58) **Field of Classification Search** D18/12,
D18/40, 43, 56; 347/214; 400/196, 196.1,
400/207-208, 208.1, 242

See application file for complete search history.

(56) **References Cited**

U.S. PATENT DOCUMENTS

D318,065 S * 7/1991 Kamoda D18/12
D334,209 S * 3/1993 Katsuno D18/56
D432,561 S * 10/2000 Shimamura et al. D18/12

OTHER PUBLICATIONS

U.S. Appl. No. 29/277,188, filed Feb. 16, 2007.

U.S. Appl. No. 29/277,183, filed Feb. 16, 2007.

* cited by examiner

Primary Examiner—Cathy Anne MacCormac

(74) *Attorney, Agent, or Firm*—Fitzpatrick, Cella, Harper & Scinto

(57) **CLAIM**

The ornamental design for an ink ribbon cassette for printer, as shown and described.

DESCRIPTION

FIG. 1 is a front view of an ink ribbon cassette for printer showing our new design;

FIG. 2 is a rear view thereof;

FIG. 3 is a top plan view thereof;

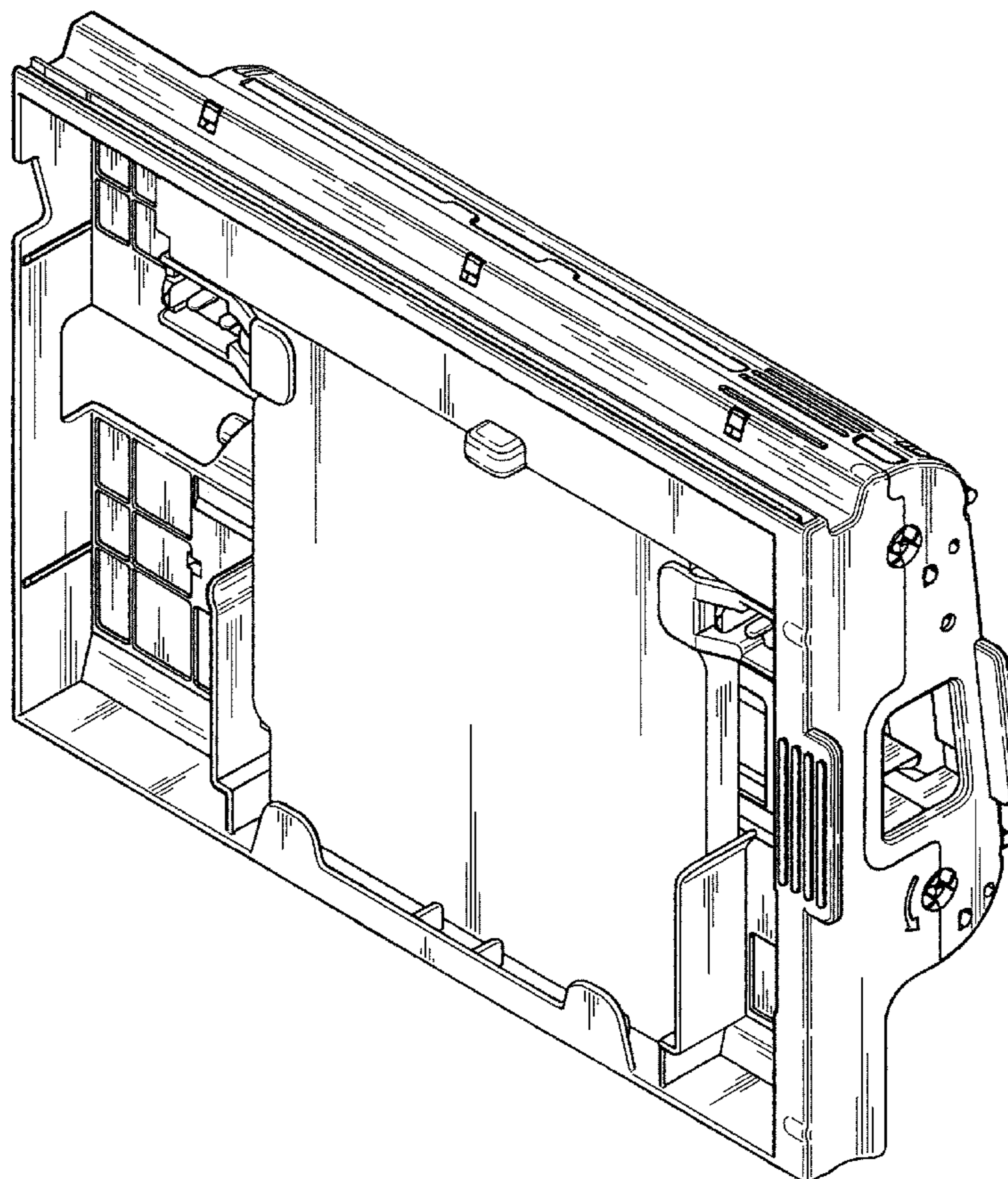
FIG. 4 is a bottom plan view thereof;

FIG. 5 is a left side view thereof;

FIG. 6 is a right side view thereof; and,

FIG. 7 is a perspective view thereof.

1 Claim, 5 Drawing Sheets



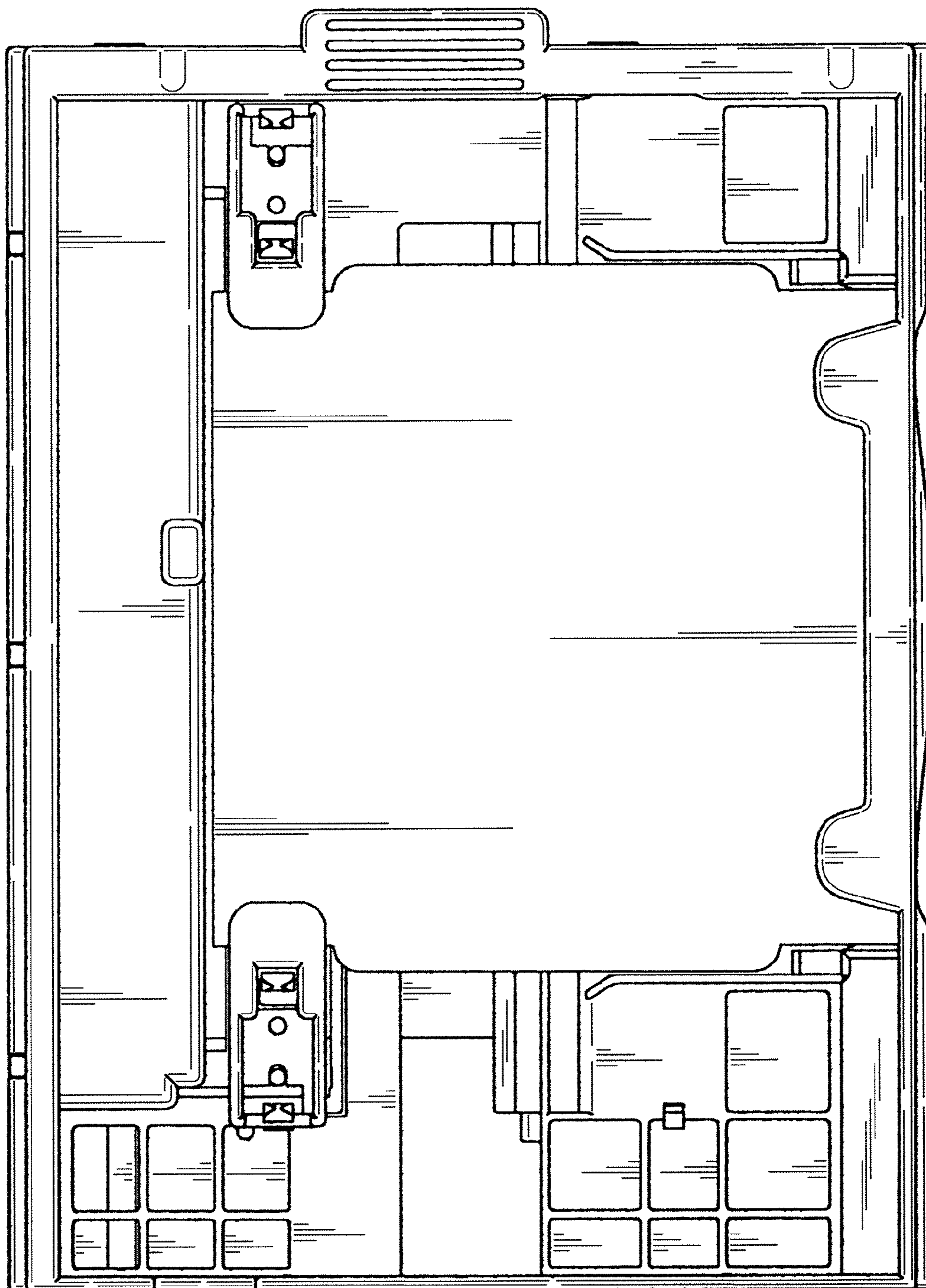


FIG. 1



FIG. 2

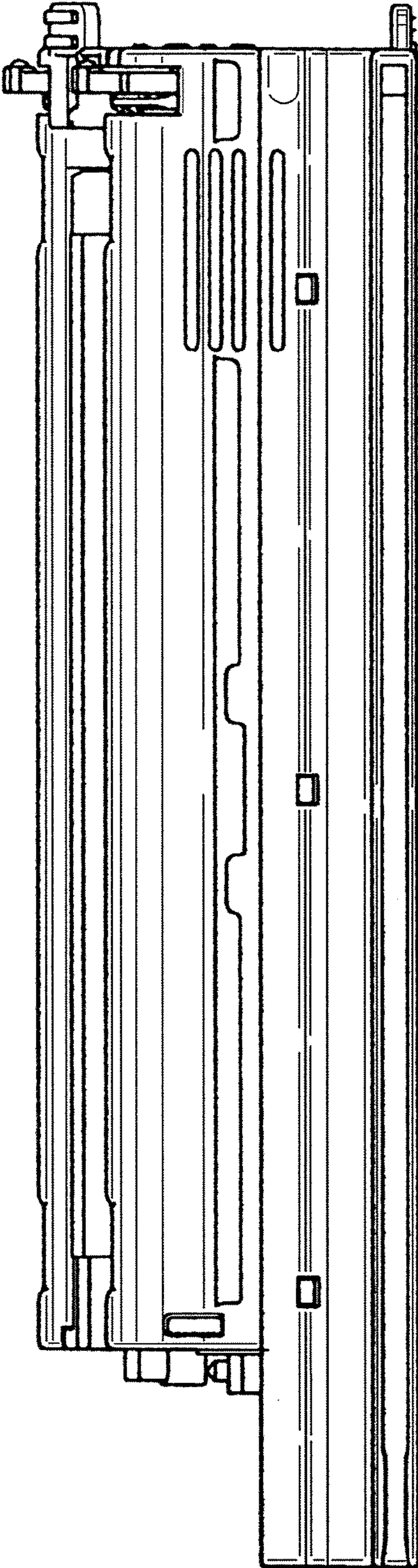


FIG. 3

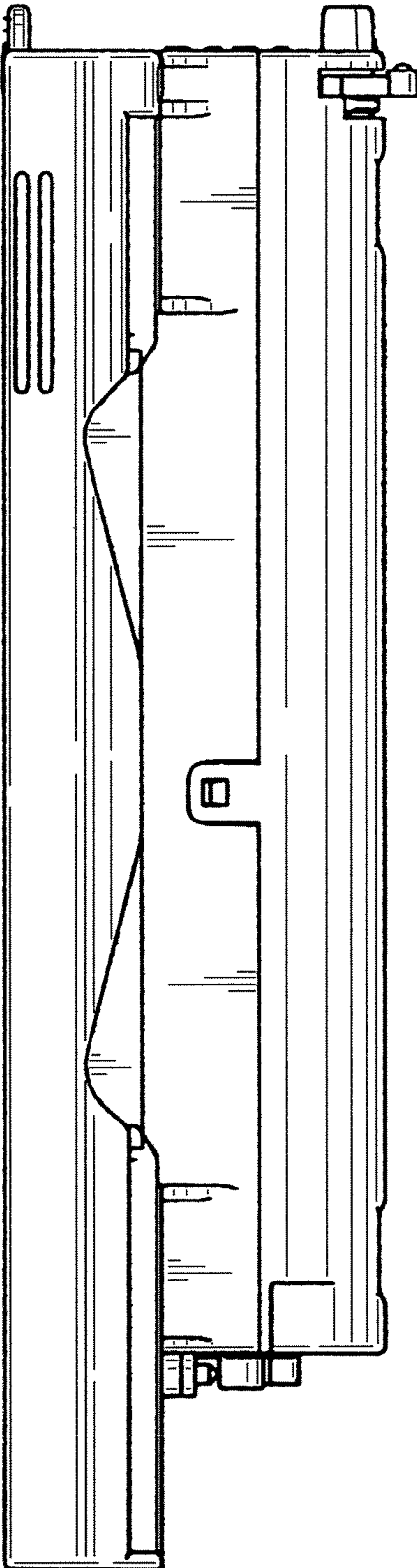


FIG. 4

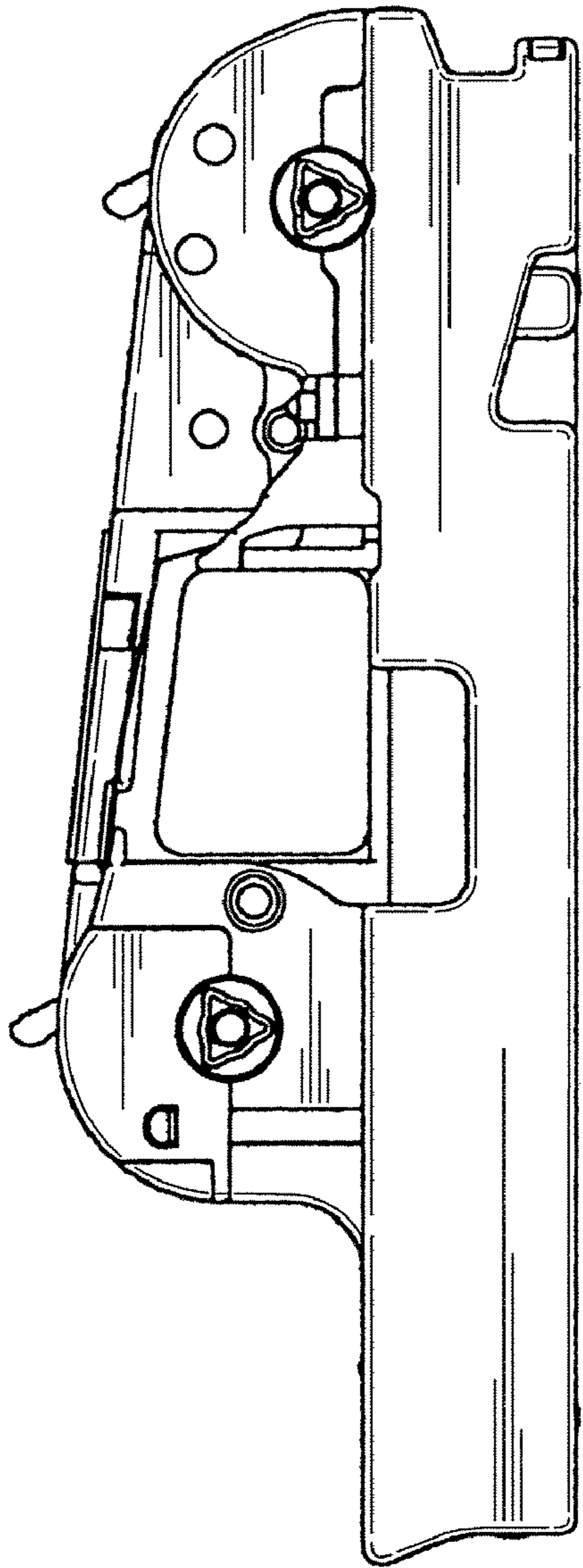


FIG. 5

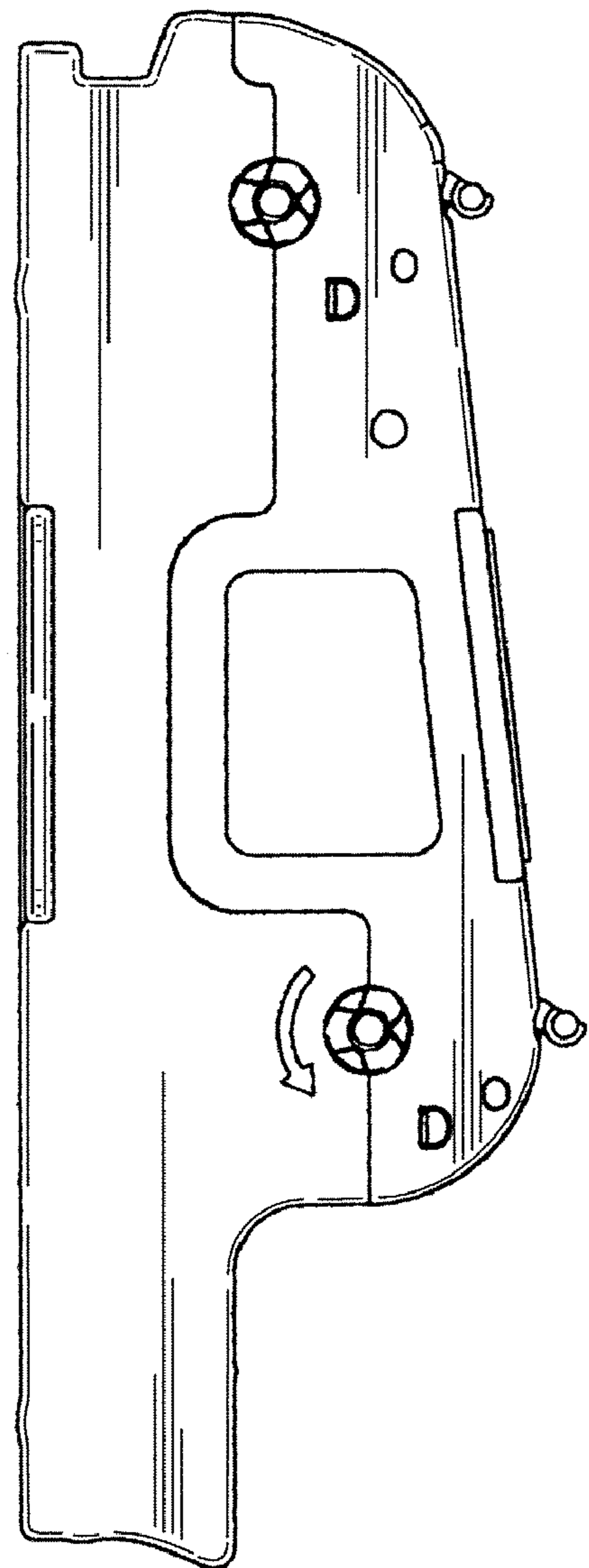


FIG. 6

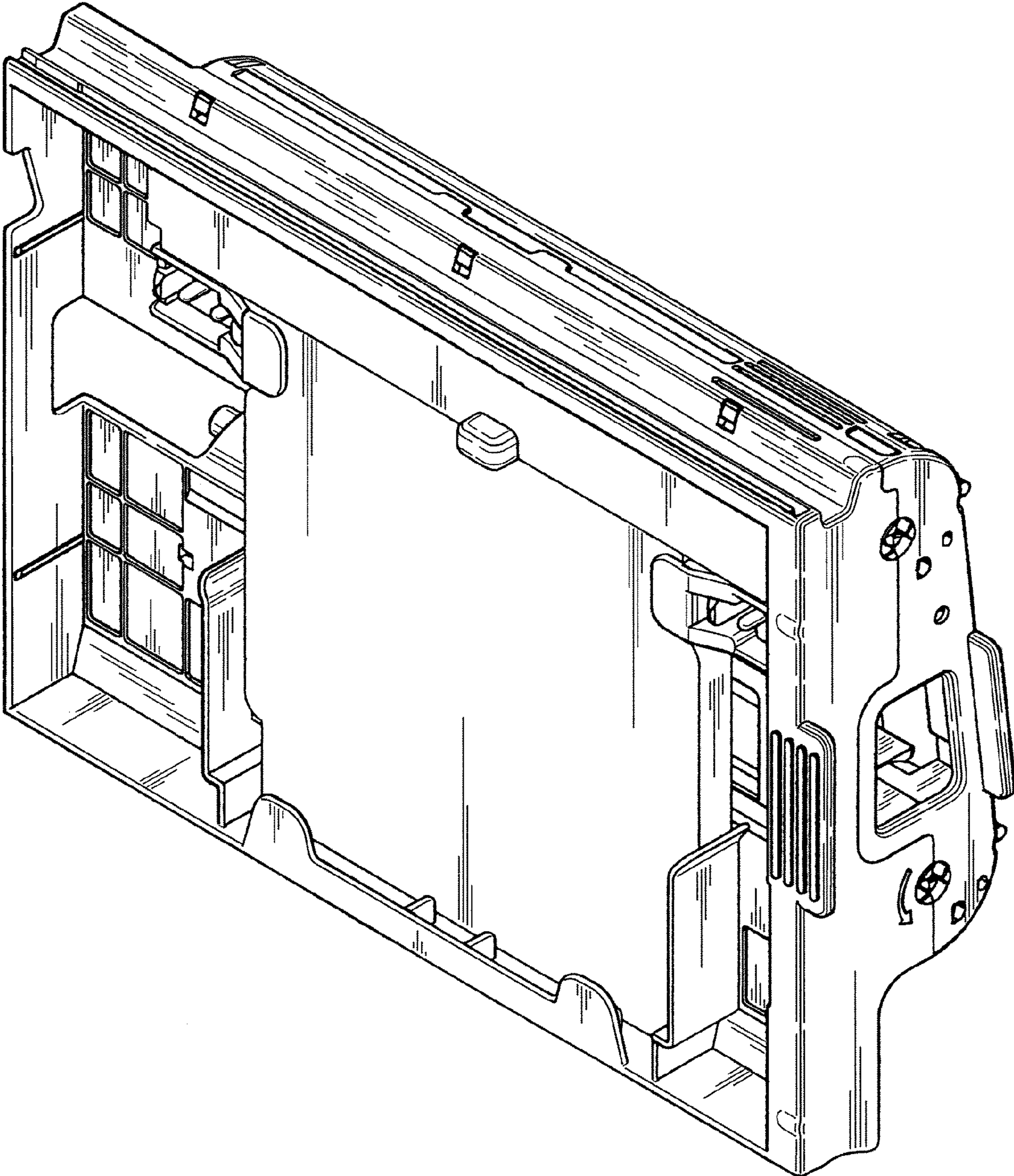


FIG. 7