



US00D572302S

(12) **United States Design Patent**
Peavey

(10) **Patent No.:** **US D572,302 S**
(45) **Date of Patent:** **** Jul. 1, 2008**

(54) **GUITAR HEADSTOCK**

(75) Inventor: **Hartley D. Peavey**, Meridian, MS (US)

(73) Assignee: **Peavey Electronics Corporation**,
Meridian, MS (US)

(**) Term: **14 Years**

(21) Appl. No.: **29/284,145**

(22) Filed: **Aug. 31, 2007**

Related U.S. Application Data

(62) Division of application No. 29/240,347, filed on Oct. 12, 2005, now Pat. No. Des. 555,191.

(51) **LOC (8) Cl.** **17-03**

(52) **U.S. Cl.** **D17/20**

(58) **Field of Classification Search** D17/14,
D17/17, 18, 19, 20, 99; 84/7, 9, 173, 267,
84/274, 275, 284, 285, 290, 291-293, 453
See application file for complete search history.

(56) **References Cited**

U.S. PATENT DOCUMENTS

D207,426 S *	4/1967	Ludwick et al.	D17/20
D255,460 S	6/1980	Todd, III		
D255,461 S	6/1980	Todd, III		
D255,462 S	6/1980	Todd, III		
D277,765 S *	2/1985	Sugai	D17/20
D300,537 S *	4/1989	Powers et al.	D17/20
D300,538 S *	4/1989	Powers et al.	D17/20
D314,784 S *	2/1991	Powers	D17/20
D349,720 S *	8/1994	Kim	D17/20
D404,060 S *	1/1999	DeCola	D17/20
D404,061 S *	1/1999	Roth	D17/20
D416,935 S *	11/1999	DeCola	D17/20
D516,608 S *	3/2006	Butler et al.	D17/20

D555,191 S * 11/2007 Peavey D17/20

OTHER PUBLICATIONS

HP Special Review. <http://www.wolfgangguitars.com/HP%20Special%20Review.htm>. May 2005. HP Special (Guitar Headstock); top right of p. 3.*

* cited by examiner

Primary Examiner—Ian Simmons

Assistant Examiner—R. Johnson

(74) *Attorney, Agent, or Firm*—Matthew B. Dernier; Kaplan Gilman Gibson & Dernier LLP

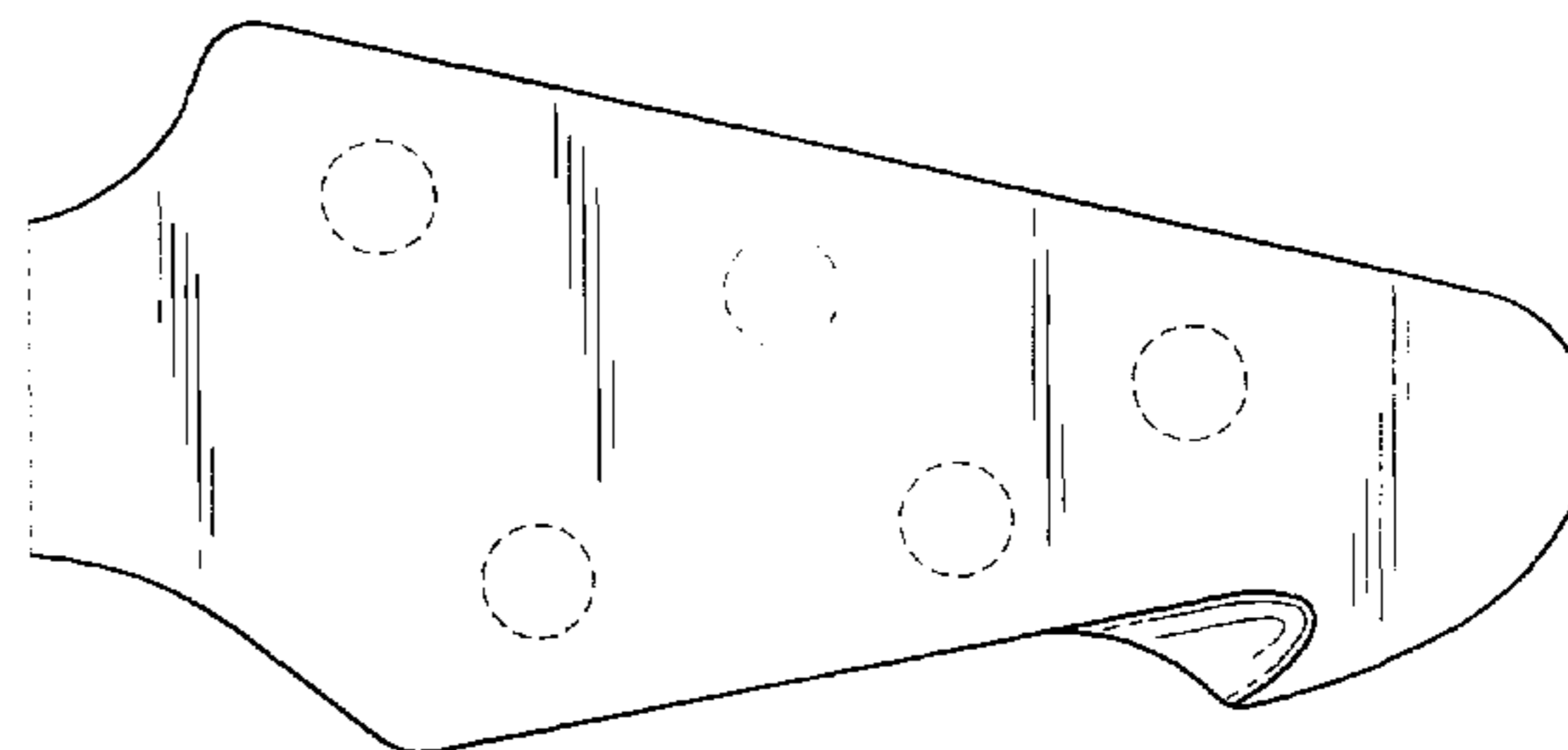
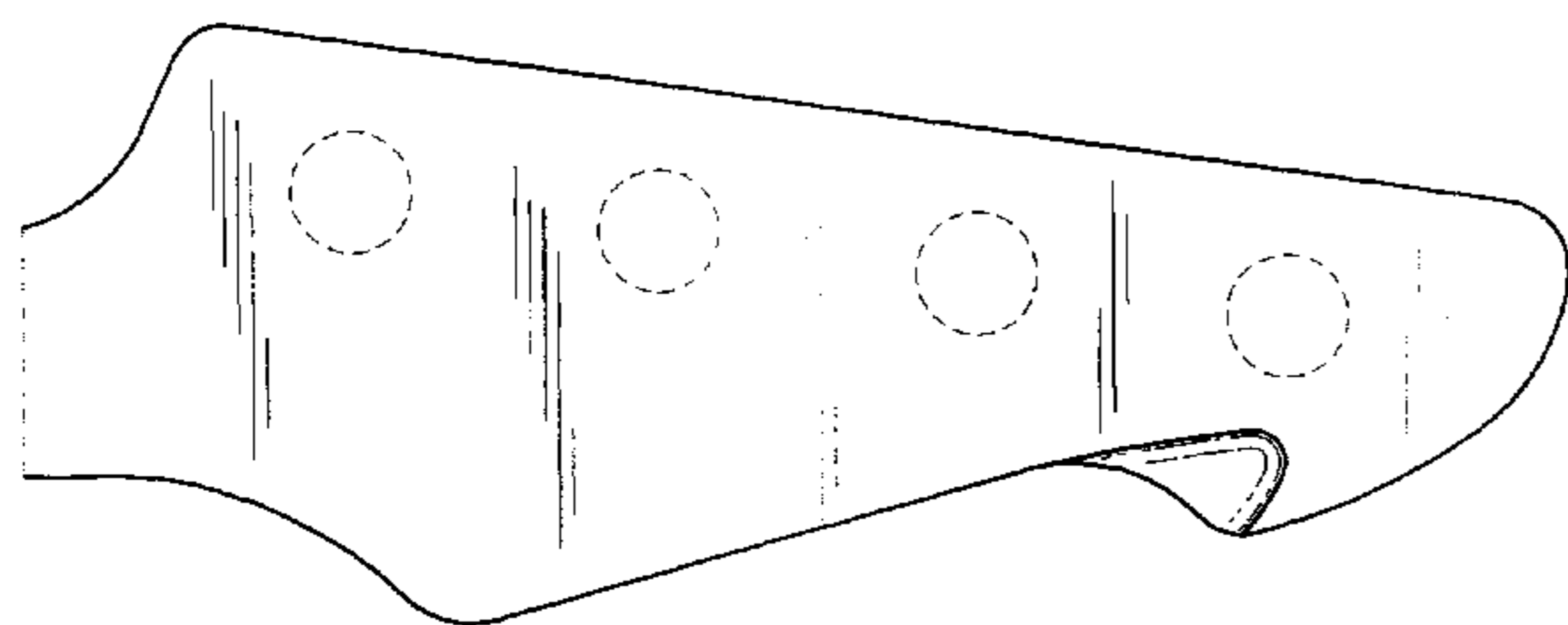
(57) **CLAIM**

The ornamental design for a guitar headstock, as shown and described.

DESCRIPTION

FIG. 1 is a front view of the guitar headstock;
FIG. 2 is a rear view of the guitar headstock of FIG. 1;
FIG. 3 is a top view of the guitar headstock of FIG. 1;
FIG. 4 is a bottom view of the guitar headstock of FIG. 1;
FIG. 5 is a right side view of the guitar headstock of FIG. 1;
FIG. 6 is a left side view of the guitar headstock of FIG. 1;
FIG. 7 is a front view of another embodiment the guitar headstock;
FIG. 8 is a rear view of the guitar headstock of FIG. 7;
FIG. 9 is a top view of the guitar headstock of FIG. 7;
FIG. 10 is a bottom view of the guitar headstock of FIG. 7;
FIG. 11 is a right side view of the guitar headstock of FIG. 7;
and,
FIG. 12 is a left side view of the guitar headstock of FIG. 7.
The broken lines shown throughout the views are included for the purpose of illustrating environmental structure and form no part of the claimed design.

1 Claim, 6 Drawing Sheets



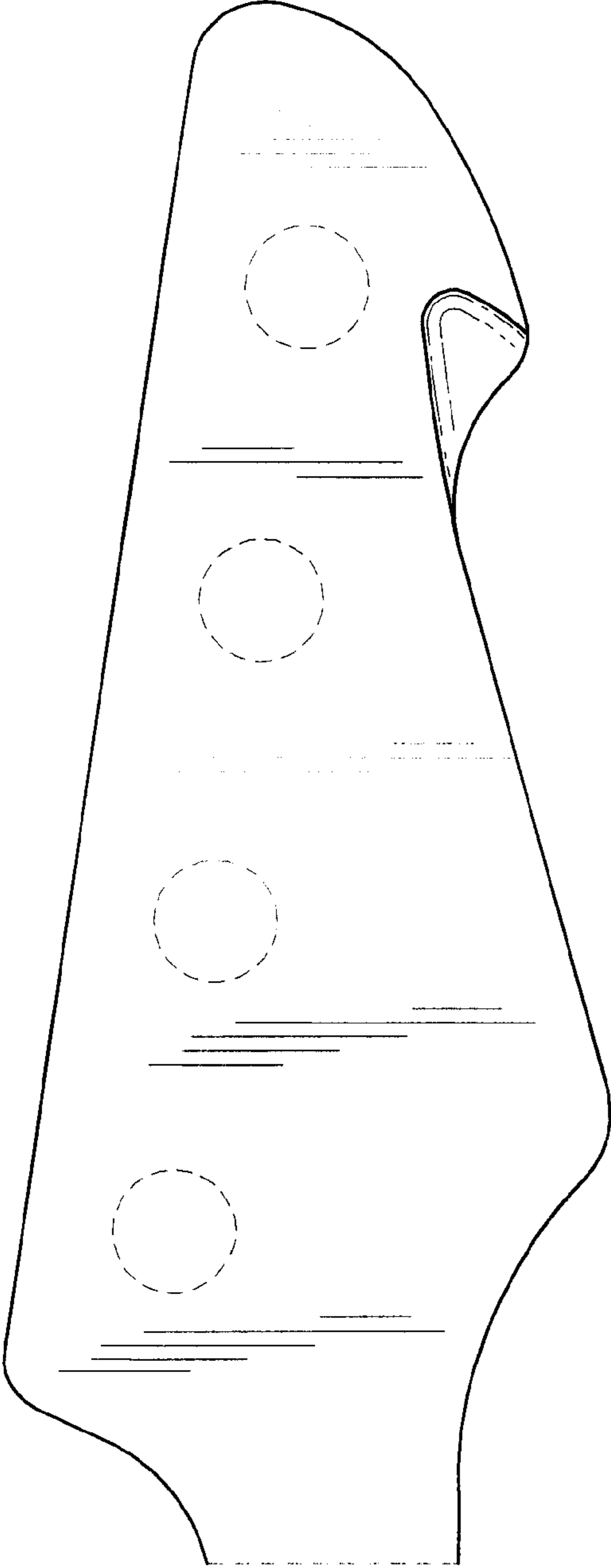


FIG. 1

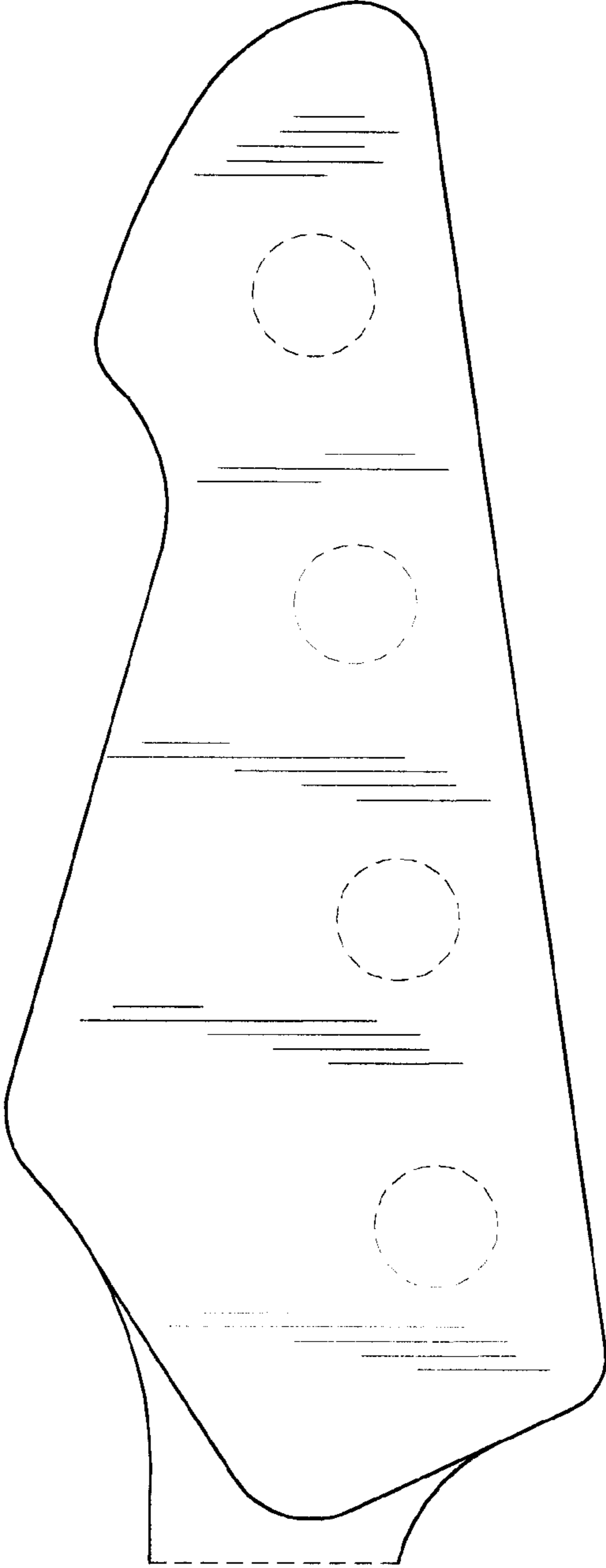


FIG. 2

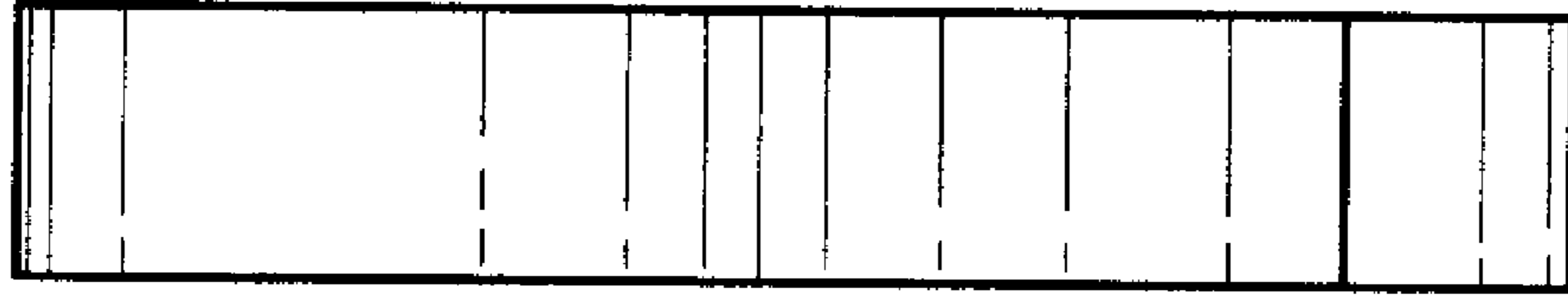


FIG. 3

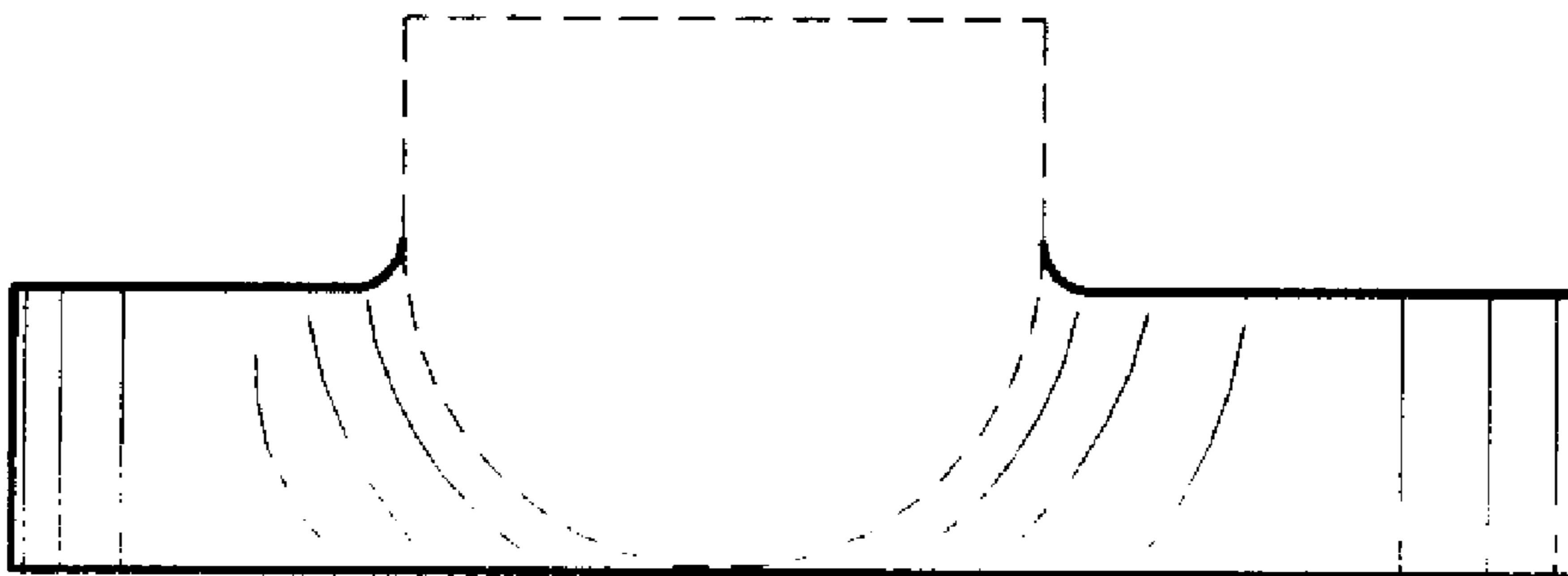


FIG. 4

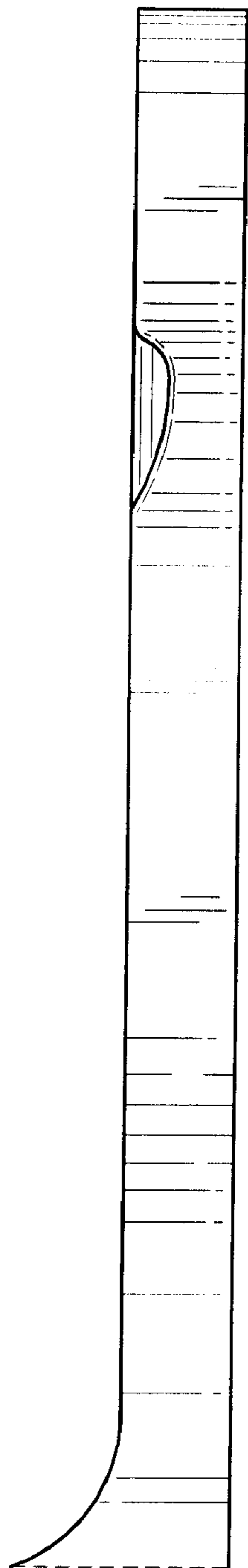


FIG. 5

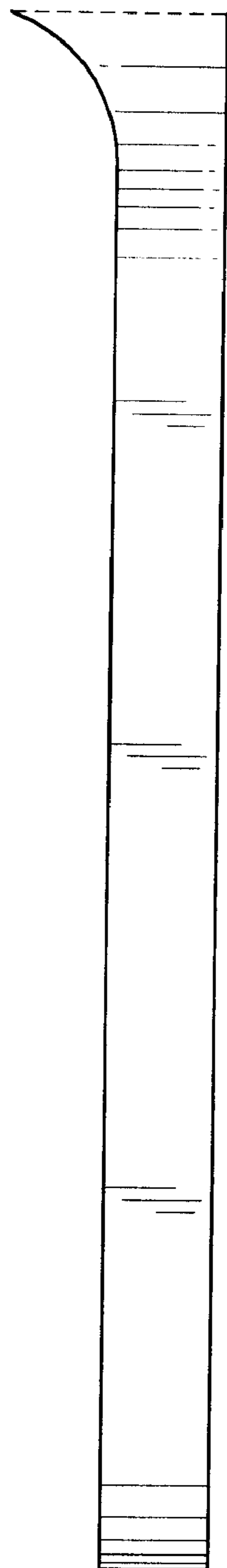


FIG. 6

FIG. 7

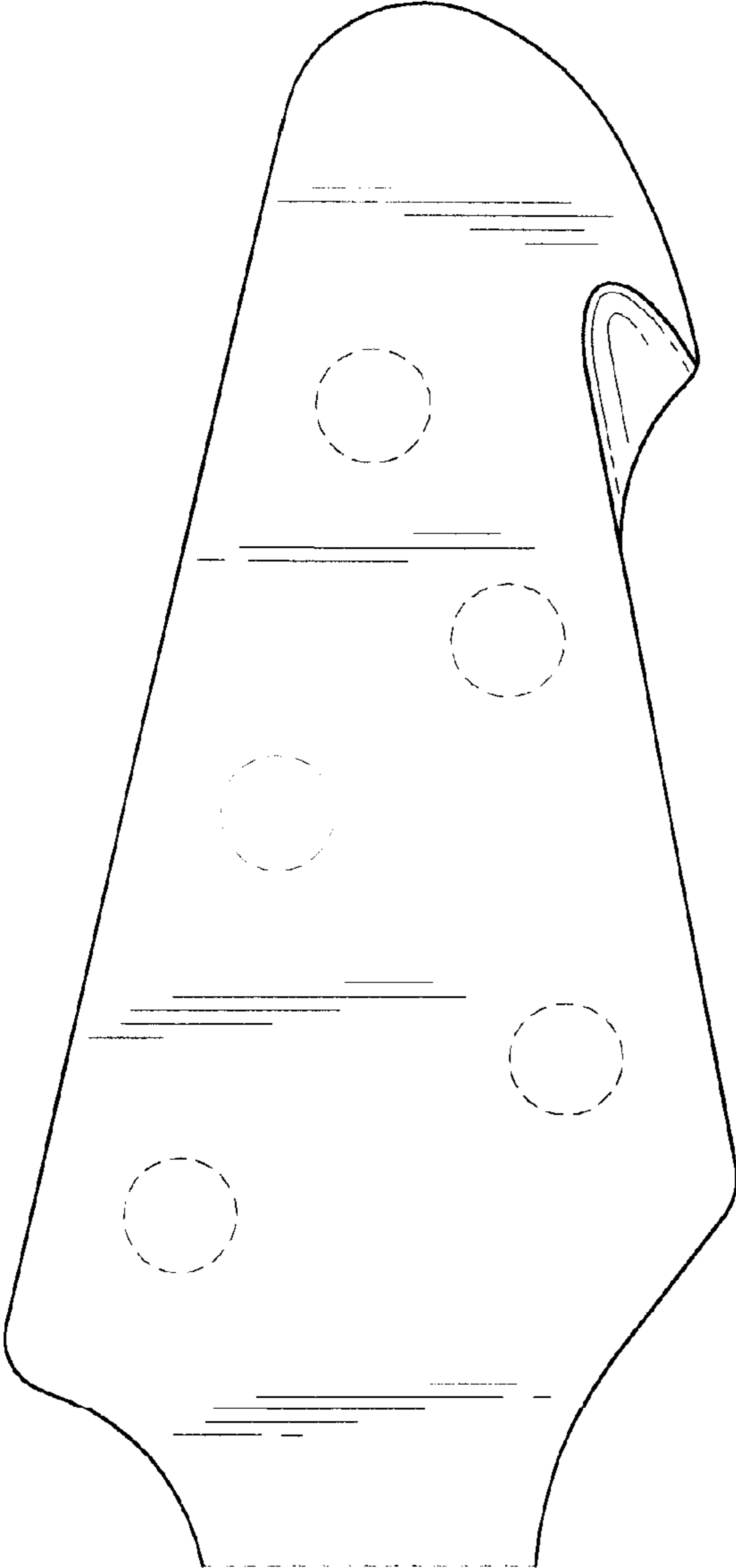


FIG. 8

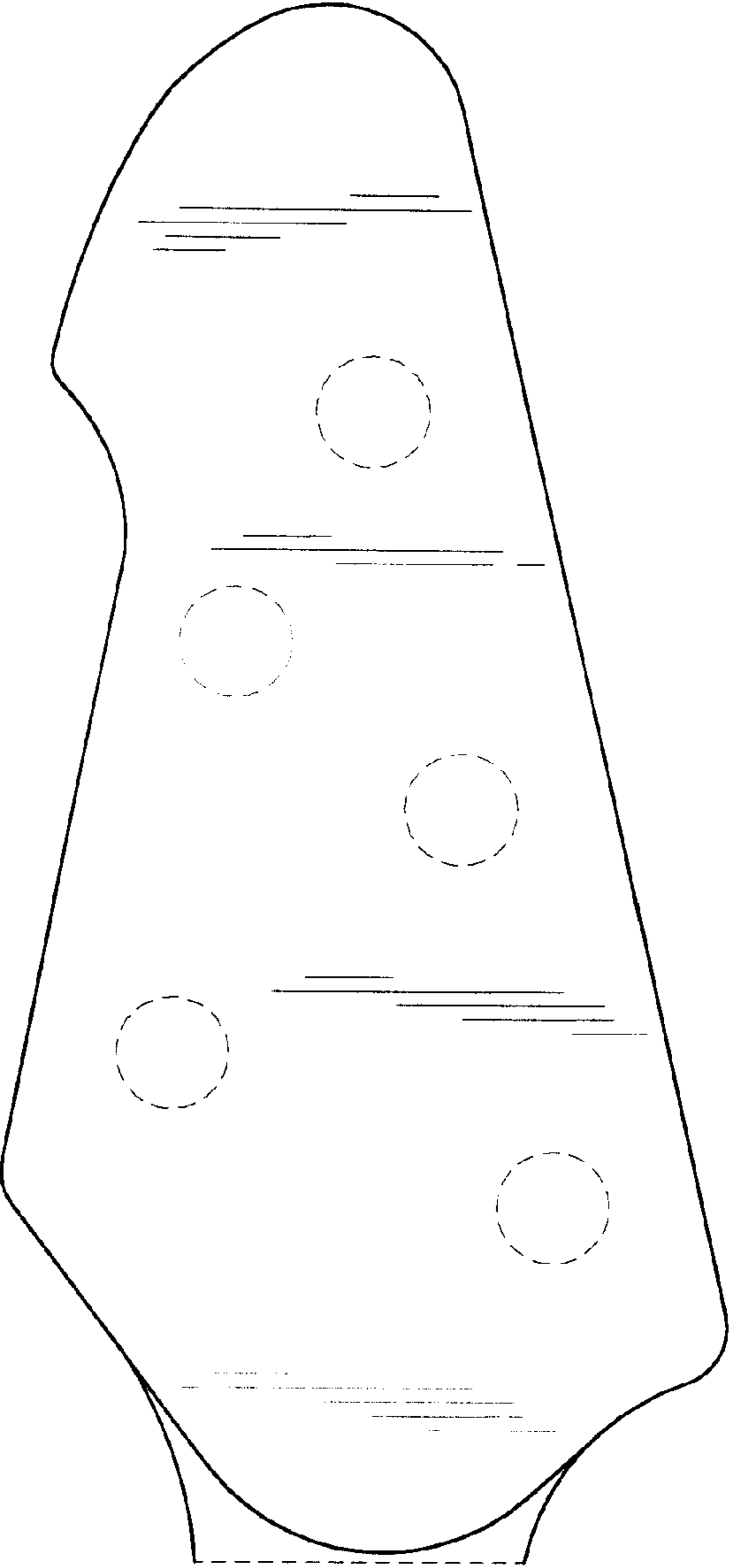




FIG. 9

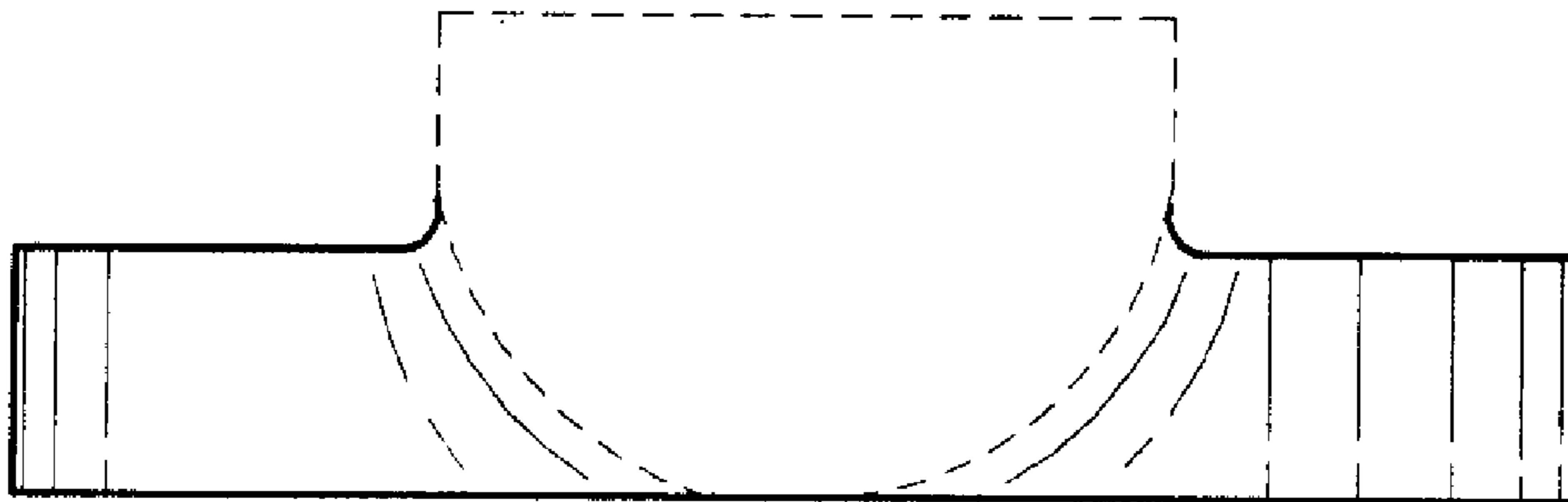


FIG. 10

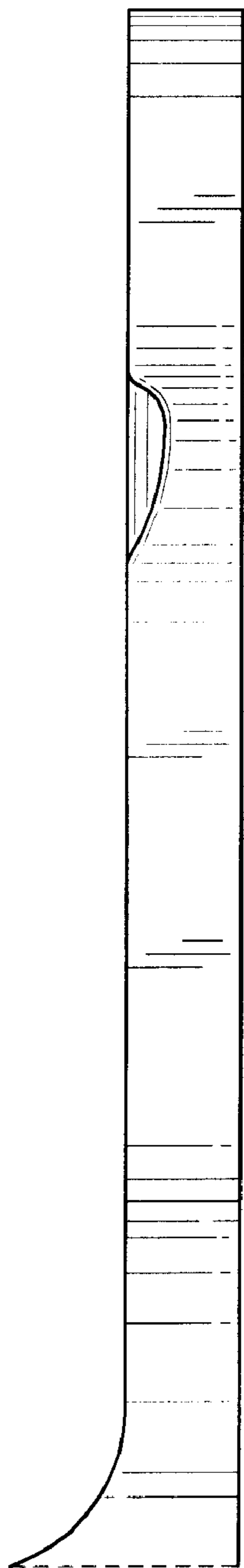


FIG. 11

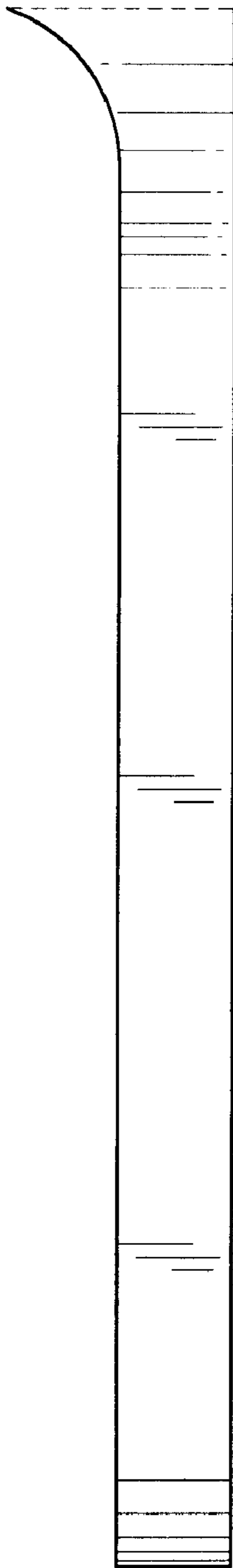


FIG. 12