



US00D572300S

(12) **United States Design Patent**
Hashimoto

(10) **Patent No.:** **US D572,300 S**
(45) **Date of Patent:** **** Jul. 1, 2008**

(54) **ELECTRONIC KEYBOARD MUSICAL INSTRUMENT**

D554,690 S * 11/2007 Utsunomiya D17/1
D554,691 S * 11/2007 Ogino D17/1

(75) Inventor: **Ichiro Hashimoto**, Tokyo (JP)

(73) Assignee: **Casio Keisanki Kabushiki Kaisha**,
Tokyo (JP)

(**) Term: **14 Years**

(21) Appl. No.: **29/294,232**

(22) Filed: **Dec. 28, 2007**

(51) **LOC (8) Cl.** **17-01**

(52) **U.S. Cl.** **D17/1**

(58) **Field of Classification Search** D17/1,
D17/2, 7; 84/13, 423 R, 424, 172, 174, 719,
84/720, 744, 745

See application file for complete search history.

(56) **References Cited**

U.S. PATENT DOCUMENTS

D313,034 S	*	12/1990	Koide	D17/1
D416,934 S	*	11/1999	Nagayama	D17/5
D417,884 S	*	12/1999	Katsumata	D17/1
D441,003 S	*	4/2001	Chan	D17/1
D444,492 S	*	7/2001	Saito	D17/1
D461,837 S	*	8/2002	Chan	D17/1
D483,793 S	*	12/2003	Kitazawa	D17/1
D506,772 S	*	6/2005	Nagayama	D17/1
D510,380 S	*	10/2005	Adam et al.	D17/1

OTHER PUBLICATIONS

Related U.S. Appl. No. 29/294,231, filed Dec. 28, 2007; Inventor:
Kazuhito Sakaguchi et al.

* cited by examiner

Primary Examiner—Ian Simmons

Assistant Examiner—Rashida Johnson

(74) *Attorney, Agent, or Firm*—Frishauf, Holtz, Goodman &
Chick, P.C.

(57) **CLAIM**

The ornamental design for an electronic keyboard musical instrument, as shown.

DESCRIPTION

FIG. 1 is a front, right side, bottom perspective view of an electronic keyboard musical instrument showing my new design;

FIG. 2 is a front elevational view thereof;

FIG. 3 is a rear elevational view thereof;

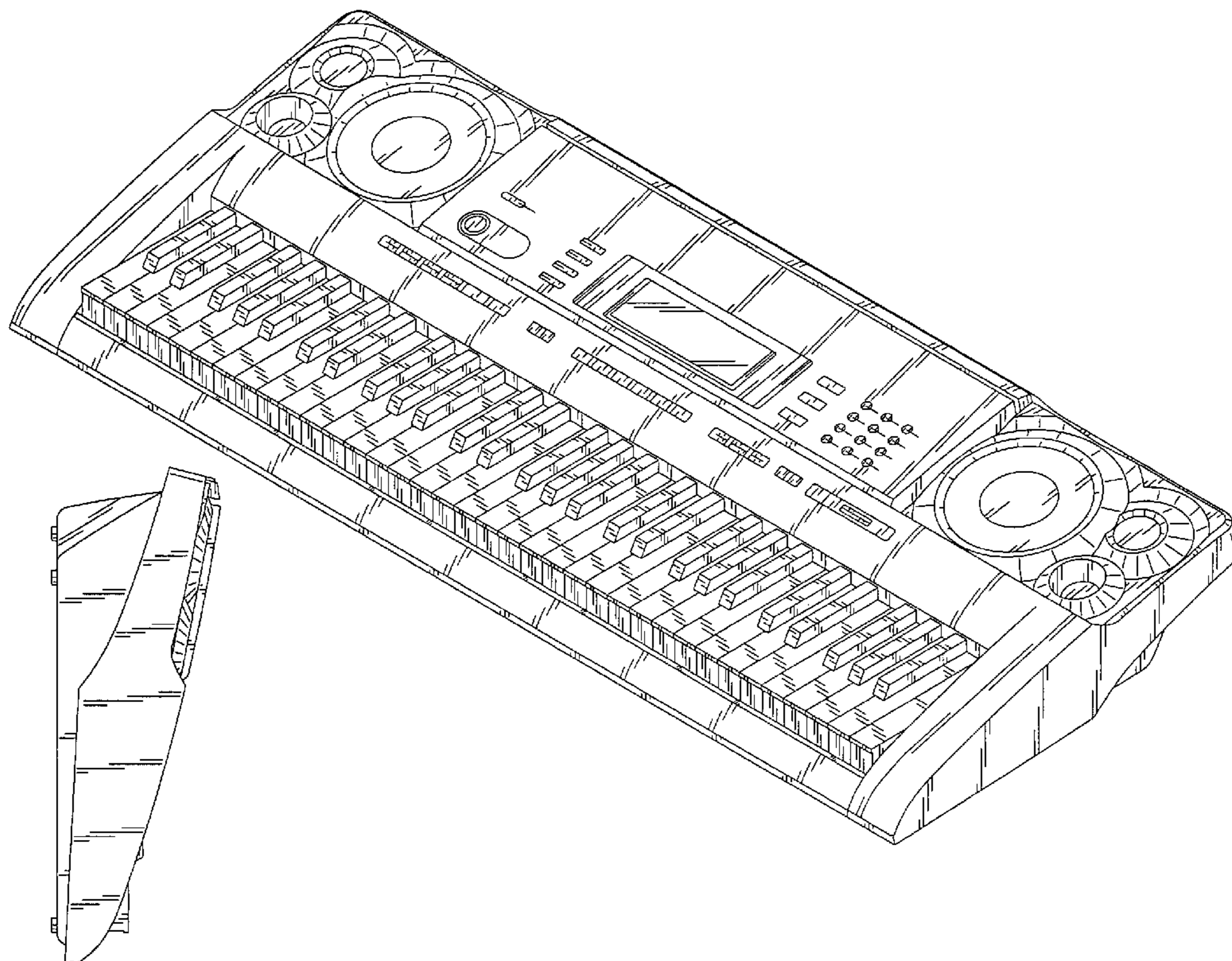
FIG. 4 is a left side view thereof;

FIG. 5 is a right side view thereof;

FIG. 6 is a top plan view thereof; and,

FIG. 7 is a bottom plan view thereof.

1 Claim, 6 Drawing Sheets



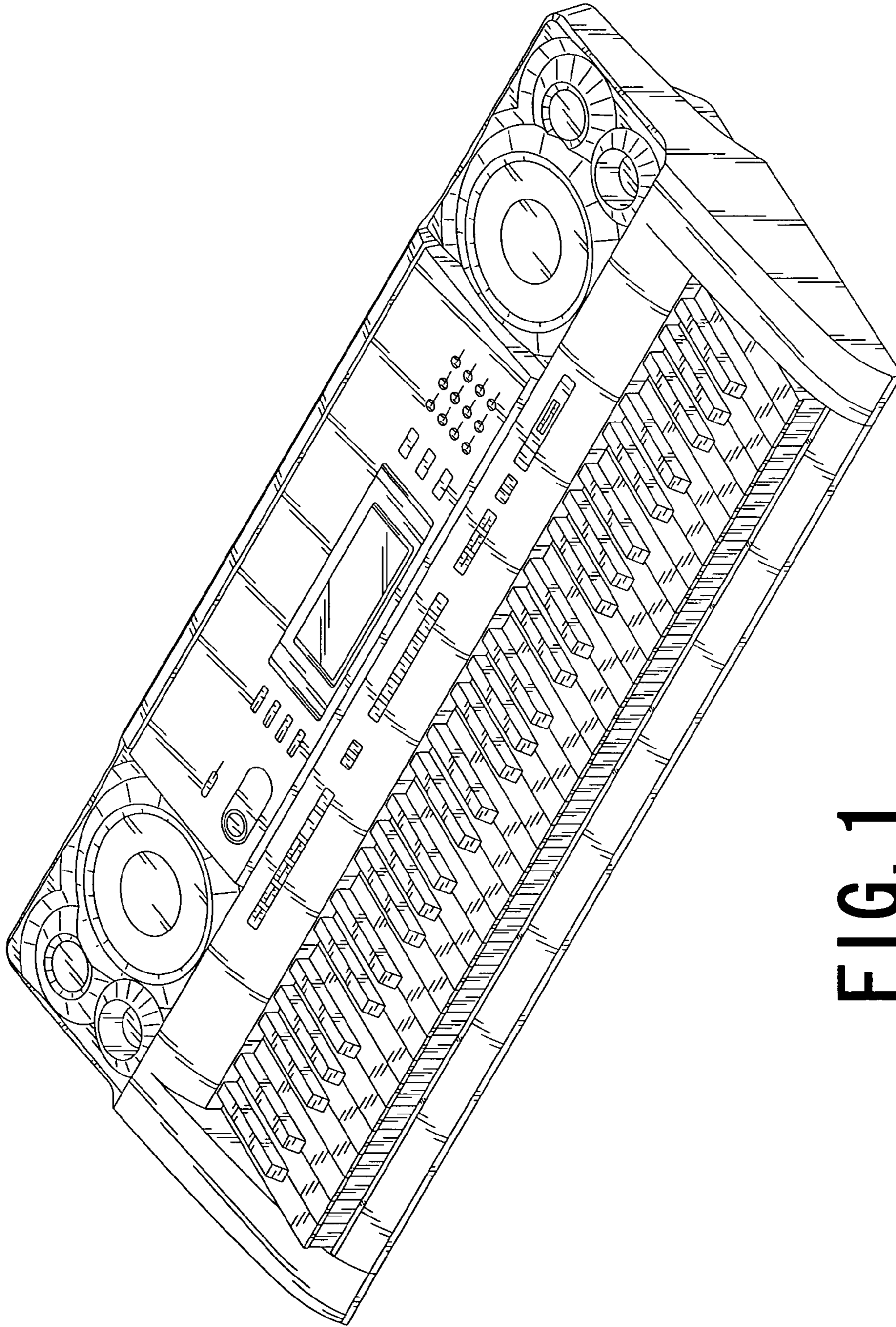


FIG. 1

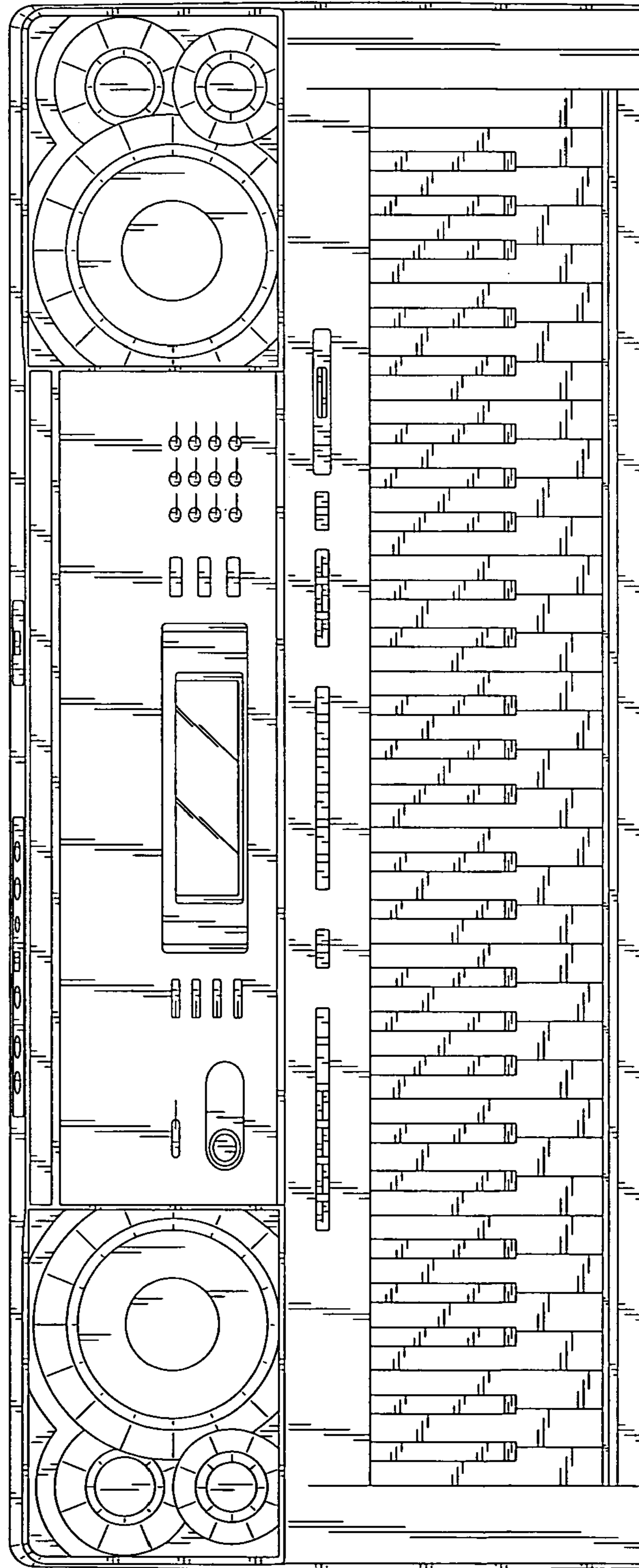


FIG. 2

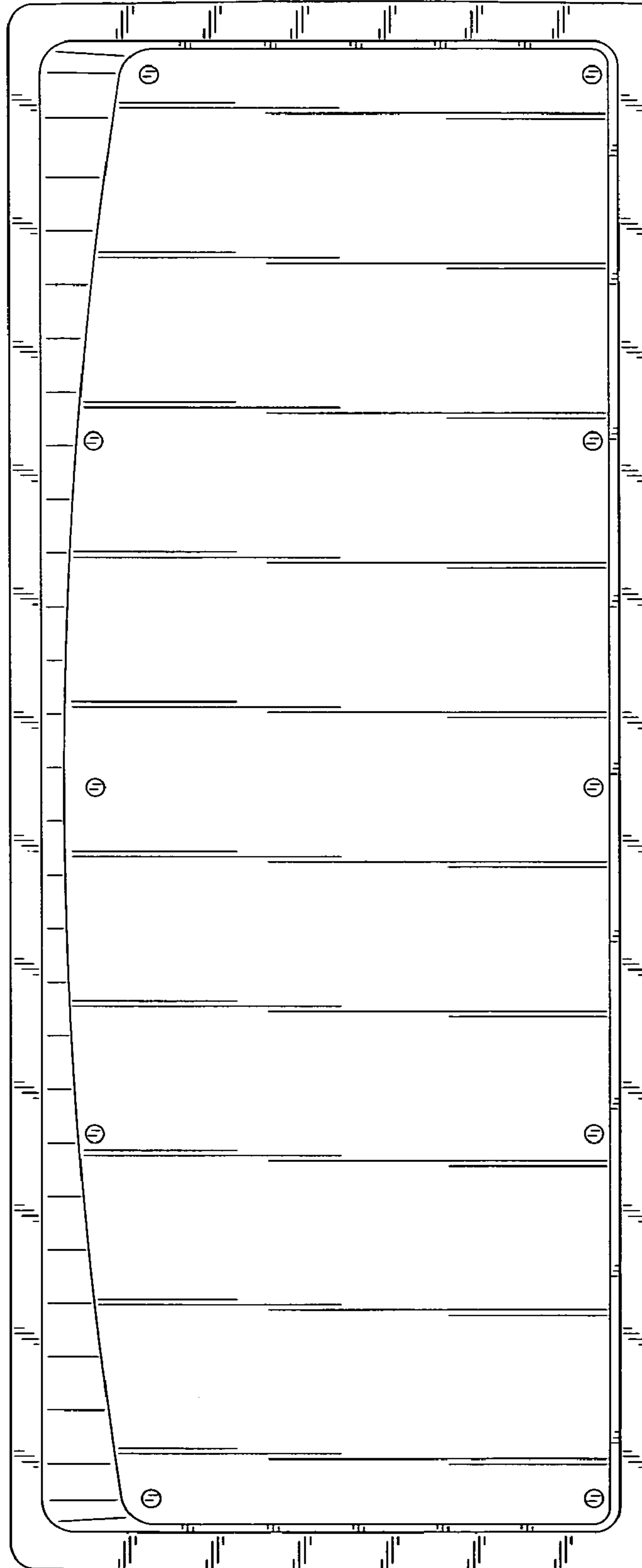


FIG. 3

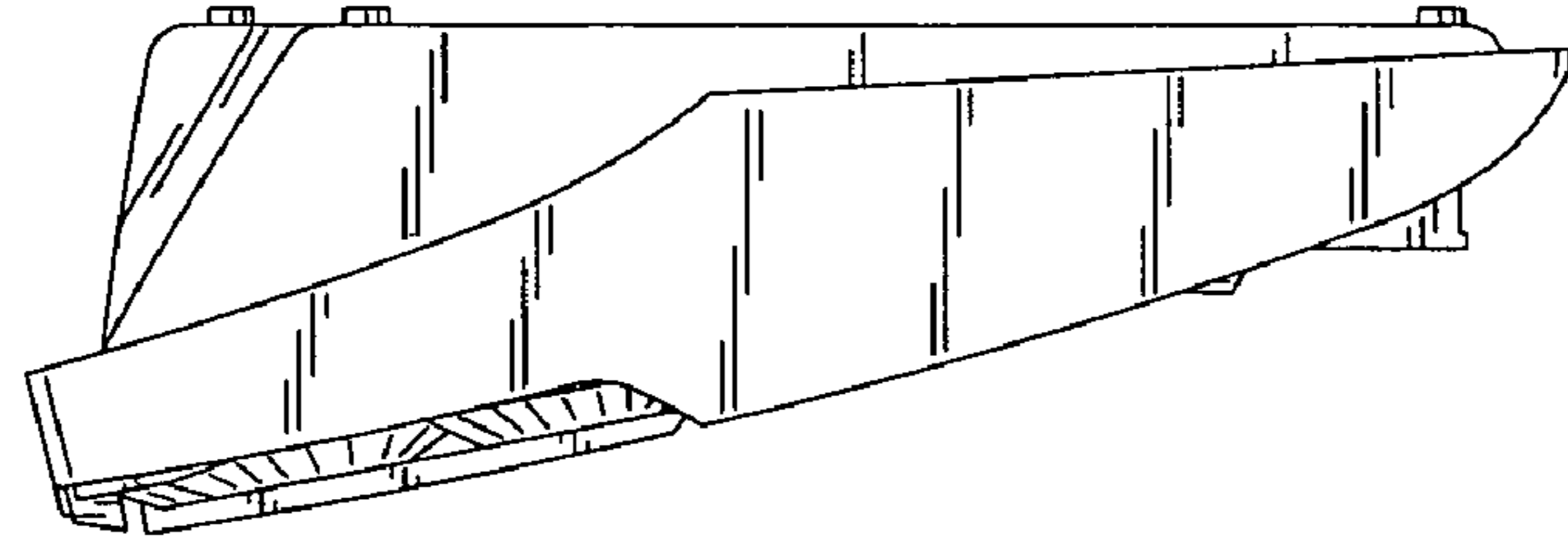


FIG. 5

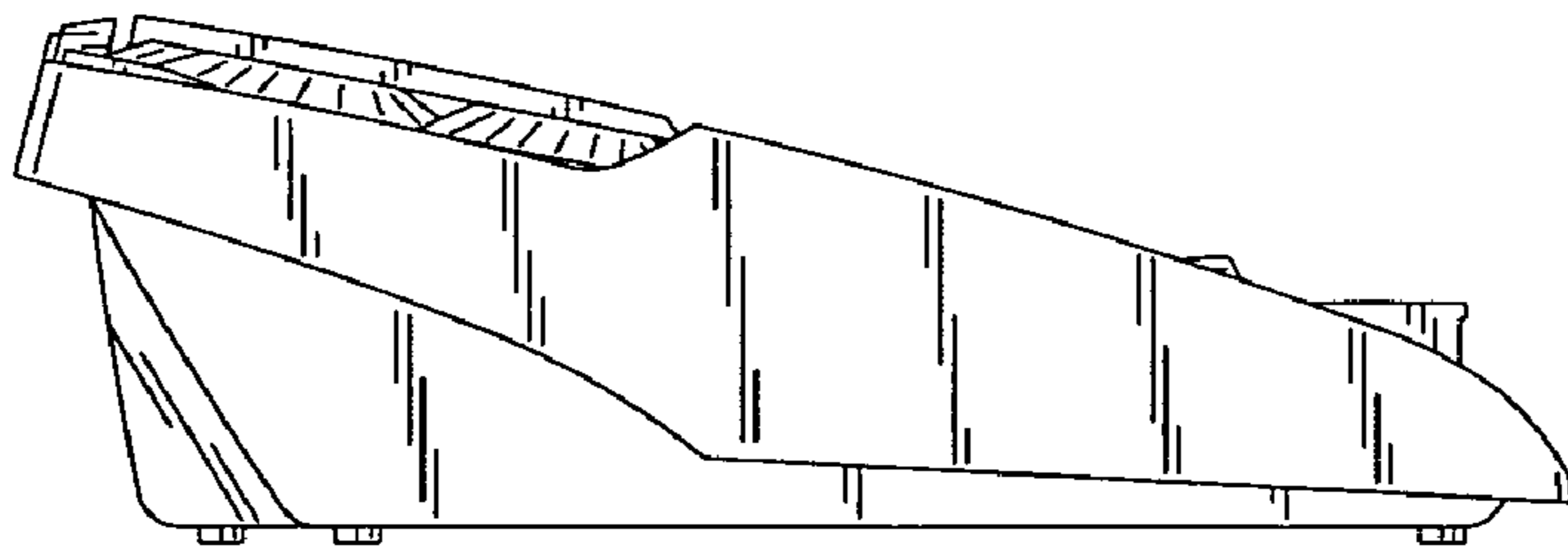


FIG. 4

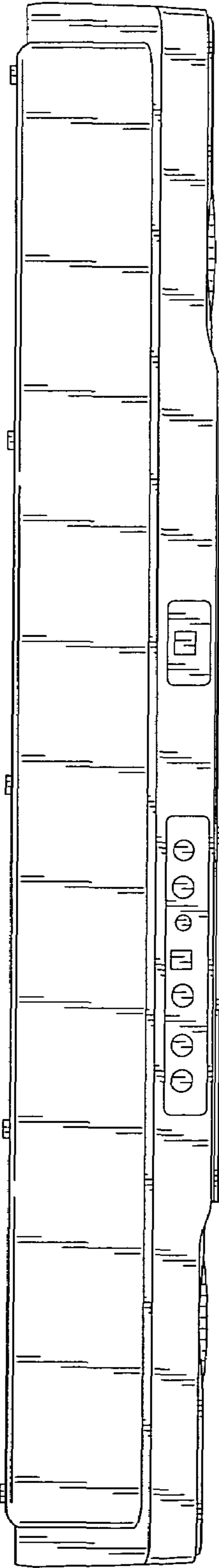


FIG. 6

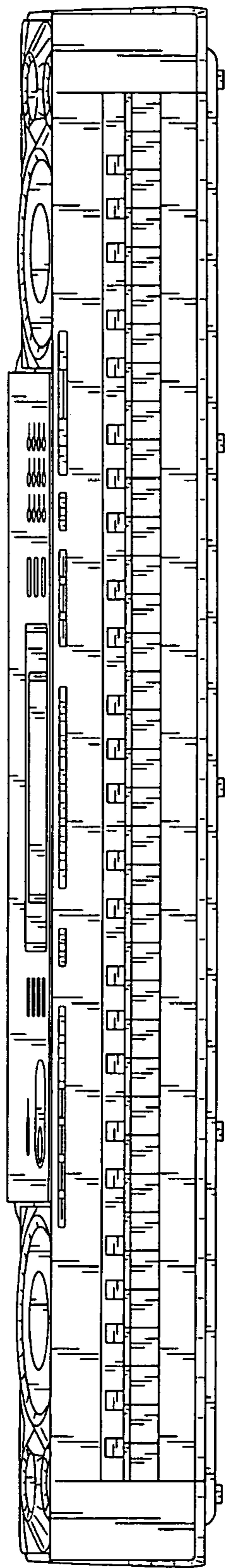


FIG. 7