



US00D572293S

(12) **United States Design Patent**
Cheng

(10) **Patent No.:** **US D572,293 S**
(45) **Date of Patent:** **** Jul. 1, 2008**

(54) **EYEGLASSES**

(76) **Inventor:** **Yu-Chih Cheng**, No. 10, Alley 16, Lane 40, Ta-wan Rd., Yung-Kang City, Tainan Hsien (TW)

(**) **Term:** **14 Years**

(21) **Appl. No.:** **29/299,780**

(22) **Filed:** **Jan. 4, 2008**

(30) **Foreign Application Priority Data**

Dec. 26, 2007 (TW) 96307043

(51) **LOC (8) Cl.** **16-06**

(52) **U.S. Cl.** **D16/315; D16/311**

(58) **Field of Classification Search** D16/101, D16/300-338, 341, 342; D21/190; D24/110.2; 2/12, 13, 426, 432, 434-437, 441, 447-449, 2/453; 351/41, 44, 47, 51, 61-63, 83, 89, 351/90, 158; D14/137, 156, 157, 168, 169, D14/188, 189-199, 265, 446; D27/148; 359/618; 381/327

See application file for complete search history.

(56) **References Cited**

U.S. PATENT DOCUMENTS

D227,407 S * 6/1973 Marchi D16/323
D339,816 S * 9/1993 Jackson D16/300
D388,815 S * 1/1998 Mage D16/320
D403,691 S * 1/1999 Flanagan D16/326

D544,017 S * 6/2007 Teng D16/326
D555,703 S * 11/2007 Damen D16/315
D555,704 S * 11/2007 Kuo D16/320
D556,244 S * 11/2007 Tsai D16/315
D557,322 S * 12/2007 Yang D16/315
D557,323 S * 12/2007 Yang D16/315
D559,887 S * 1/2008 Wu D16/315
D565,090 S * 3/2008 Yee D16/326
2003/0193643 A1 * 10/2003 Pratt 351/44

* cited by examiner

Primary Examiner—T. Chase Nelson

Assistant Examiner—Barbara B Lohr

(74) *Attorney, Agent, or Firm*—Caesar, Rivise, Bernstein, Cohen & Pokotilow, Ltd.

(57) **CLAIM**

The ornamental design for eyeglasses, as shown and described.

DESCRIPTION

FIG. 1 is a perspective view of eyeglasses showing my new design;

FIG. 2 is a front elevational view thereof;

FIG. 3 is a rear elevational view thereof;

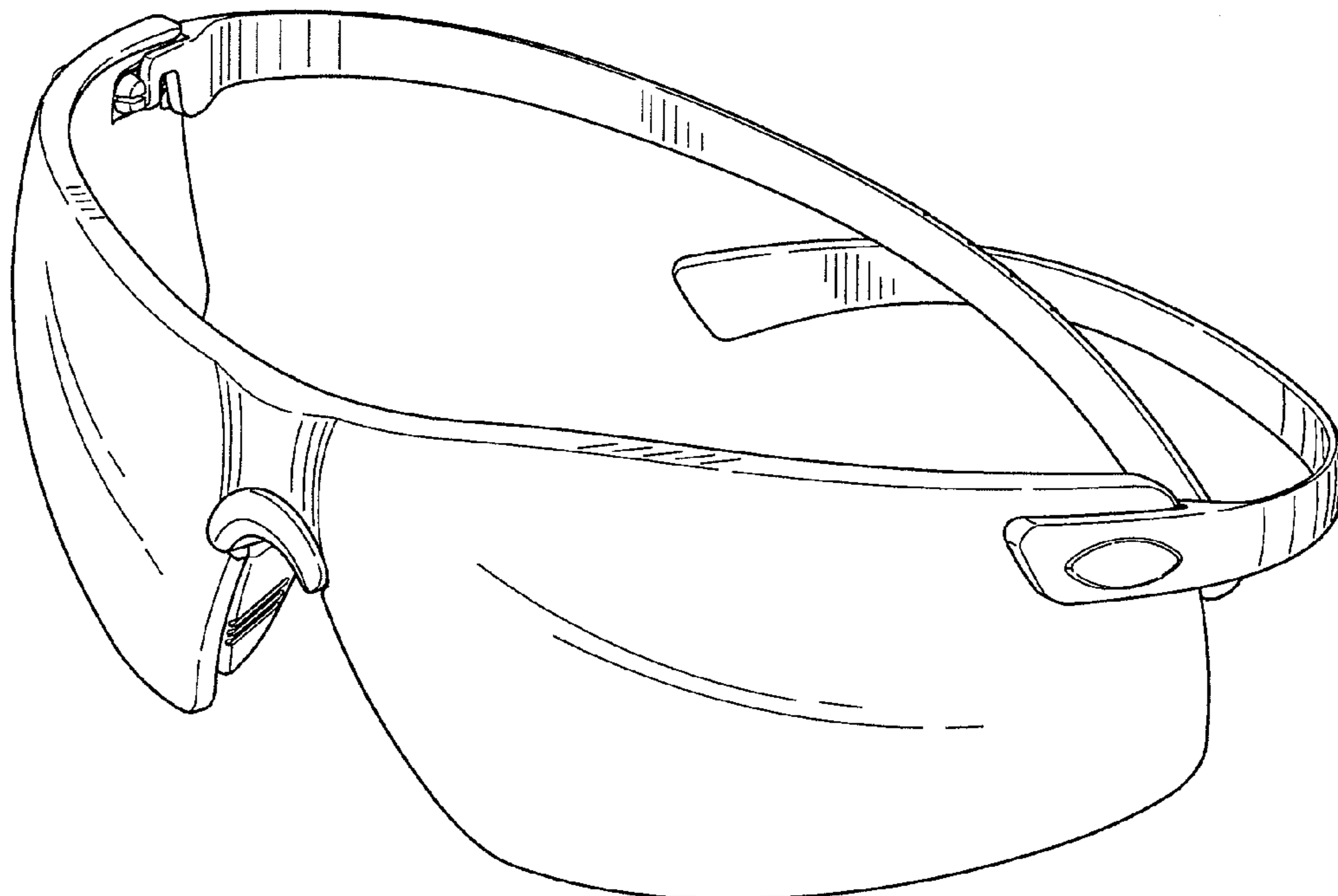
FIG. 4 is a left side elevational view thereof;

FIG. 5 is a right side elevational view thereof;

FIG. 6 is a top plan view thereof; and,

FIG. 7 is a bottom plan view thereof.

1 Claim, 6 Drawing Sheets



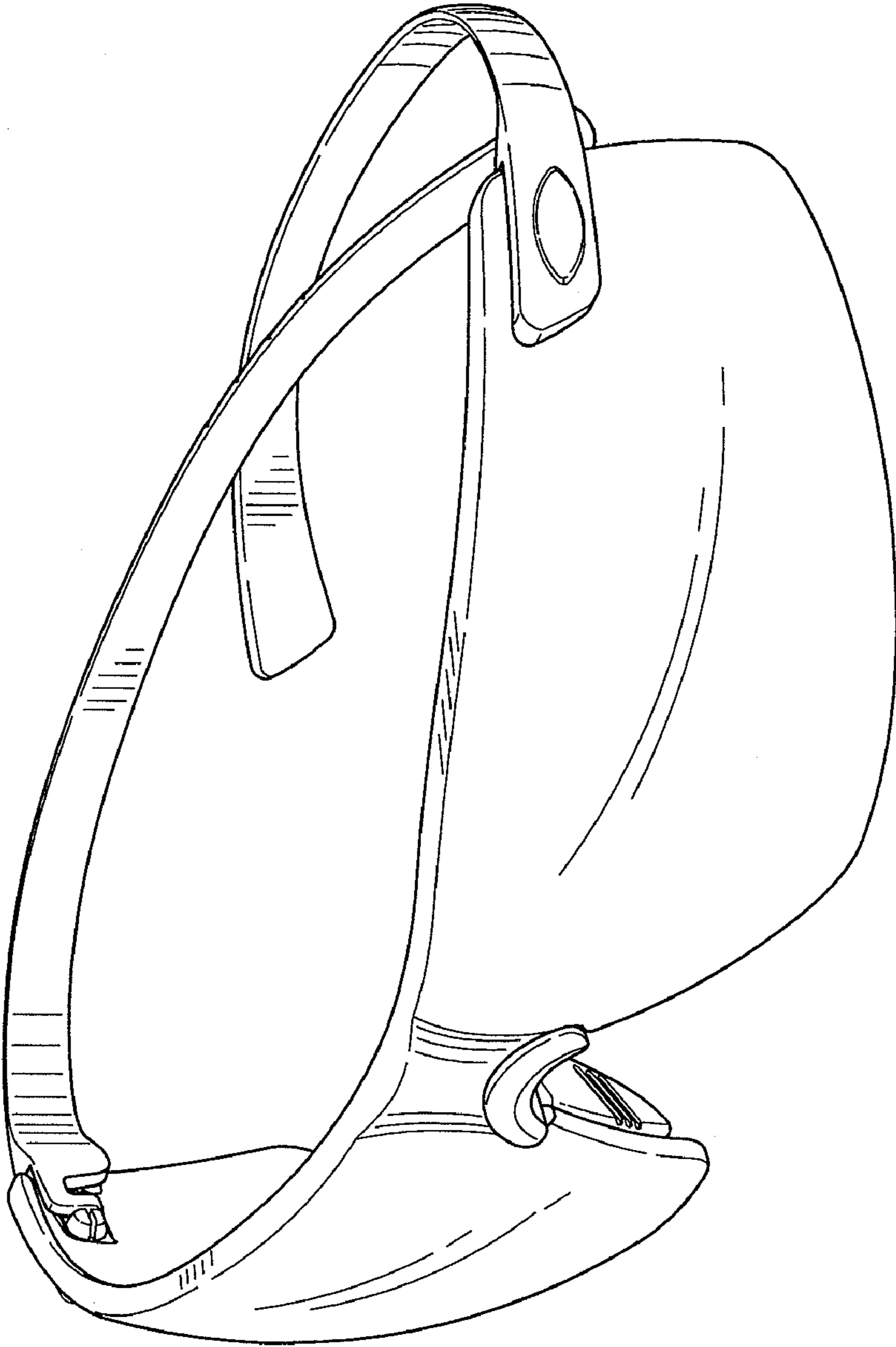


FIG. 1

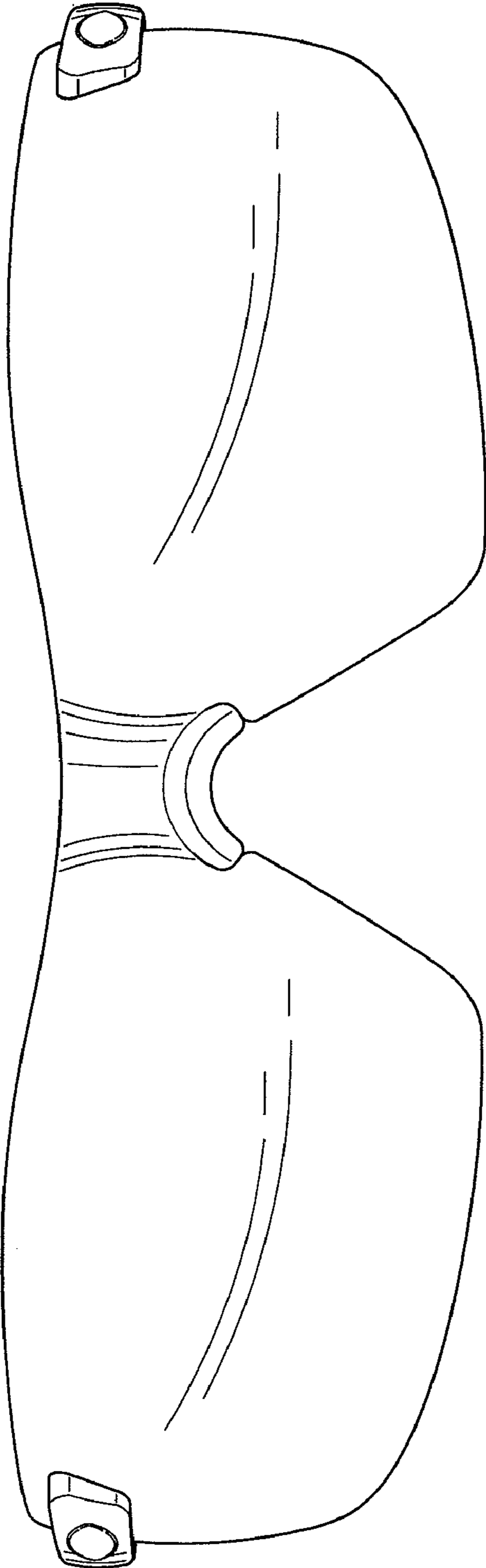


FIG. 2

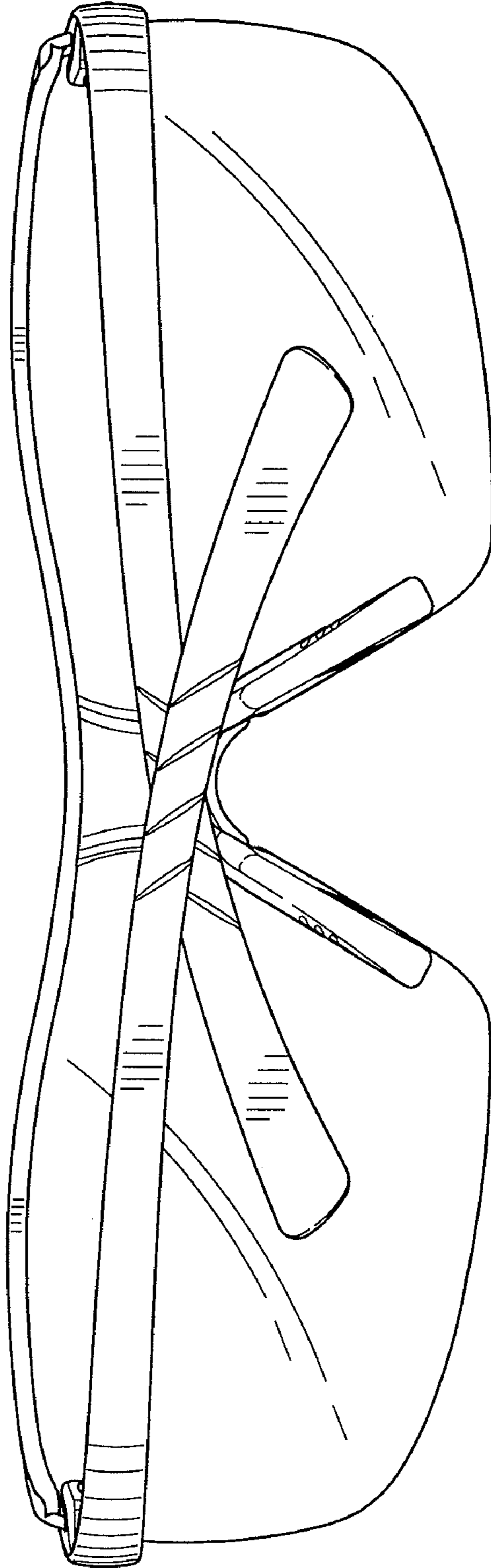


FIG. 3

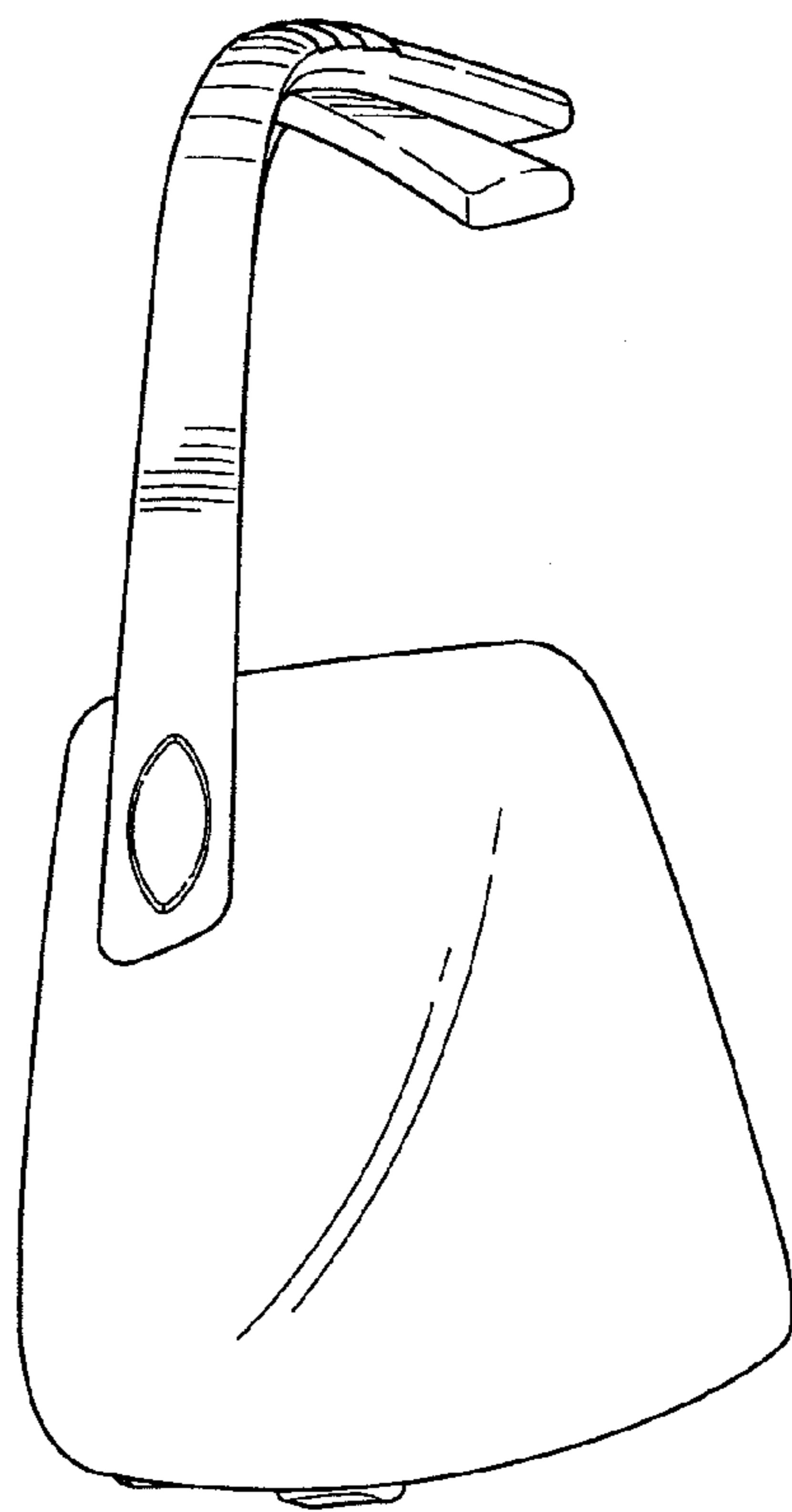


FIG. 5

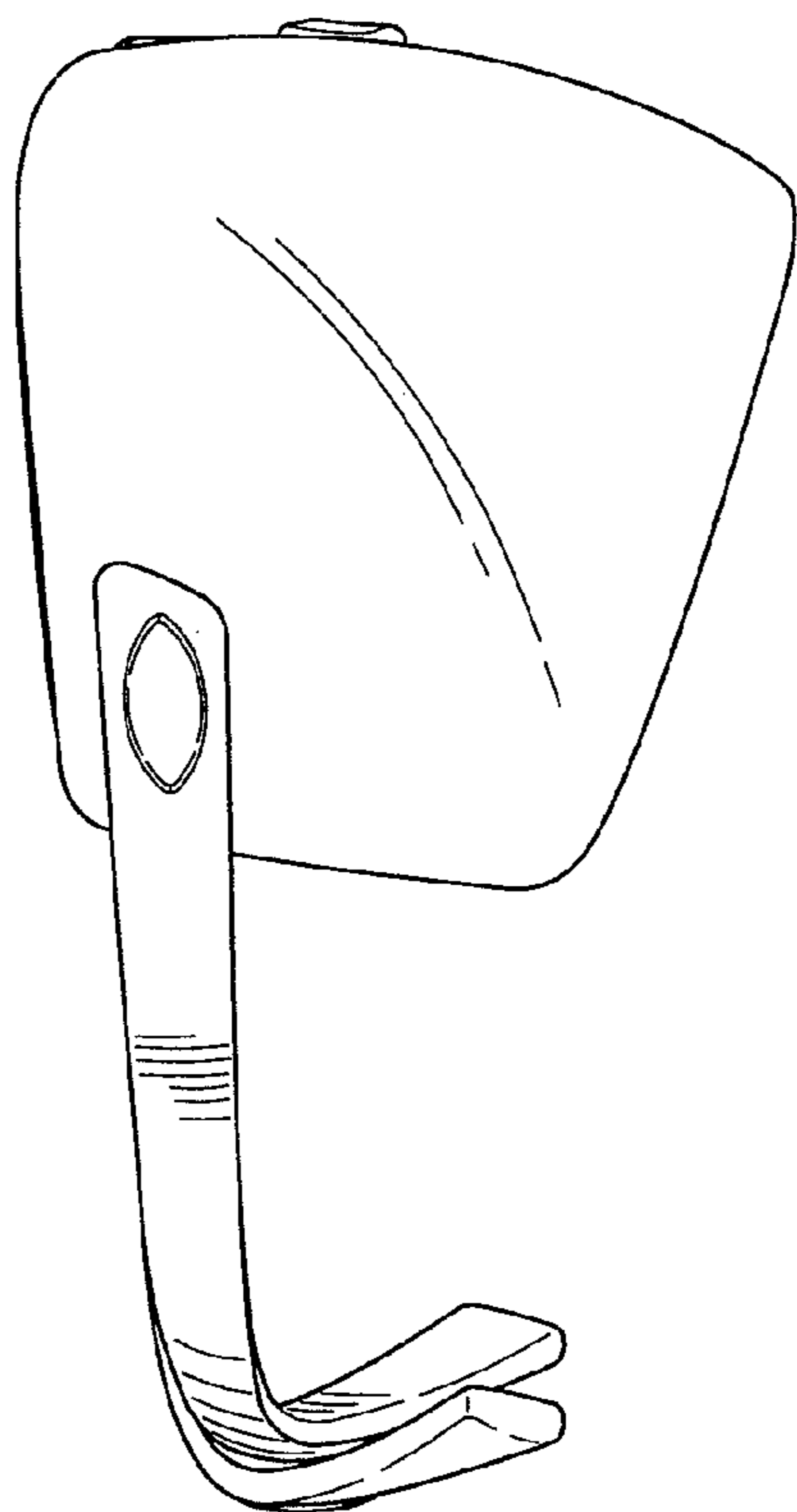


FIG. 4

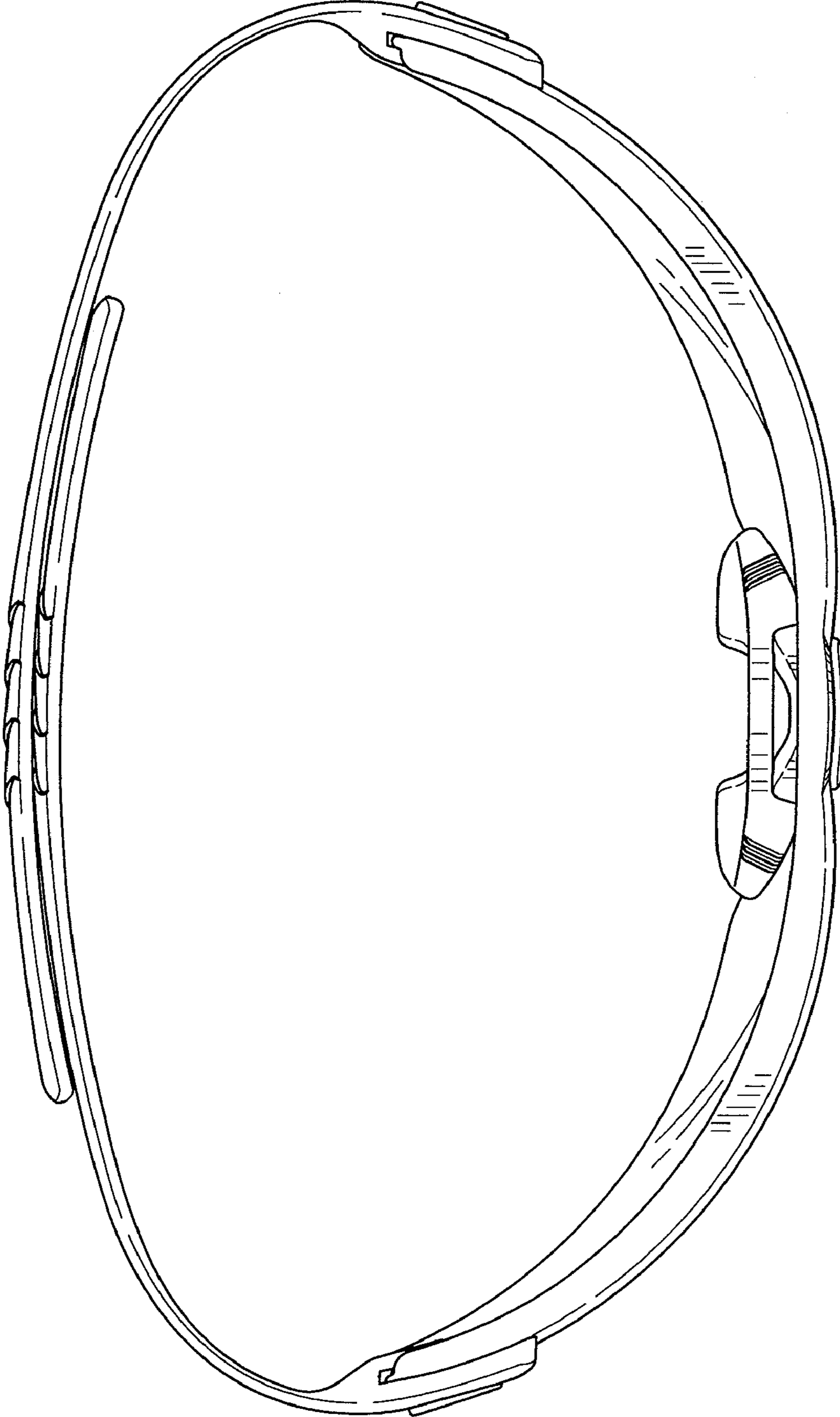


FIG. 6

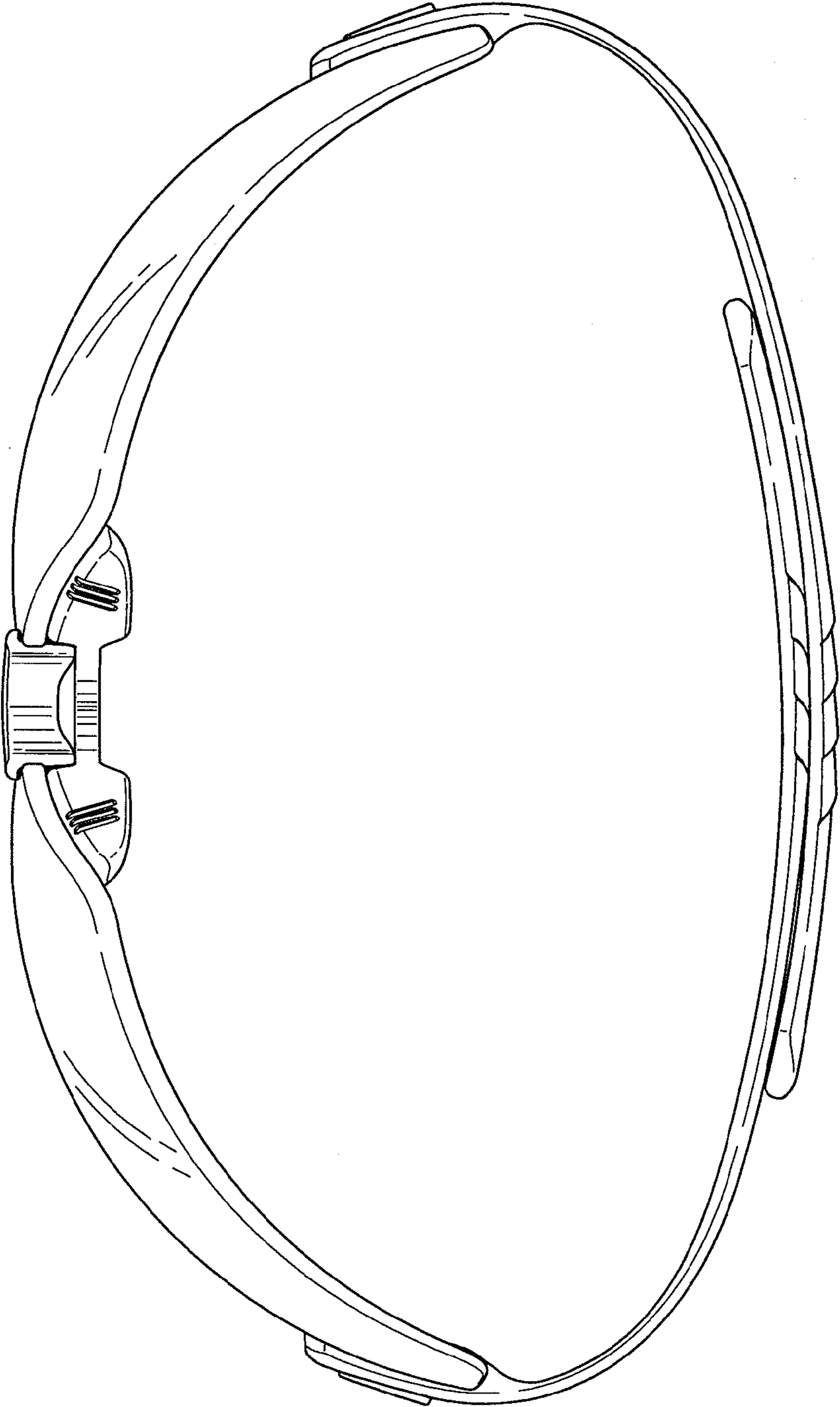


FIG. 7