



US00D572289S

(12) **United States Design Patent**
Shimobayashi

(10) **Patent No.:** **US D572,289 S**
(45) **Date of Patent:** **** Jul. 1, 2008**

(54) **DIGITAL CAMERA**

D478,110 S * 8/2003 Nasu D16/219
D523,458 S * 6/2006 Watanabe D16/219

(75) Inventor: **Koji Shimobayashi**, Hachioji (JP)

* cited by examiner

(73) Assignee: **Olympus Imaging Corp.**, Tokyo (JP)

Primary Examiner—Adir Aronovich

(**) Term: **14 Years**

(74) *Attorney, Agent, or Firm*—Straub and Pokotylo; John C. Pokotylo

(21) Appl. No.: **29/292,508**

(57) **CLAIM**

(22) Filed: **Oct. 11, 2007**

The ornamental design for a digital camera, as shown and described.

Related U.S. Application Data

(62) Division of application No. 29/263,782, filed on Jul. 28, 2006.

DESCRIPTION

(51) **LOC (8) Cl.** **16-05**

FIG. 1 is a front, top and right side perspective view of a digital camera, showing my design;

(52) **U.S. Cl.** **D16/219**; D16/136

FIG. 2 is a rear, top and left side perspective view thereof;

(58) **Field of Classification Search** D16/134,
D16/136, 200, 202, 204, 218, 219, 237; 348/373–375;
359/825–828; 396/532, 544

FIG. 3 is a front view thereof;

FIG. 4 is a rear view thereof;

FIG. 5 is a top plan view thereof;

FIG. 6 is a bottom plan view thereof;

FIG. 7 is a left side view thereof; and,

FIG. 8 is a right side view thereof.

See application file for complete search history.

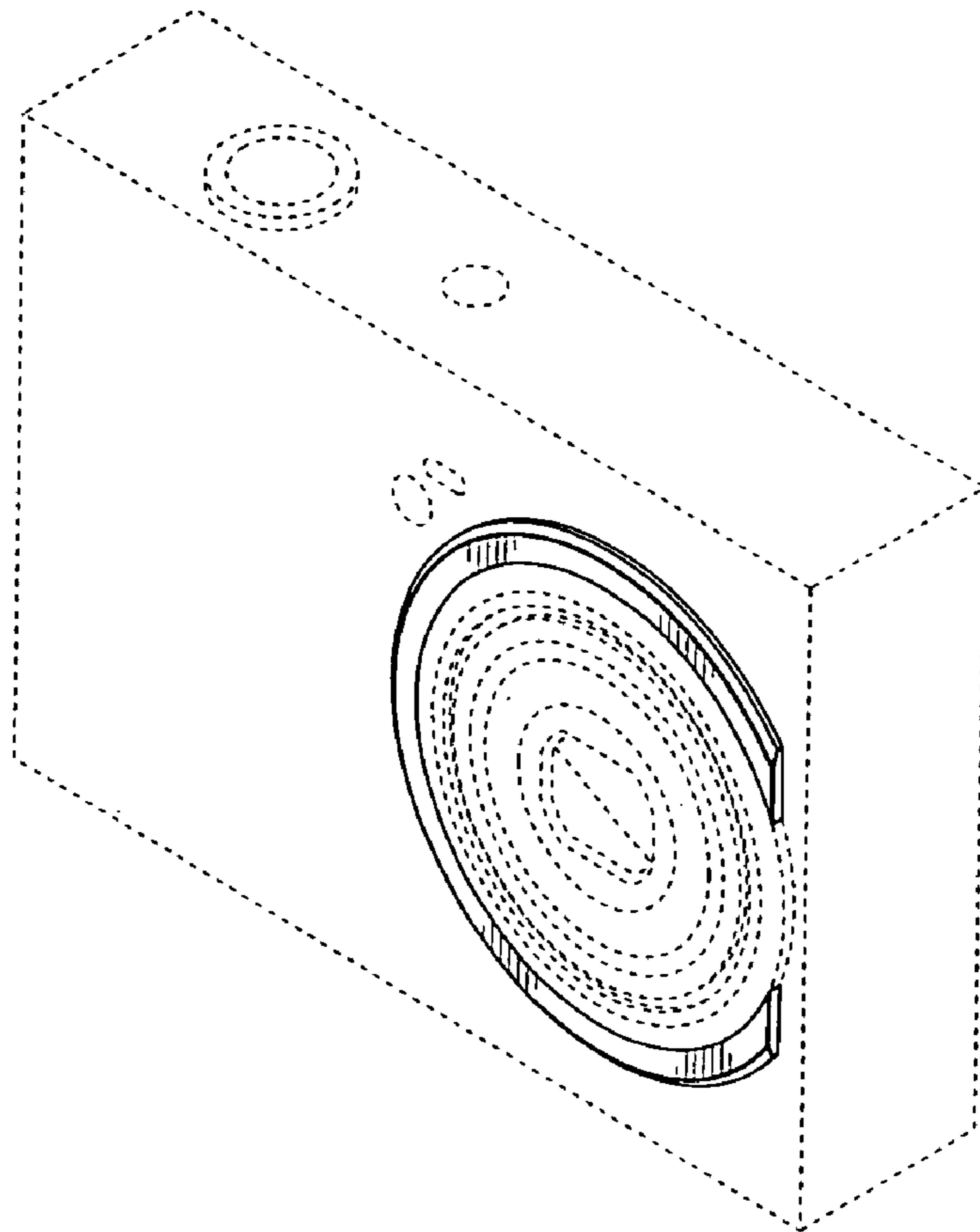
The broken lines are for illustrative purposes only and form no part of the claimed design.

(56) **References Cited**

U.S. PATENT DOCUMENTS

2,776,595 A * 1/1957 Schumacher 396/544
4,204,761 A * 5/1980 Walker 396/544
4,596,454 A * 6/1986 Kawai et al. 396/532
D465,505 S * 11/2002 Nasu D16/219

1 Claim, 3 Drawing Sheets



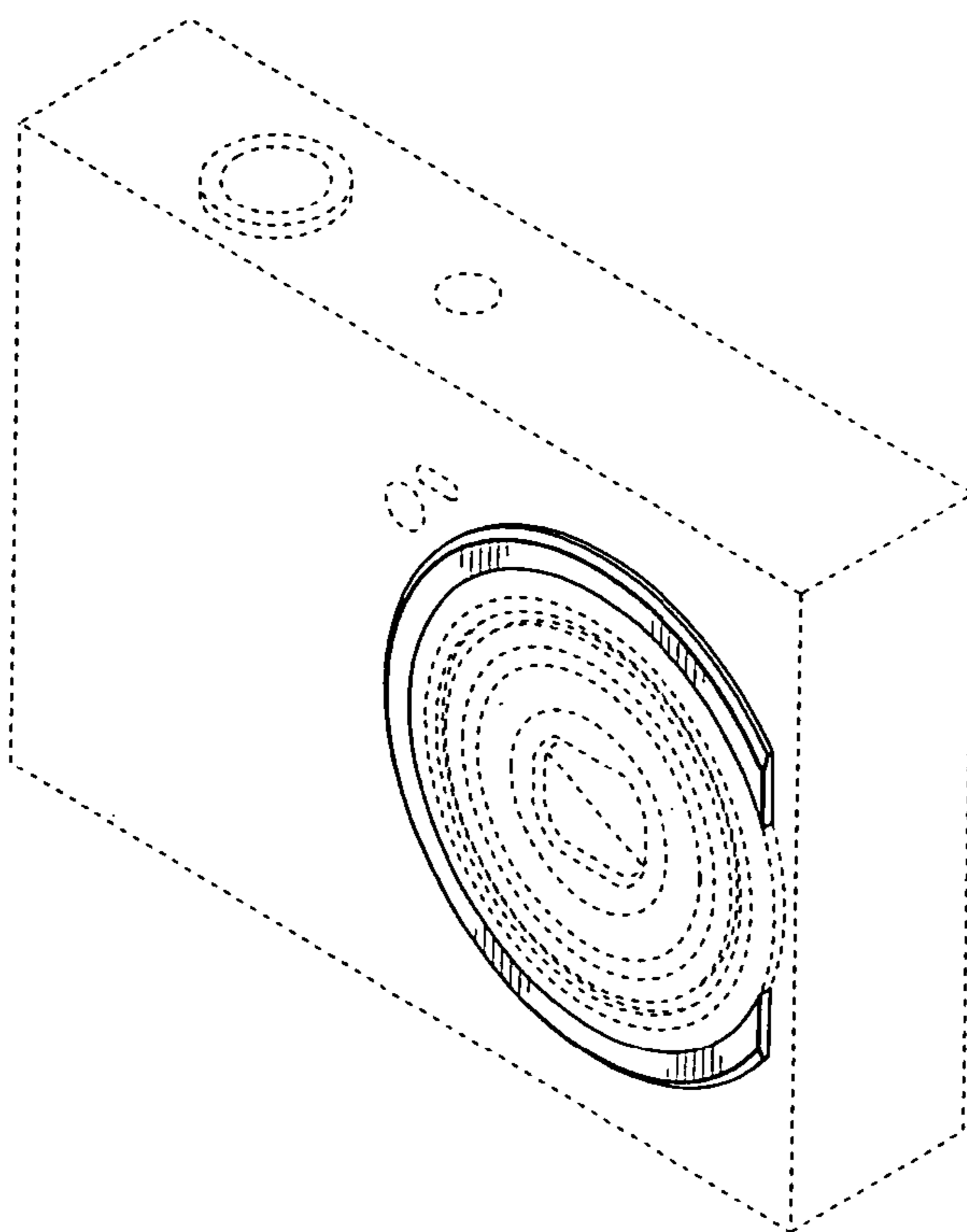


FIG. 1

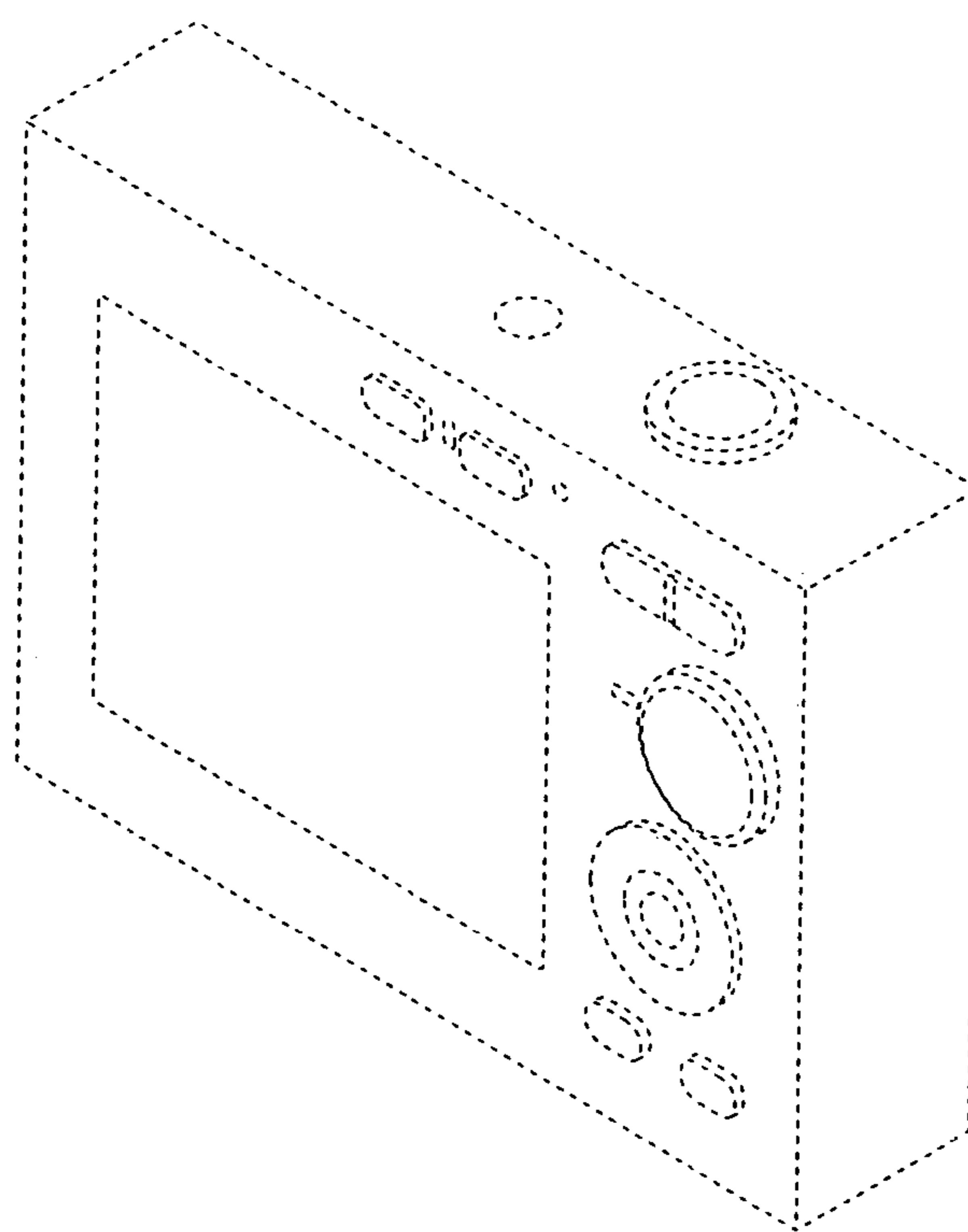


FIG. 2

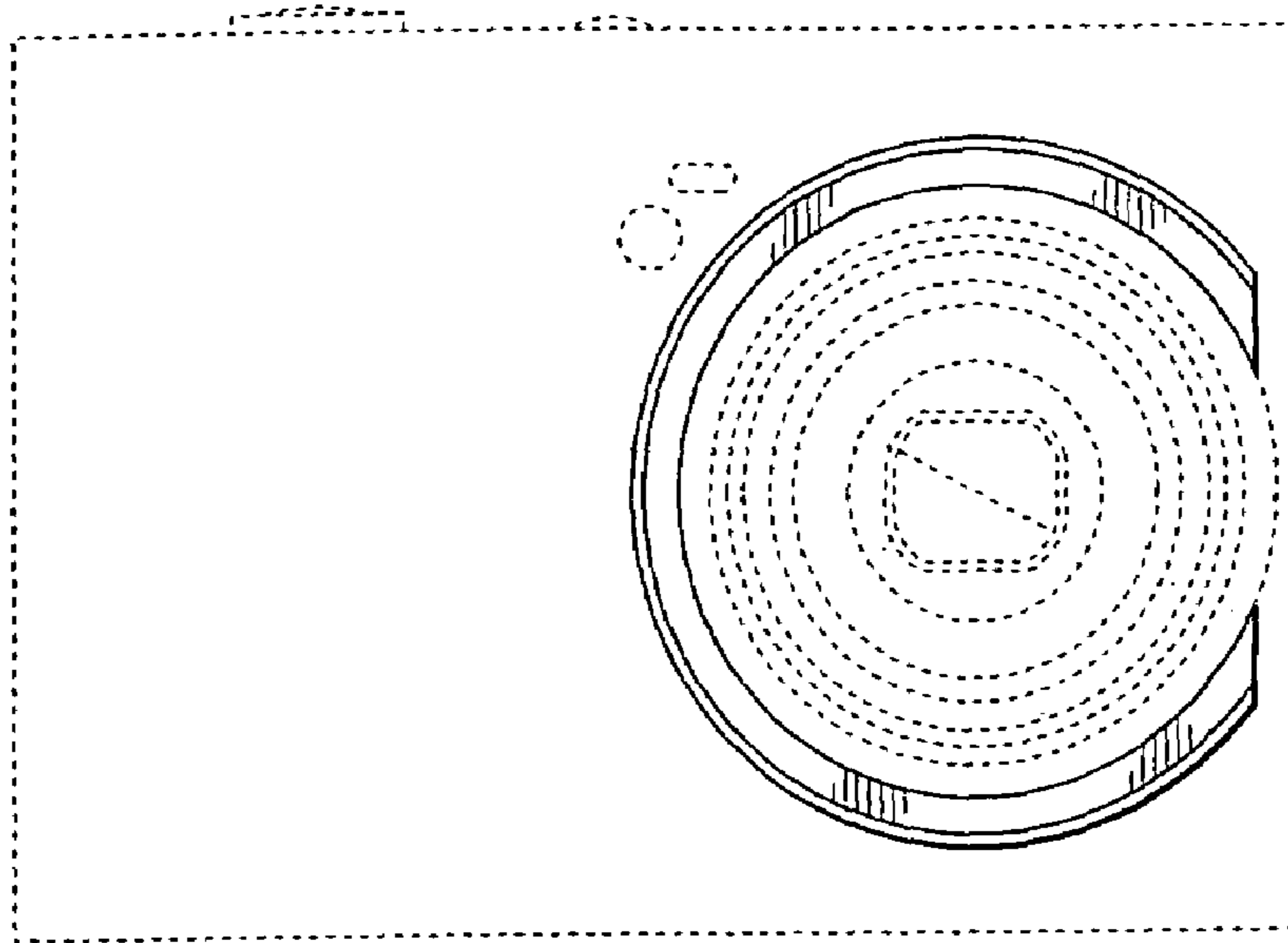


FIG. 3

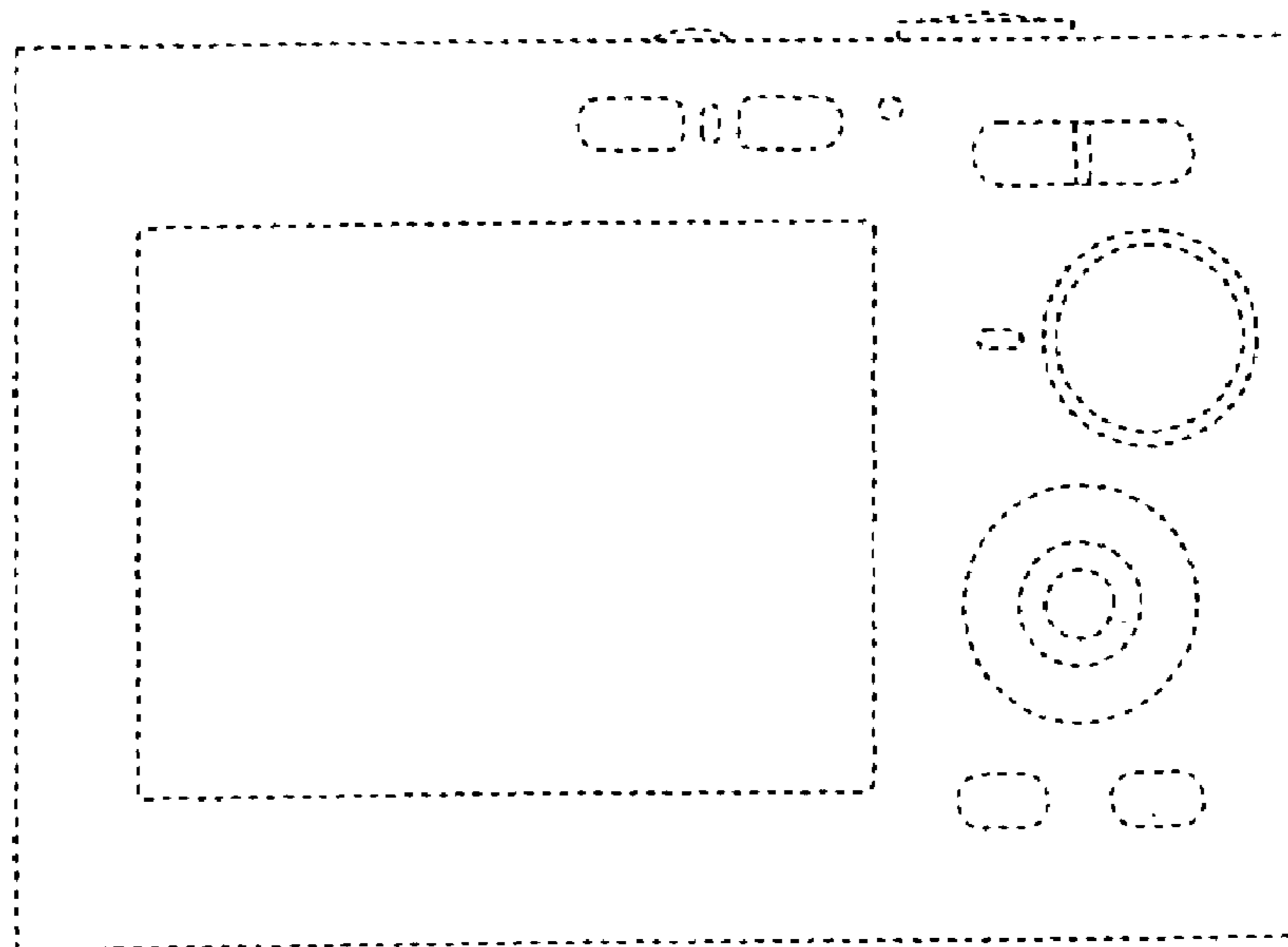


FIG. 4

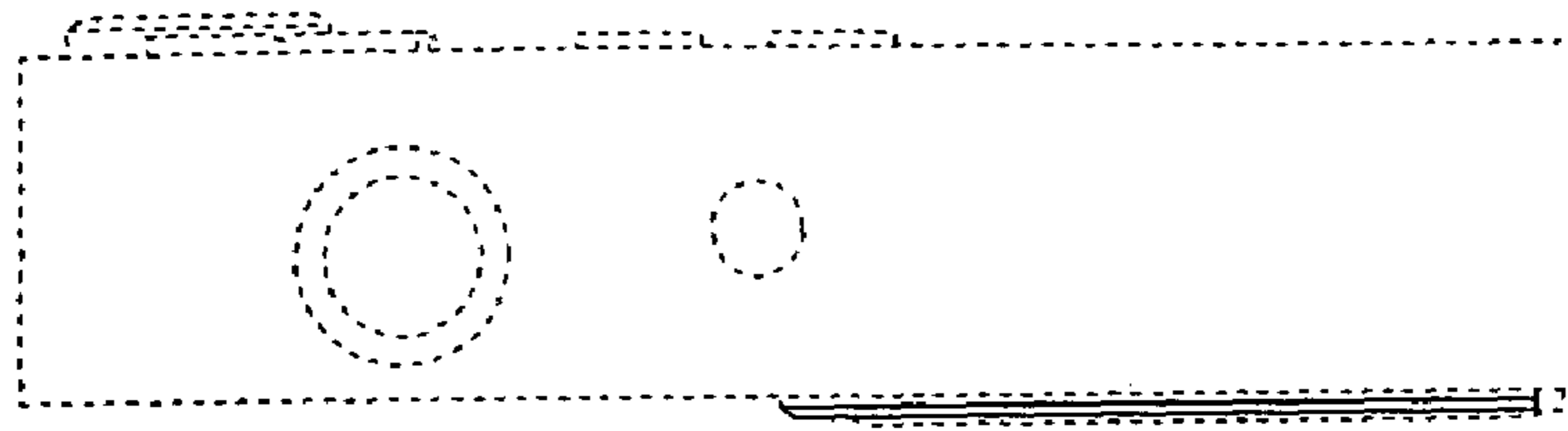


FIG. 5

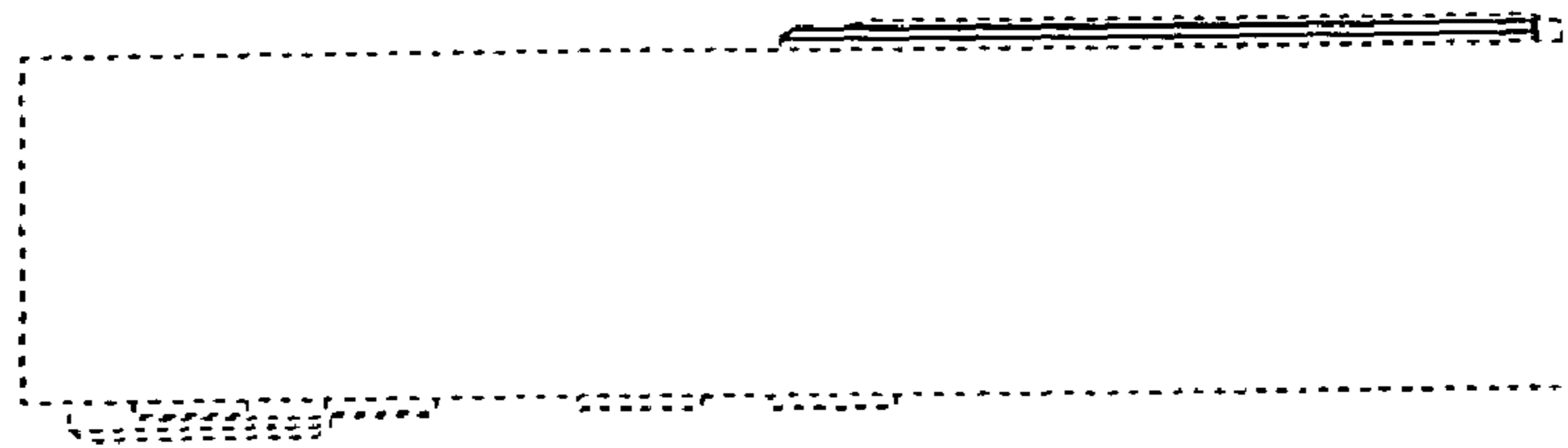


FIG. 6

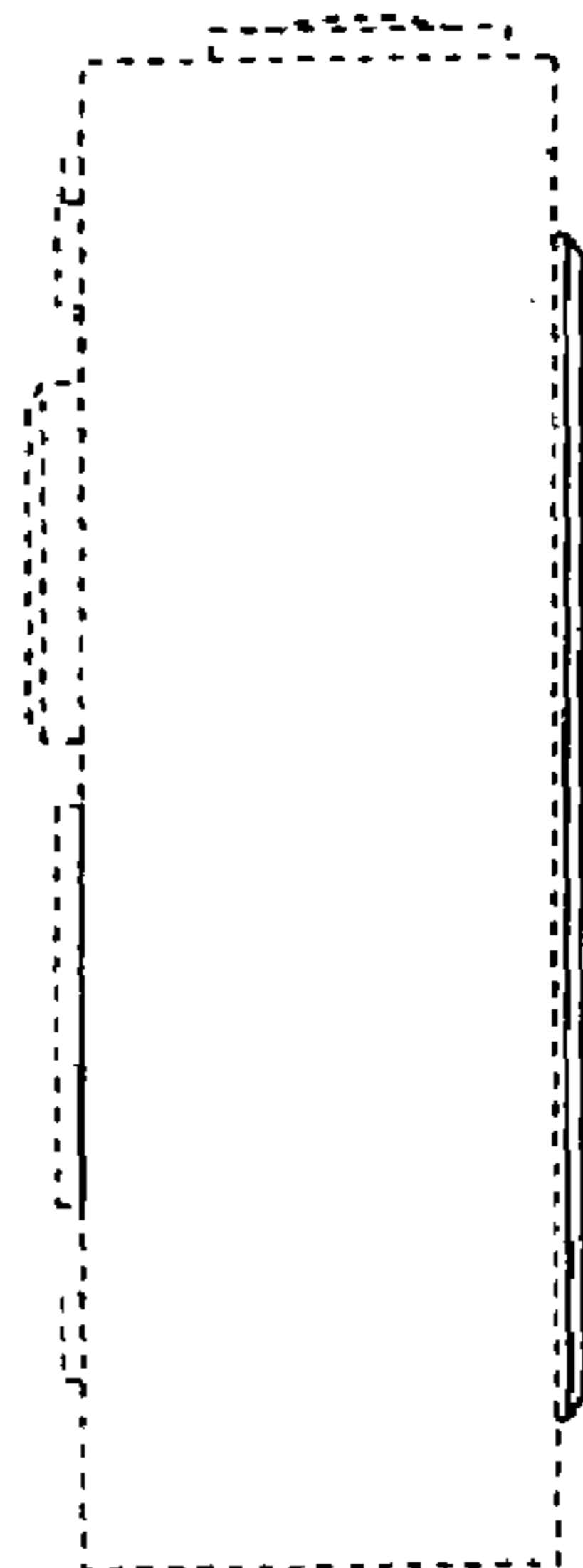


FIG. 7

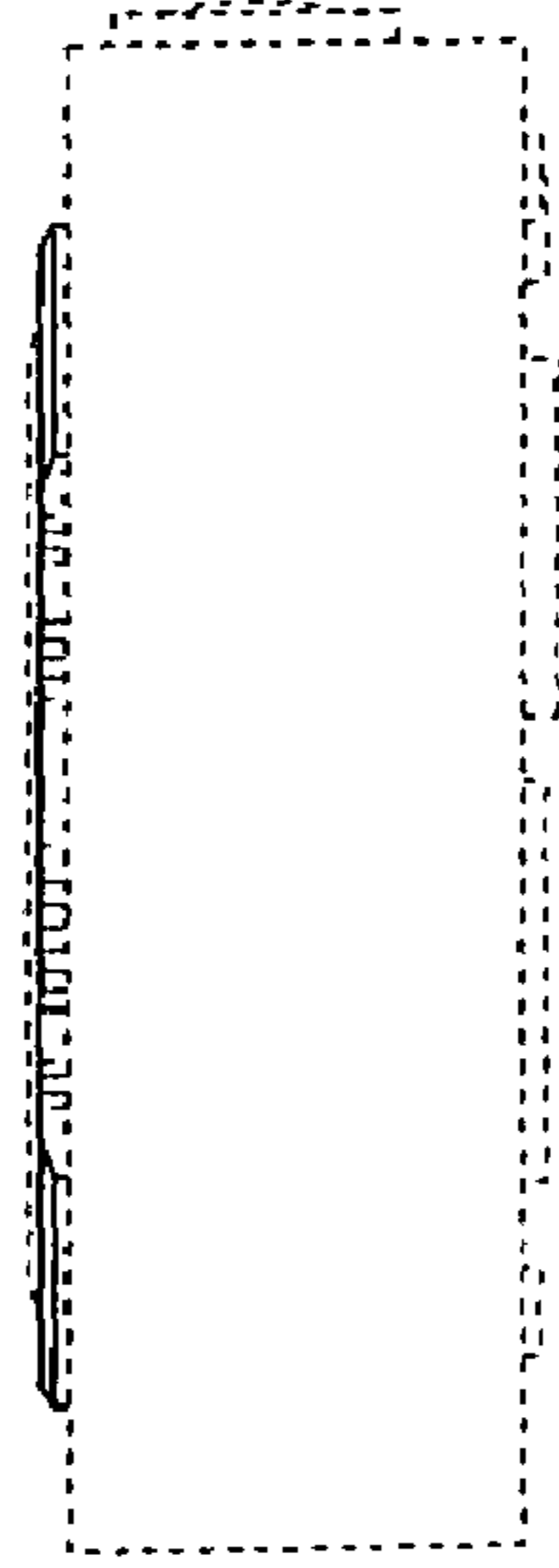


FIG. 8