



US00D572288S

(12) **United States Design Patent**  
**Neoh et al.**

(10) **Patent No.:** **US D572,288 S**  
(45) **Date of Patent:** **\*\* Jul. 1, 2008**

(54) **PAN-TILT CAMERA MODULE**

(75) Inventors: **Kenneth C. Neoh**, Grant Town, WV (US); **Joseph R. Mogyoros**, Fairmont, WV (US)

(73) Assignee: **Aplicare, Inc.**, Morgantown, WV (US)

(\*\*) Term: **14 Years**

(21) Appl. No.: **29/246,687**

(22) Filed: **May 3, 2006**

(51) **LOC (8) Cl.** ..... **16-01**

(52) **U.S. Cl.** ..... **D16/208**

(58) **Field of Classification Search** ..... D16/200–205,  
D16/208, 218, 237, 242–245; 348/143, 169,  
348/373–376, 211.9; 248/187.1, 918; 352/242–243;  
396/419, 427–428

See application file for complete search history.

(56) **References Cited**

**U.S. PATENT DOCUMENTS**

3,613,538	A *	10/1971	Horberg, Jr.	396/427
5,655,736	A *	8/1997	Kozloff et al.	248/187.1
5,855,343	A *	1/1999	Krekelberg	248/918
6,503,000	B1 *	1/2003	Kim	396/427
D474,489	S *	5/2003	Kawashima	D16/203
D500,511	S *	1/2005	Sybilrud	D16/203
6,880,987	B2 *	4/2005	Diana et al.	396/427
D536,719	S *	2/2007	Lukic et al.	D16/202
2004/0164505	A1 *	8/2004	Clemens et al.	280/6.154
2006/0104633	A1 *	5/2006	Kenoyer et al.	396/428
2006/0216019	A1 *	9/2006	Thompson	396/427

2006/0269278 A1\* 11/2006 Kenoyer et al. .... 396/428

**OTHER PUBLICATIONS**

“Bombot”, Azimuth, Inc., published at <http://www.bombot.net/bbwebsite/bombotbothome1.html>, (2006).

“What We Build”, Azimuth, Inc., published at <http://www.bombot.net/bbwebsite/bombotwhat.htm>, (2006).

“Pan Tilt Module”, Azimuth, Inc., published at <http://www.bombot.net/bbwebsite/Images/PTModule.pdf>, (2006).

Photograph, Azimuth, Inc., published at <http://www.bombot.net/bbwebsite/Images/Gallery/Glamour%20shot-med.jpg> (2006).

\* cited by examiner

*Primary Examiner*—Stella M. Reid

*Assistant Examiner*—Wan Laymon

(74) *Attorney, Agent, or Firm*—Dinsmore & Shohl LLP; Monika J Hussell

(57) **CLAIM**

The ornamental design for a pan-tilt camera module, as shown and described.

**DESCRIPTION**

FIG. 1 is a front perspective view of a pan-tilt camera module showing our new design;

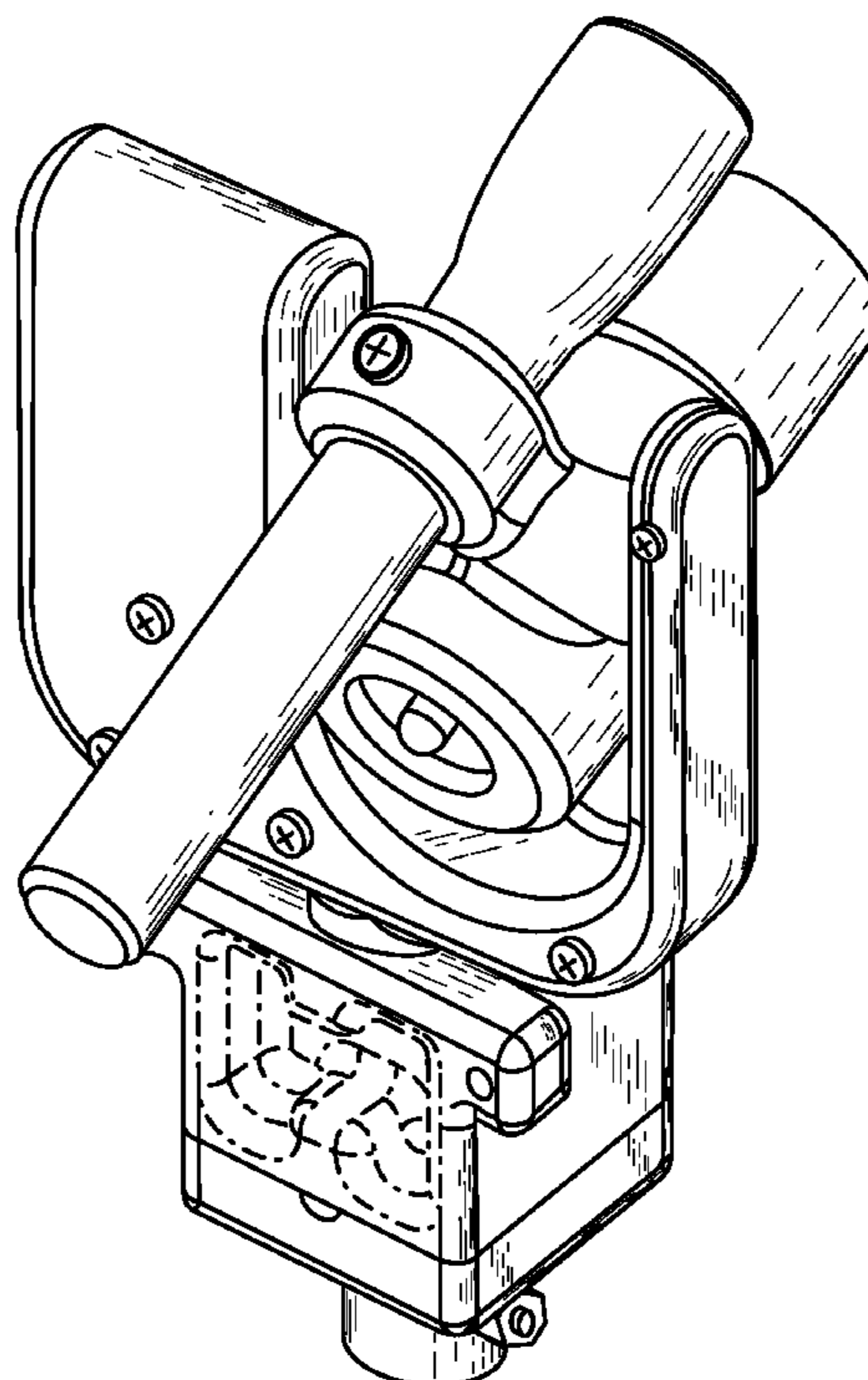
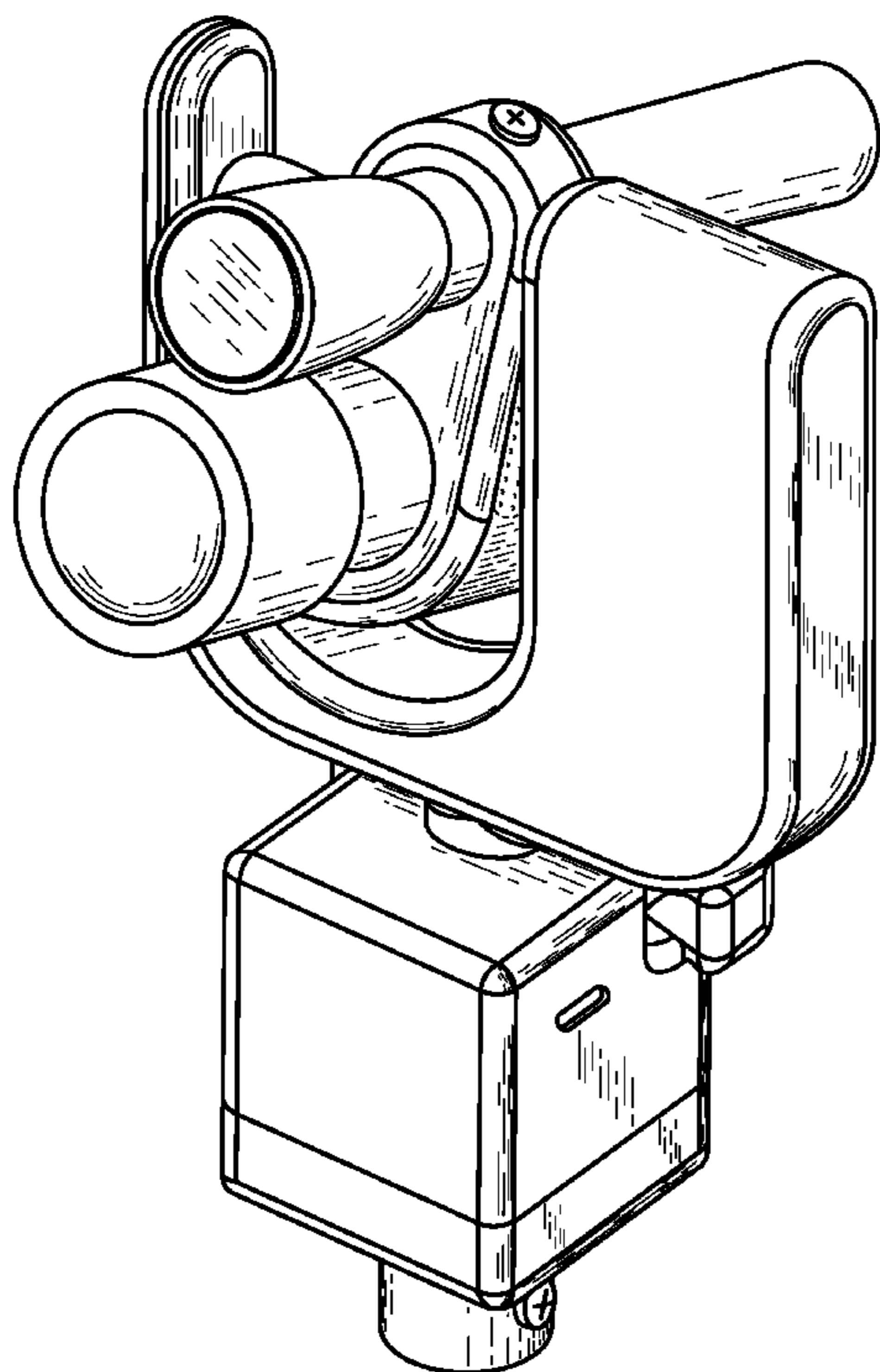
FIG. 2 is a rear perspective view thereof.

FIG. 3 is a side view thereof; and,

FIG. 4 is a front view thereof.

The broken lines in the Figures are for illustrative purposes only and form no part of the claimed design.

**1 Claim, 4 Drawing Sheets**



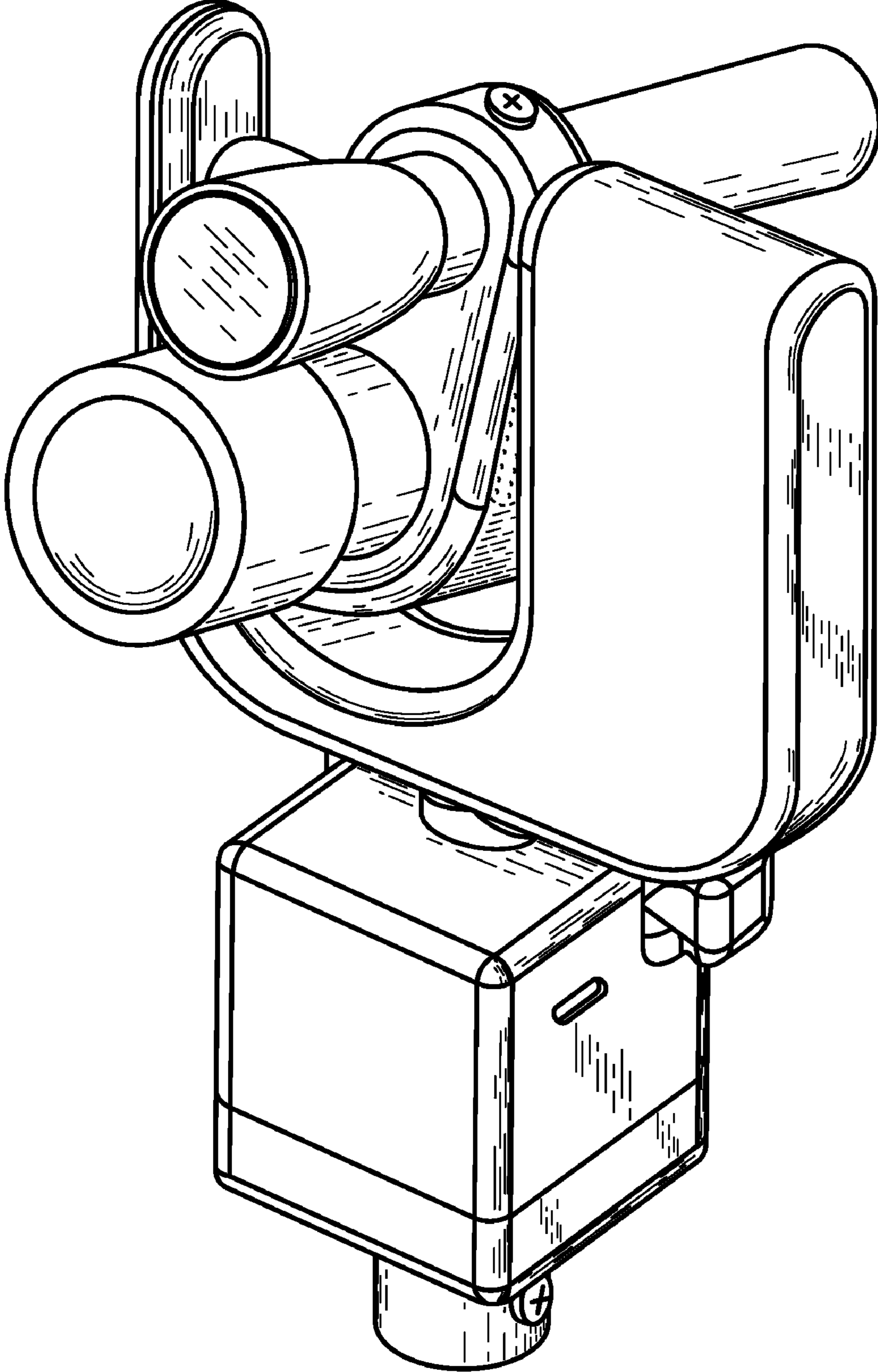


FIG. 1

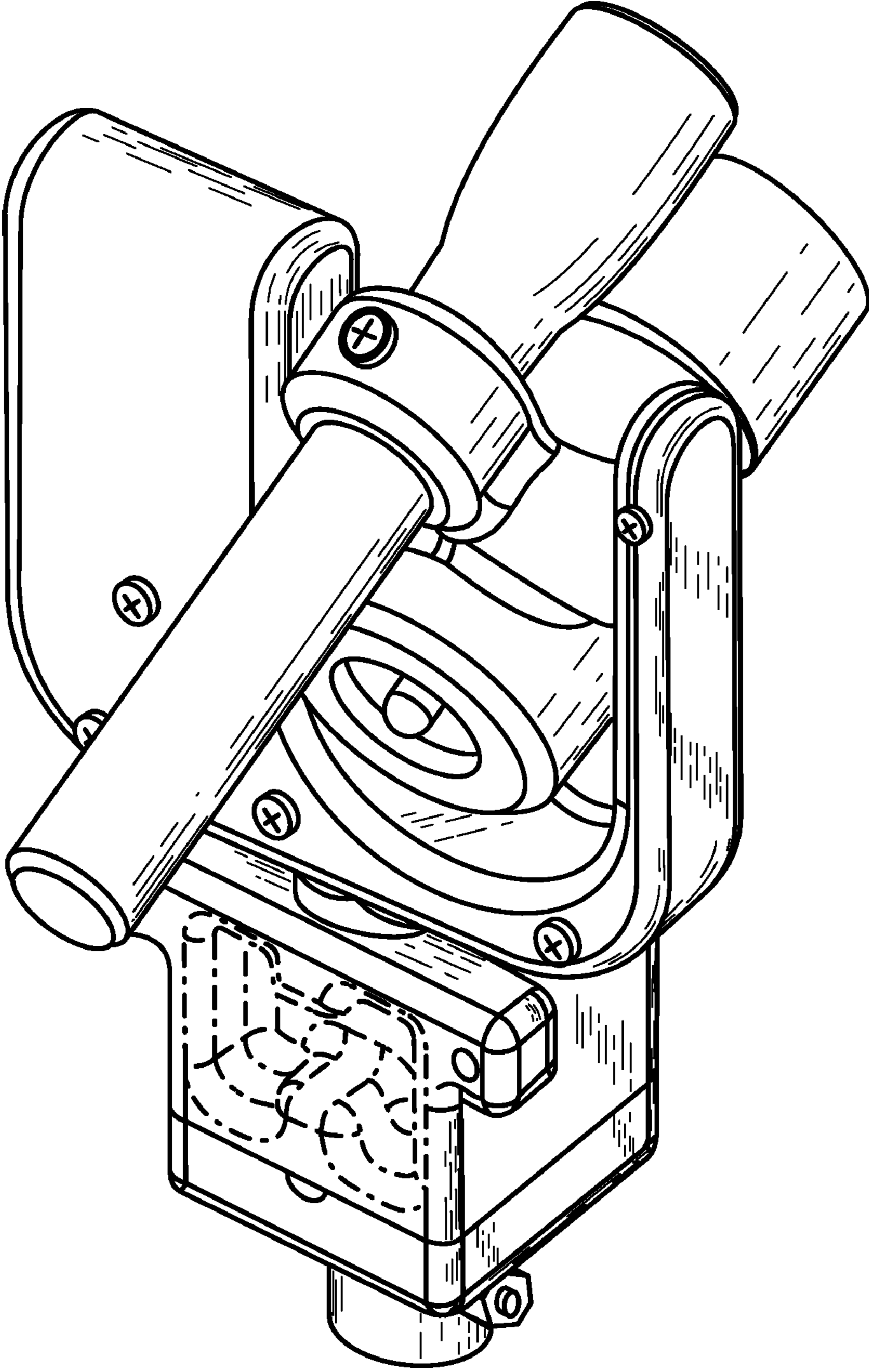


FIG. 2

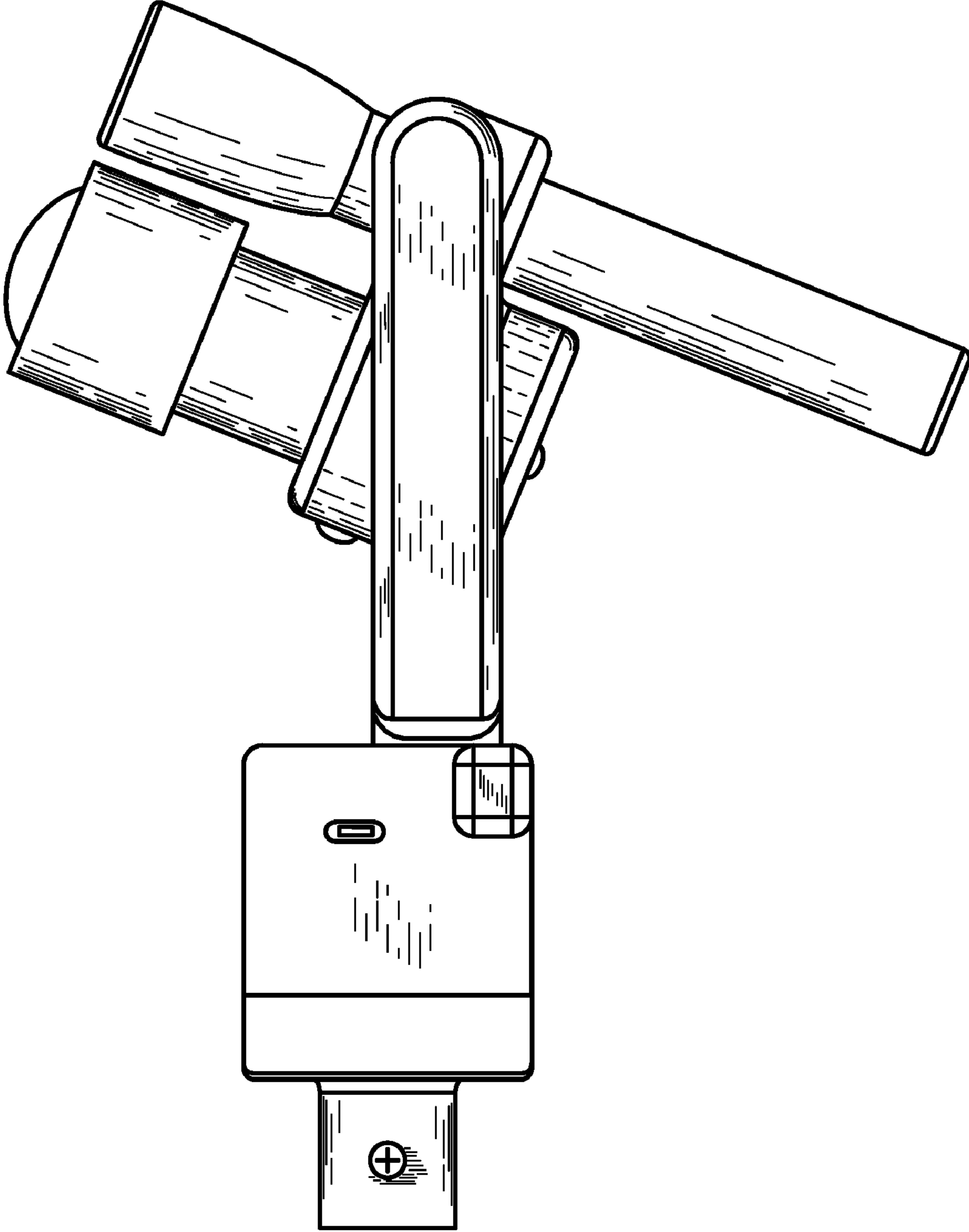


FIG. 3

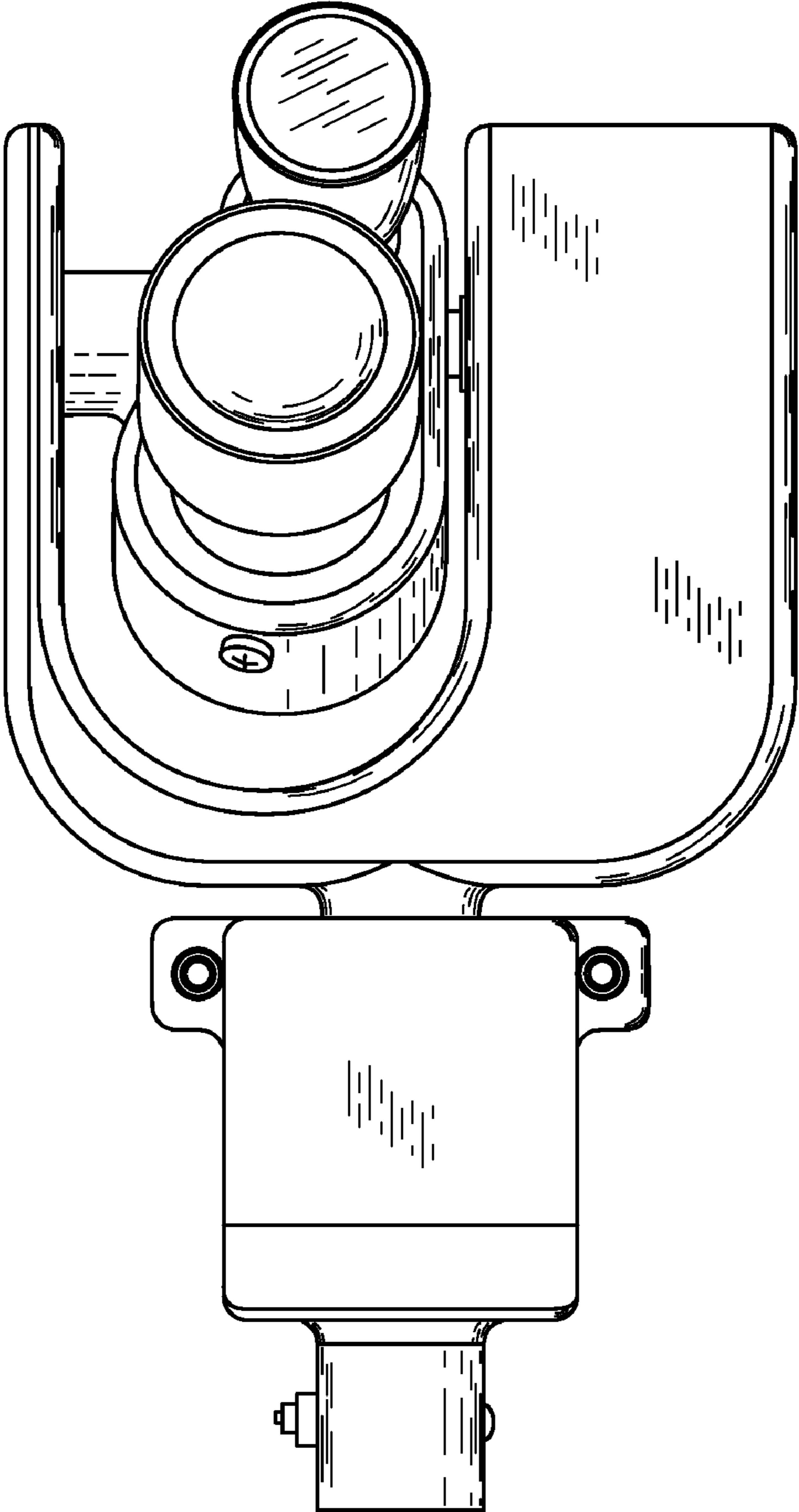


FIG. 4

UNITED STATES PATENT AND TRADEMARK OFFICE  
**CERTIFICATE OF CORRECTION**

PATENT NO. : Des. 572,288 S  
APPLICATION NO. : 29/246687  
DATED : July 1, 2008  
INVENTOR(S) : Neoh et al.

Page 1 of 2

It is certified that error appears in the above-identified patent and that said Letters Patent is hereby corrected as shown below:

Please delete Item (73) Assignee on the title page, and insert the attached title page with the new Item (73)

Signed and Sealed this

Twenty-second Day of December, 2009

A handwritten signature in black ink that reads "David J. Kappos". The signature is written in a cursive style with a large initial 'D' and 'K'.

David J. Kappos  
*Director of the United States Patent and Trademark Office*

(12) **United States Design Patent**  
**Neoh et al.**

(10) **Patent No.:** **US D572,288 S**  
(45) **Date of Patent:** **\*\* Jul. 1, 2008**

(54) **PAN-TILT CAMERA MODULE**

2006/0269278 A1\* 11/2006 Kenoyer et al. .... 396/428

(75) Inventors: **Kenneth C. Neoh**, Grant Town, WV (US); **Joseph R. Mogyoros**, Fairmont, WV (US)

(73) Assignee: **Azimuth, Inc.**, Morgantown, WV (US)

(\*\*) Term: **14 Years**

(21) Appl. No.: **29/246,687**

(22) Filed: **May 3, 2006**

(51) **LOC (8) Cl.** ..... **16-01**

(52) **U.S. Cl.** ..... **D16/208**

(58) **Field of Classification Search** ..... D16/200-205, D16/208, 218, 237, 242-245; 348/143, 169, 348/373-376, 211.9; 248/187.1, 918; 352/242-243; 396/419, 427-428

See application file for complete search history.

(56) **References Cited**

**U.S. PATENT DOCUMENTS**

3,613,538 A *	10/1971	Horberg, Jr.	396/427
5,655,736 A *	8/1997	Kozloff et al.	248/187.1
5,855,343 A *	1/1999	Krekelberg	248/918
6,503,000 B1 *	1/2003	Kim	396/427
D474,489 S *	5/2003	Kawashima	D16/203
D500,511 S *	1/2005	Sybilrud	D16/203
6,880,987 B2 *	4/2005	Diana et al.	396/427
D536,719 S *	2/2007	Lukic et al.	D16/202
2004/0164505 A1 *	8/2004	Clemens et al.	280/6.154
2006/0104633 A1 *	5/2006	Kenoyer et al.	396/428
2006/0216019 A1 *	9/2006	Thompson	396/427

**OTHER PUBLICATIONS**

"Bombot", Azimuth, Inc., published at <http://www.bombot.net/bbwebsite/bombothome1.html>, (2006).

"What We Build", Azimuth, Inc., published at <http://www.bombot.net/bbwebsite/bomborwhat.htm>, (2006).

"Pan Tilt Module", Azimuth, Inc., published at <http://www.bombot.net/bbwebsite/Images/PTModule.pdf>, (2006).

Photograph, Azimuth, Inc., published at <http://www.bombot.net/bbwebsite/Images/Gallery/Glamour%20shot-med.jpg> (2006).

\* cited by examiner

*Primary Examiner*—Stella M. Reid

*Assistant Examiner* Wan Laymon

(74) *Attorney, Agent, or Firm* Dinsmore & Shohl LLP; Monika J Hussell

(57) **CLAIM**

The ornamental design for a pan-tilt camera module, as shown and described.

**DESCRIPTION**

FIG. 1 is a front perspective view of a pan-tilt camera module showing our new design;

FIG. 2 is a rear perspective view thereof.

FIG. 3 is a side view thereof; and,

FIG. 4 is a front view thereof.

The broken lines in the Figures are for illustrative purposes only and form no part of the claimed design.

**1 Claim, 4 Drawing Sheets**

