



US00D572283S

(12) **United States Design Patent**
Kerrod et al.

(10) **Patent No.:** **US D572,283 S**
(45) **Date of Patent:** **** Jul. 1, 2008**

(54) **APPARATUS FOR DEPOSITING CELL SAMPLES ON MICROSCOPIC SLIDE**

(76) Inventors: **Ian Kerrod**, 3 Fielding Close,
Hawarden, Flintshire (GB) CH5 3UO;
Peter Lomas, 57 Rosefield Avenue,
Bebington, Wirral (GB) CH63 5JN

(**) Term: **14 Years**

(21) Appl. No.: **29/221,756**

(22) Filed: **Jan. 19, 2005**

Related U.S. Application Data

(63) Continuation-in-part of application No. 29/196,265,
filed on Dec. 22, 2003, now Pat. No. Des. 502,953.

(30) **Foreign Application Priority Data**

Jul. 7, 2003 (EP) 51370

(51) **LOC (8) Cl.** **16-01**

(52) **U.S. Cl.** **D16/131; D16/130; D24/224**

(58) **Field of Classification Search** D16/130,
D16/131; D24/219, 224, 232, 226, 150,
D24/118, 120, 121, 172, 216, 113, 115, 231;
73/863.21, 863.23; 250/256; D10/81; 215/391;
435/288.2; 604/294; 356/246
See application file for complete search history.

(56) **References Cited**

U.S. PATENT DOCUMENTS

3,589,983 A * 6/1971 Holderith et al. 435/288.2
4,227,810 A * 10/1980 Sandroock et al. 356/246

D283,728 S * 5/1986 Aihara D24/224
D311,876 S * 11/1990 Kiegami D24/224
D343,905 S * 2/1994 Nagata et al. D24/224
6,634,243 B1 * 10/2003 Wickstead et al. 73/863.23
D502,953 S * 3/2005 Kerrod et al. D16/131
7,159,474 B2 * 1/2007 Arabian et al. 73/863.23

* cited by examiner

Primary Examiner—Paula A Greene

(74) *Attorney, Agent, or Firm*—Clifford A. Poff

(57) **CLAIM**

The ornament design for a design for apparatus for depositing cell samples on microscopic slide, as show and described.

DESCRIPTION

FIG. 1 is a front perspective view from a left side of an apparatus for depositing cell samples on microscopic slide showing our design,

FIG. 2 is a front elevational view of the apparatus for depositing cell samples on microscopic slide shown in FIG. 1,

FIG. 3 is a right side view thereof,

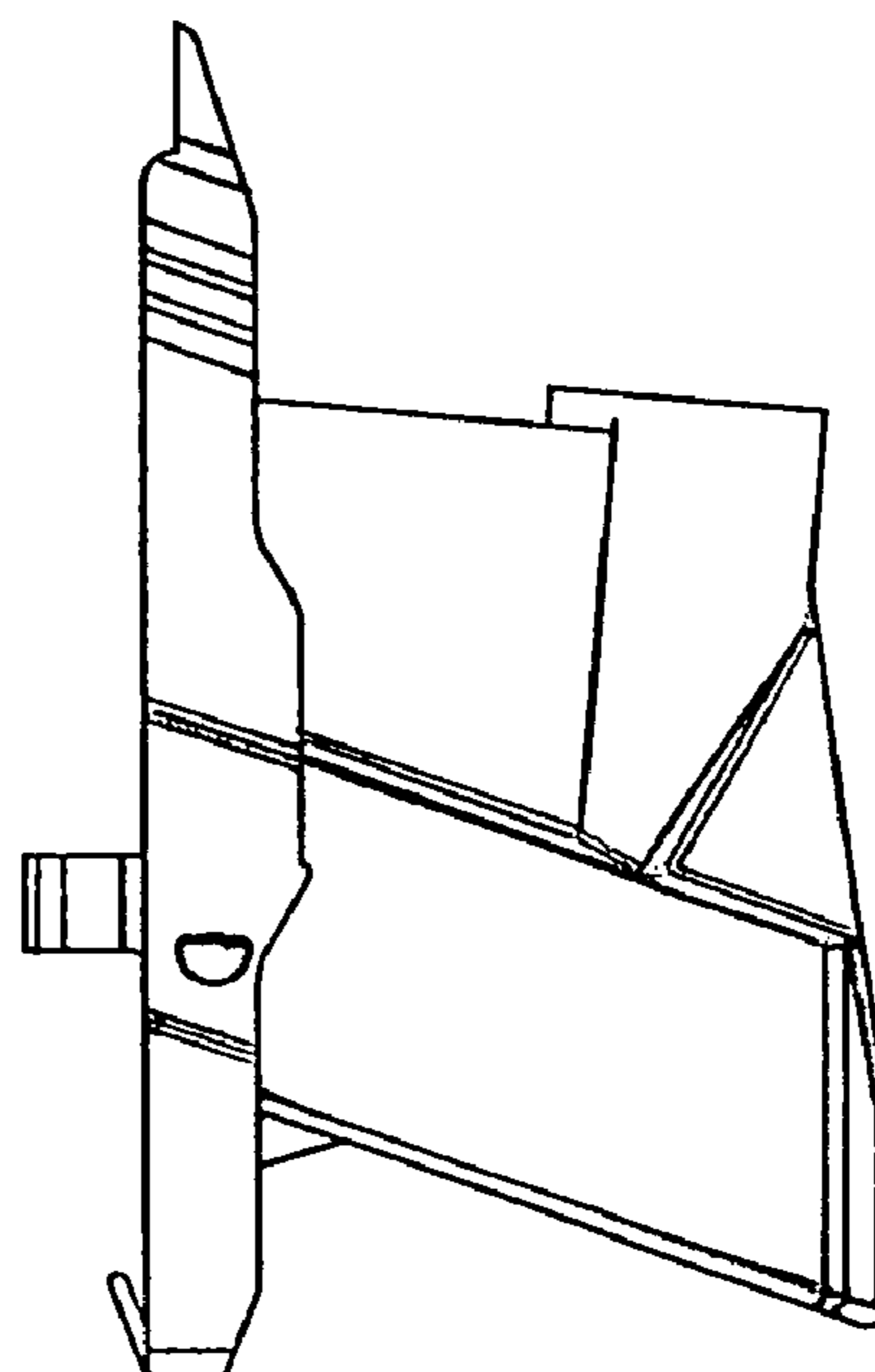
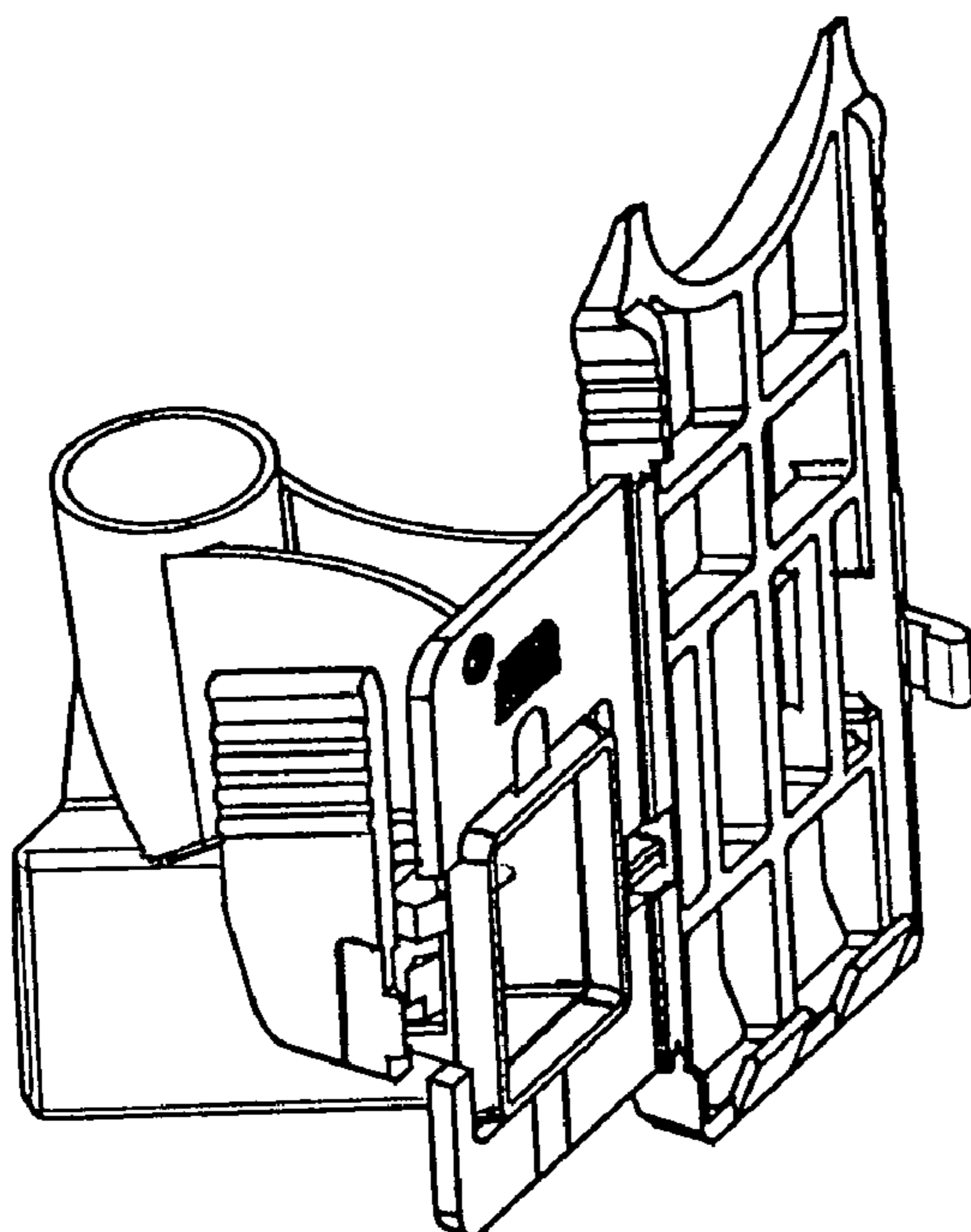
FIG. 4 is a left side view thereof,

FIG. 5 is a top plan view thereof,

FIG. 6 is a bottom plan thereof; and,

FIG. 7 is a rear elevation view thereof.

1 Claim, 4 Drawing Sheets



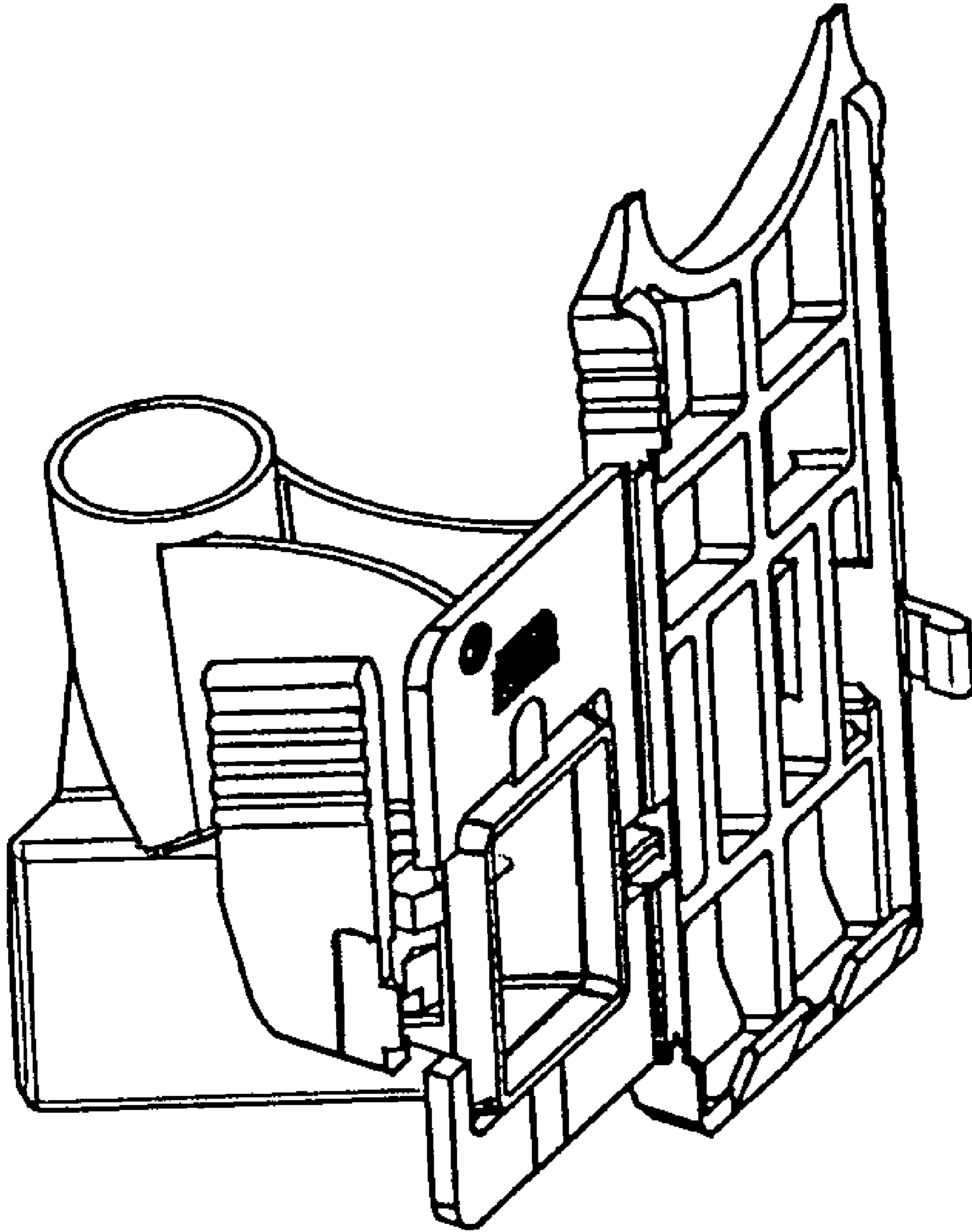


Figure 1

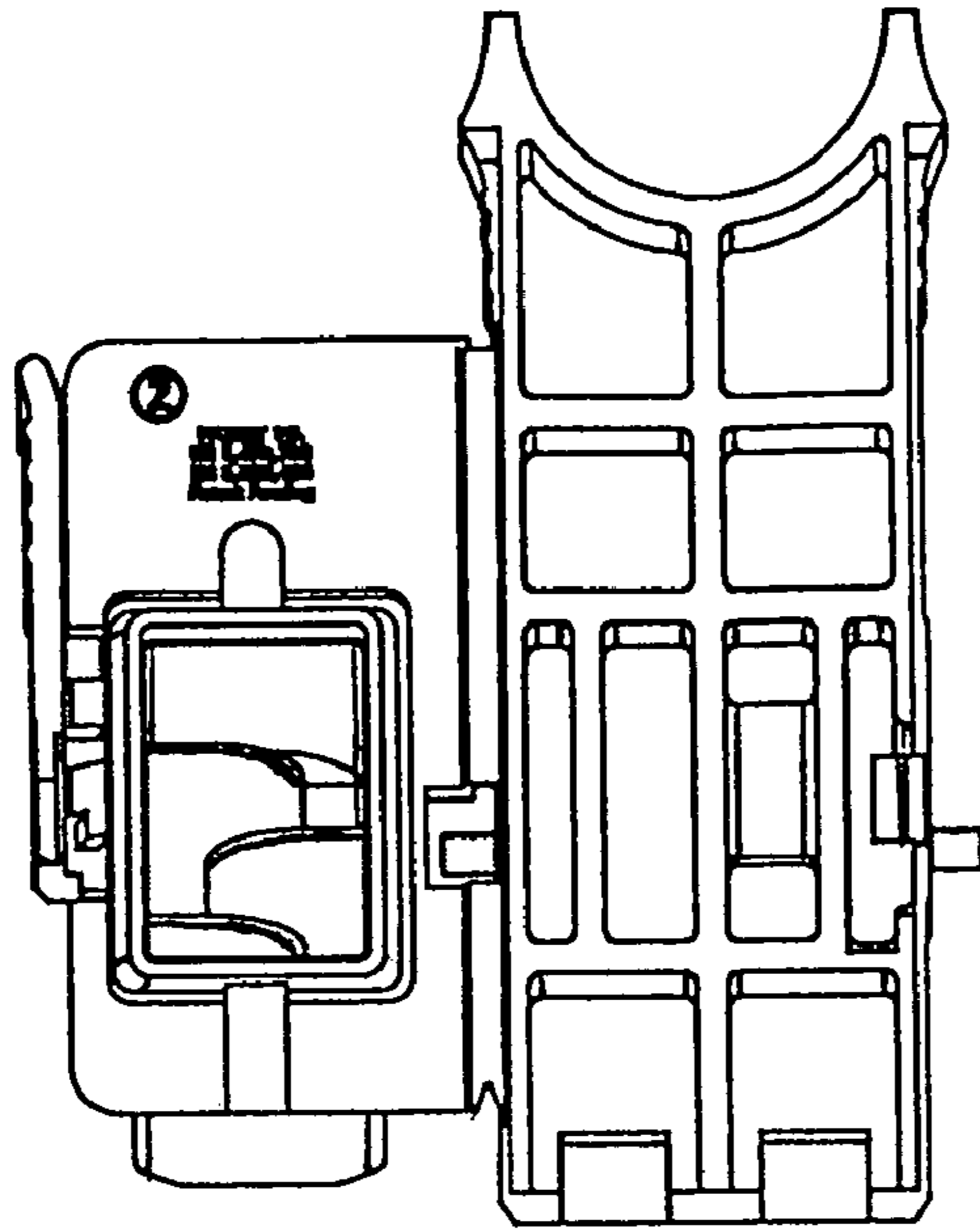


Figure 2

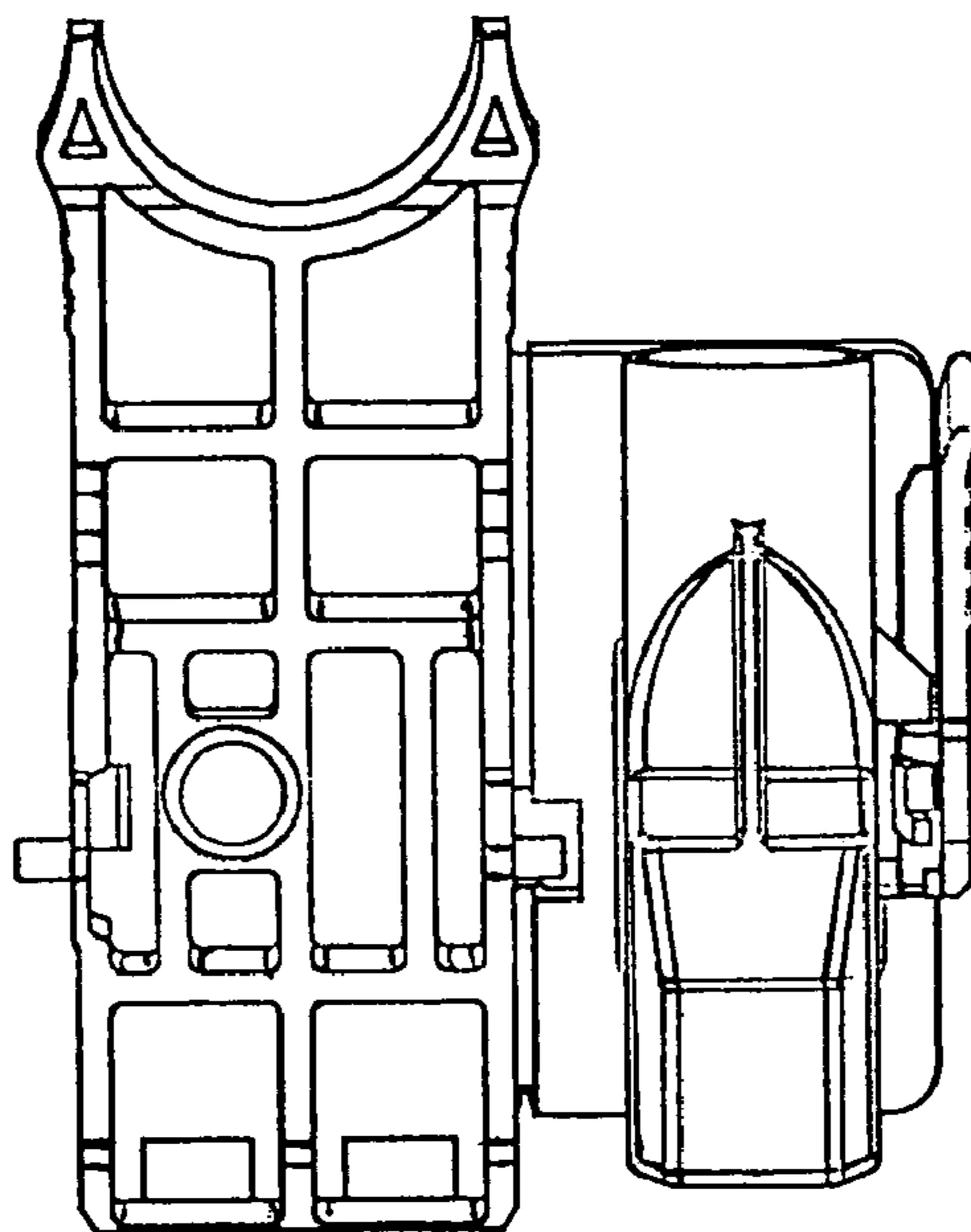


Figure 7

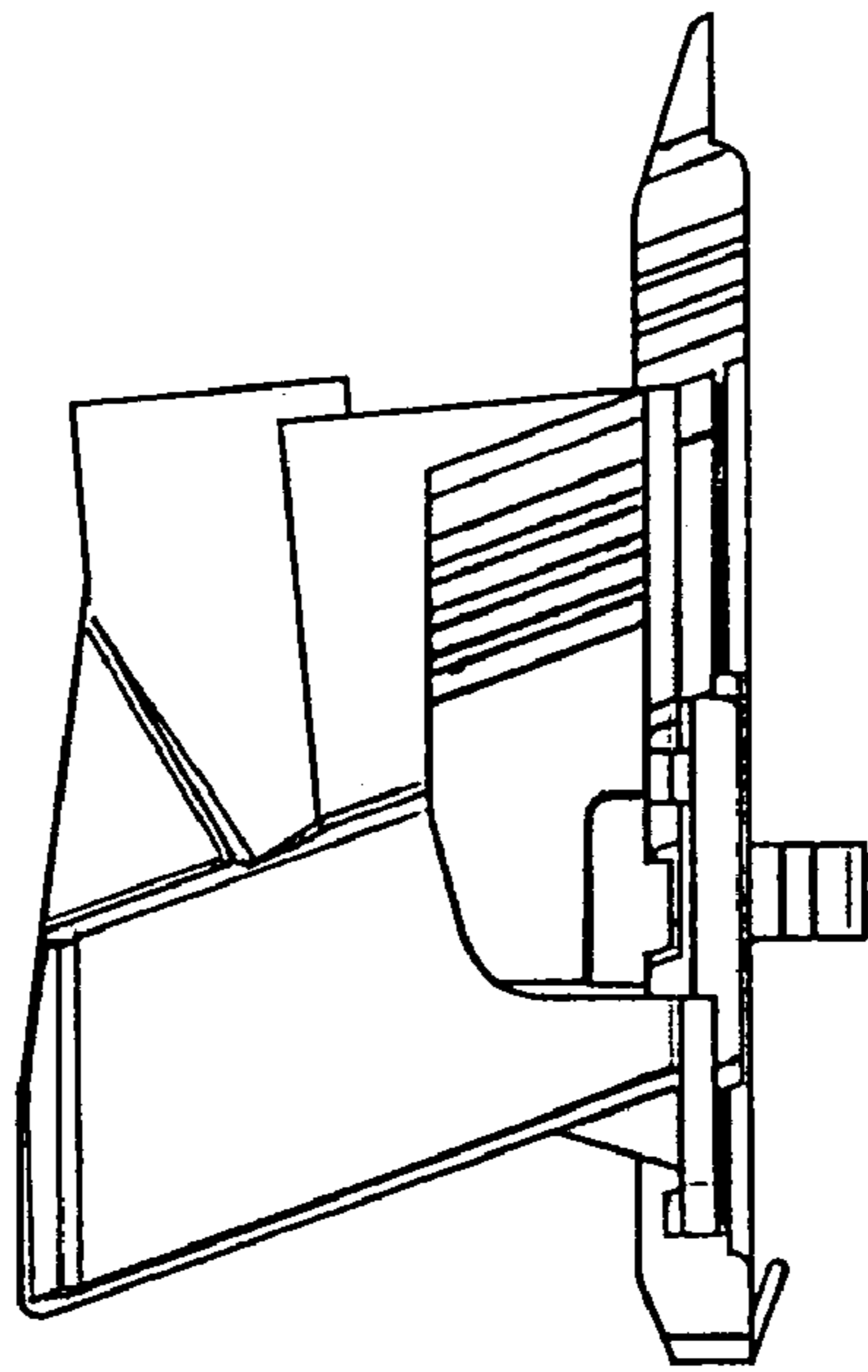


Figure 4

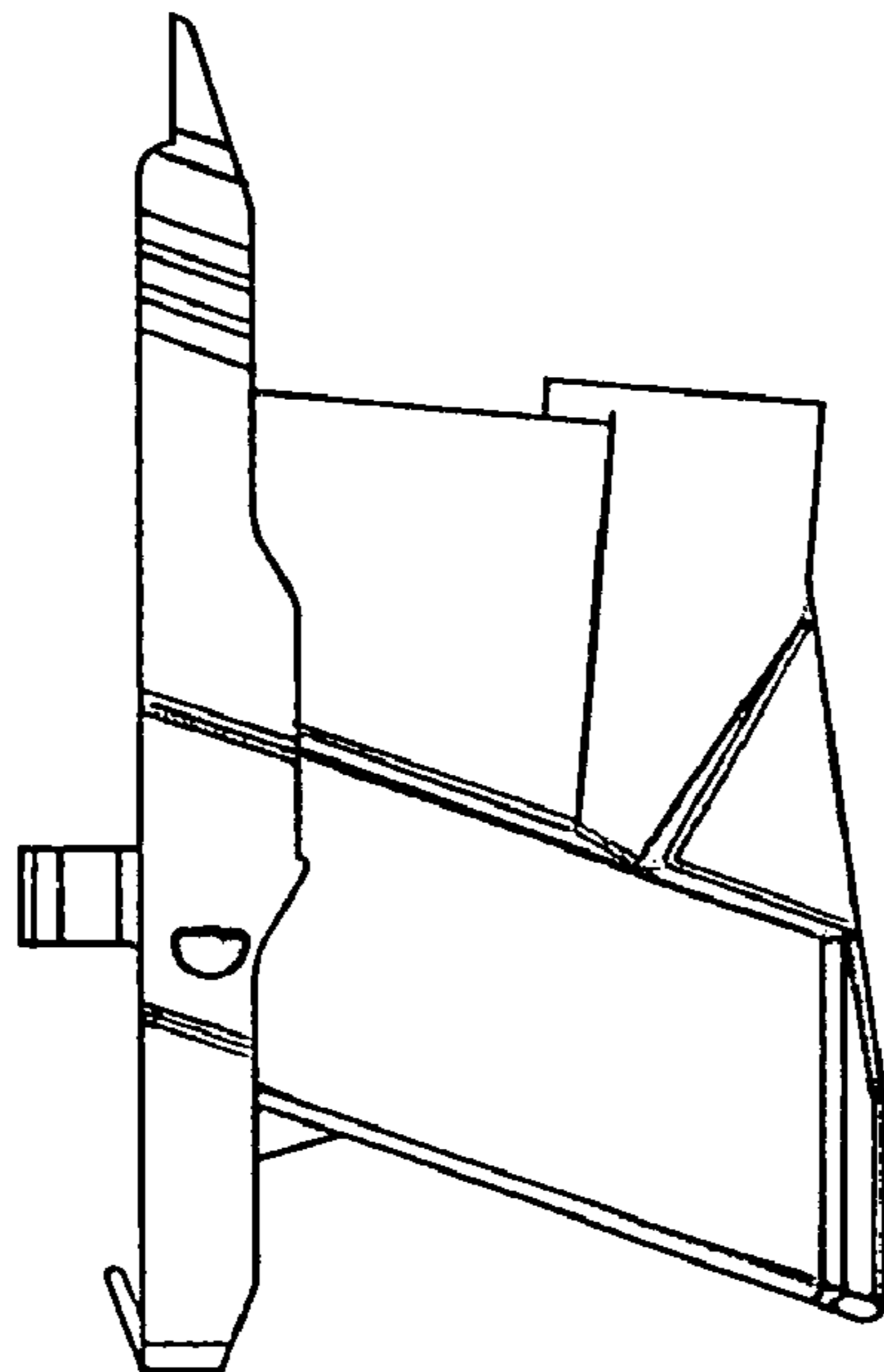


Figure 3

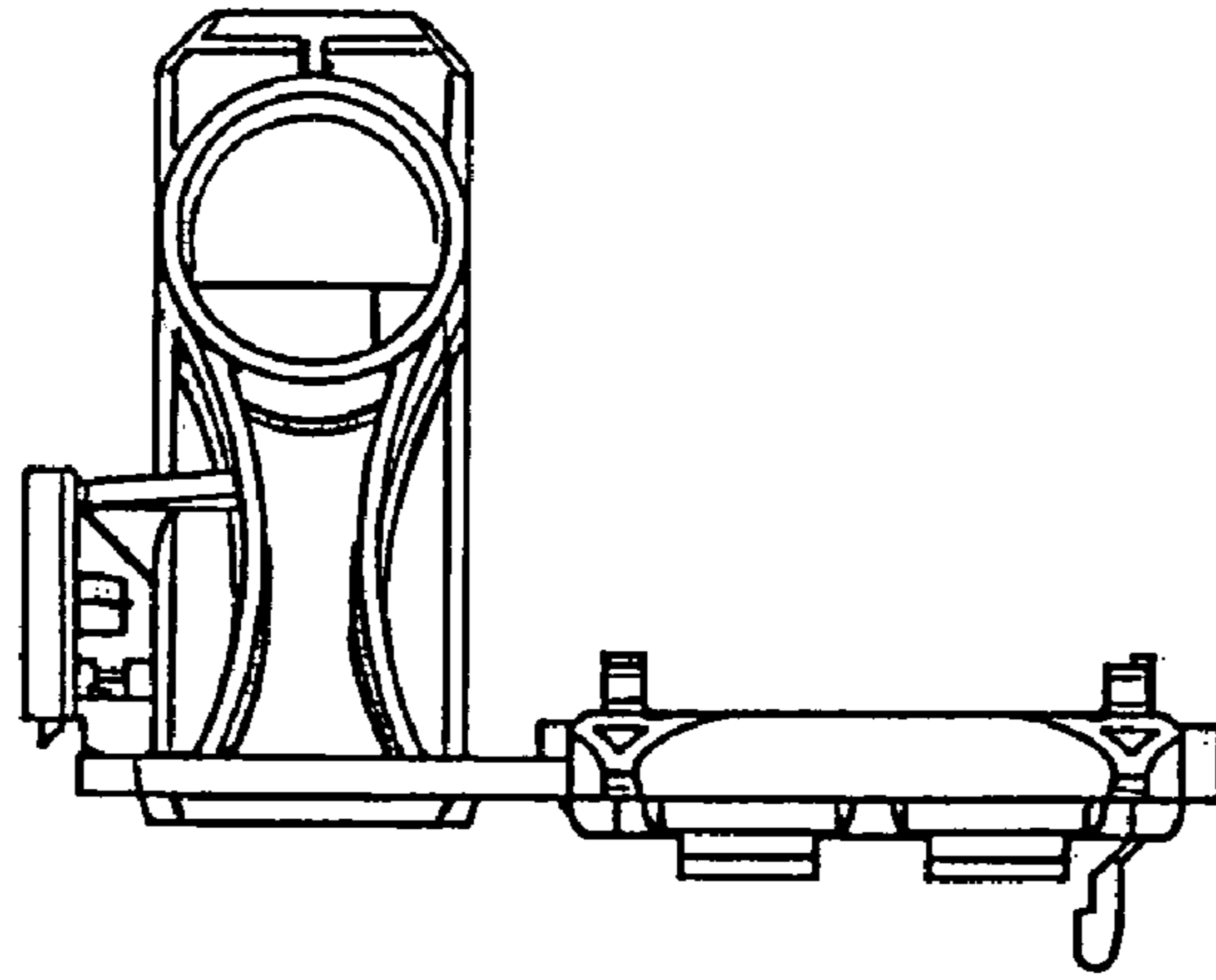


Figure 5

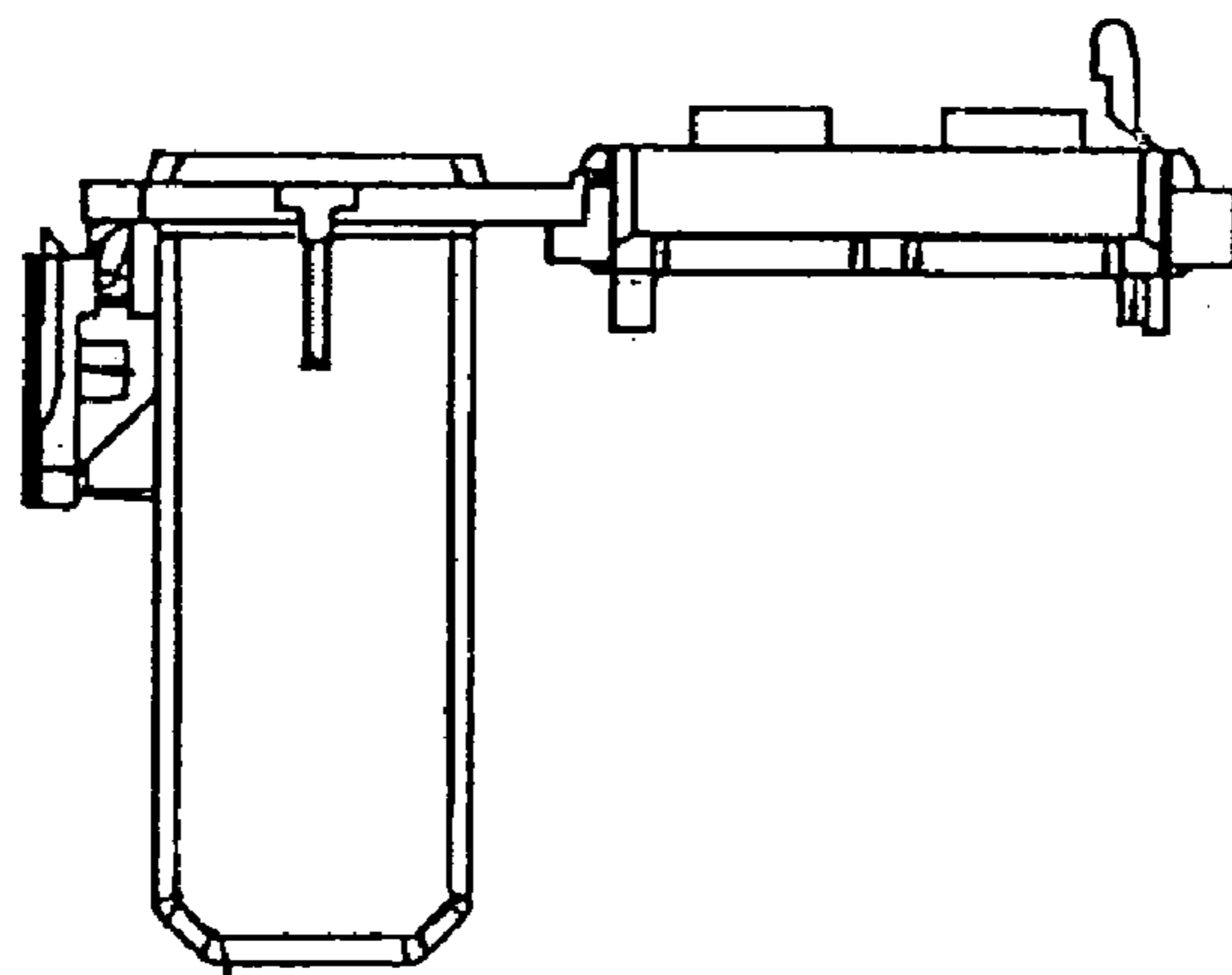


Figure 6