

US00D572281S

(12) **United States Design Patent**
Wei et al.

(10) **Patent No.:** **US D572,281 S**
(45) **Date of Patent:** **** Jul. 1, 2008**

(54) **LINEAR ACTUATOR**

(75) Inventors: **Chia-Chun Wei**, Taichung (TW);
Yu-Jian Lin, Taichung (TW)

(73) Assignee: **Hiwin Mikrosystem Corp.**, Taichung
(TW)

(**) Term: **14 Years**

(21) Appl. No.: **29/275,371**

(22) Filed: **Dec. 21, 2006**

(51) **LOC (8) Cl.** **15-09**

(52) **U.S. Cl.** **D15/143**

(58) **Field of Classification Search** D15/5,
D15/143, 148, 199; D23/233; 74/89.15,
74/490.09; 310/20, 80; 319/80; 414/560-569
See application file for complete search history.

(56) **References Cited**

U.S. PATENT DOCUMENTS

D289,164	S	*	4/1987	Carr	D14/231
5,617,772	A	*	4/1997	Hosono et al.	92/117 A
D400,967	S	*	11/1998	Schreiner et al.	D23/233
D414,545	S	*	9/1999	Hayashi et al.	D23/233
D422,340	S	*	4/2000	Hayashi et al.	D23/233
D434,054	S	*	11/2000	Luke	D15/199
D439,312	S	*	3/2001	Fukano	D23/233
D453,347	S	*	2/2002	Kaneko et al.	D15/143
D465,797	S	*	11/2002	Landerholm et al.	D15/143
6,476,525	B2	*	11/2002	Sato et al.	310/20
D467,950	S	*	12/2002	Christensen et al.	D15/199
D494,659	S	*	8/2004	Marinoni et al.	D15/143

6,781,265	B2	*	8/2004	Hayashida et al.	310/80
D513,022	S	*	12/2005	Moe	D15/148
D545,944	S	*	7/2007	Miyazoe	D23/233
D554,164	S	*	10/2007	Naruse et al.	D15/143
2004/0255705	A1	*	12/2004	Sullivan	74/89.33
2005/0001491	A1	*	1/2005	Fujiwara et al.	310/12
2008/0024015	A1	*	1/2008	Tanioka et al.	310/14

* cited by examiner

Primary Examiner—Sandra Snapp

Assistant Examiner—Patricia Palasik

(74) *Attorney, Agent, or Firm*—Banger Shia

(57) **CLAIM**

The ornamental design for a linear actuator, as shown and described.

DESCRIPTION

FIG. 1 is a perspective view of a linear actuator showing our new design;

FIG. 2 is a front elevational view thereof;

FIG. 3 is a rear elevational view thereof,

FIG. 4 is a left side elevational view thereof,

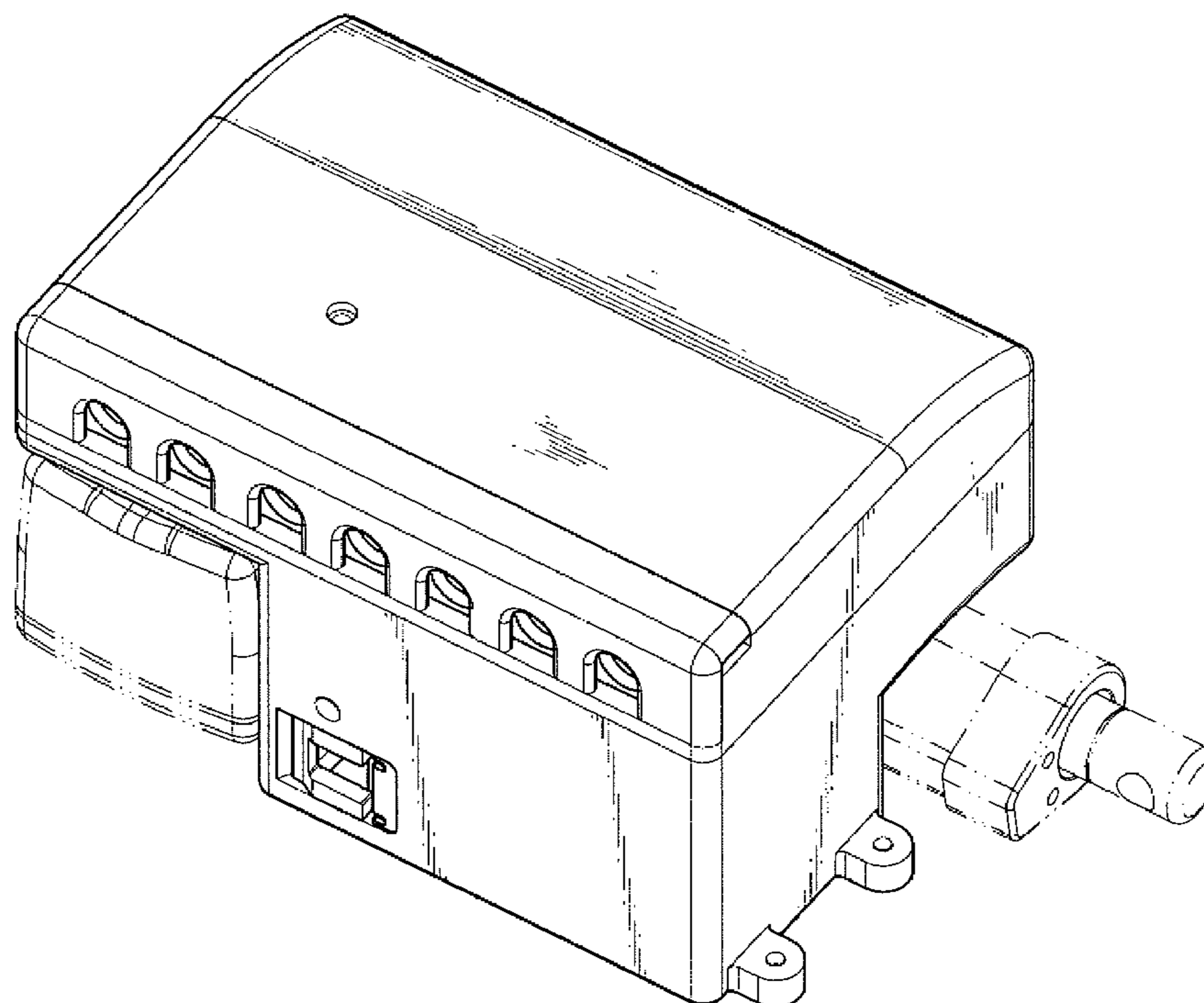
FIG. 5 is a right side elevational view thereof,

FIG. 6 is a top plan view thereof; and

FIG. 7 is a bottom plan view to that shown; and,

FIG. 8 is a perspective view of a linear actuator, the broken lines shown are for illustrative purposes only and from no part of the claimed design.

1 Claim, 7 Drawing Sheets



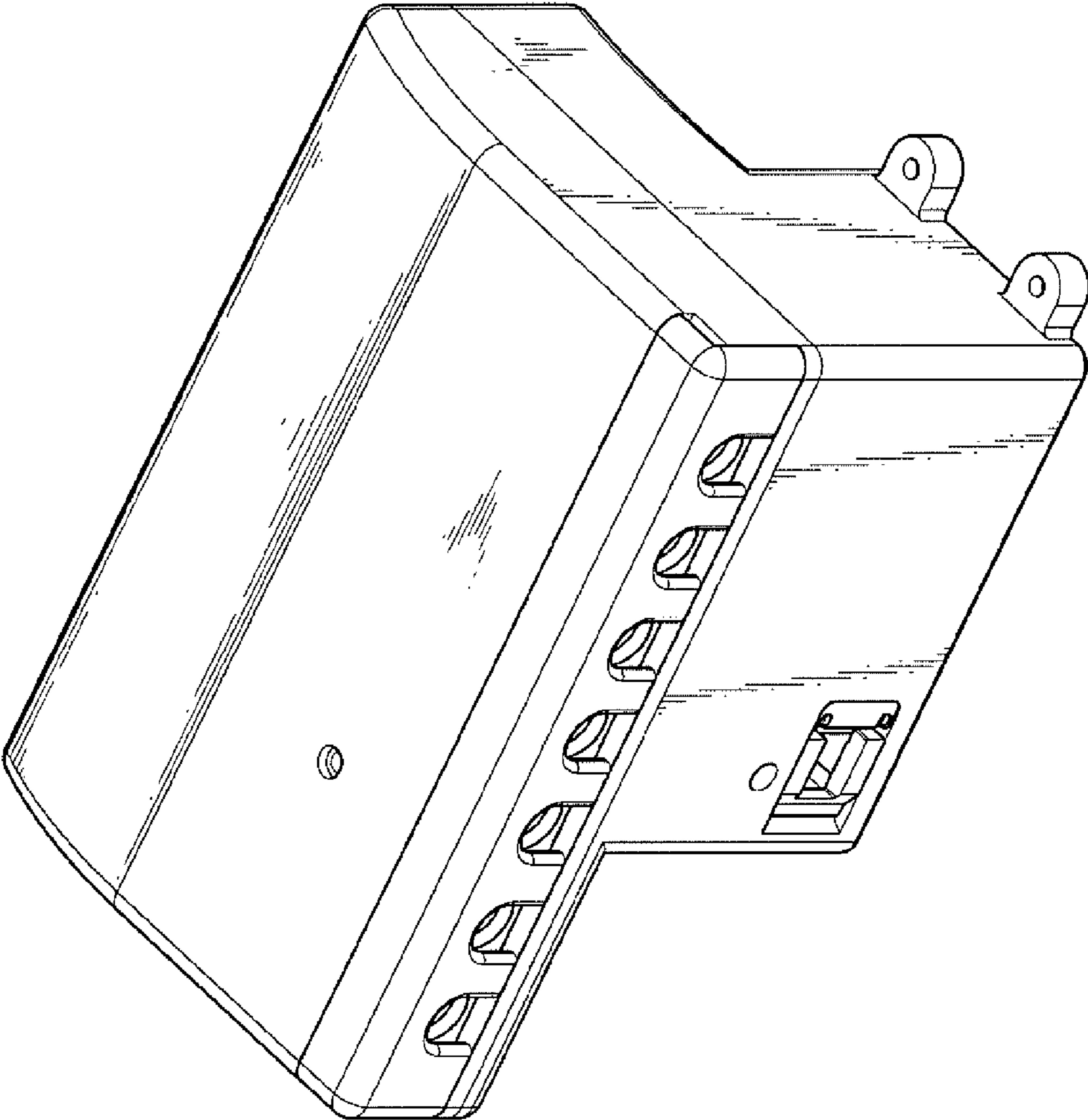


FIG. 1

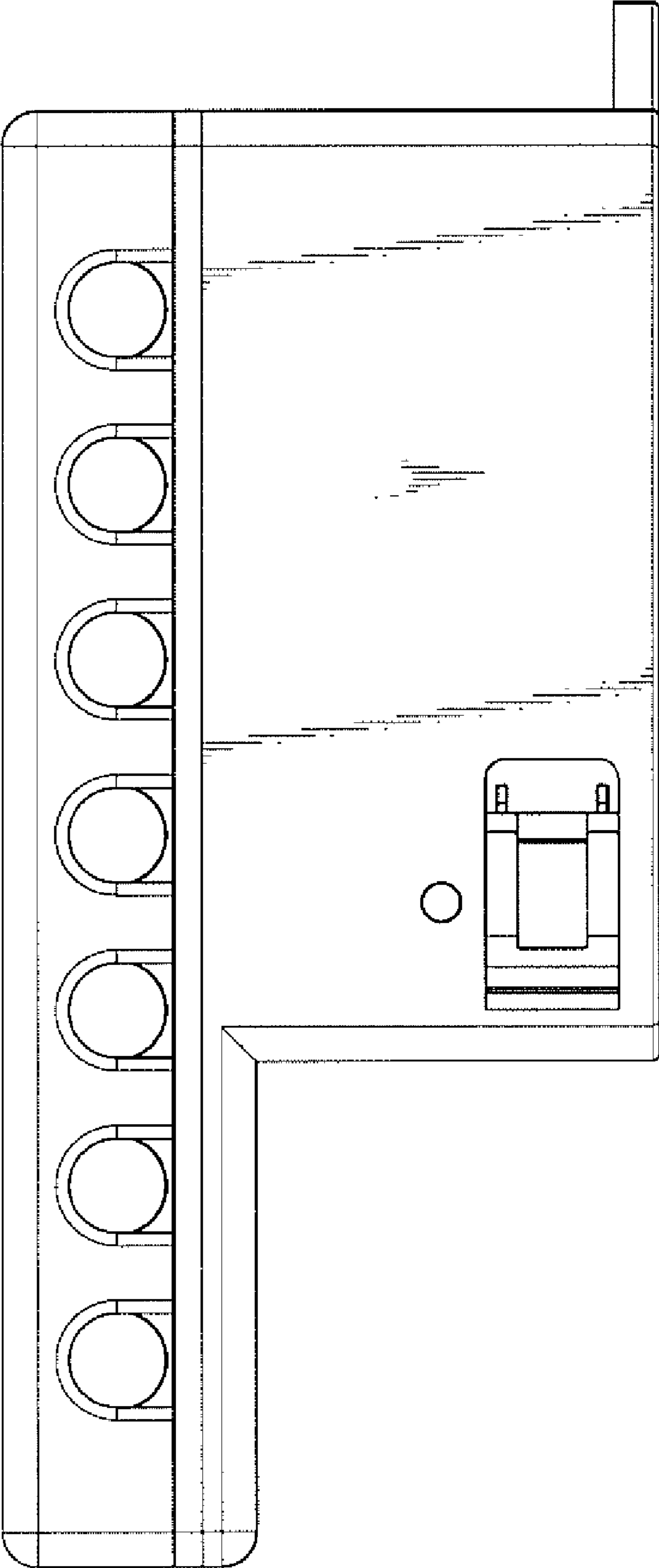


FIG. 2

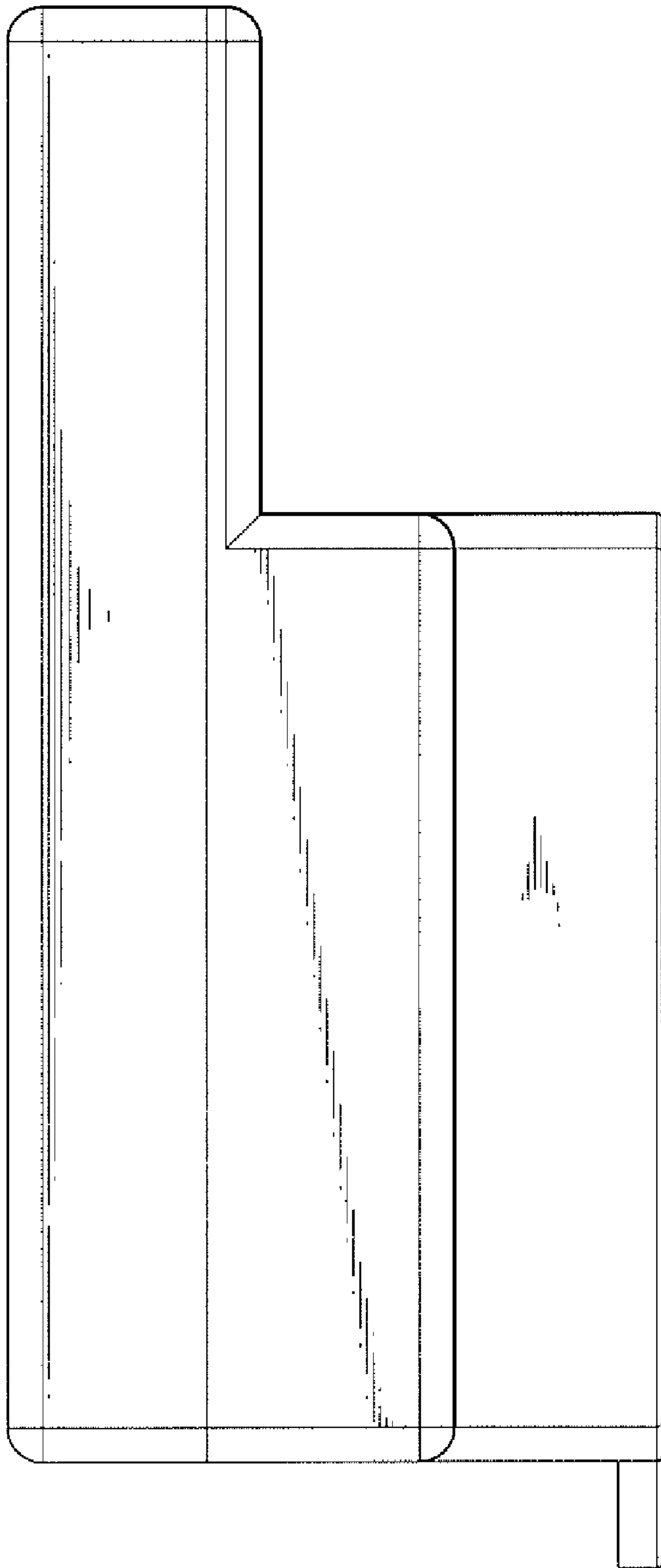


FIG. 3

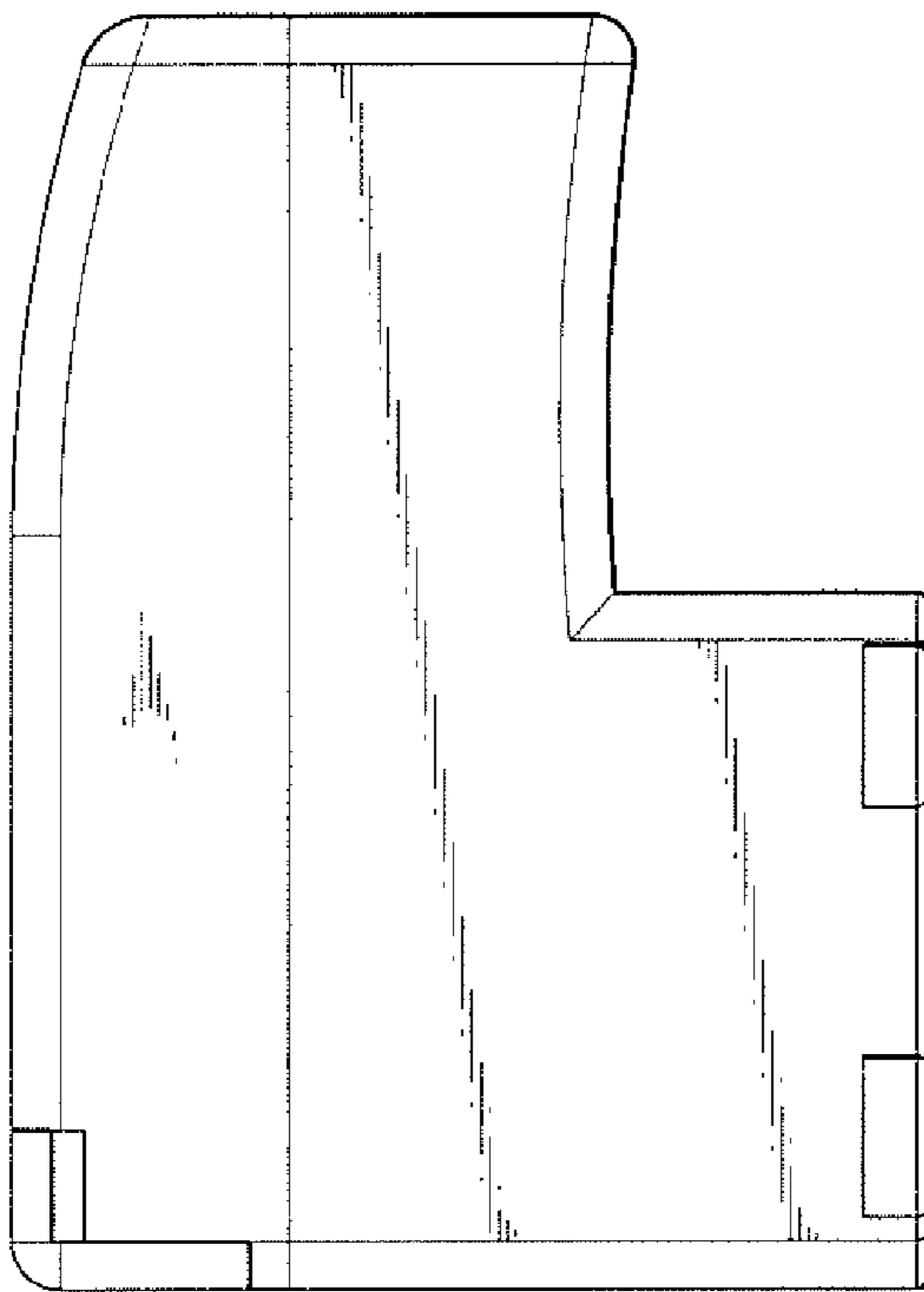


FIG. 5

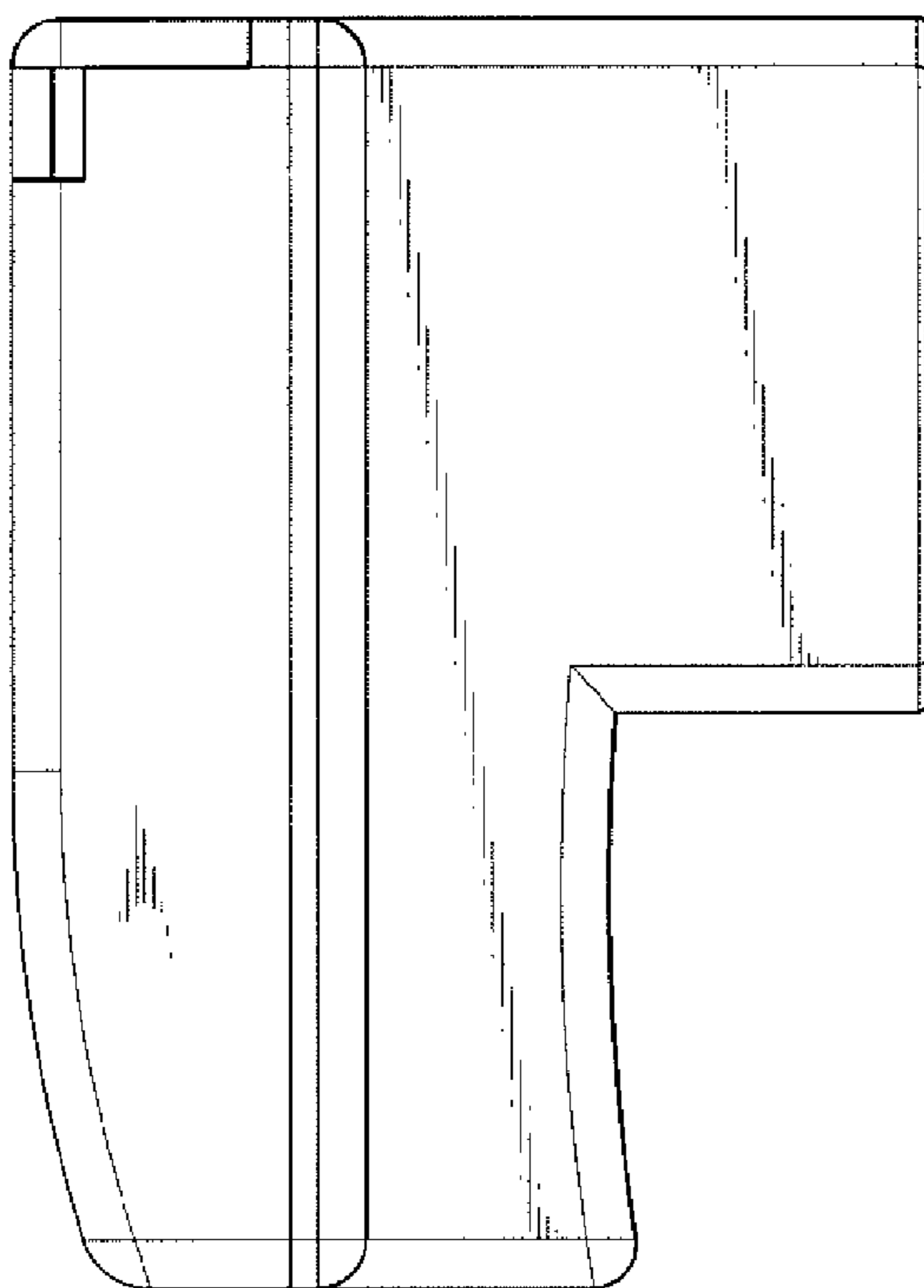


FIG. 4

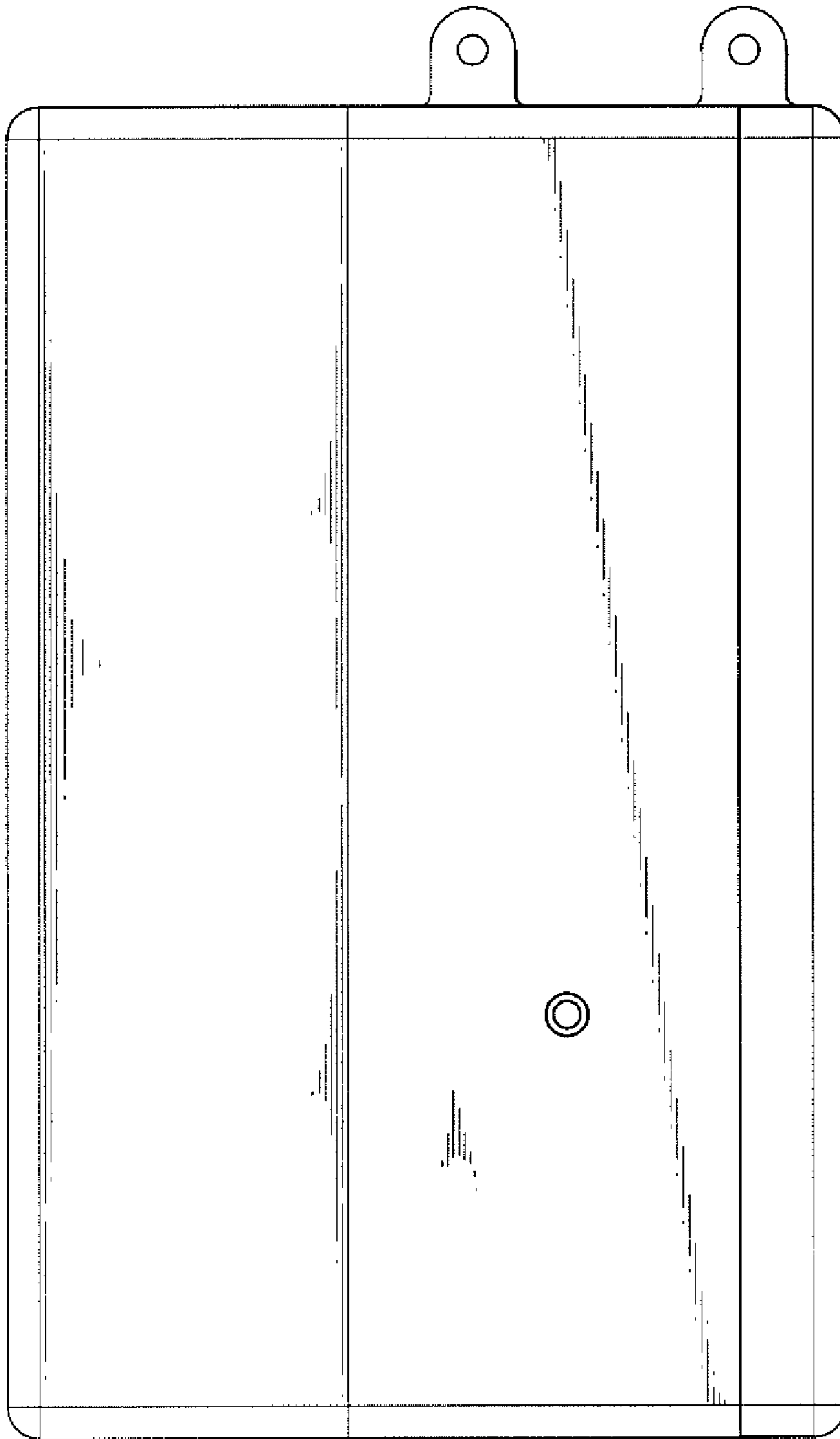


FIG. 6

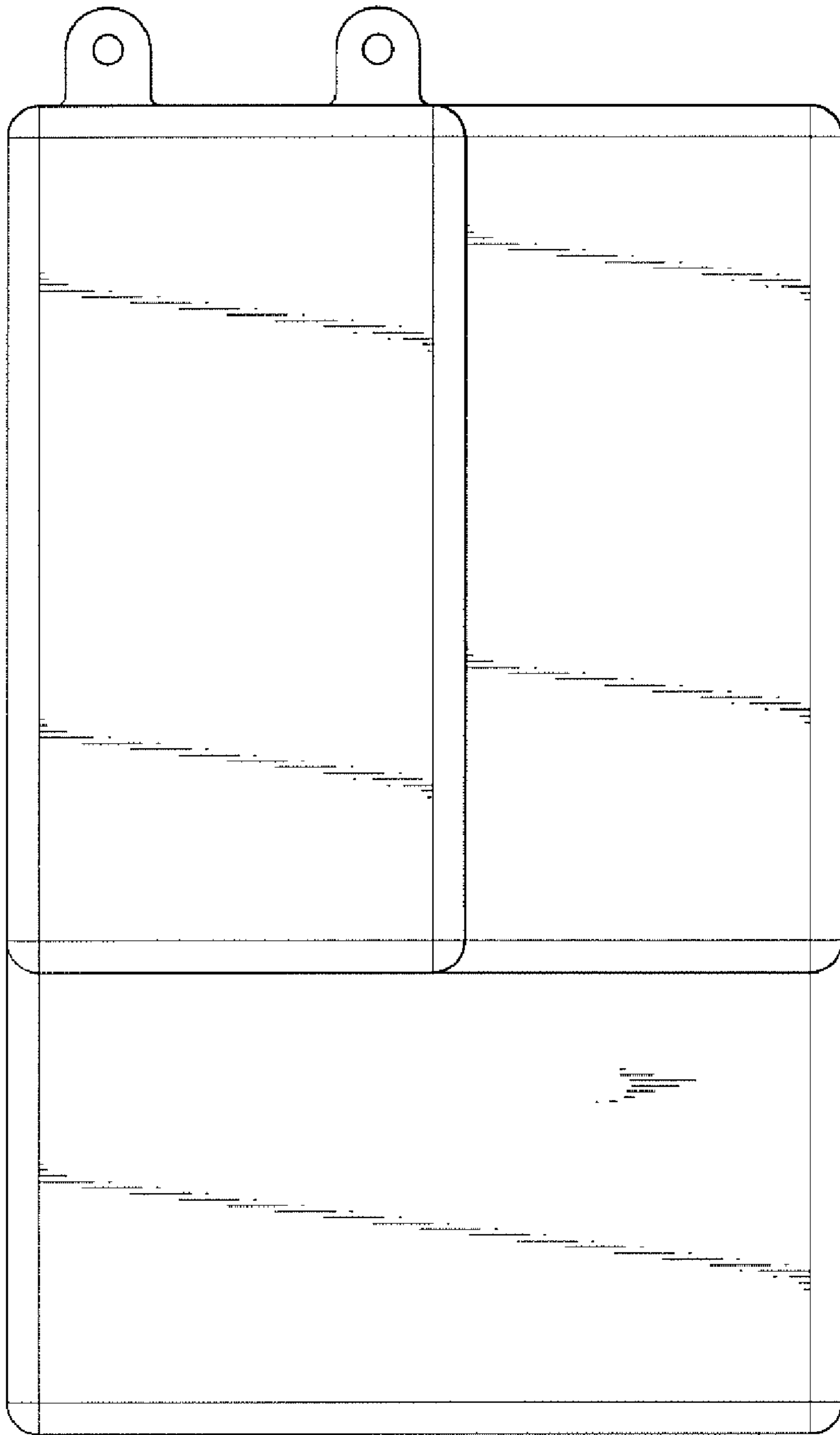


FIG. 7

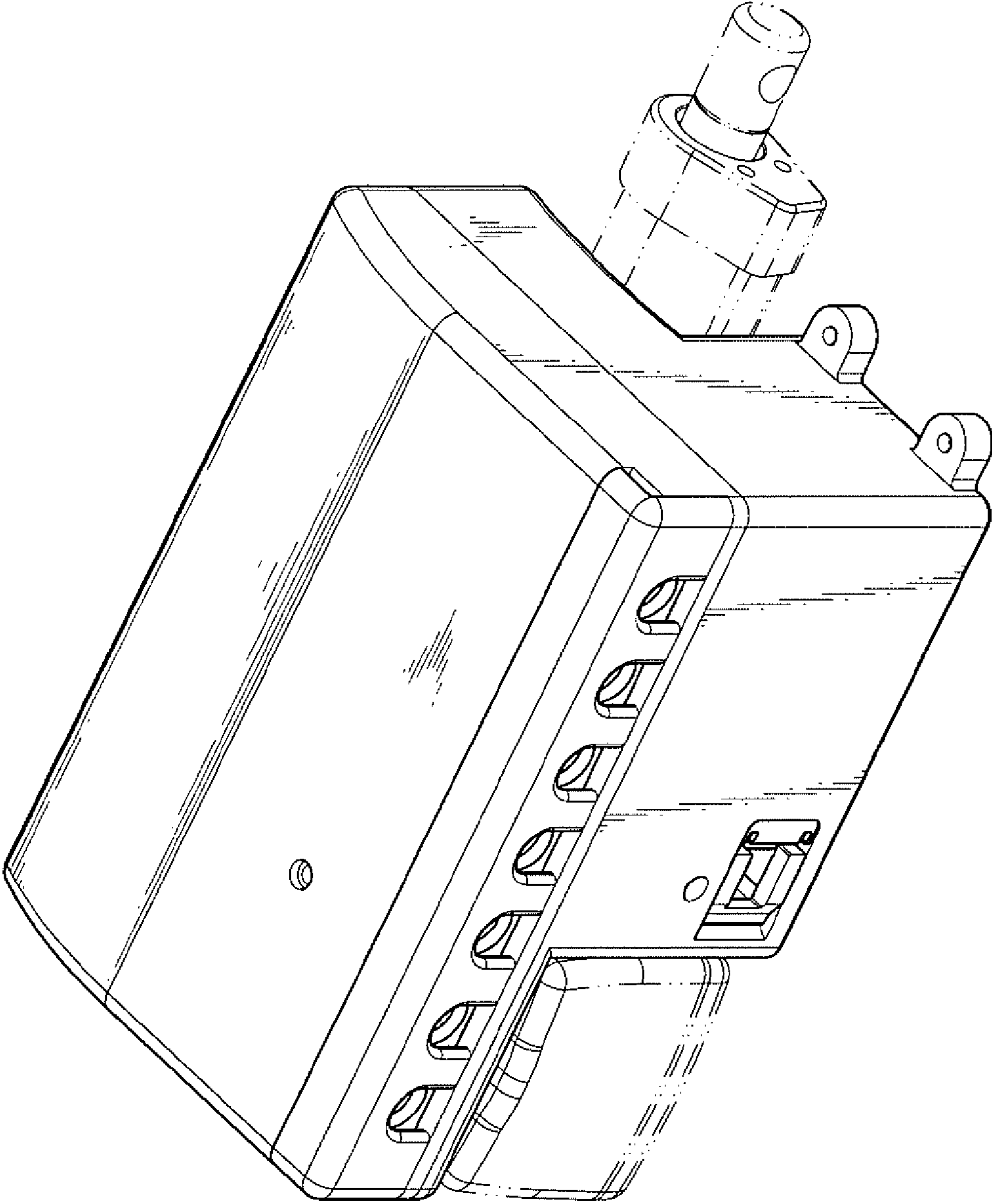


FIG. 8