



US00D572280S

(12) **United States Design Patent**
Hsiao

(10) **Patent No.:** **US D572,280 S**
(45) **Date of Patent:** **** Jul. 1, 2008**

(54) **HANDLE OF A PRESSURE SWITCH**

(76) Inventor: **I-Min Hsiao**, No. 427, Sec. 2, Doujzhong Rd., Tianjhong Township, Changhua County 520 (TW)

(**) Term: **14 Years**

(21) Appl. No.: **29/271,952**

(22) Filed: **Jan. 29, 2007**

(51) **LOC (8) Cl.** **15-09**

(52) **U.S. Cl.** **D15/142**

(58) **Field of Classification Search** D8/300,
D8/308, 309, 359, 543; D12/123, 174, 179;
D15/142; D19/74; 74/545-547; 81/176.2;
242/396.7, 397, 405.3; 269/245; 292/347
See application file for complete search history.

(56) **References Cited**

U.S. PATENT DOCUMENTS

D255,644 S	*	7/1980	Moulin	D15/142
D305,544 S	*	1/1990	Ganter	D15/142
D336,233 S	*	6/1993	Zimmermann	D8/309
D346,739 S	*	5/1994	Tinz	D8/309
D369,967 S	*	5/1996	Decursu et al.	D8/309
D375,445 S	*	11/1996	Harrison et al.	D8/309
D449,809 S	*	10/2001	Carlson	D12/179
D486,434 S	*	2/2004	Solon	D12/179
D499,327 S	*	12/2004	Breneman	D8/309

* cited by examiner

Primary Examiner—Sandra Snapp
Assistant Examiner—Patricia Palasik

(74) *Attorney, Agent, or Firm*—C. G. Mersereau; Nikolai & Mersereau, P.A.

(57) **CLAIM**

The ornamental design for a handle of a pressure switch, as shown and described.

DESCRIPTION

FIG. 1 is a perspective view of a handle of a pressure switch showing my new design;

FIG. 2 is a front side elevational view thereof;

FIG. 3 is a rear side elevational view thereof;

FIG. 4 is a left elevational view thereof;

FIG. 5 is a right elevational view thereof;

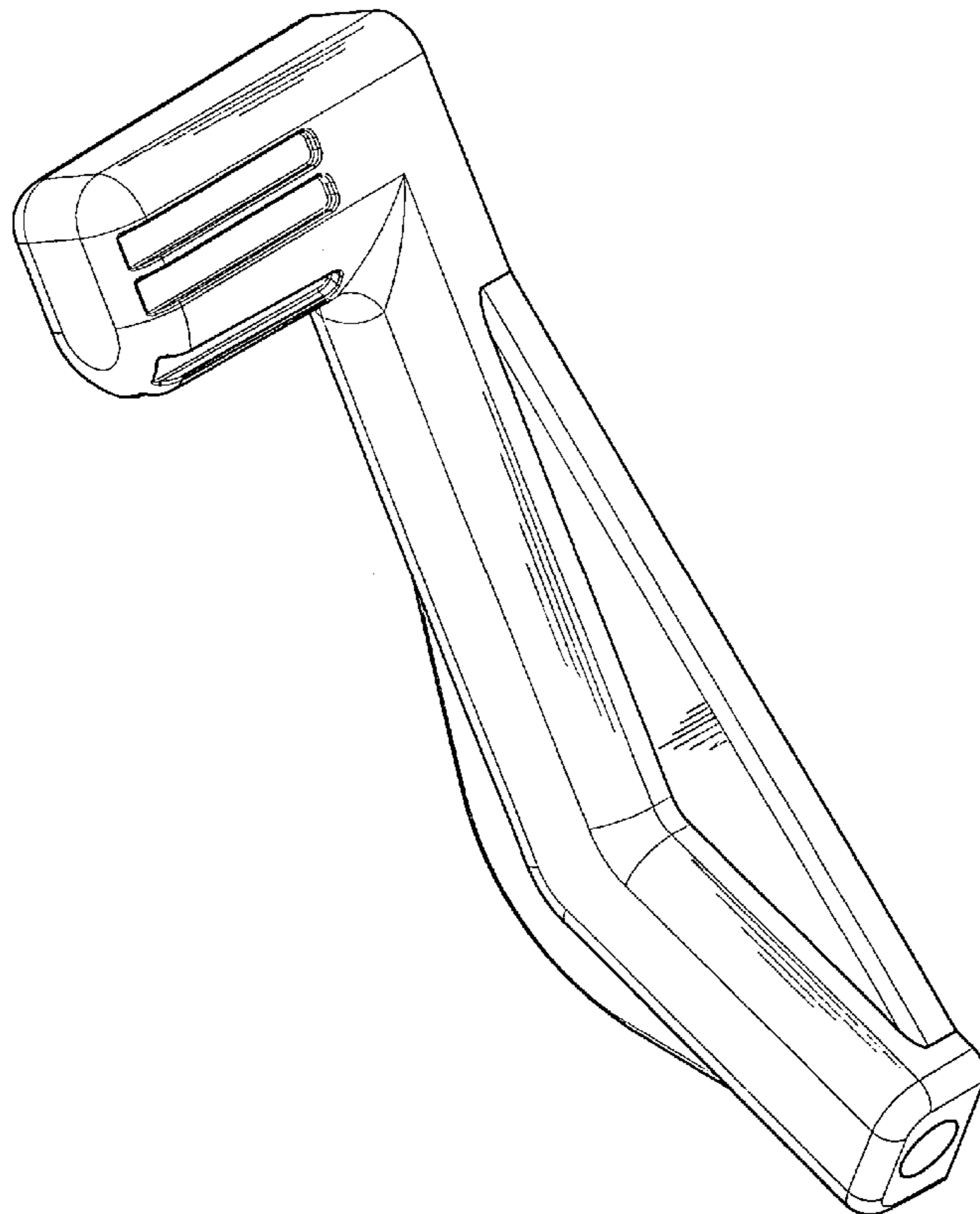
FIG. 6 is a top plan view thereof;

FIG. 7 is a bottom plan view thereof; and,

FIG. 8 is a perspective view showing the handle of a pressure switch in use.

The broken lines in the drawing are for illustrative purposes only and form no part of the claimed design.

1 Claim, 8 Drawing Sheets



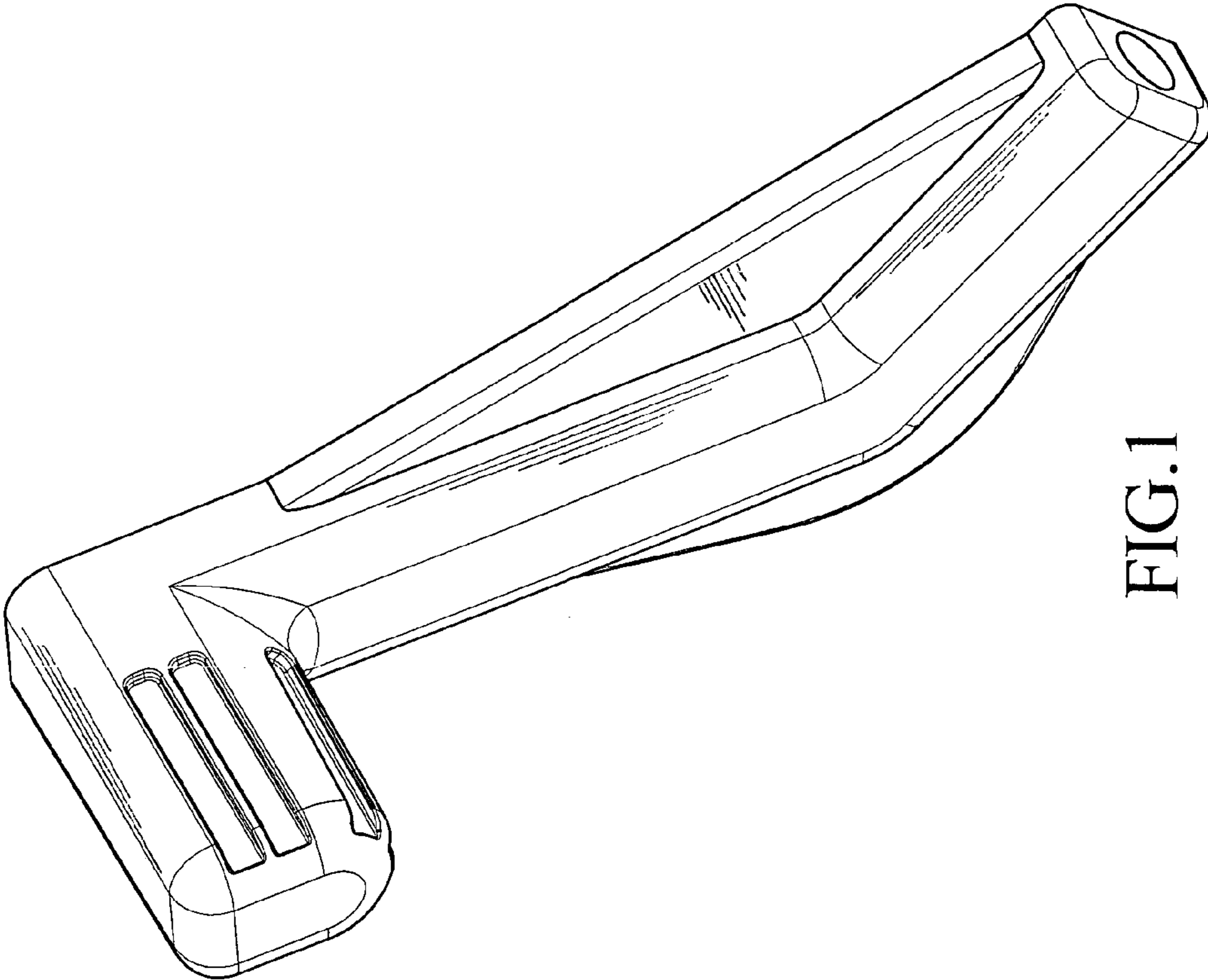


FIG.1

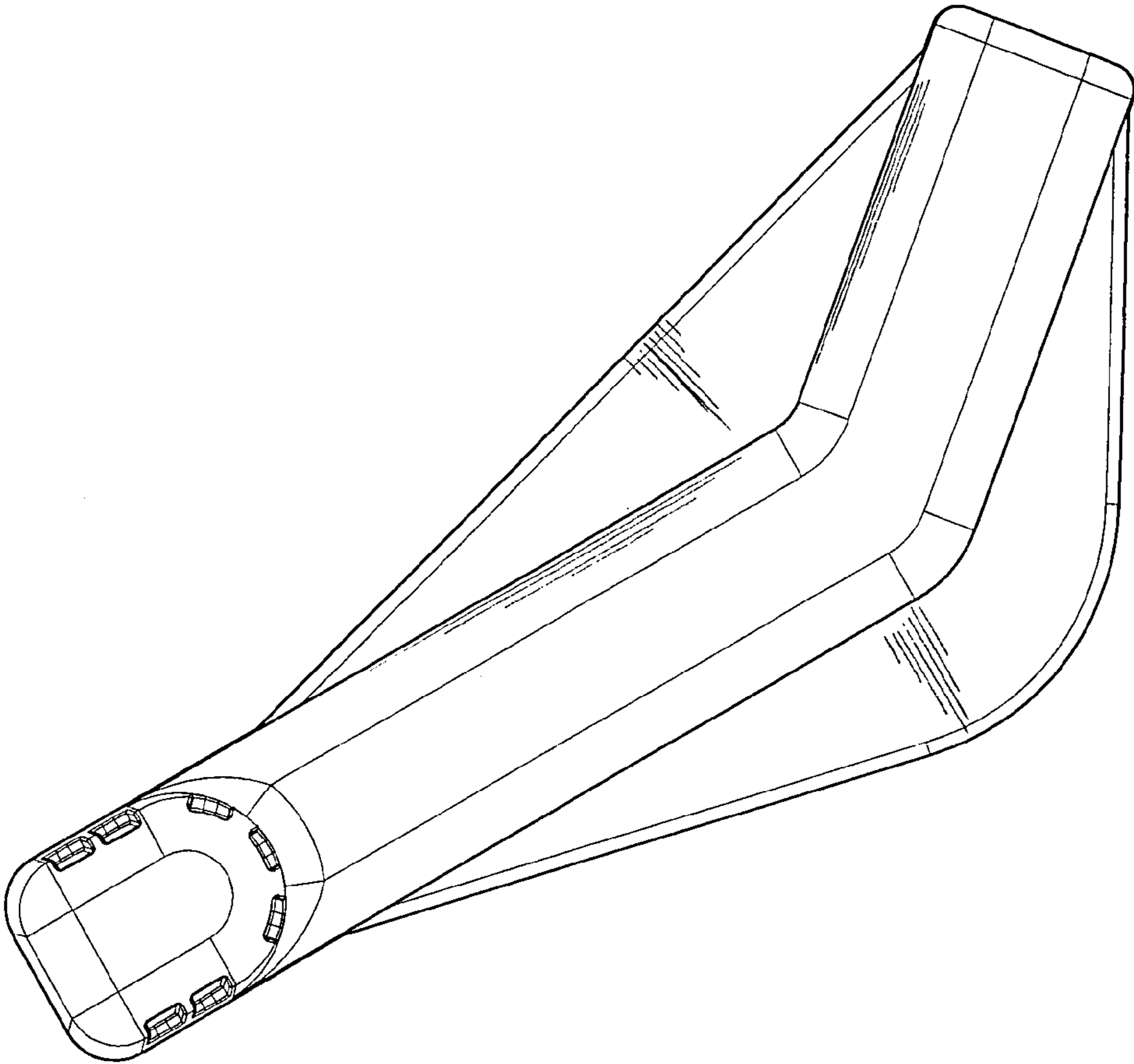


FIG.2

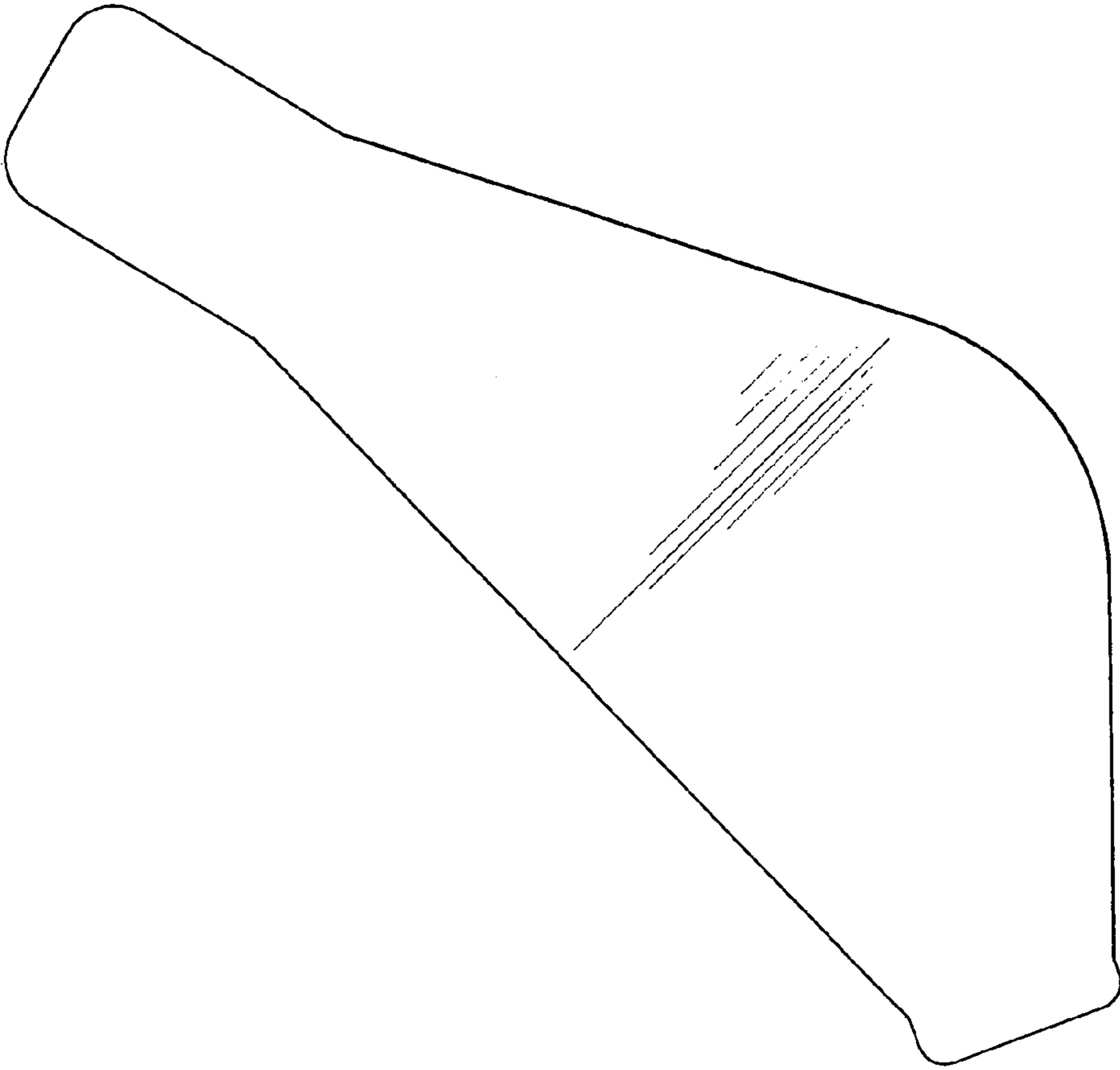


FIG.3

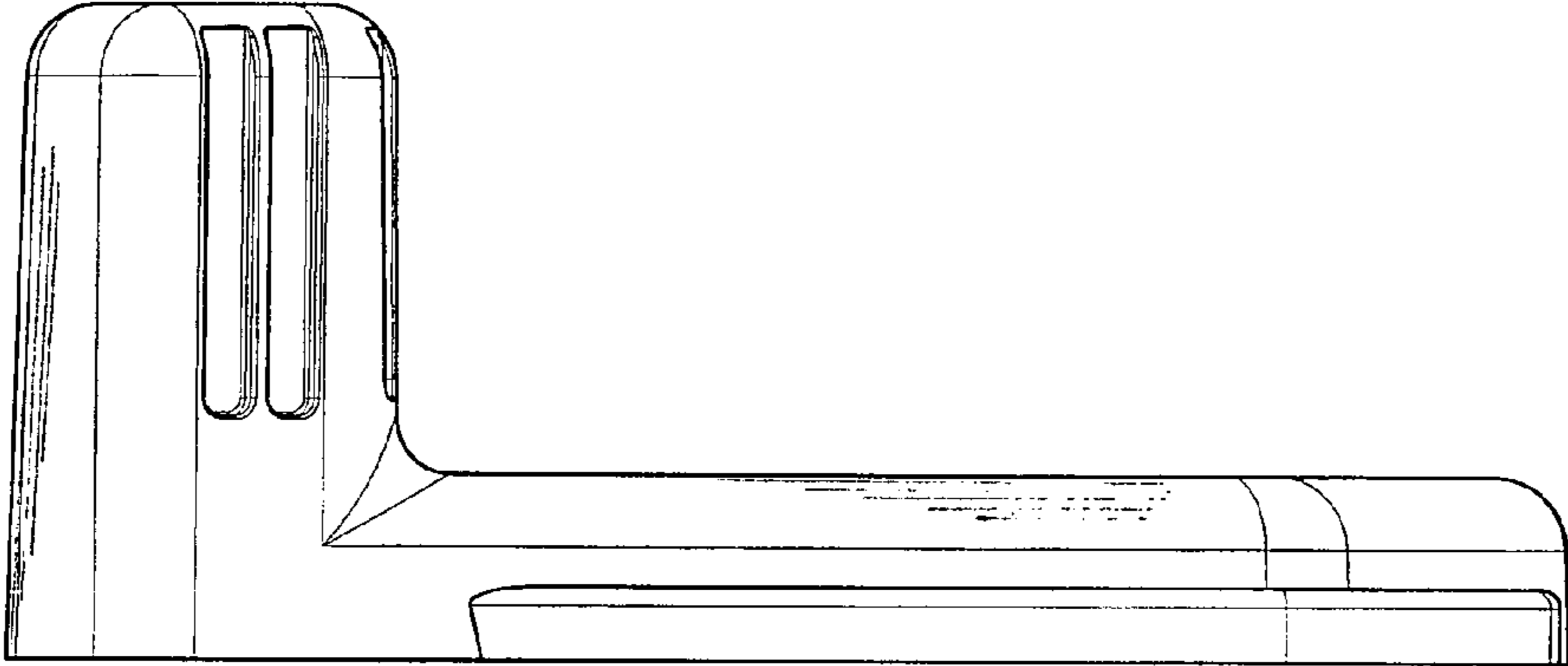


FIG.4

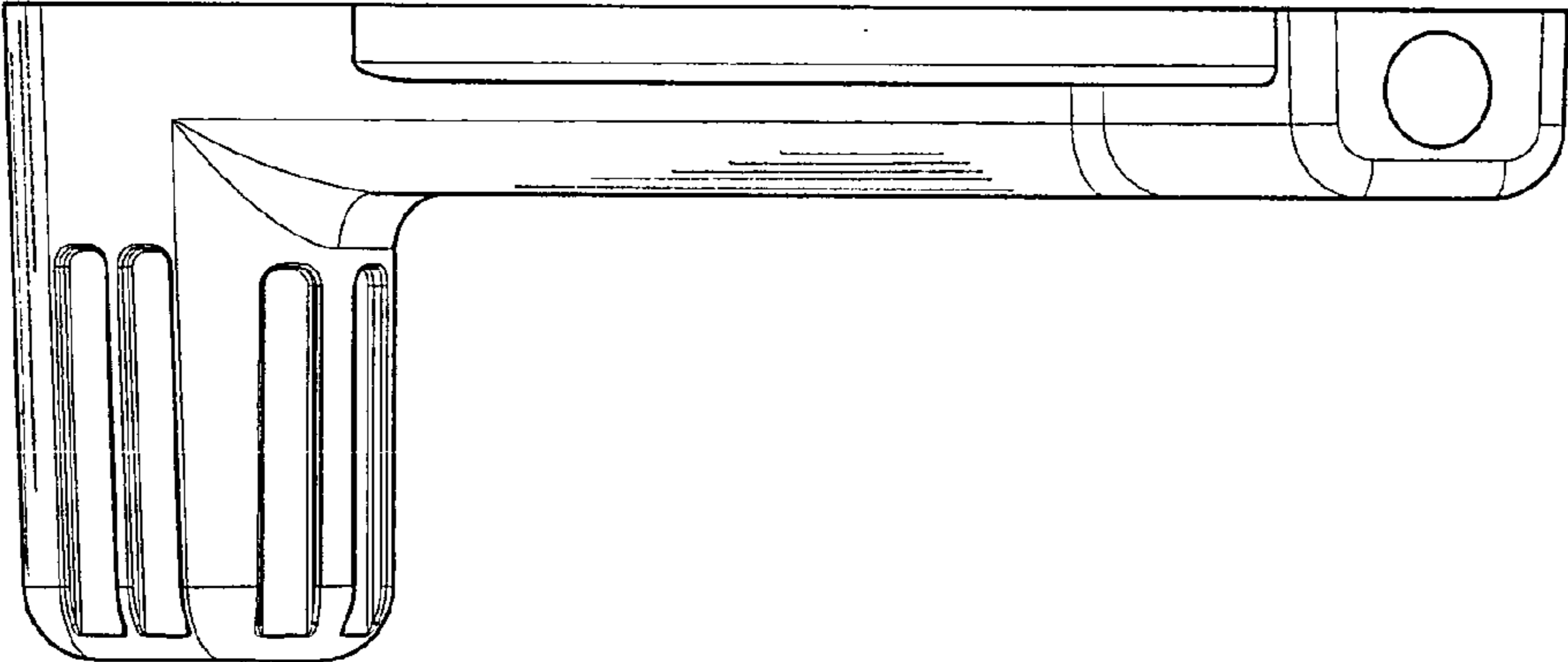


FIG. 5

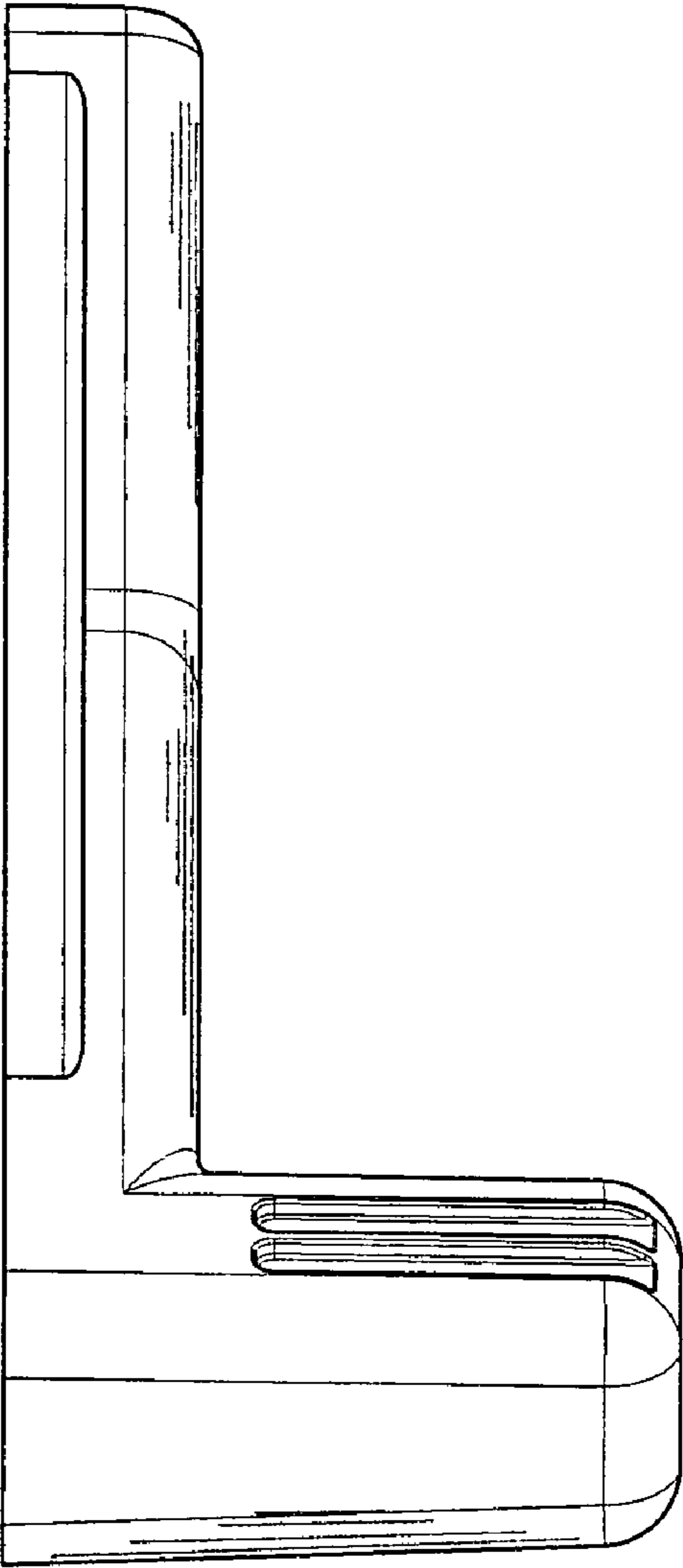


FIG.6

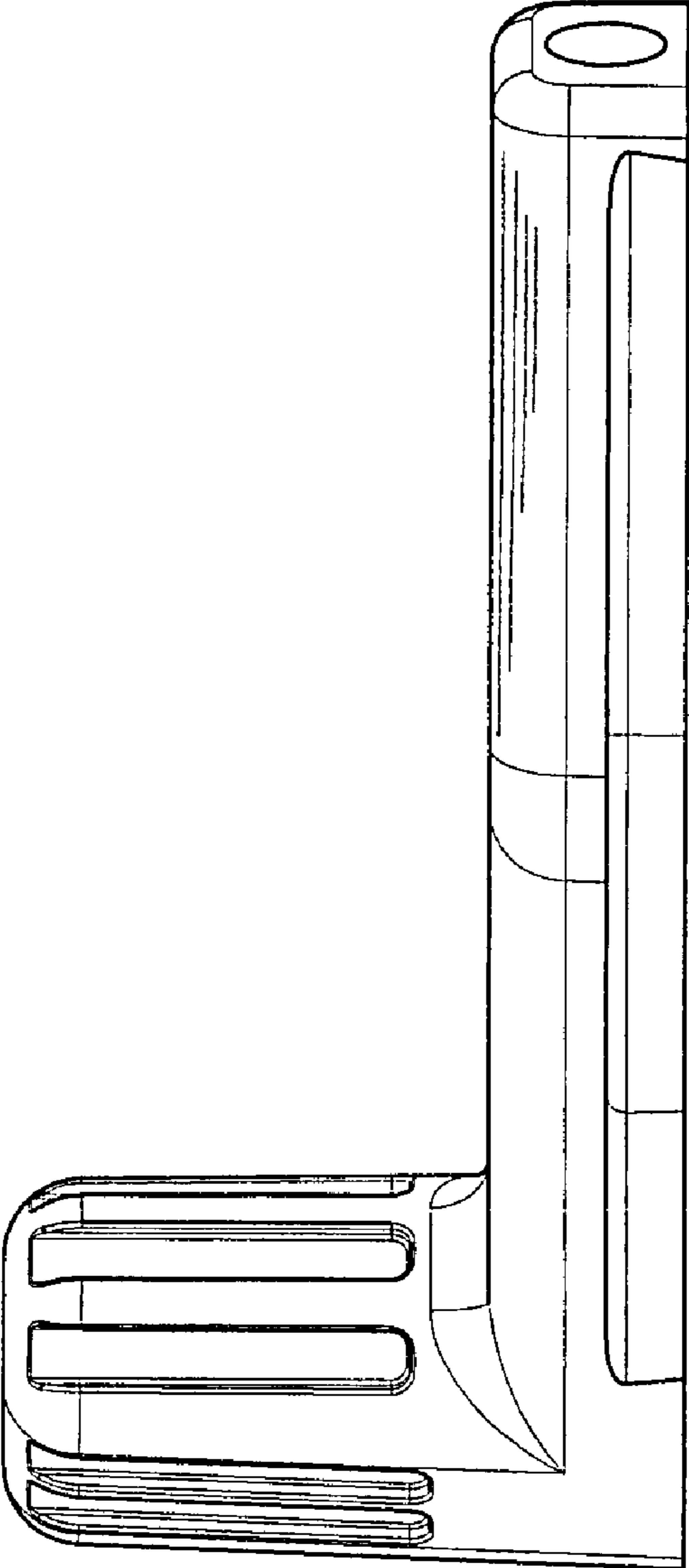


FIG. 7

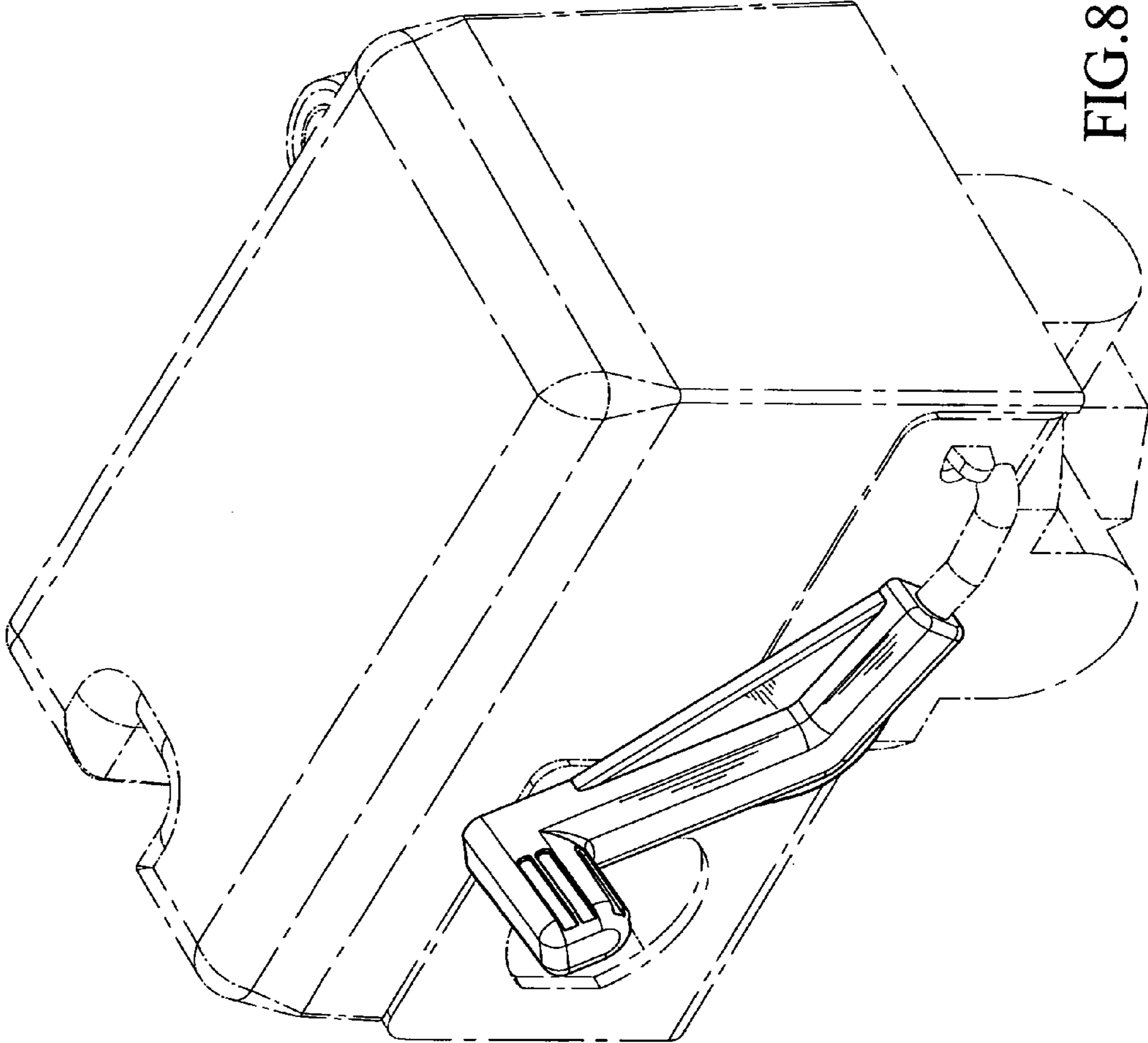


FIG. 8