



US00D572275S

(12) **United States Design Patent**
Hamburger et al.

(10) **Patent No.:** **US D572,275 S**
(45) **Date of Patent:** **** Jul. 1, 2008**

(54) **ARTICULATED TOOL CARRIER WITH TOWER ARM**

(75) Inventors: **Jacob A. Hamburger**, Perry, OK (US);
Cody L. Sewell, Perry, OK (US);
Richard A. Willoughby, Guthrie, OK (US);
Dennis E. Bass, Perry, OK (US);
Stephen G. Miggels, Wyckoff, NJ (US);
Christopher Barrow, Queens Village, NY (US);
Henry Mack, Philipsburg, NJ (US)

(73) Assignee: **The Charles Machine Works, Inc.**, Perry, OK (US)

(**) Term: **14 Years**

(21) Appl. No.: **29/295,361**

(22) Filed: **Sep. 27, 2007**

(51) **LOC (8) Cl.** **15-03**

(52) **U.S. Cl.** **D15/22; D15/10**

(58) **Field of Classification Search** D15/10,
D15/11, 12, 21, 22, 23, 28, 33; D12/14,
D12/15; D34/16, 18, 19; 56/2; 172/256,
172/329, 332, 351, 354, 42-48; 280/418;
37/352, 363, 86, 191 A, 192 A, 465, 362,
37/421, 422; 180/6.64, 8.3, 418, 305, 19.1,
180/89.12; 414/744.1, 685-688, 699, 680;
298/1 C, 22 R, 7

See application file for complete search history.

(56) **References Cited**

U.S. PATENT DOCUMENTS

| | | | | |
|---------------|--------|---------------|-------|--------|
| D153,255 S * | 4/1949 | Boza | | D34/16 |
| D159,877 S * | 8/1950 | Whiteman | | D12/15 |
| D159,987 S * | 9/1950 | Jones | | D34/16 |
| D166,817 S * | 5/1952 | Miller et al. | | D34/16 |
| 2,835,055 A * | 5/1958 | Hermes | | 37/363 |
| 2,990,631 A * | 7/1961 | Brown | | 37/363 |
| D195,254 S * | 5/1963 | Keller et al. | | D15/25 |
| D196,297 S * | 9/1963 | Malzahn | | D15/22 |
| D205,485 S * | 8/1966 | Juhl et al. | | D15/25 |

| | | | | |
|---------------|---------|--------|-------|-----------|
| 4,222,186 A * | 9/1980 | Molby | | 37/410 |
| 4,322,899 A * | 4/1982 | Clune | | 37/352 |
| D266,765 S * | 11/1982 | Clune | | D15/21 |
| 4,401,408 A * | 8/1983 | Gibert | | 414/687 |
| 4,402,352 A * | 9/1983 | Hodges | | 144/24.12 |
| D281,428 S * | 11/1985 | Kent | | D15/21 |

(Continued)

OTHER PUBLICATIONS

Burkeen Manufacturing Company, "TP16 Trencher-Plow", brochure, Olive Branch, Mississippi.

(Continued)

Primary Examiner—Stella M. Reid

Assistant Examiner—Mark A Goodwin

(74) *Attorney, Agent, or Firm*—Tomlinson & O'Connell, PC

(57) **CLAIM**

The ornamental design for an articulated tool carrier with tower arm, as shown and described.

DESCRIPTION

FIG. 1 is a left side view of an articulated tool carrier with tower arm showing our new design;

FIG. 2 is an enlarged rear view thereof;

FIG. 3 is an enlarged front view thereof;

FIG. 4 is a right side view thereof;

FIG. 5 is a top view thereof;

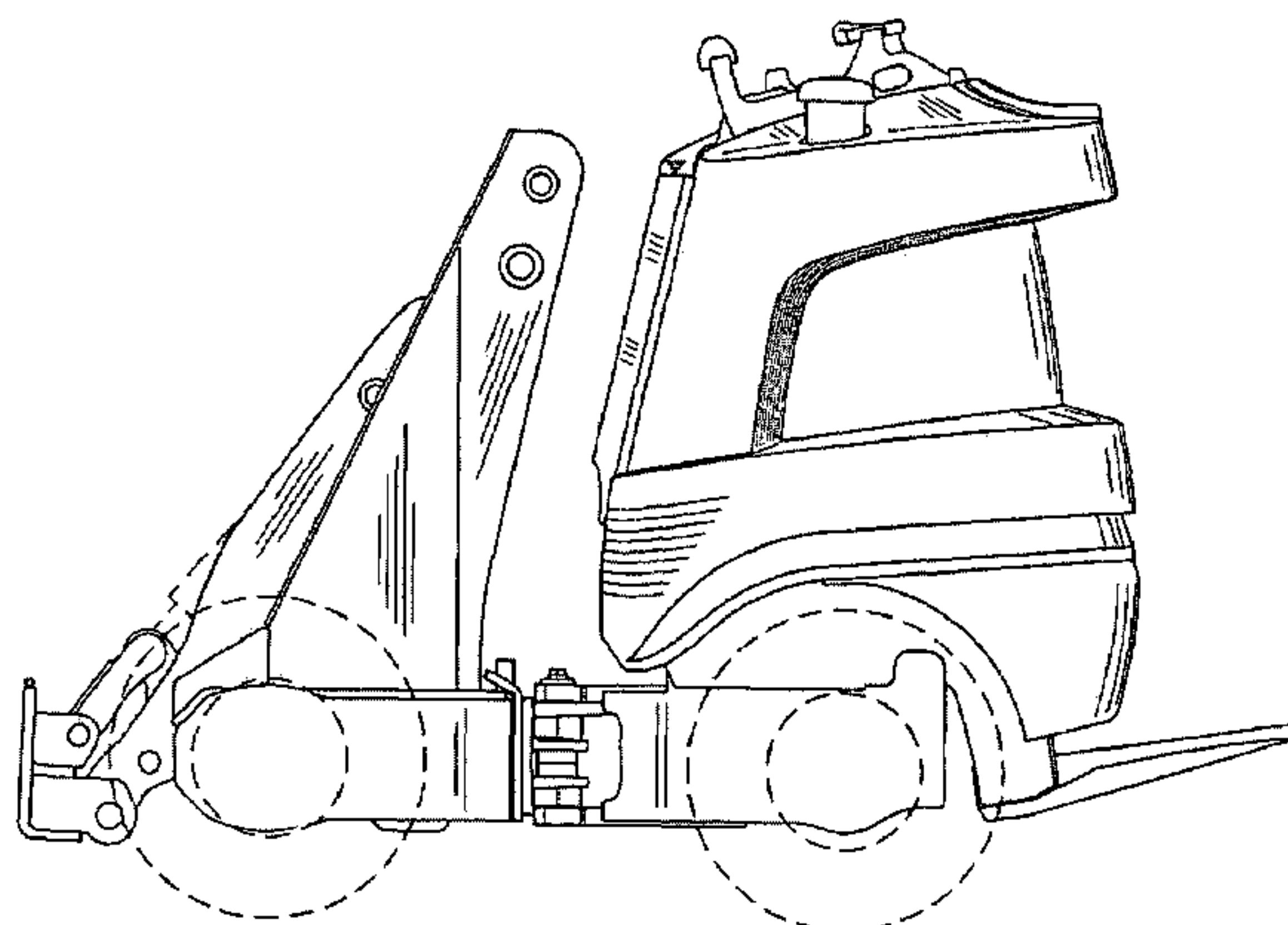
FIG. 6 is a bottom view thereof;

FIG. 7 is a front top left perspective view thereof; and,

FIG. 8 is a front top right perspective view.

The broken line showing of the wheels is included for the purpose of illustrating portions of the articulated tool carrier with tower arm and forms no part of the claimed design.

1 Claim, 8 Drawing Sheets



U.S. PATENT DOCUMENTS

| | | | | | | | | | | | |
|-----------|------|---------|----------------|-------|-----------|--------------|------|---------|----------------|-------|----------|
| D294,032 | S * | 2/1988 | Whiffin | | D15/25 | 6,830,111 | B2 * | 12/2004 | Page | | 172/42 |
| 4,896,442 | A * | 1/1990 | Stiff et al. | | 37/355 | 6,848,526 | B2 * | 2/2005 | Burt et al. | | 180/69.4 |
| D319,063 | S * | 8/1991 | Warren | | D15/21 | 6,860,043 | B1 * | 3/2005 | Heise et al. | | 37/352 |
| 5,212,896 | A * | 5/1993 | Hillard et al. | | 37/355 | 6,889,793 | B2 * | 5/2005 | Okada et al. | | 180/435 |
| 5,228,221 | A * | 7/1993 | Hillard et al. | | 37/355 | 6,955,404 | B1 * | 10/2005 | Best et al. | | 298/1 C |
| D359,497 | S * | 6/1995 | Rayner | | D15/25 | 6,962,209 | B2 * | 11/2005 | Isaman et al. | | 172/19 |
| D410,313 | S * | 5/1999 | Dombek et al. | | D34/19 | 6,997,667 | B2 * | 2/2006 | Hackett et al. | | 414/685 |
| D431,574 | S * | 10/2000 | Porter | | D15/25 | D555,673 | S * | 11/2007 | Hendron et al. | | D15/22 |
| 6,151,811 | A | 11/2000 | Barreto | | | 2001/0000641 | A1 * | 5/2001 | Dombek et al. | | 298/7 |
| 6,155,648 | A * | 12/2000 | Dombek et al. | | 297/1 C | 2001/0040405 | A1 * | 11/2001 | Jansen et al. | | 298/1 C |
| D438,218 | S * | 2/2001 | McIlwraith | | D15/25 | 2003/0095857 | A1 * | 5/2003 | Degelman | | 414/685 |
| 6,322,151 | B2 * | 11/2001 | Dombek et al. | | 298/1 C | 2003/0221399 | A1 * | 12/2003 | Hall | | 56/2 |
| 6,397,667 | B1 | 6/2002 | Fujii | | | 2006/0119164 | A1 * | 6/2006 | Heskin | | 298/1 C |
| 6,397,967 | B1 * | 6/2002 | McIlwraith | | 180/308 | 2007/0131437 | A1 * | 6/2007 | Sewell | | 172/256 |
| 6,425,452 | B1 * | 7/2002 | Steiner et al. | | 180/233 | 2007/0132204 | A1 * | 6/2007 | Sewell | | 280/418 |
| D463,454 | S * | 9/2002 | Miller et al. | | D15/22 | | | | | | |
| 6,578,924 | B2 * | 6/2003 | Jansen et al. | | 298/1 C | | | | | | |
| D479,535 | S * | 9/2003 | Lange | | D15/25 | | | | | | |
| 6,619,754 | B1 * | 9/2003 | Dombek et al. | | 298/1 C | | | | | | |
| 6,715,579 | B1 * | 4/2004 | Hendron | | 280/764.1 | | | | | | |
| 6,766,601 | B2 * | 7/2004 | Dickins | | 37/363 | | | | | | |

OTHER PUBLICATIONS

Burkeen Equipment & Supply Company, Walk Behind Trencher/
Plow, advertisement, 1981, Memphis Tennessee.
Davis, "Davis Fleetline 12+2", brochure.

* cited by examiner

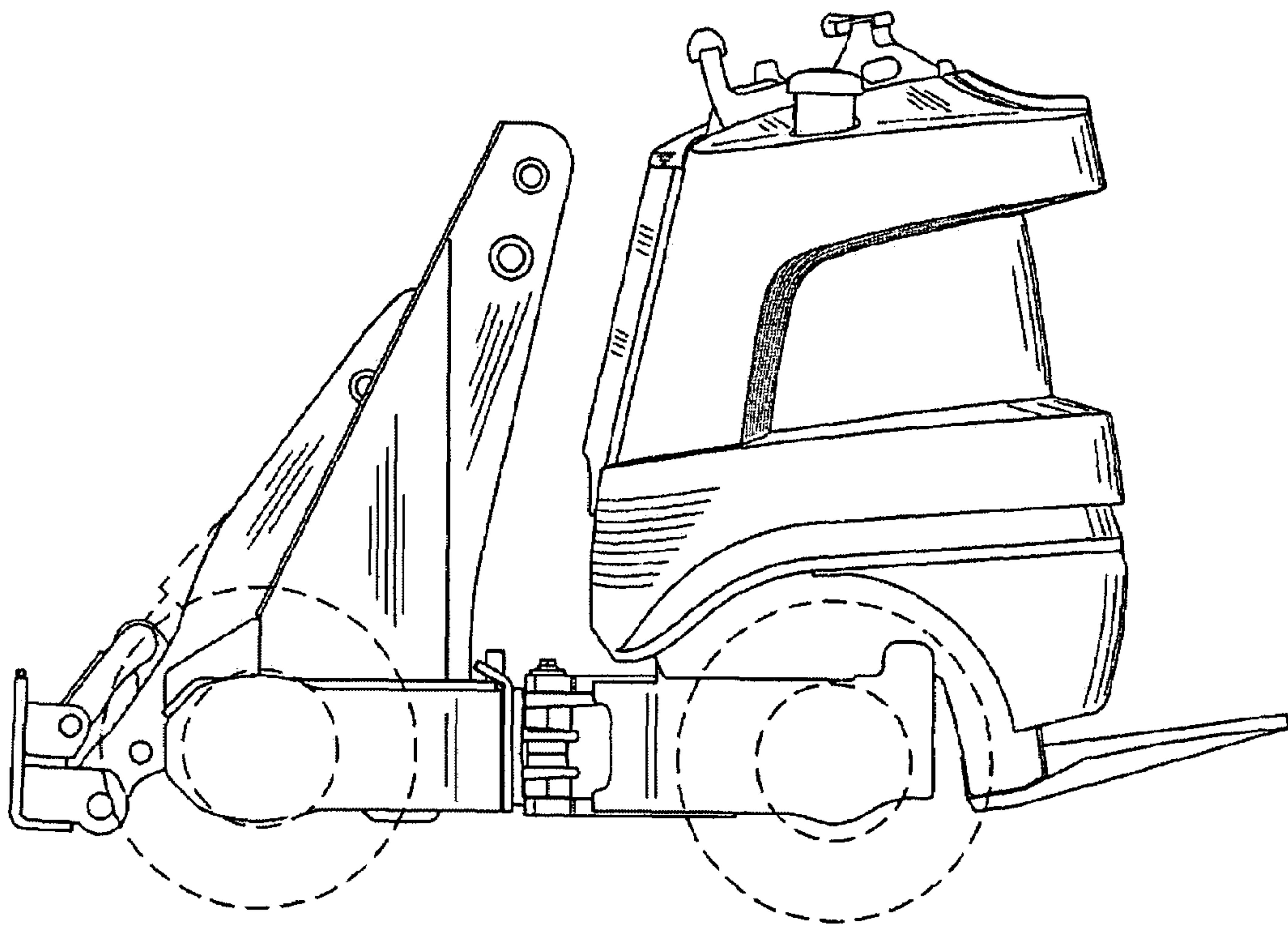


FIGURE 1

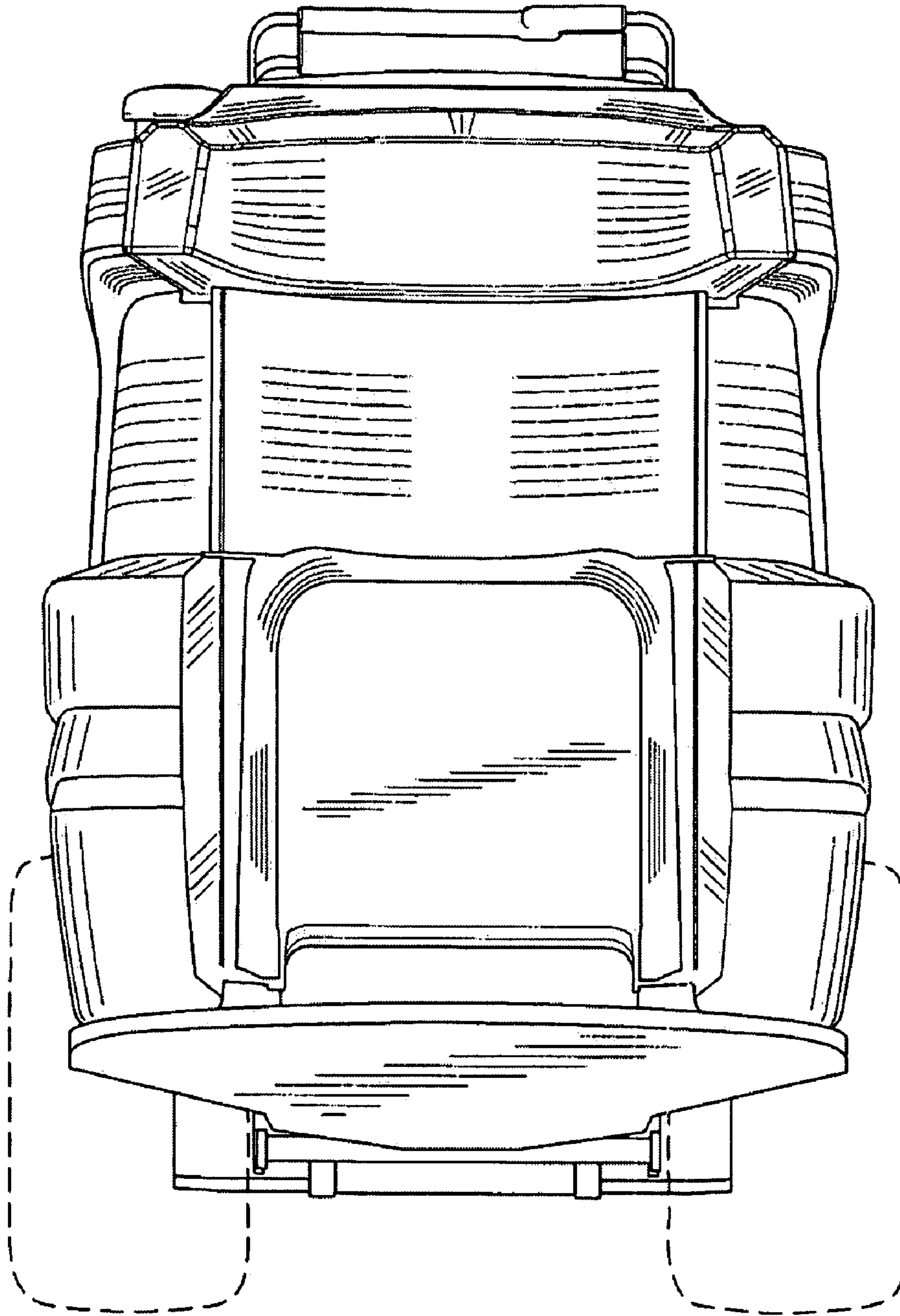


FIGURE 2

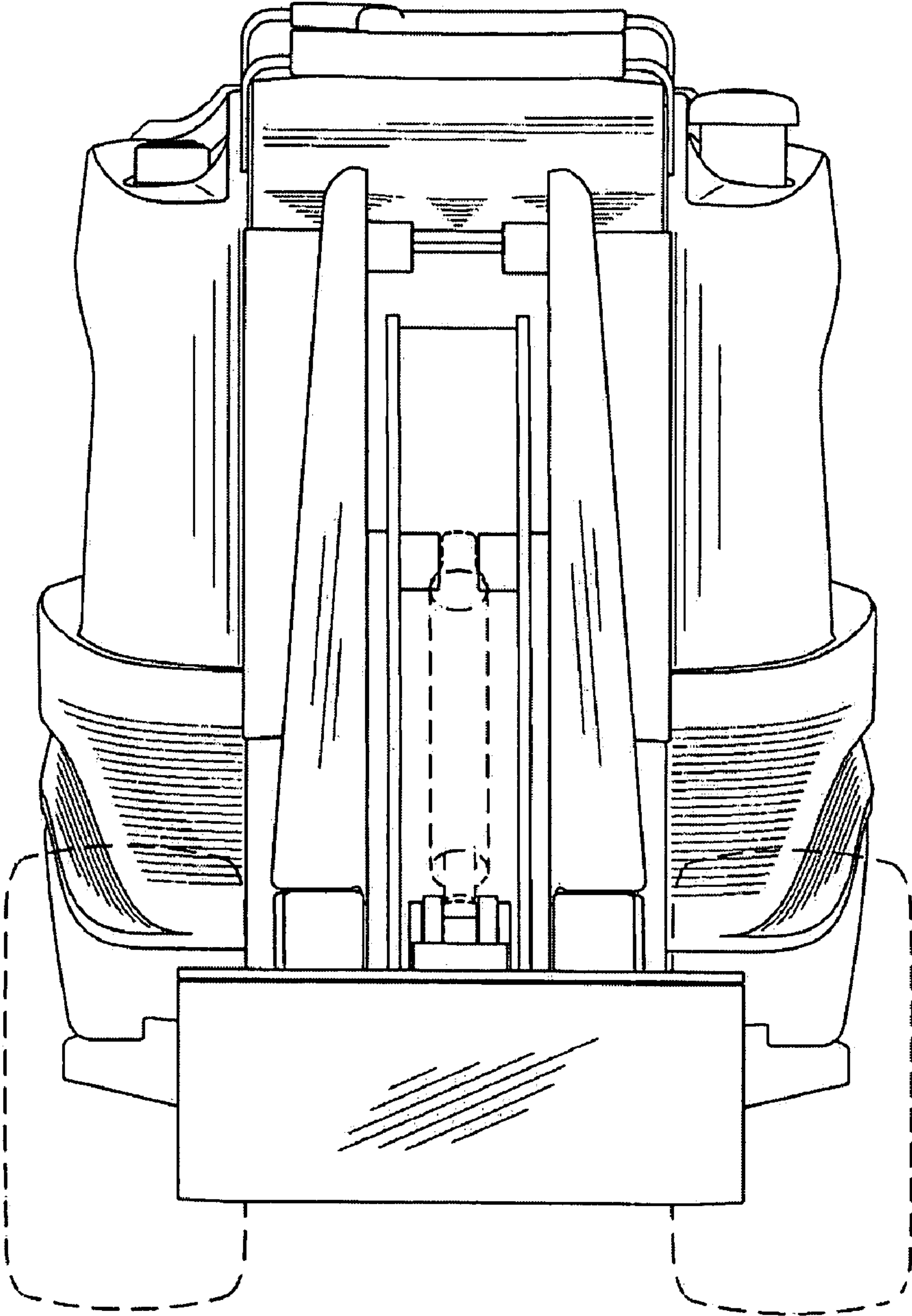


FIGURE 3

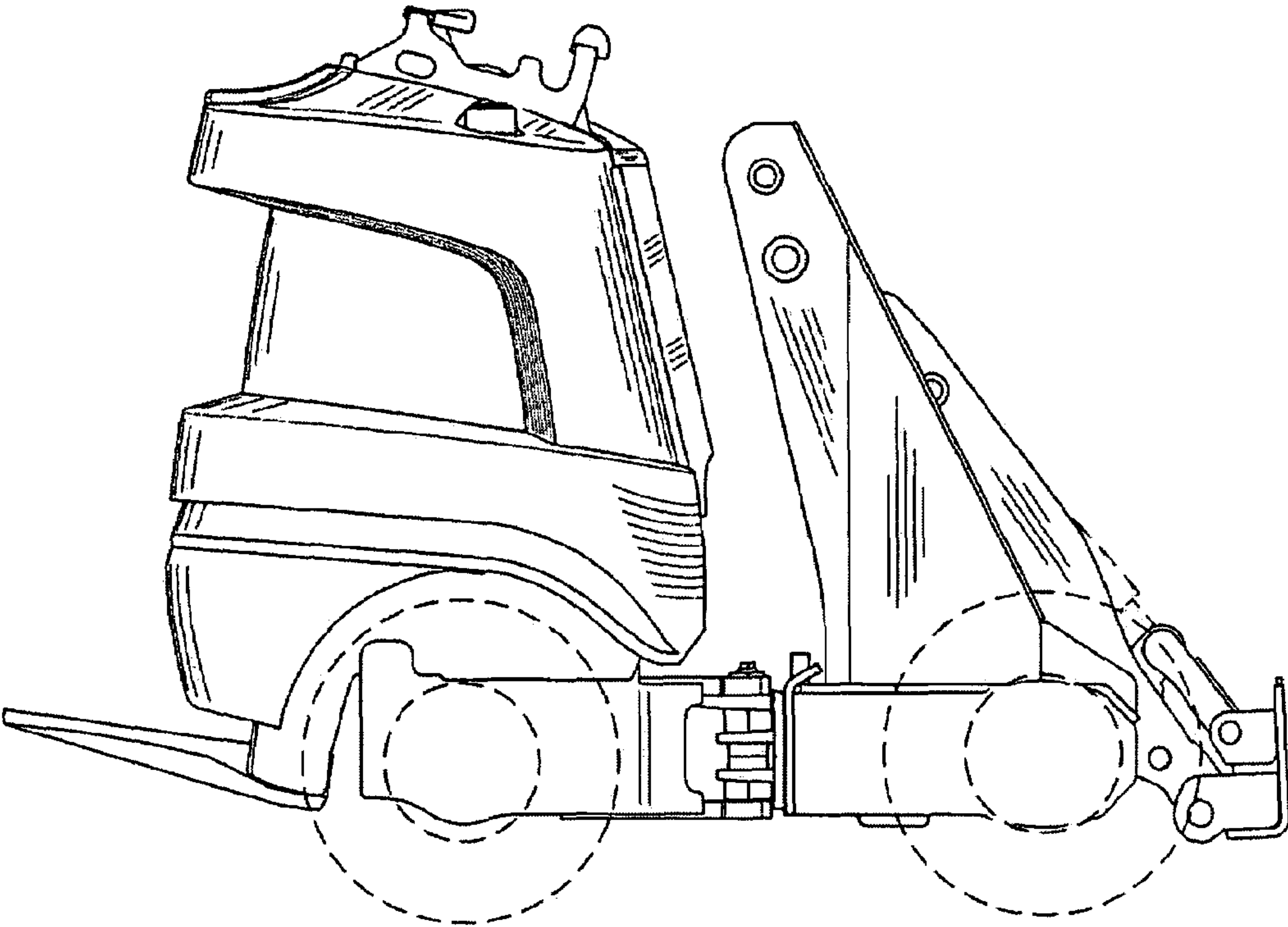


FIGURE 4

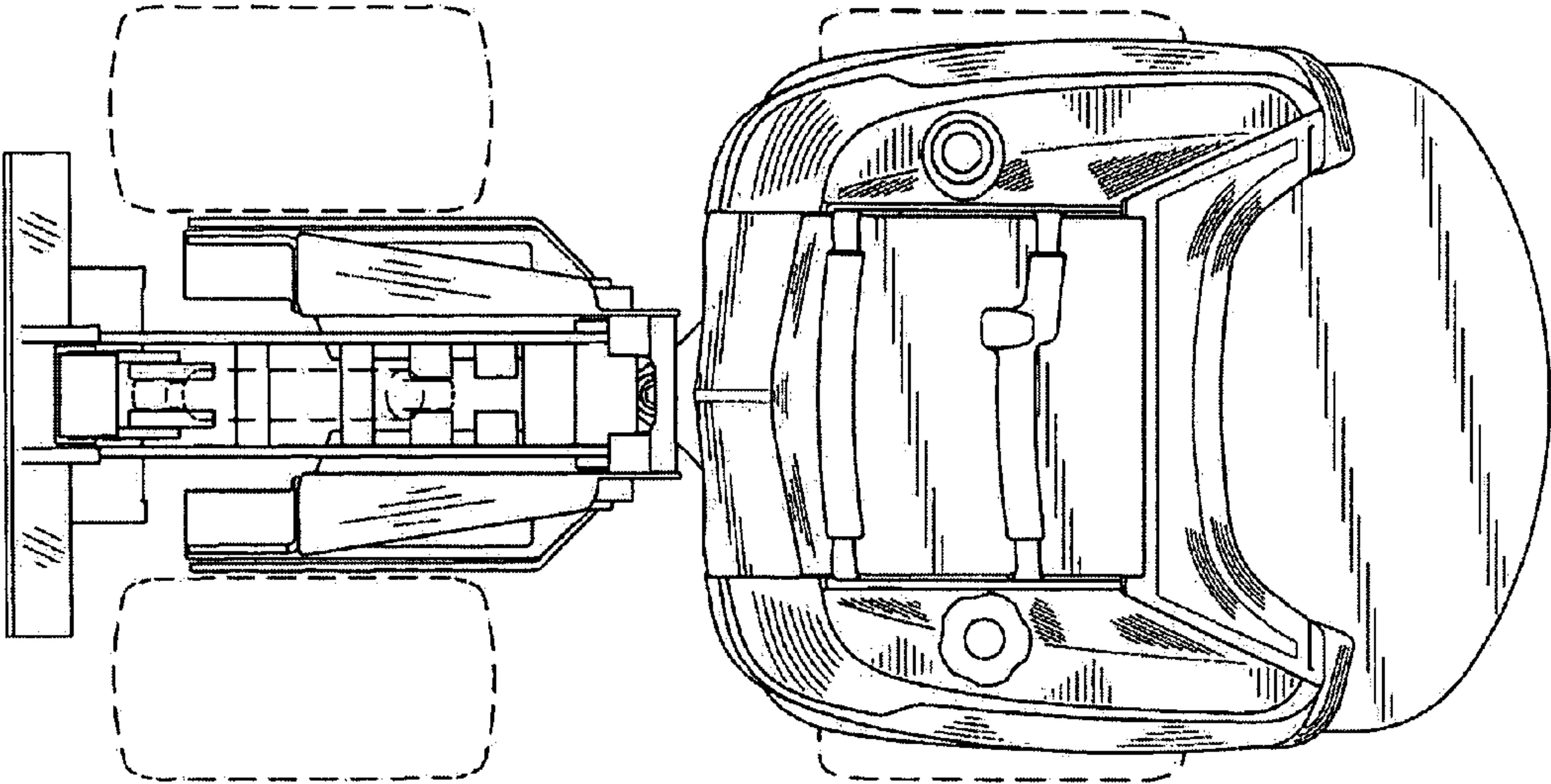


FIGURE 5

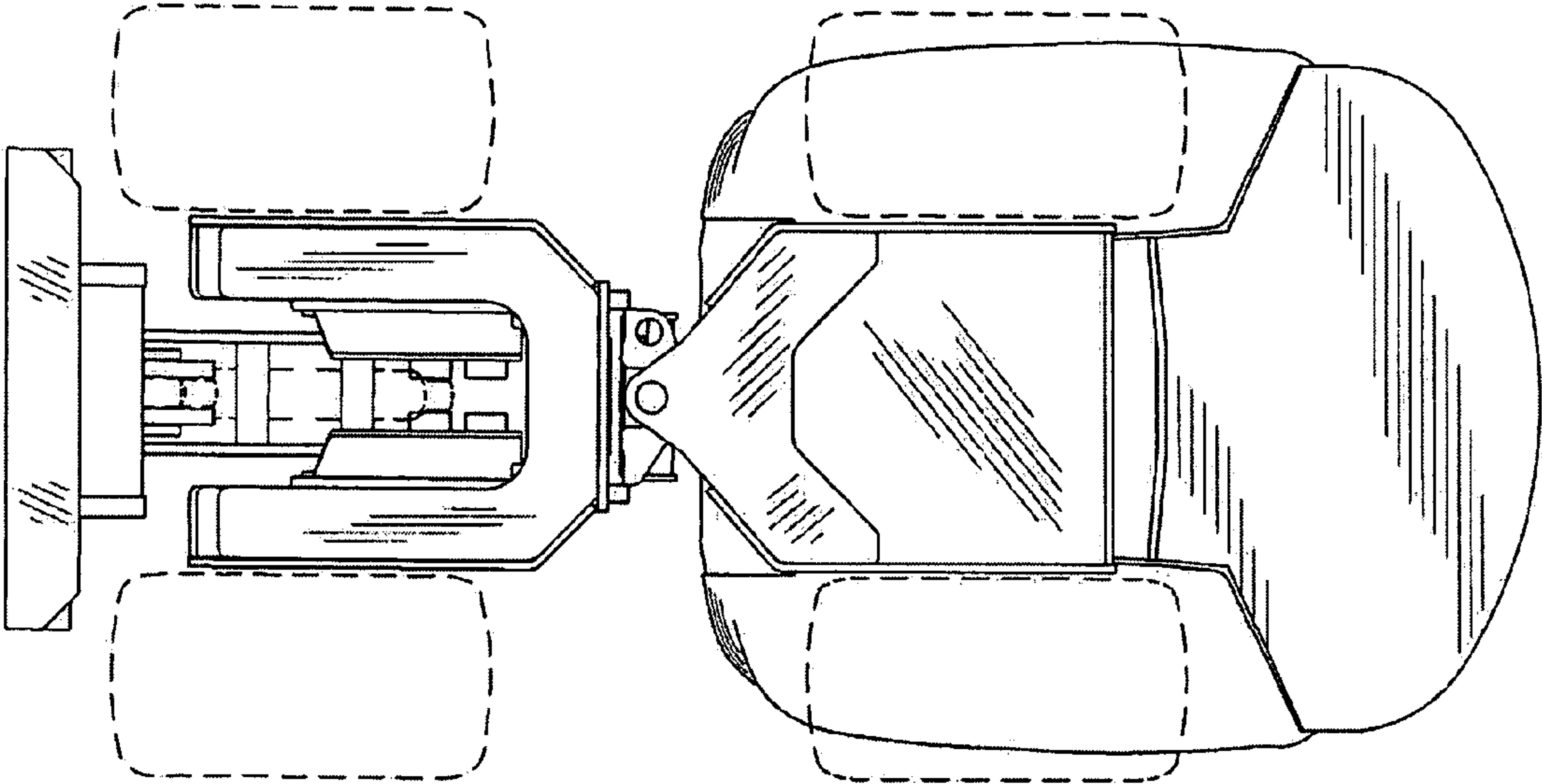


FIGURE 6

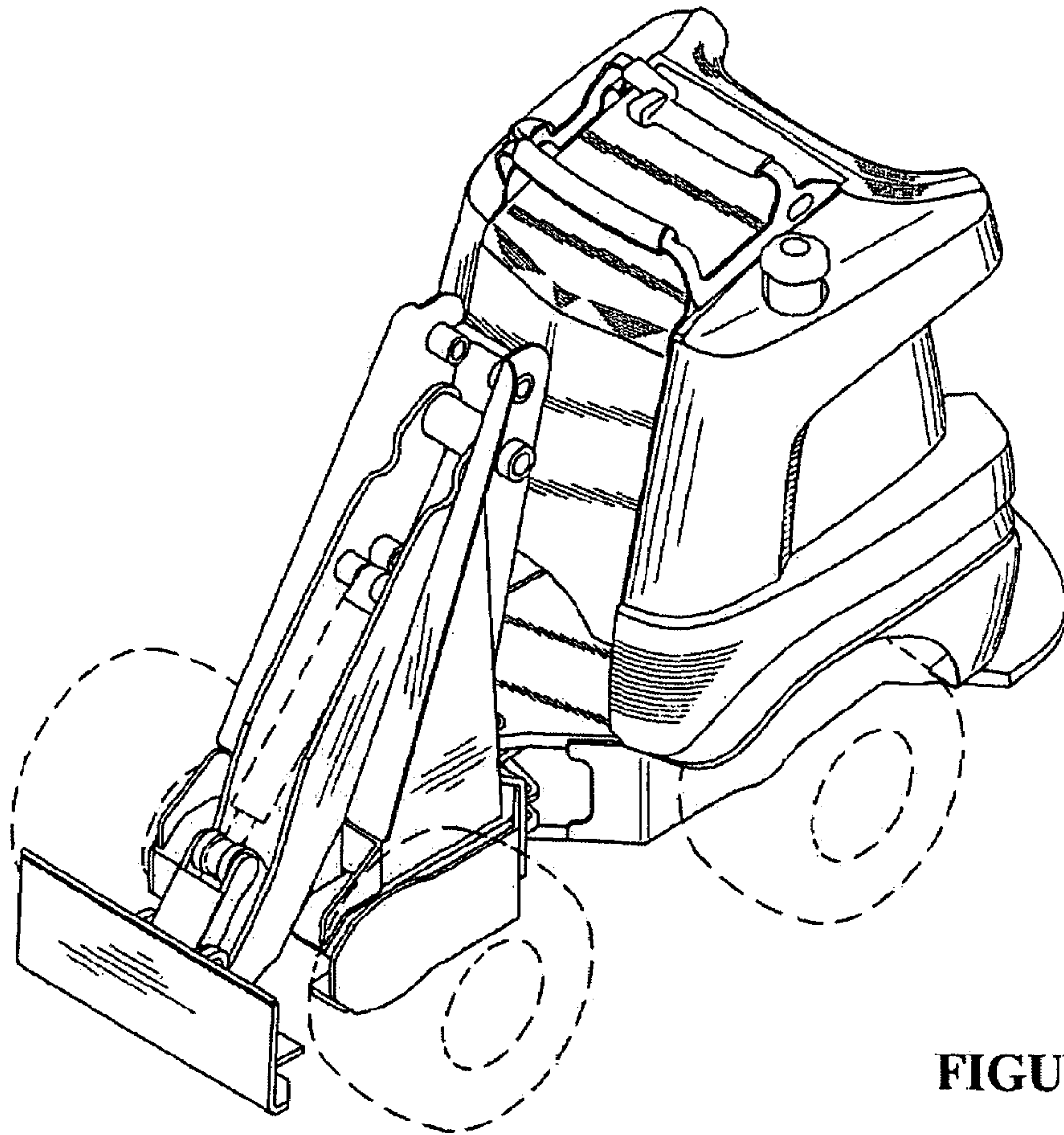


FIGURE 7

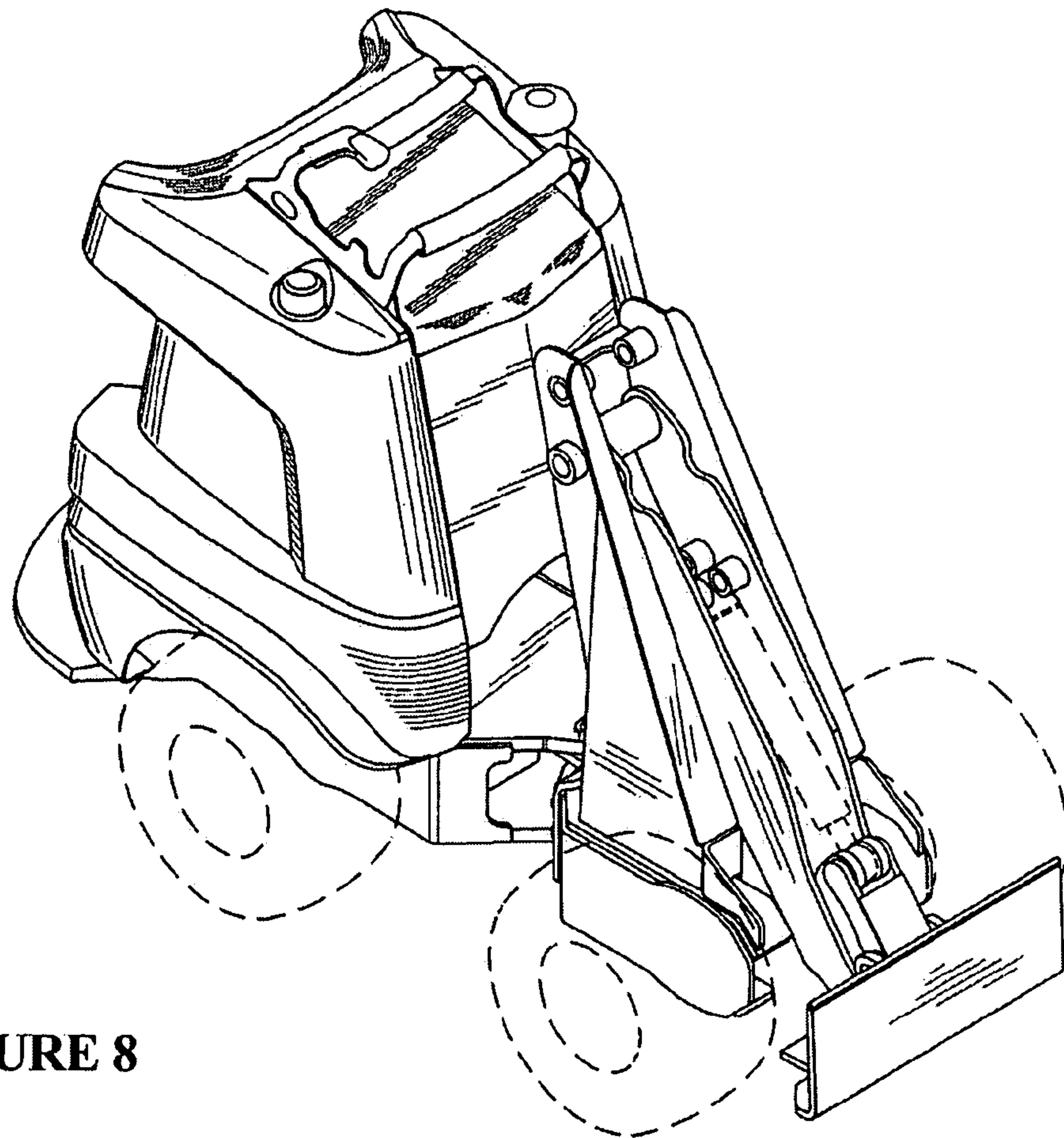


FIGURE 8