



US00D572274S

(12) **United States Design Patent**
Buck et al.

(10) **Patent No.:** **US D572,274 S**
(45) **Date of Patent:** **** Jul. 1, 2008**

(54) **ARTICULATED DUMPER**

(75) Inventors: **Michael D. Buck**, Perry, OK (US);
Jacob A. Hamburger, Perry, OK (US);
Cody L. Sewell, Perry, OK (US); **Dennis E. Bass**, Perry, OK (US); **Stephen G. Miggels**, Wyckoff, NJ (US);
Christopher Barrow, Queens Village, NY (US); **Henry Mack**, Phillipsburg, NJ (US)

4,322,899 A * 4/1982 Clune 37/352
D266,765 S * 11/1982 Clune D15/21
4,401,408 A * 8/1983 Gibert 414/687
4,402,352 A * 9/1983 Hodges 144/24.12
D281,428 S * 11/1985 Kent D15/21
D294,032 S * 2/1988 Whiffin D15/25
4,896,442 A * 1/1990 Stiff et al. 37/355

(Continued)

(73) Assignee: **The Charles Machine Works, Inc.**, Perry, OK (US)

(**) Term: **14 Years**

(21) Appl. No.: **29/295,349**

(22) Filed: **Sep. 27, 2007**

(51) **LOC (8) Cl.** **15-03**

(52) **U.S. Cl.** **D15/22; D15/10**

(58) **Field of Classification Search** D15/10,
D15/11, 12, 21, 22, 23, 28, 33; D12/14,
D12/15; D34/16, 18, 19; 56/2; 172/256,
172/329, 332, 351, 354, 42-48; 280/418;
37/352, 363, 86, 191 A, 192 A, 465, 362,
37/421, 422; 180/6.64, 8.3, 418, 305, 19.1,
180/89.12; 414/744.1, 685-688, 699, 680;
298/1 C, 22 R, 7

See application file for complete search history.

(56) **References Cited**

U.S. PATENT DOCUMENTS

D153,255 S * 4/1949 Boza D34/16
D159,877 S * 8/1950 Whiteman D12/15
D159,987 S * 9/1950 Jones D34/16
D166,817 S * 5/1952 Miller et al. D34/16
2,835,055 A * 5/1958 Hermes 37/363
2,990,631 A * 7/1961 Brown 37/363
D195,254 S * 5/1963 Keller et al. D15/25
D196,297 S * 9/1963 Malzahn D15/22
D205,485 S * 8/1966 Juhl et al. D15/25
4,222,186 A * 9/1980 Molby 37/410

OTHER PUBLICATIONS

Burkeen Manufacturing Company, "TP16 Trencher-Plow", brochure, Olive Branch, Mississippi.

(Continued)

Primary Examiner—Stella M. Reid
Assistant Examiner—Mark A Goodwin
(74) *Attorney, Agent, or Firm*—Tomlinson & O'Connell, PC

(57) **CLAIM**

The ornamental design for an articulated dumper, as shown and described.

DESCRIPTION

FIG. 1 is a left side view of an articulated dumper showing our new design;

FIG. 2 is an enlarged rear view thereof;

FIG. 3 is an enlarged front view thereof;

FIG. 4 is a right side view thereof;

FIG. 5 is a top view thereof;

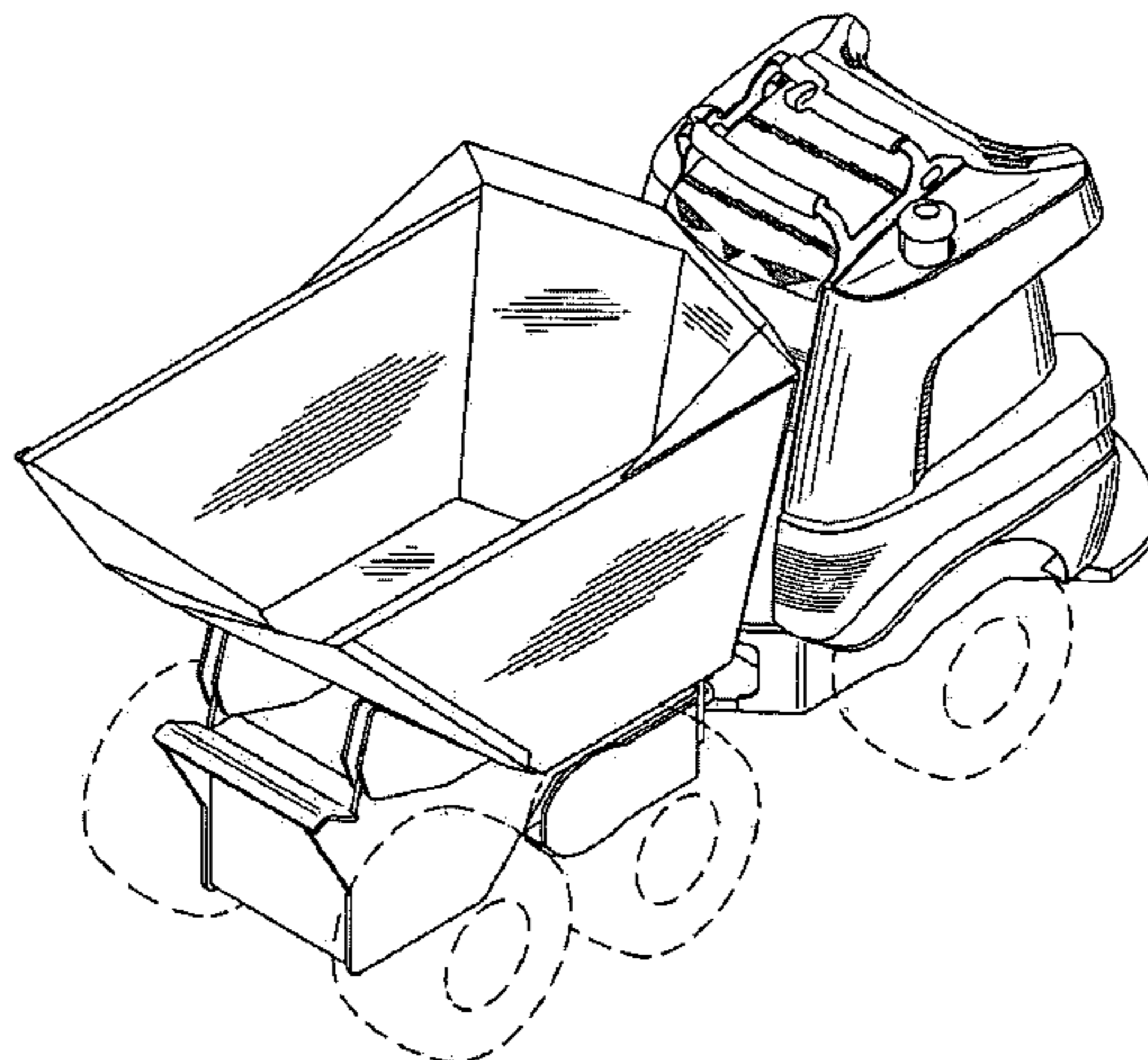
FIG. 6 is a bottom view thereof;

FIG. 7 is a front top left perspective view thereof; and,

FIG. 8 is a front top right perspective view.

The broken line showing of the wheels is included for the purpose of illustrating portions of the articulated dumper and forms no part of the claimed design.

1 Claim, 8 Drawing Sheets



US D572,274 S

Page 2

U.S. PATENT DOCUMENTS

D319,063	S *	8/1991	Warren	D15/21	6,848,526	B2 *	2/2005	Burt et al.	180/69.4
5,212,896	A *	5/1993	Hillard et al.	37/355	6,860,043	B1 *	3/2005	Heise et al.	37/352
5,228,221	A *	7/1993	Hillard et al.	37/355	6,889,793	B2 *	5/2005	Okada et al.	180/435
D359,497	S *	6/1995	Rayner	D15/25	6,955,404	B1 *	10/2005	Best et al.	298/1 C
D410,313	S *	5/1999	Dombek et al.	D34/19	6,962,209	B2 *	11/2005	Isaman et al.	172/19
D431,574	S *	10/2000	Porter	D15/25	6,997,667	B2 *	2/2006	Hackett et al.	414/685
6,151,811	A	11/2000	Barreto		D555,673	S *	11/2007	Hendron et al.	D15/22
6,155,648	A *	12/2000	Dombek et al.	298/1 C	2001/0000641	A1 *	5/2001	Dombek et al.	298/7
D438,218	S *	2/2001	McIlwraith	D15/25	2001/0040405	A1 *	11/2001	Jansen et al.	298/1 C
6,322,151	B2 *	11/2001	Dombek et al.	298/1 C	2003/0095857	A1 *	5/2003	Degelman	414/685
6,397,667	B1	6/2002	Fujii		2003/0221399	A1 *	12/2003	Hall	56/2
6,397,967	B1 *	6/2002	McIlwraith	180/308	2006/0119164	A1 *	6/2006	Heskin	298/1 C
6,425,452	B1 *	7/2002	Steiner et al.	180/233	2007/0131437	A1 *	6/2007	Sewell	172/256
D463,454	S *	9/2002	Miller et al.	D15/22	2007/0132204	A1 *	6/2007	Sewell	280/418
6,578,924	B2 *	6/2003	Jansen et al.	298/1 C						
D479,535	S *	9/2003	Lange	D15/25						
6,619,754	B1 *	9/2003	Dombek et al.	298/1 C						
6,715,579	B1 *	4/2004	Hendron	280/764.1						
6,766,601	B2 *	7/2004	Dickins	37/363						
6,830,111	B2 *	12/2004	Page	172/42						

OTHER PUBLICATIONS

Burkeen Equipment & Supply Company, Walk Behind Trencher/
Plow, advertisement, 1981. Memphis Tennessee.
Davis, "Davis Fleetline 12+2", brochure.

* cited by examiner

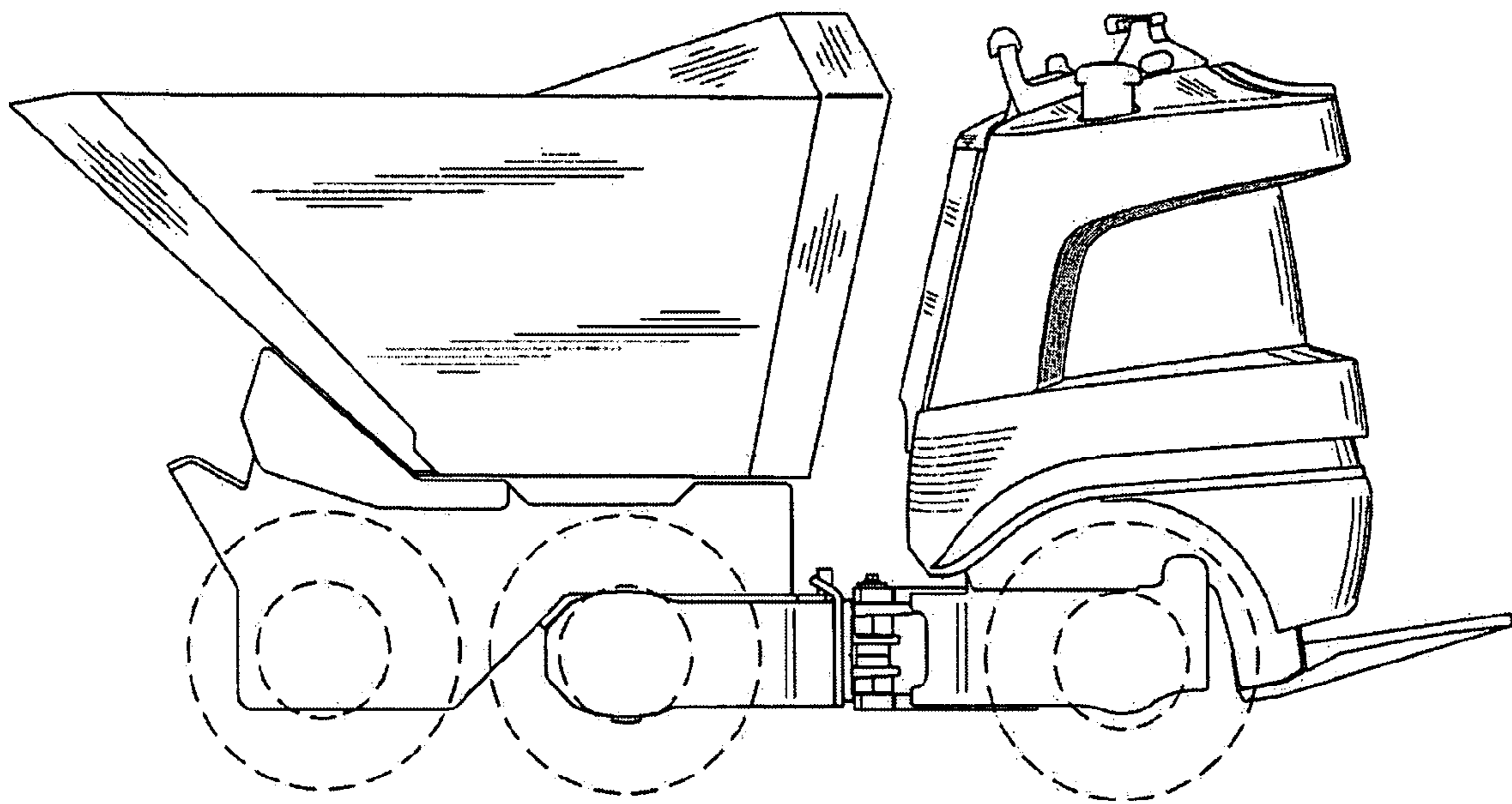


FIGURE 1

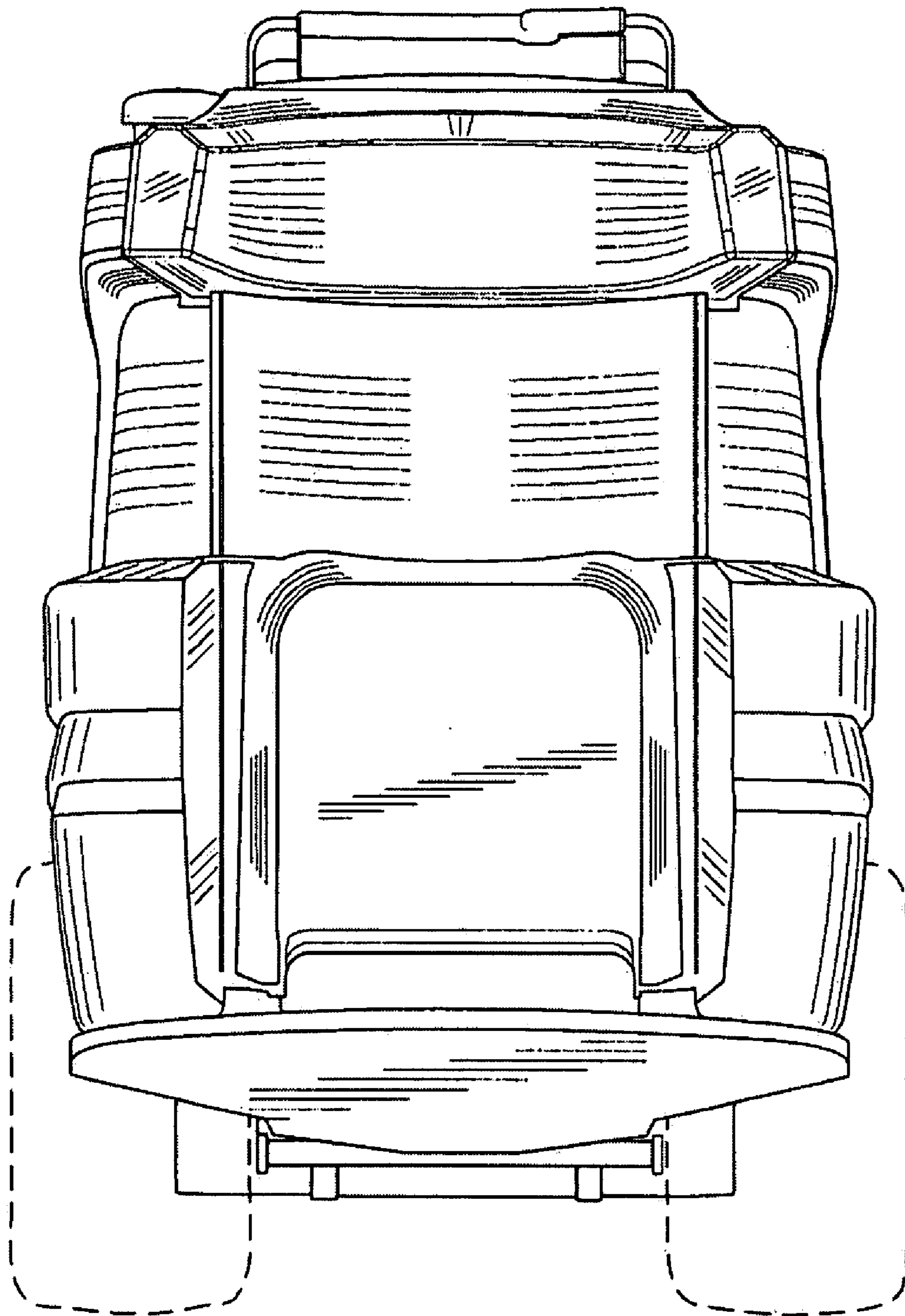


FIGURE 2

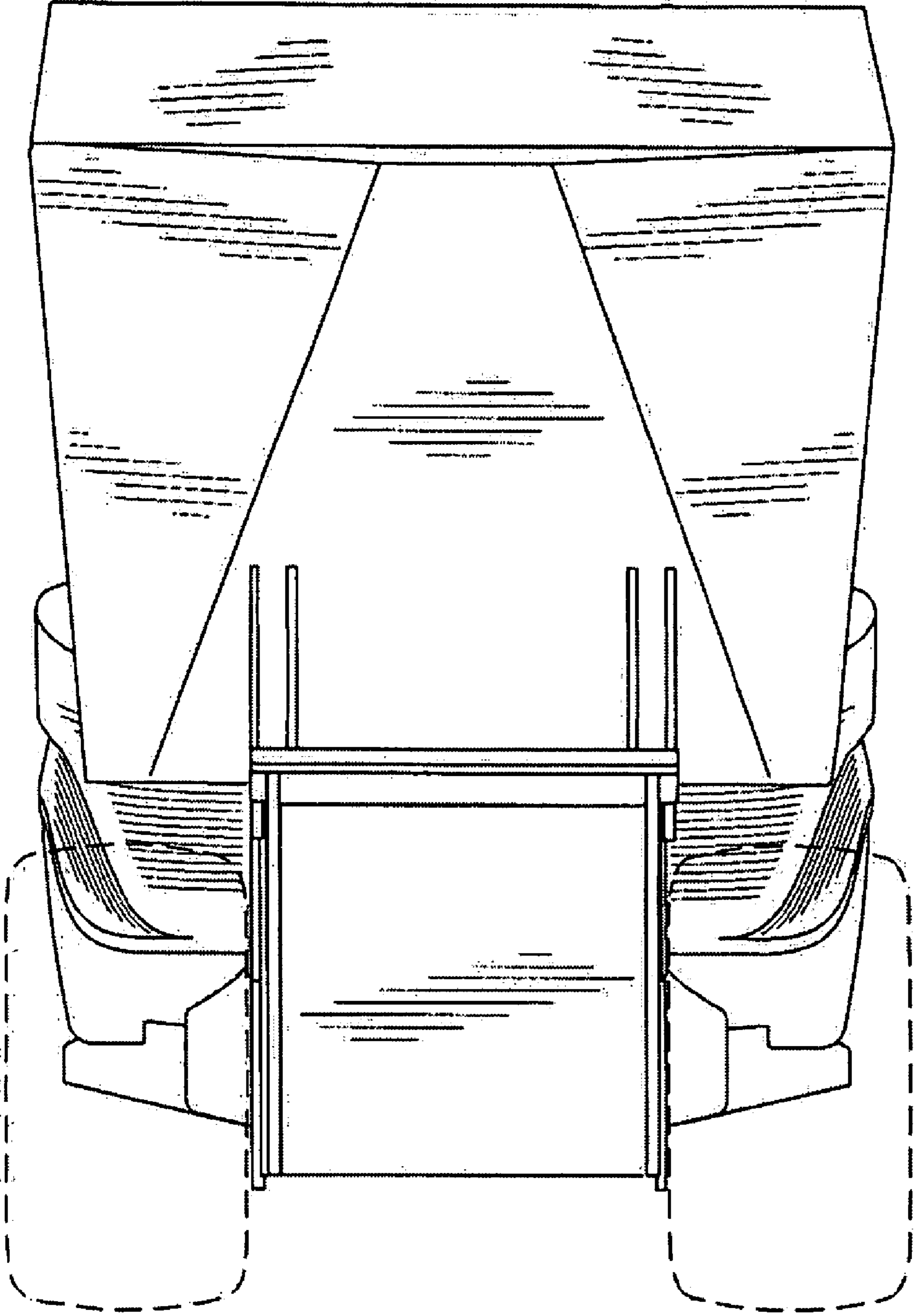


FIGURE 3

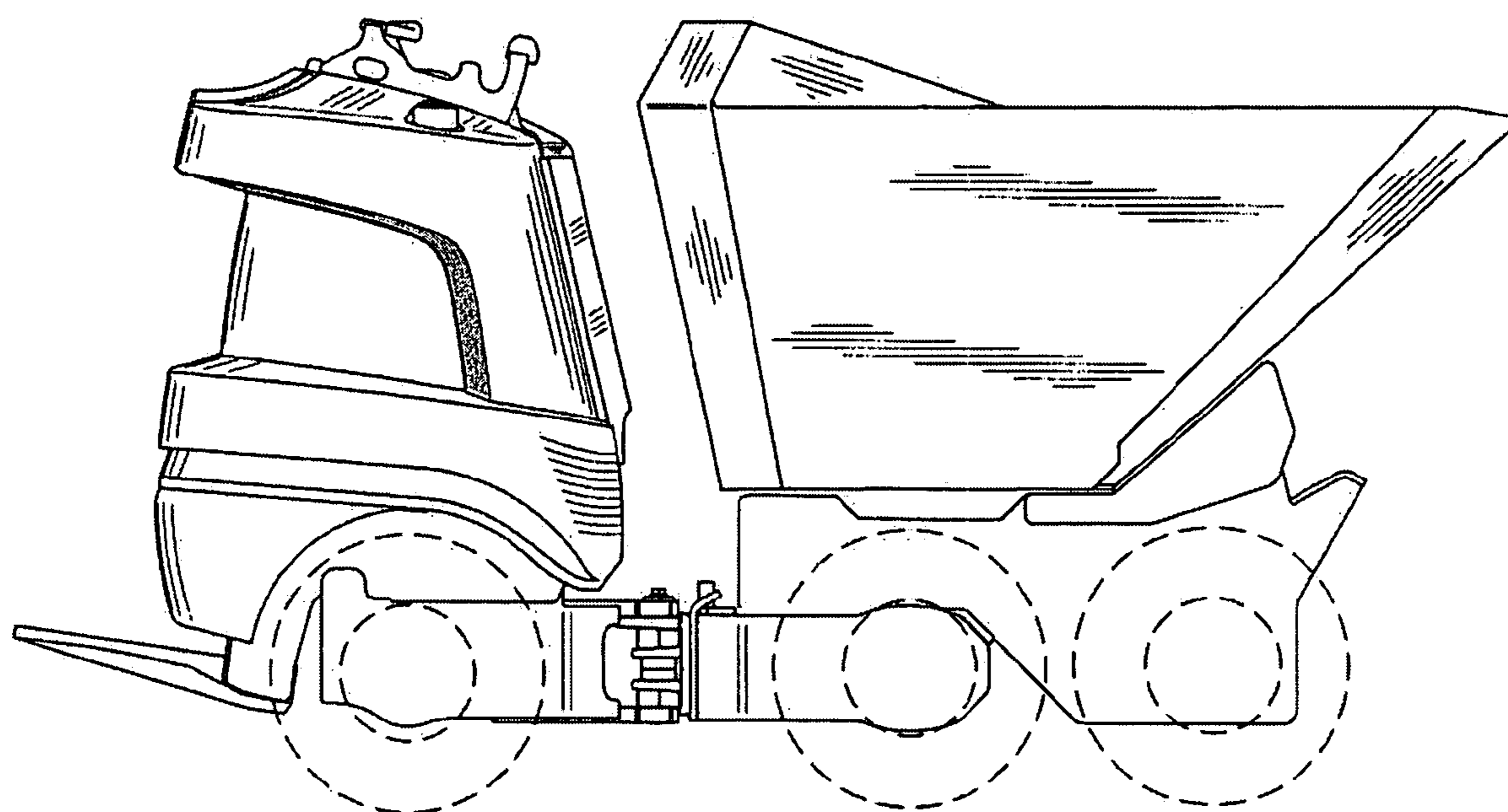


FIGURE 4

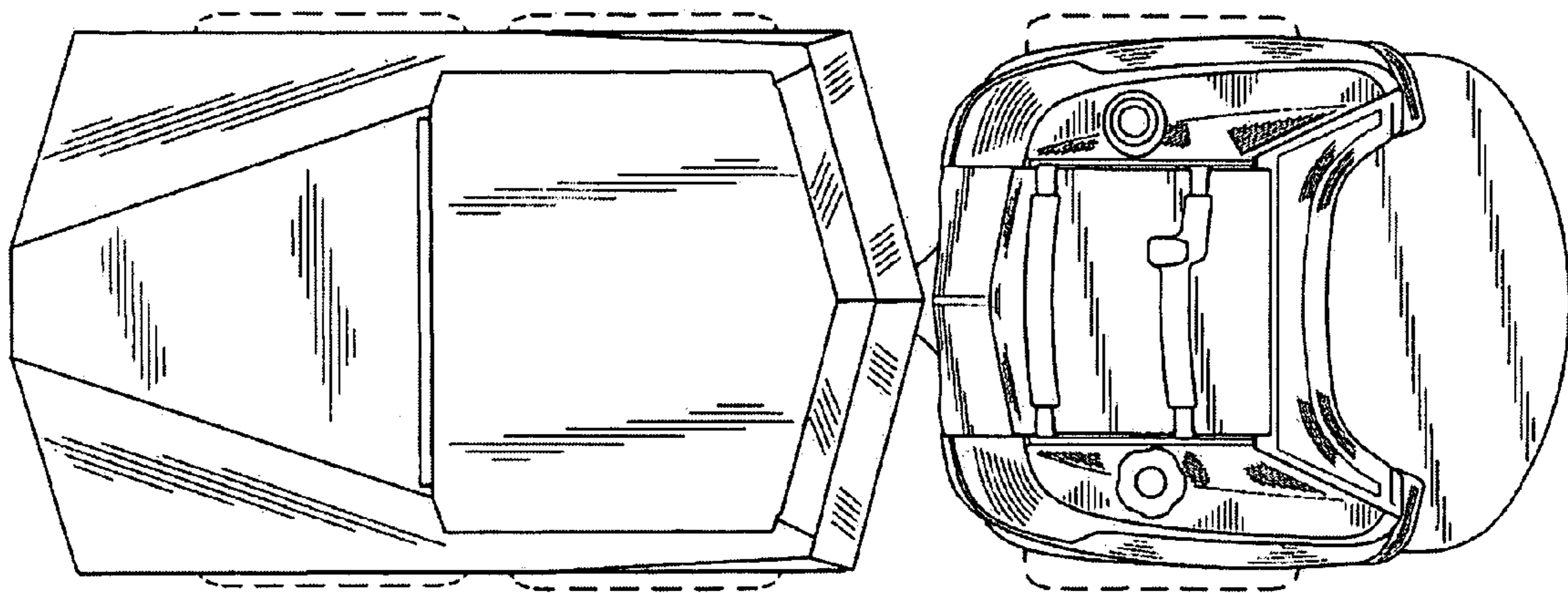


FIGURE 5

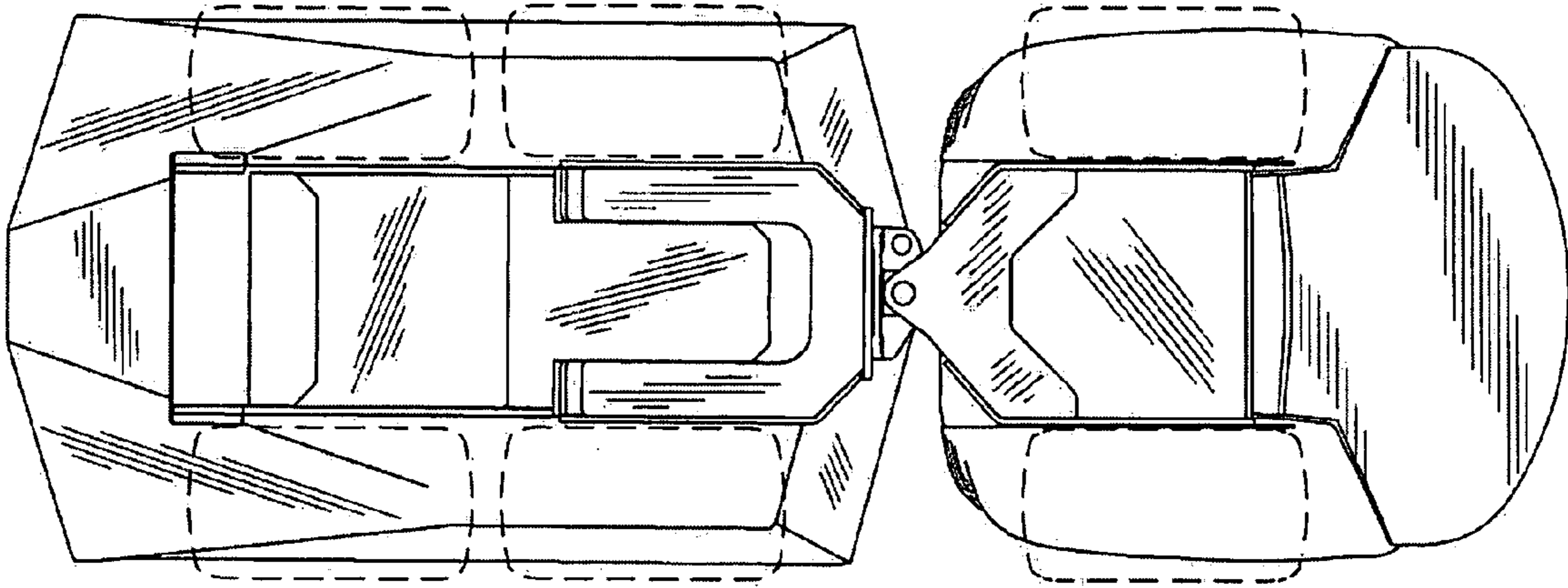


FIGURE 6

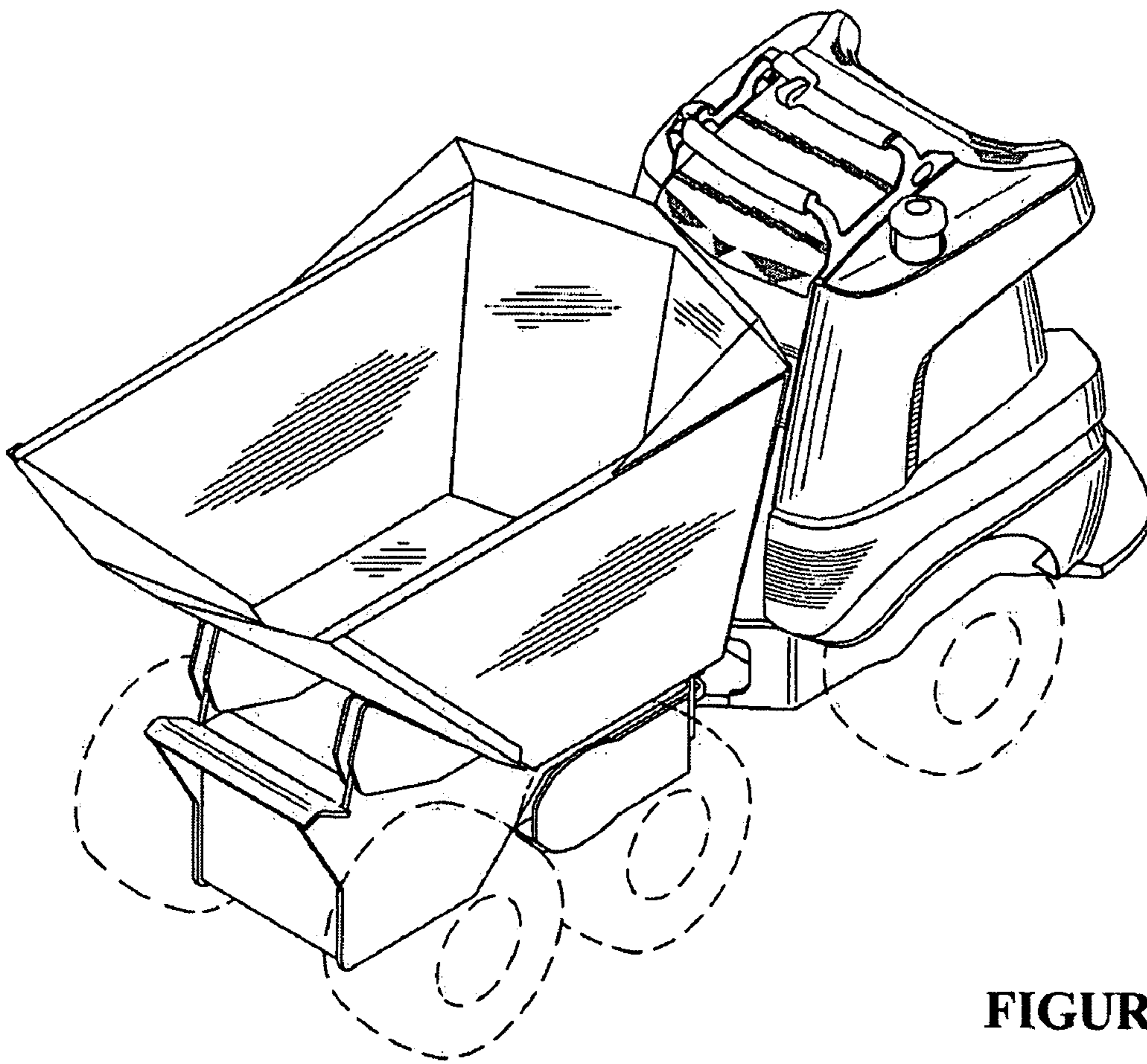


FIGURE 7

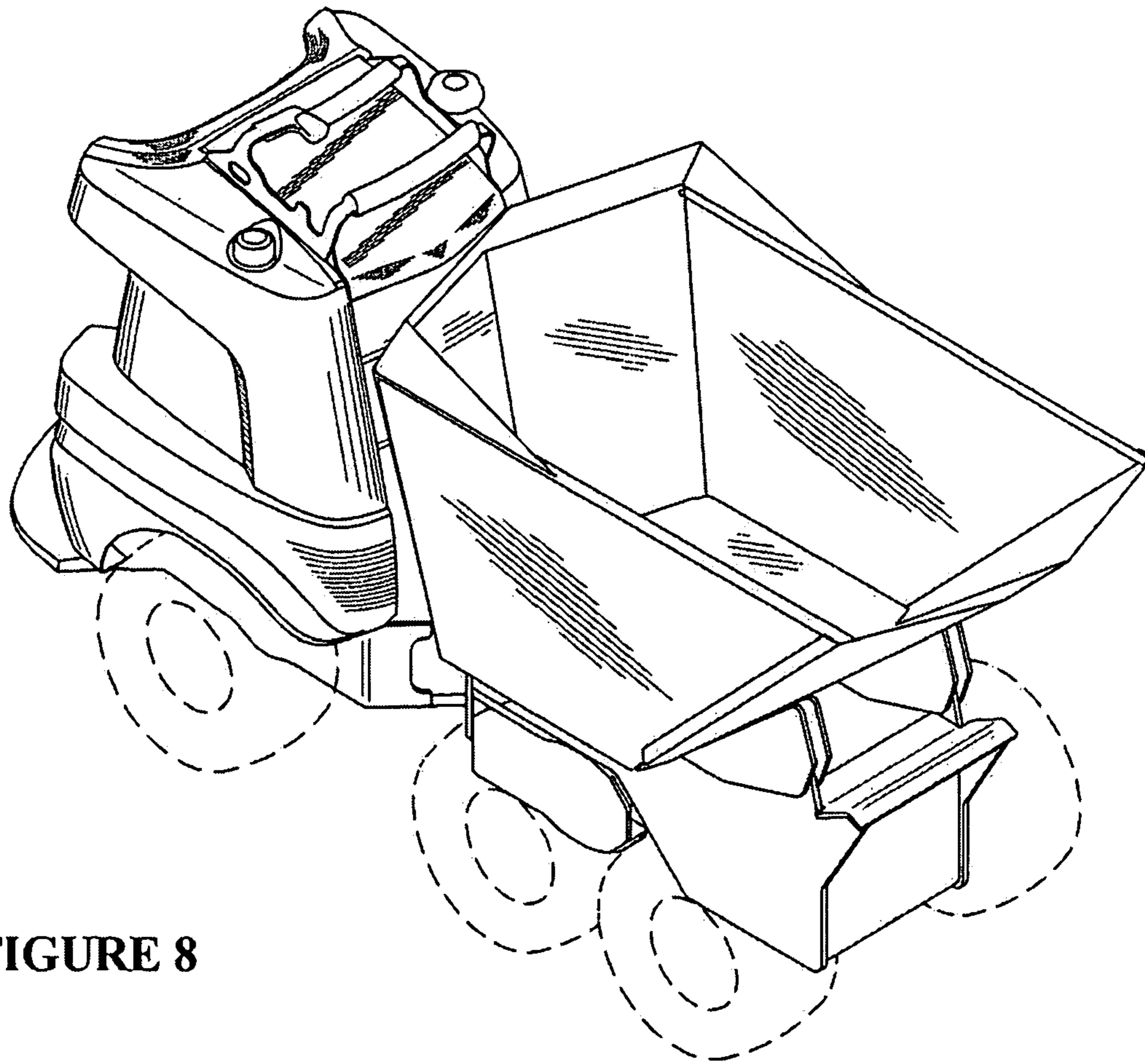


FIGURE 8