



US00D572273S

(12) **United States Design Patent**
Carpenter et al.

(10) **Patent No.:** **US D572,273 S**
(45) **Date of Patent:** **** Jul. 1, 2008**

(54) **PAINT SPRAY PUMP HOUSING**

(75) Inventors: **Scott R. Carpenter**, Rogers, MN (US);
Shawn C. Johnson, Milaca, MN (US);
Eric C. Lagman, Anderson, SC (US);
Thomas E. Kramer, Coon Rapids, MN (US)

(73) Assignee: **Titan Tool, Inc.**, Oakland, NJ (US)

(**) Term: **14 Years**

(21) Appl. No.: **29/296,395**

(22) Filed: **Oct. 19, 2007**

(51) **LOC (8) Cl.** **15-02**

(52) **U.S. Cl.** **D15/7**

(58) **Field of Classification Search** D15/7-9;
D23/231, 232, 225; 417/410.1, 359, 415-416,
417/234, 321, 265, 405

See application file for complete search history.

(56) **References Cited**

U.S. PATENT DOCUMENTS

D295,181 S * 4/1988 Vitaloni D15/9
D327,891 S * 7/1992 Morgan D15/9

D476,996 S * 7/2003 Amit et al. D15/7
D512,442 S * 12/2005 Moser, III D15/9
D518,068 S * 3/2006 Rodopoulos D15/7
D548,751 S * 8/2007 Snider D15/7
D557,708 S * 12/2007 Carpenter et al. D15/7

* cited by examiner

Primary Examiner—R. Seifert

(74) *Attorney, Agent, or Firm*—Faegre & Benson LLP

(57) **CLAIM**

The ornamental design for a paint spray pump housing, as shown.

DESCRIPTION

FIG. 1 is a perspective view of a paint spray pump housing of the present invention.

FIG. 2 is right hand side view of the present invention.

FIG. 3 is a left hand side view of the present invention.

FIG. 4 is a front view of the present invention.

FIG. 5 is a rear view of the present invention.

FIG. 6 is a top view of the present invention; and,

FIG. 7 is a bottom view of the present invention.

1 Claim, 7 Drawing Sheets

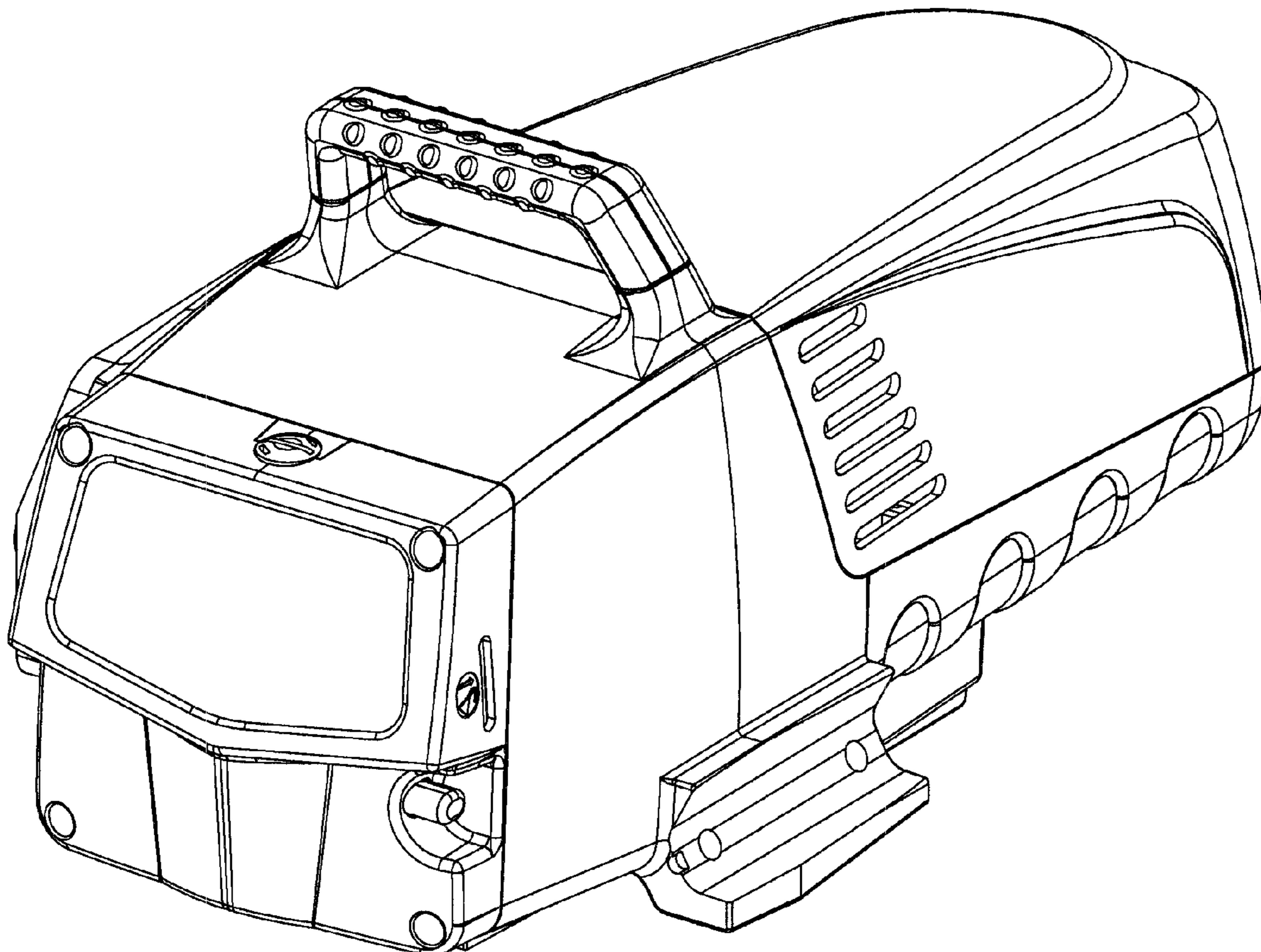


FIG. 1

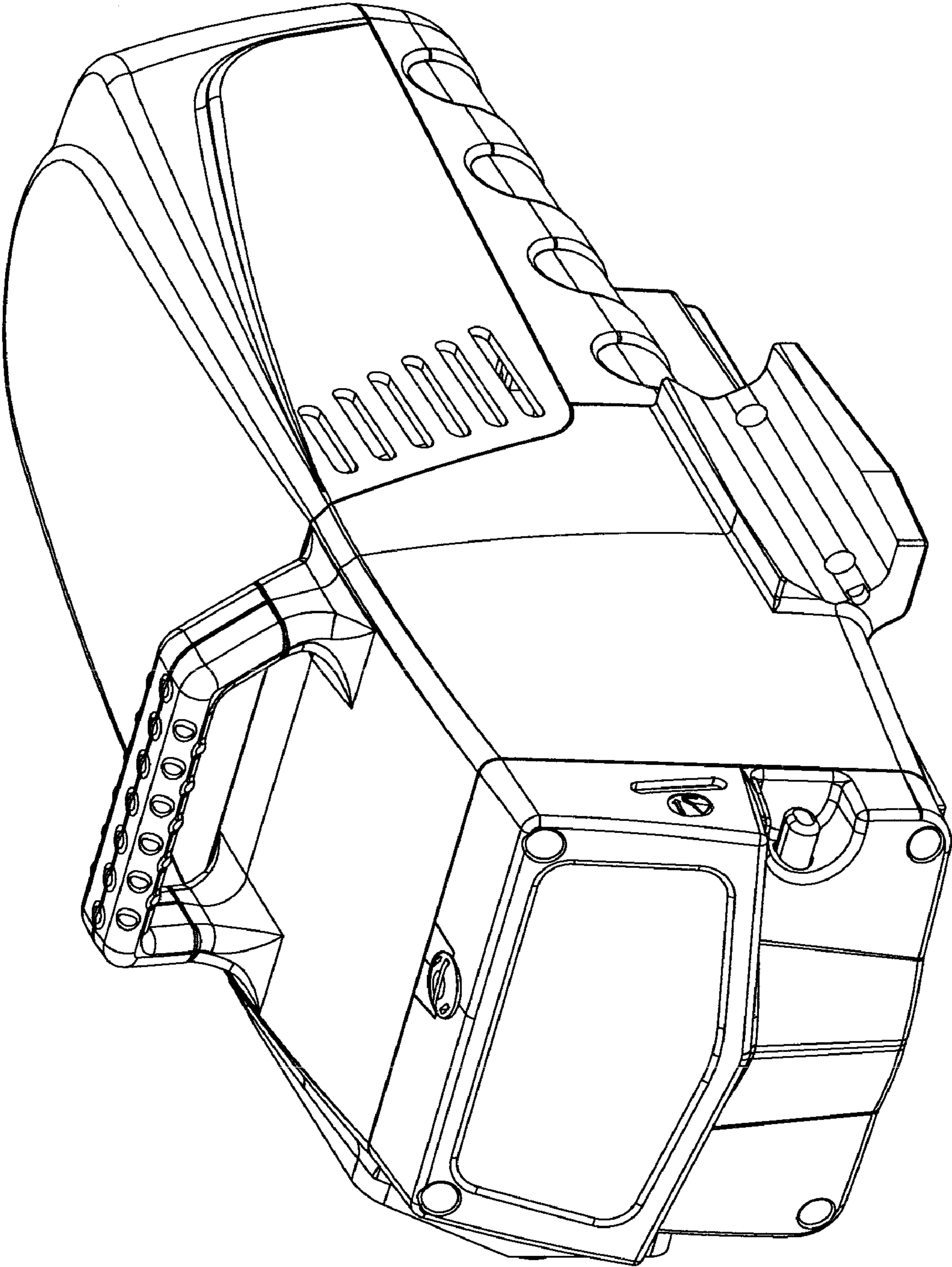


FIG. 2

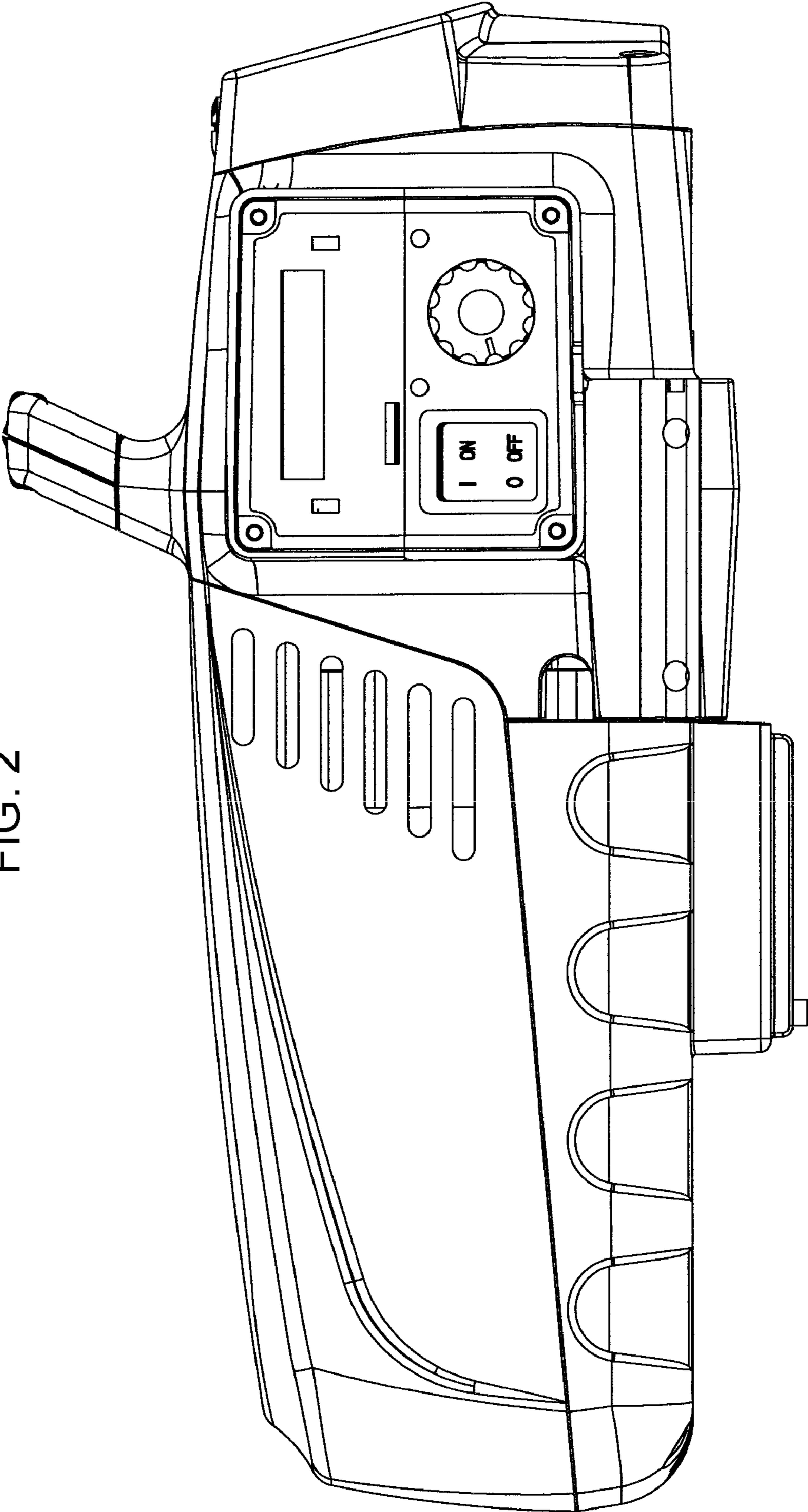


FIG. 3

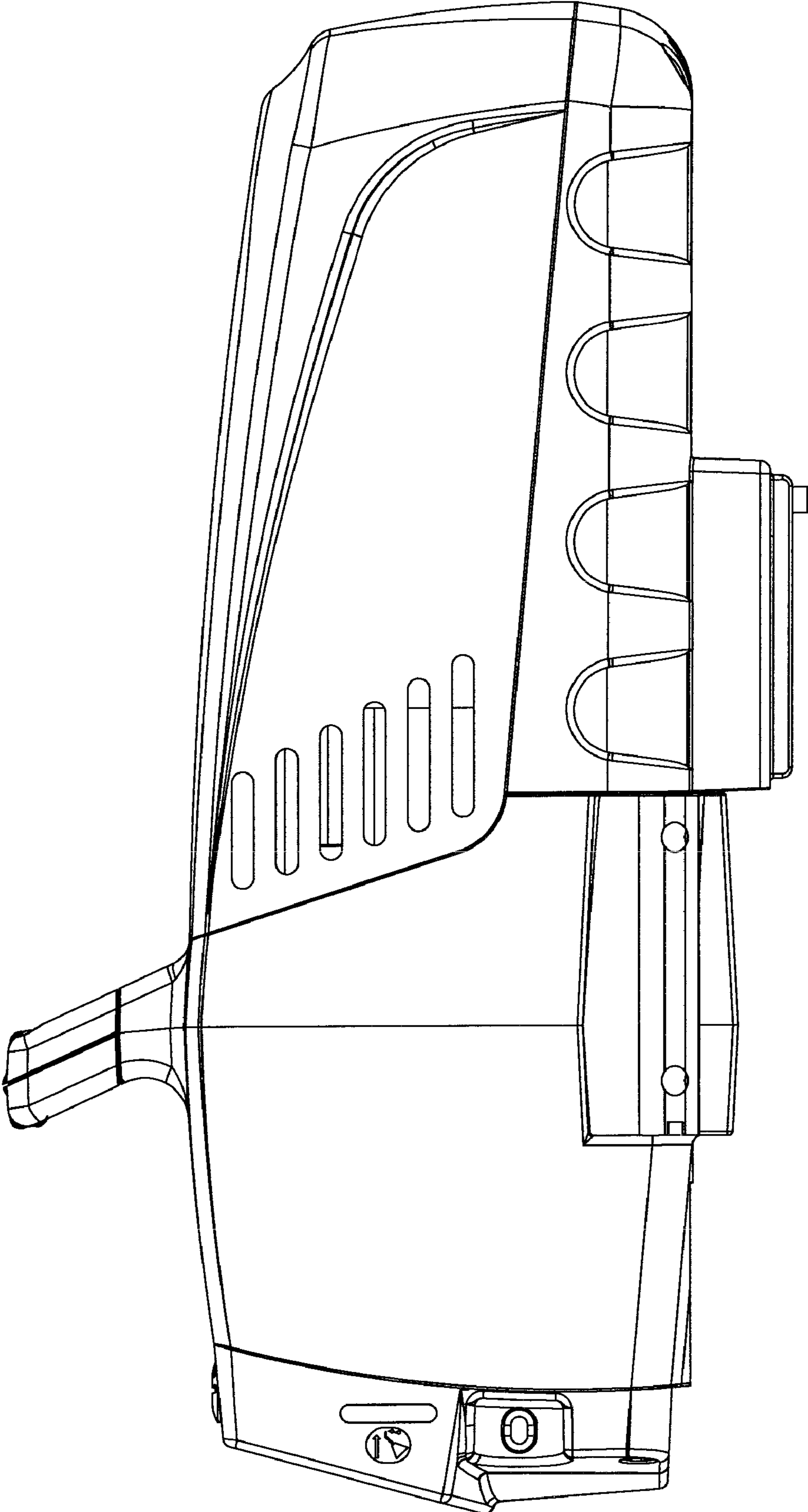


FIG. 4

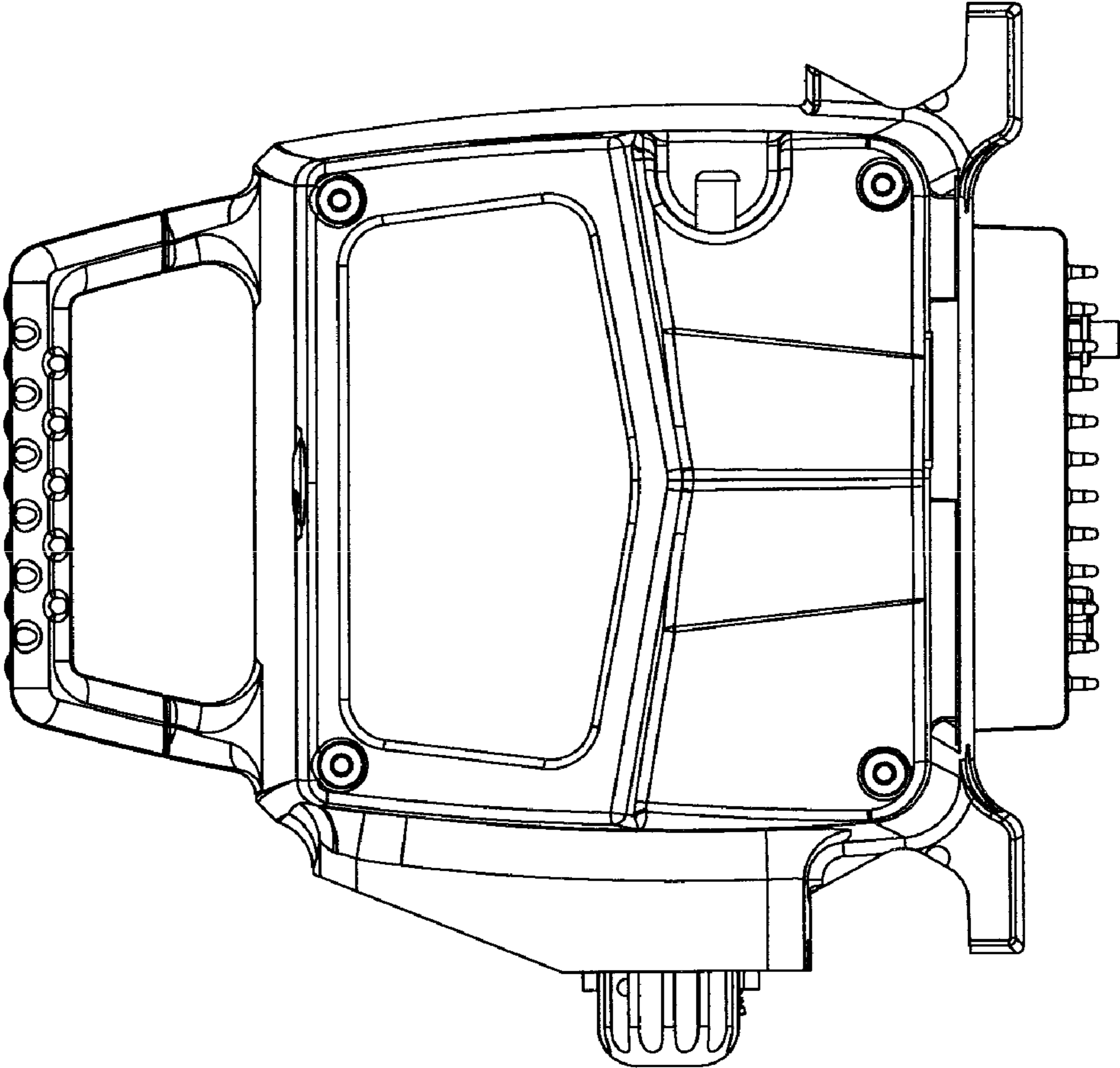
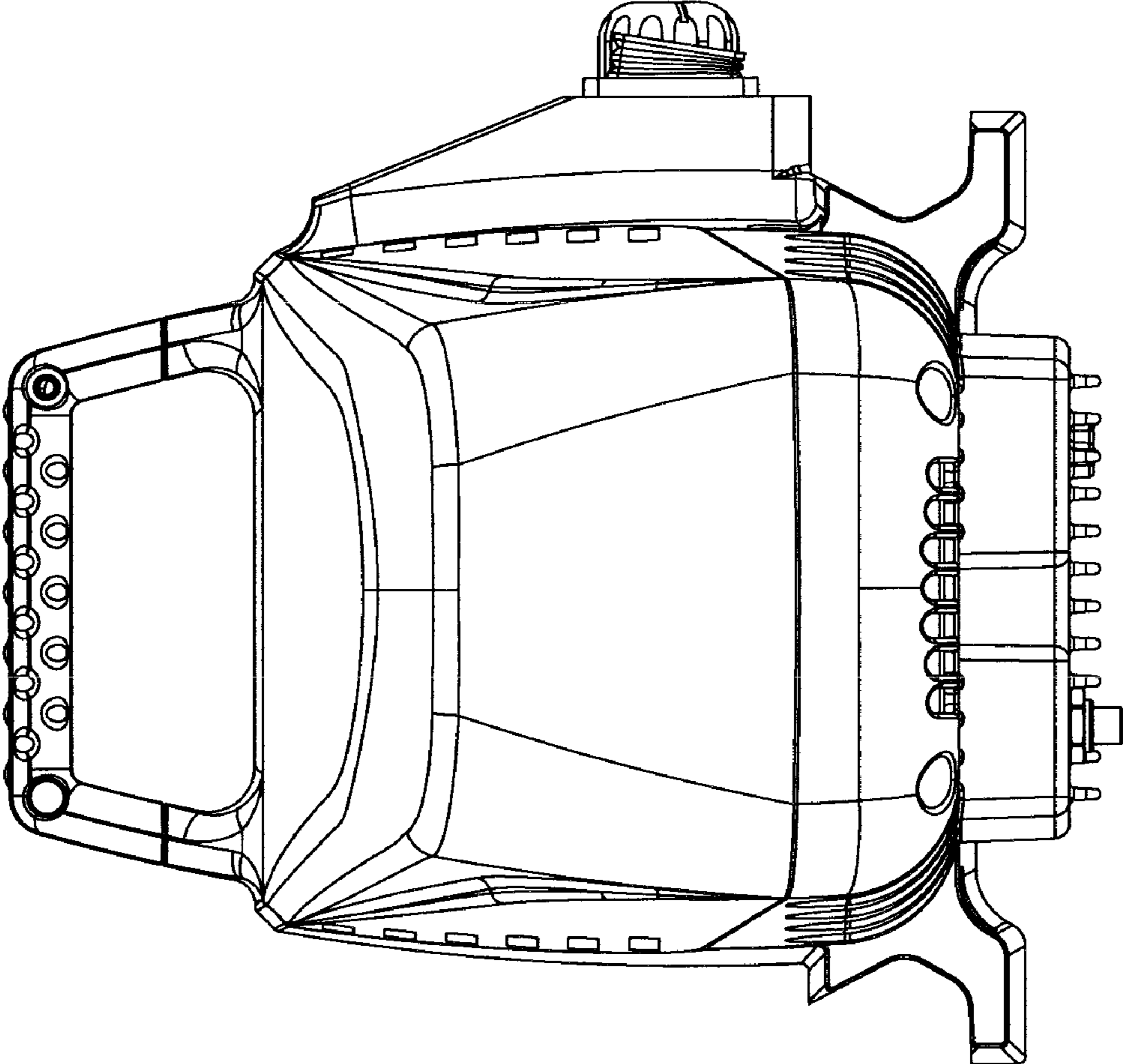


FIG. 5



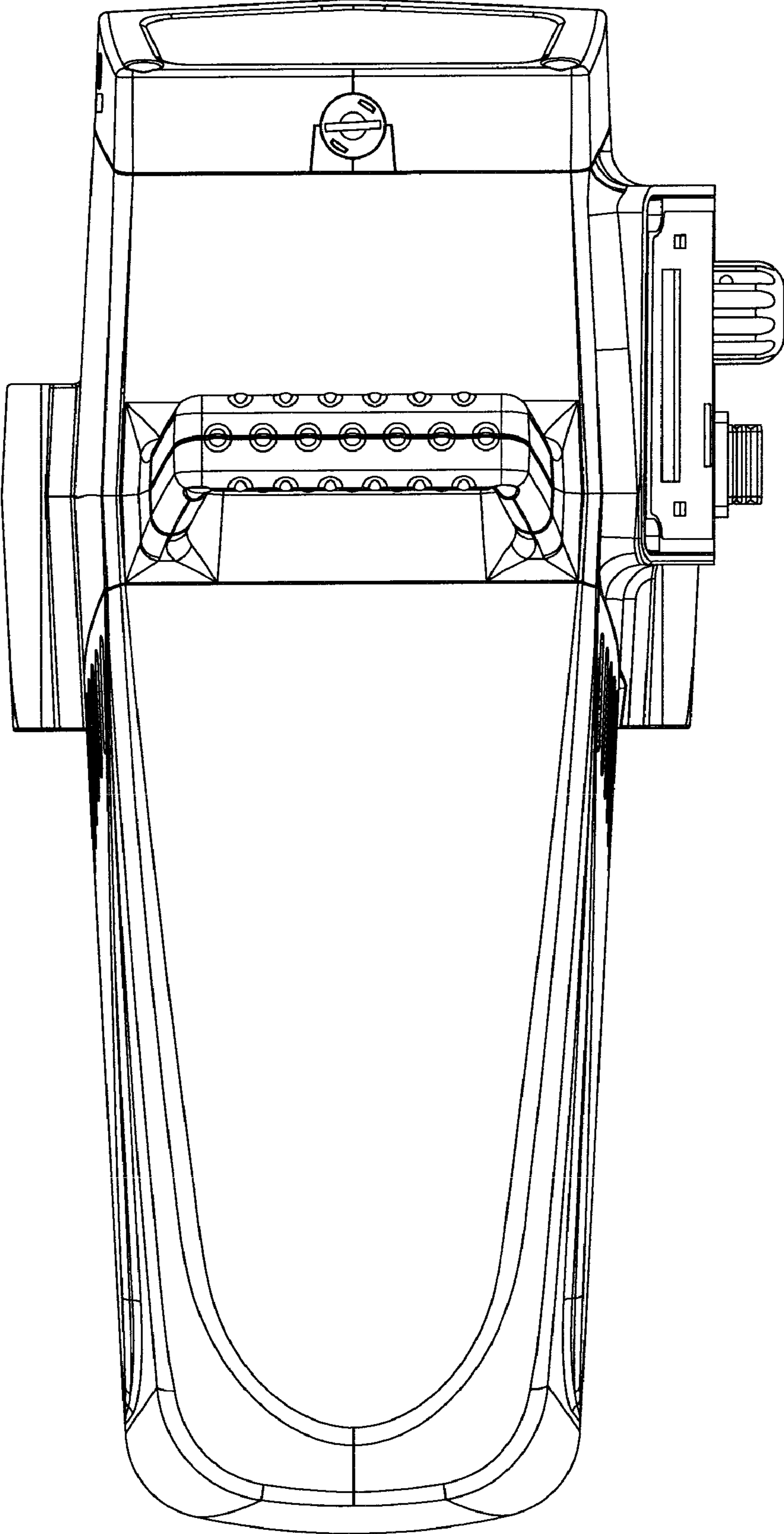


FIG. 6

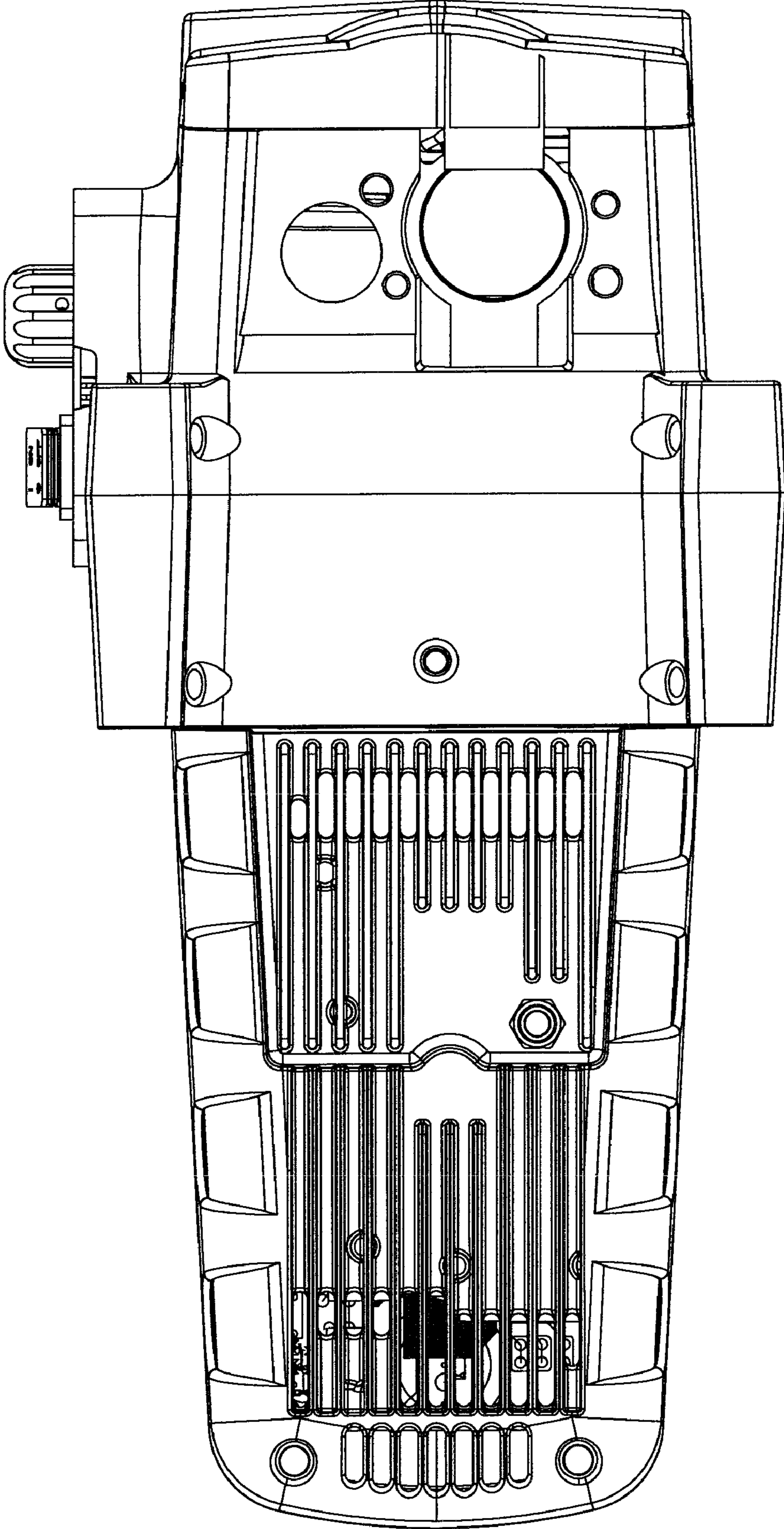


FIG. 7