



US00D572272S

(12) **United States Design Patent**  
**Igarashi et al.**

(10) **Patent No.:** **US D572,272 S**  
(45) **Date of Patent:** **\*\* Jul. 1, 2008**

(54) **BOOSTER REGULATOR**

D520,025 S \* 5/2006 Chu ..... D15/9

(75) Inventors: **Tadashi Igarashi**, Tsukubamirai (JP);  
**Tomoyuki Iwata**, Tsukubamirai (JP)

\* cited by examiner

(73) Assignee: **SMC Corporation**, Chiyoda-ku, Tokyo  
(JP)

*Primary Examiner*—R. Seifert  
(74) *Attorney, Agent, or Firm*—Peter Ganjian

(\*\*) Term: **14 Years**

(57) **CLAIM**

(21) Appl. No.: **29/288,141**

The ornamental design for a booster regulator, as shown and described.

(22) Filed: **May 31, 2007**

(30) **Foreign Application Priority Data**

**DESCRIPTION**

Dec. 4, 2006 (JP) ..... 2006-033368

(51) **LOC (8) Cl.** ..... **15-02**

(52) **U.S. Cl.** ..... **D15/7**

(58) **Field of Classification Search** ..... D15/7-9;  
D23/231; 417/410.1, 359, 415-416, 234,  
417/321, 265, 405

See application file for complete search history.

FIG. 1 shows a front view of a booster regulator showing my new design;

FIG. 2 shows a rear view thereof;

FIG. 3 shows a top view thereof;

FIG. 4 shows a bottom view thereof;

FIG. 5 shows a left side view thereof;

FIG. 6 shows a right side view thereof; and,

FIG. 7 shows a perspective side view thereof.

(56) **References Cited**

**U.S. PATENT DOCUMENTS**

D308,207 S \* 5/1990 Burke ..... D15/7

**1 Claim, 4 Drawing Sheets**

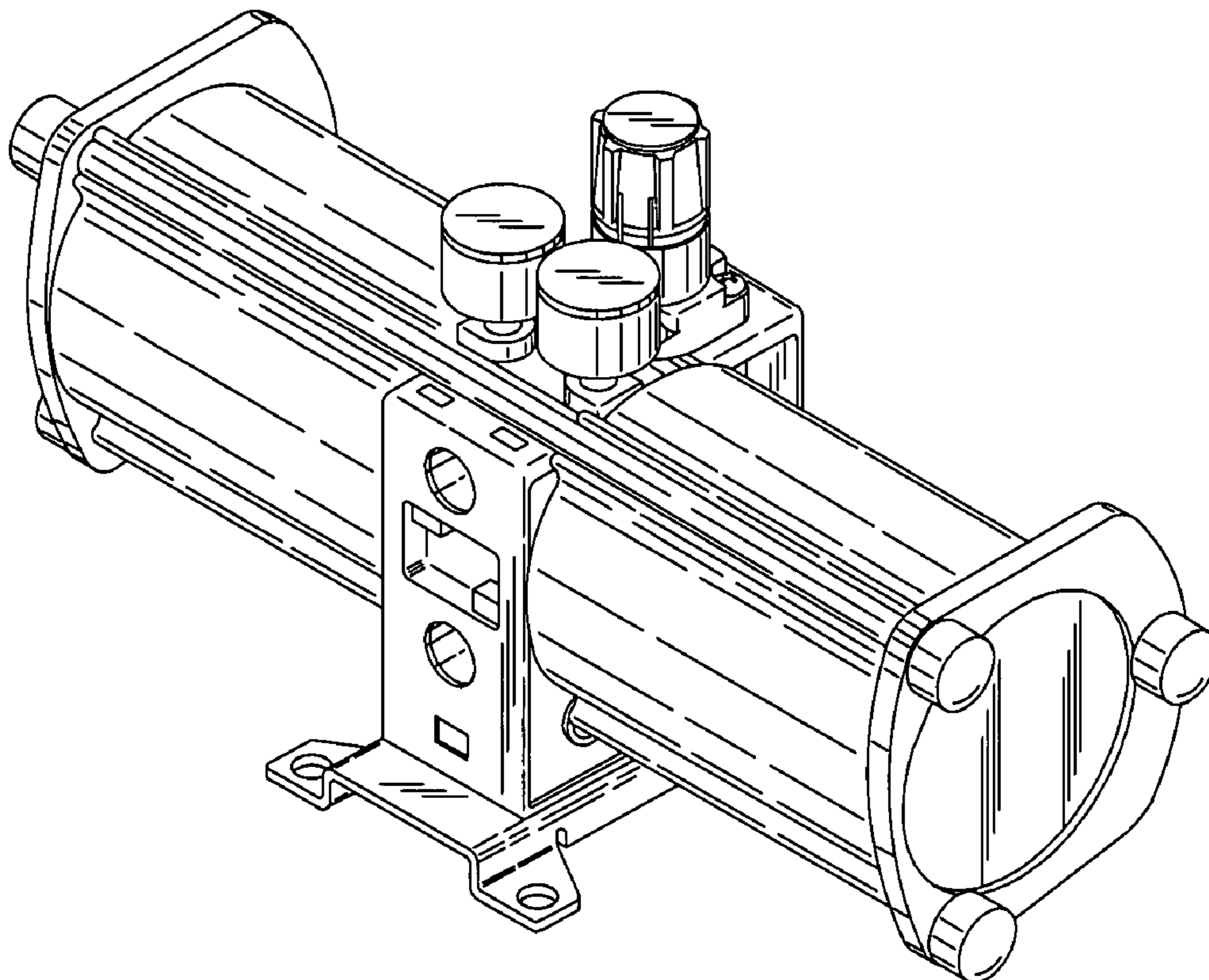


FIG. 1

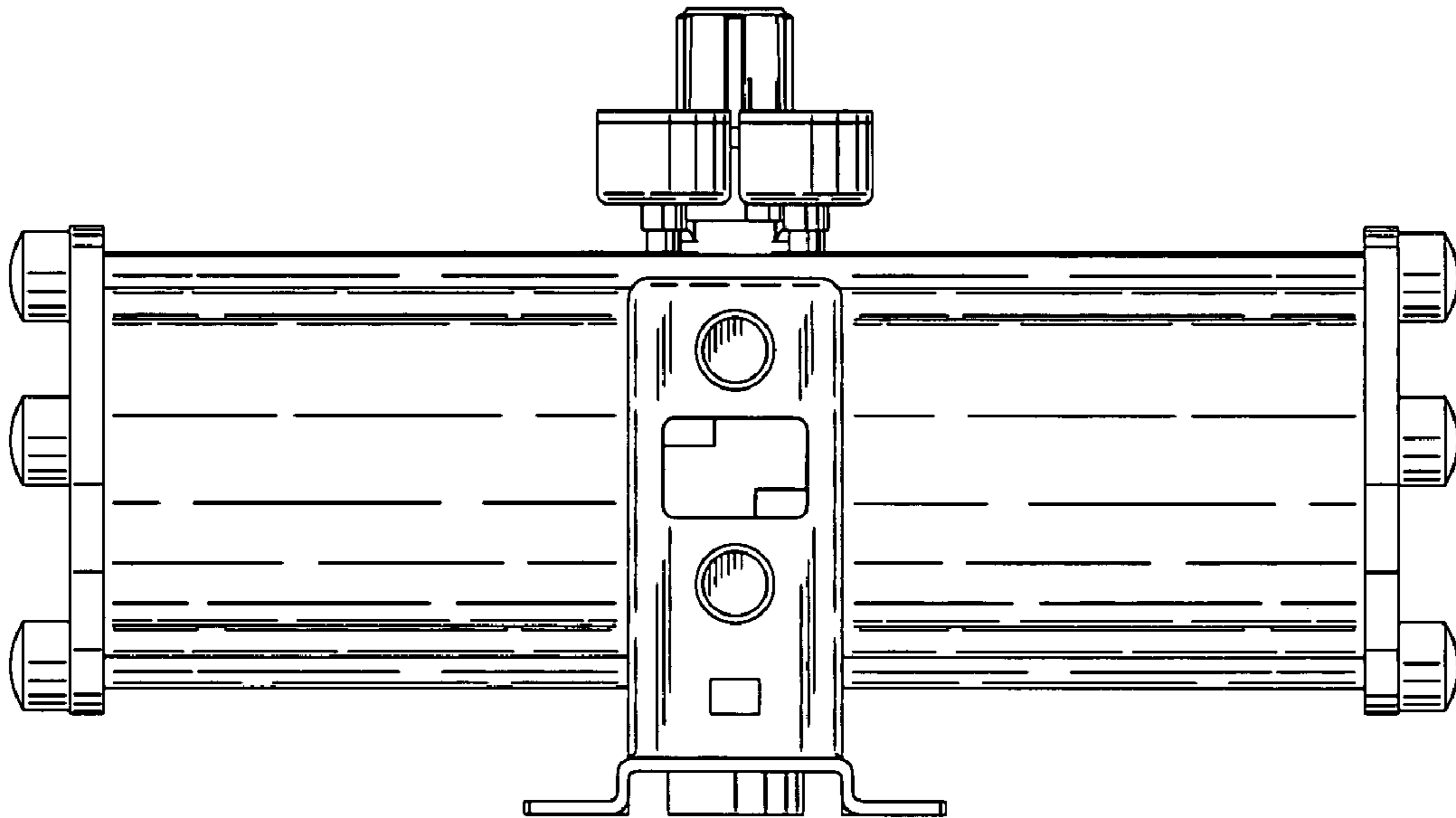


FIG. 2

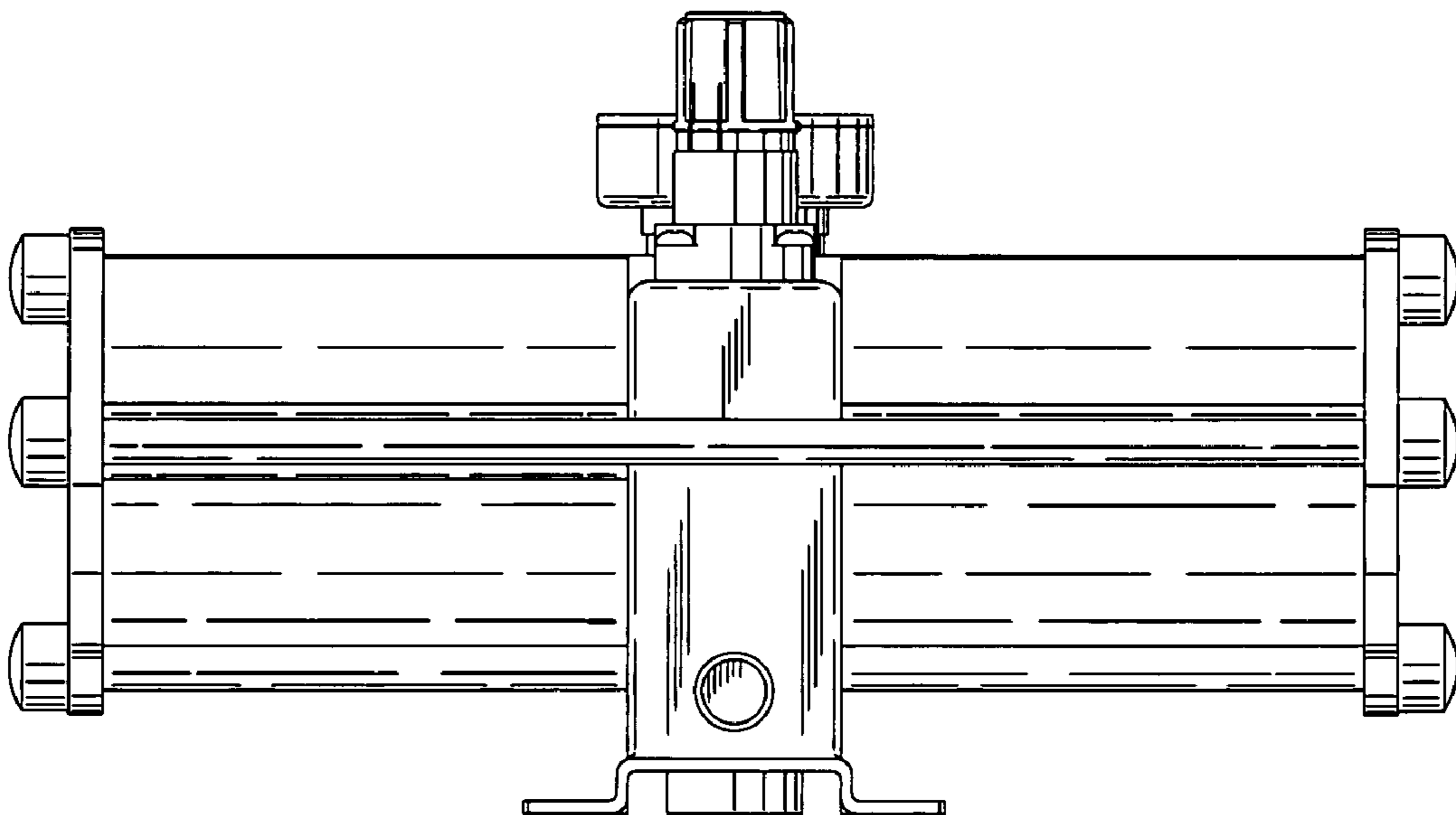


FIG. 3

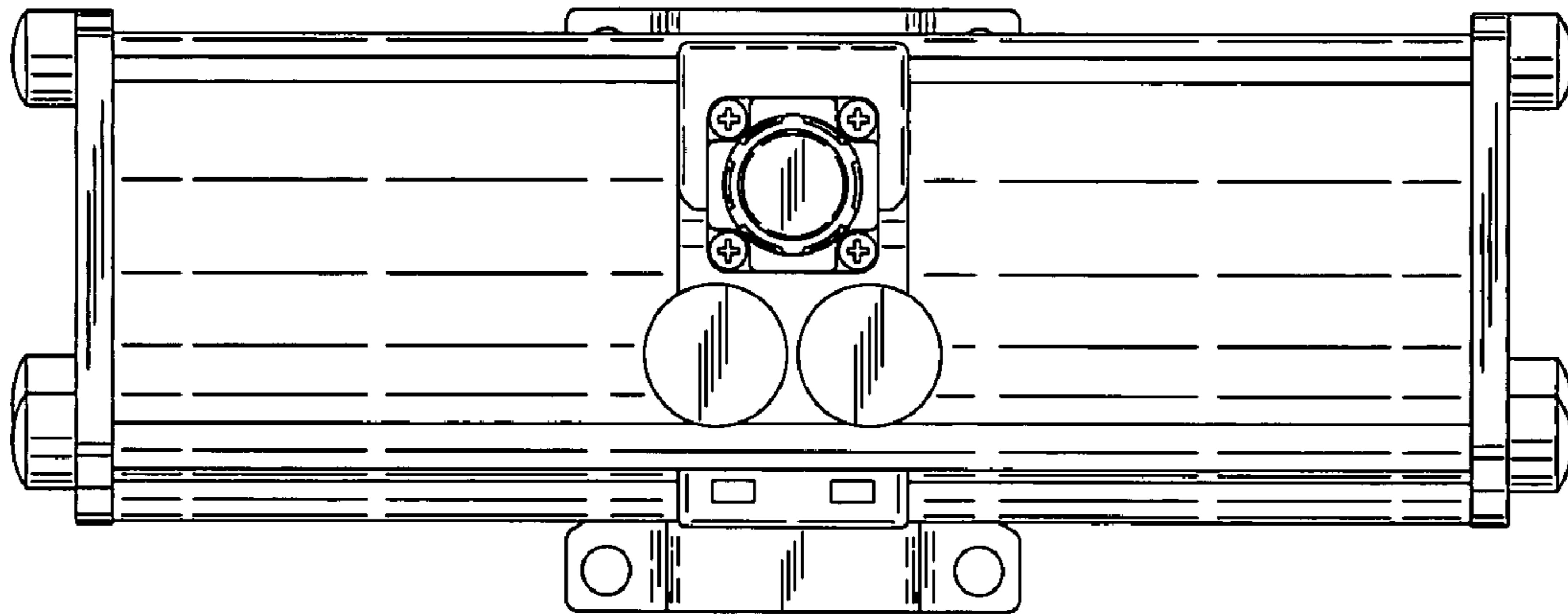


FIG. 4

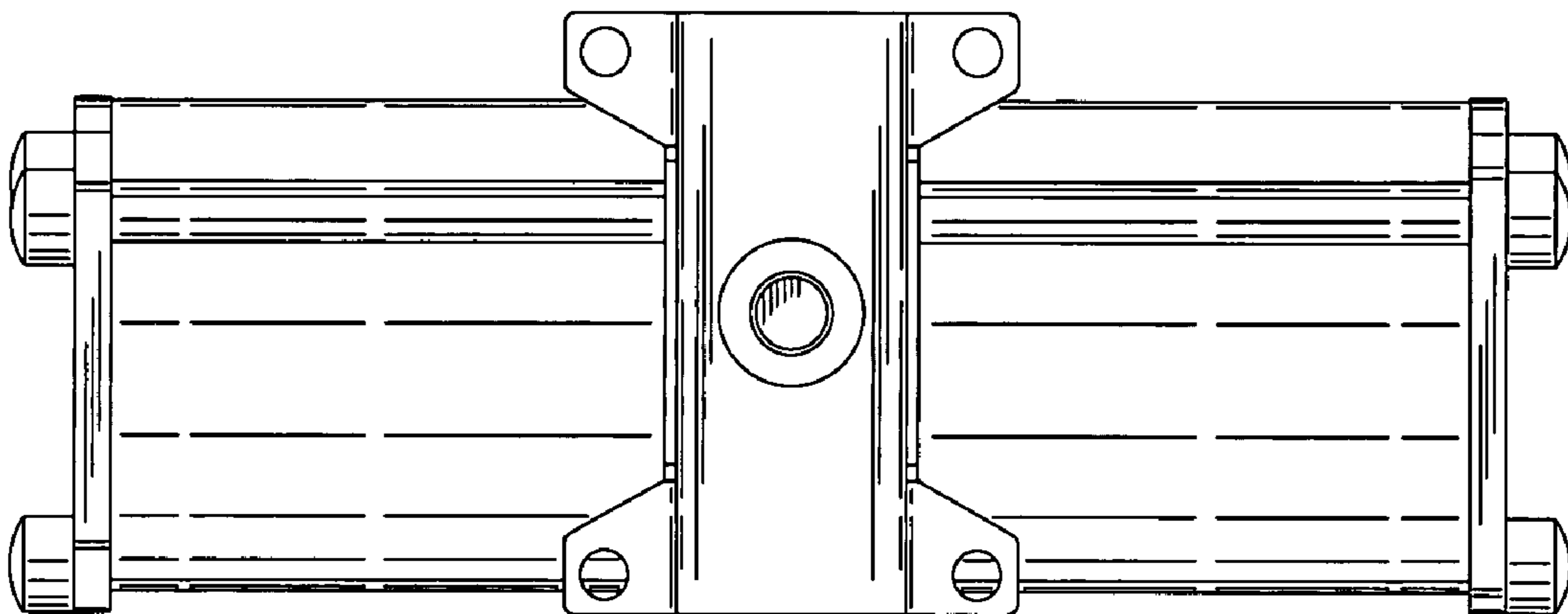


FIG. 5

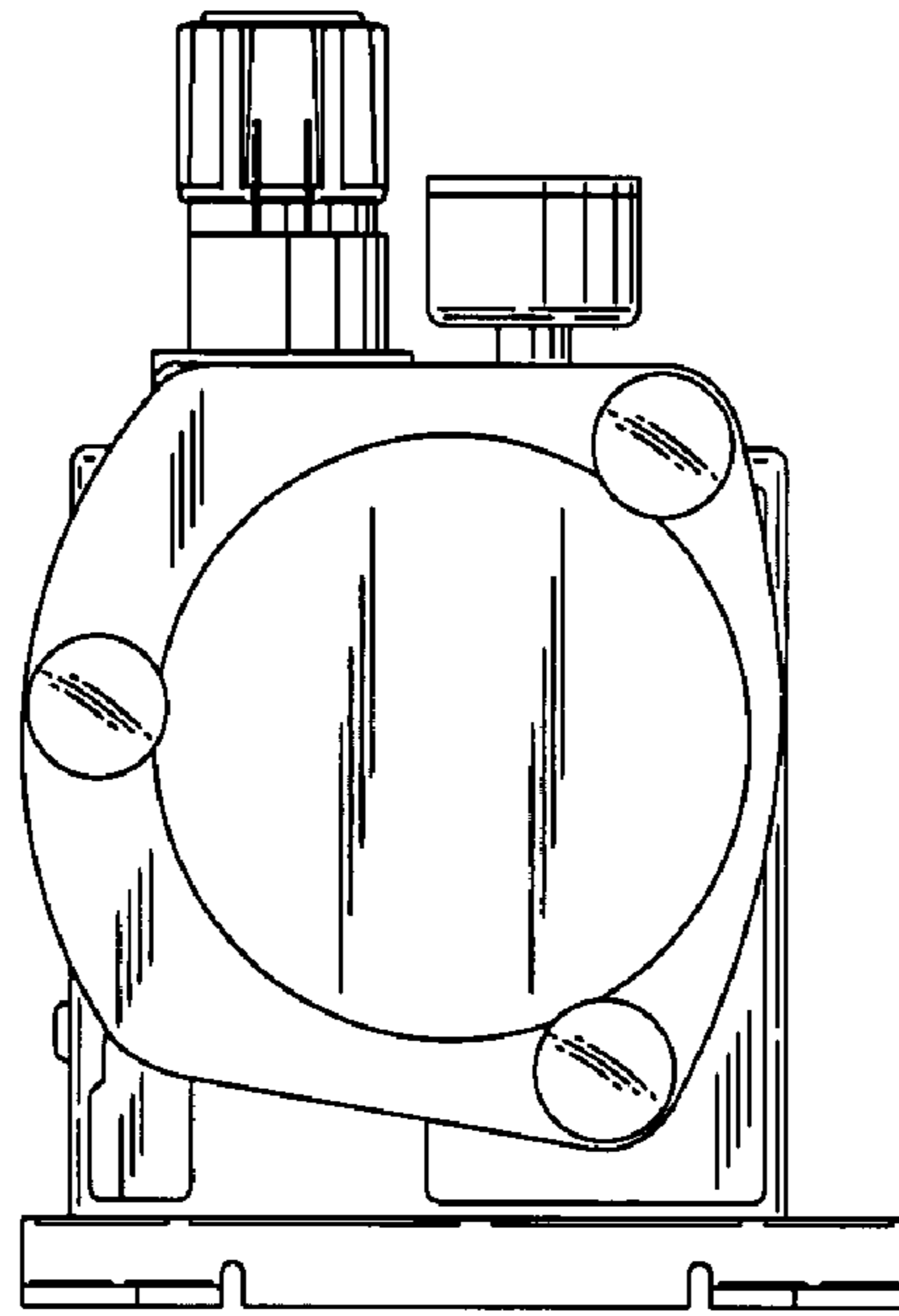


FIG. 6

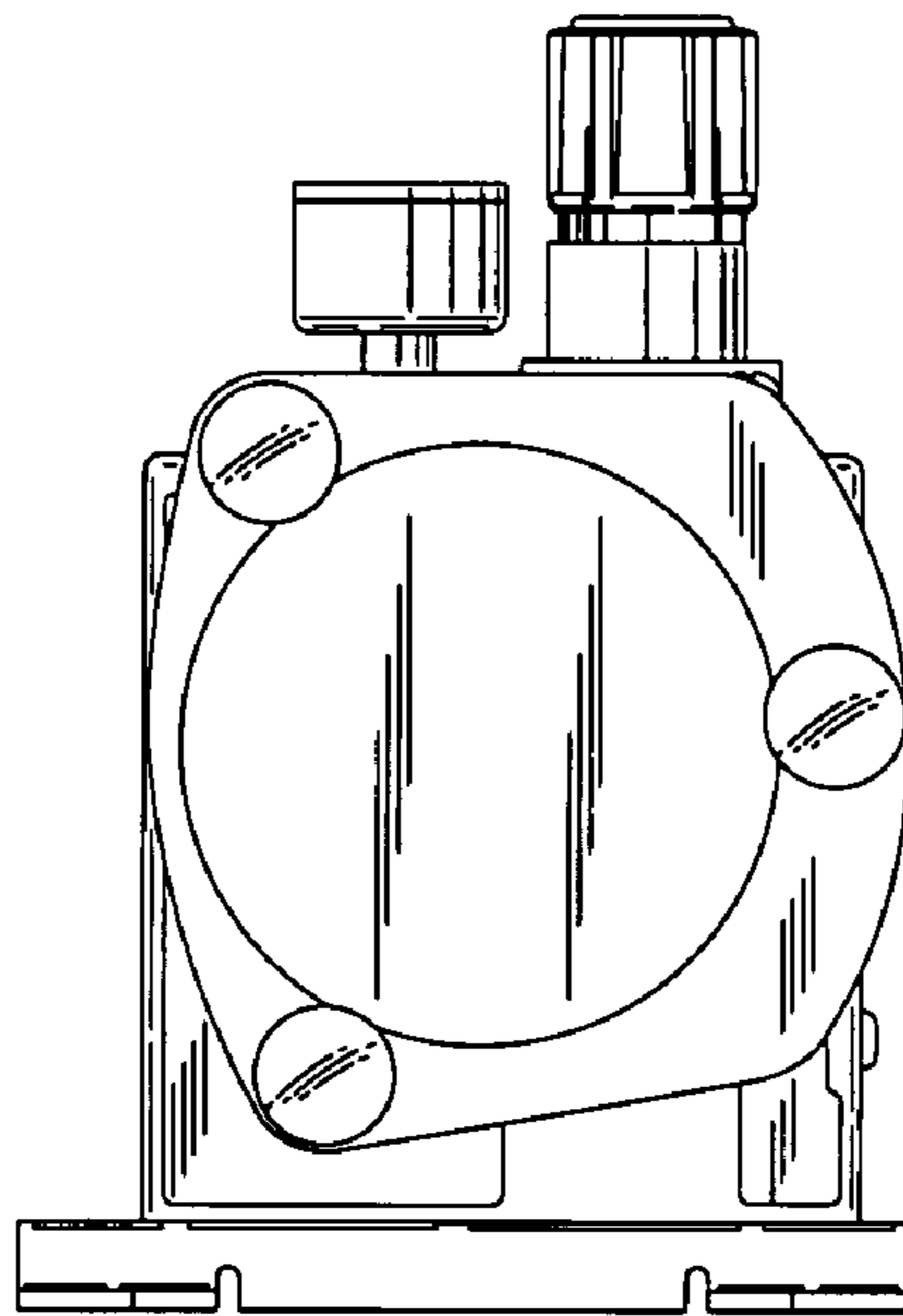


FIG. 7

